



US00D982553S

(12) **United States Design Patent**
Jeong

(10) **Patent No.:** **US D982,553 S**

(45) **Date of Patent:** **** Apr. 4, 2023**

(54) **SPEAKER**

(71) Applicant: **Dreamus Company**, Seoul (KR)

(72) Inventor: **Jong Min Jeong**, Seoul (KR)

(**) Term: **15 Years**

(21) Appl. No.: **35/513,733**

(22) Filed: **Aug. 30, 2021**

(80) **Hague Agreement Data**

Int. Filing Date: **Aug. 30, 2021**

Int. Reg. No.: **DM/216687**

Int. Reg. Date: **Aug. 30, 2021**

Int. Reg. Pub. Date: **Mar. 4, 2022**

(51) **LOC (14) Cl.** **14-01**

(52) **U.S. Cl.**

USPC **D14/215**

(58) **Field of Classification Search**

USPC D14/167, 168, 170–172, 188, 194–197,
D14/203.1–203.8, 204, 209.1, 210–217,
D14/219, 221, 222, 224, 239, 496

CPC B60R 11/0217; G06F 1/1688; G10K 9/22;
G10K 11/004; H03F 1/327; H04M 1/03;
H04M 1/035; H04N 5/642; H04N
21/4852; H04R 1/02; H04R 1/06; H04R
1/021; H04R 1/025; H04R 1/026; H04R
1/028; H04R 1/105; H04R 1/323; H04R
1/403; H04R 1/2803; H04R 1/2834;
H04R 5/02; H04R 7/20; H04R 9/06;
H04R 9/025; H04R 2201/021; H04R
2400/00; H04R 2400/07; H04R 2499/11;
H04R 2499/13; H04R 2499/15; H04S
3/00; H04S 7/30

See application file for complete search history.

(56) **References Cited**

U.S. PATENT DOCUMENTS

D342,522 S *	12/1993	Kurachi	D14/215
D404,036 S *	1/1999	Shin	D14/215
D449,036 S *	10/2001	Weikel	D14/215
D531,617 S *	11/2006	Rozier	D14/215
D691,115 S *	10/2013	Silvera	D14/215
D786,218 S *	5/2017	Tan	D14/215
D856,974 S *	8/2019	Kiong	D14/215
D856,975 S *	8/2019	Bang	D14/215
D856,976 S *	8/2019	Kang	D14/215

* cited by examiner

Primary Examiner — Keli L Hill

(57) **CLAIM**

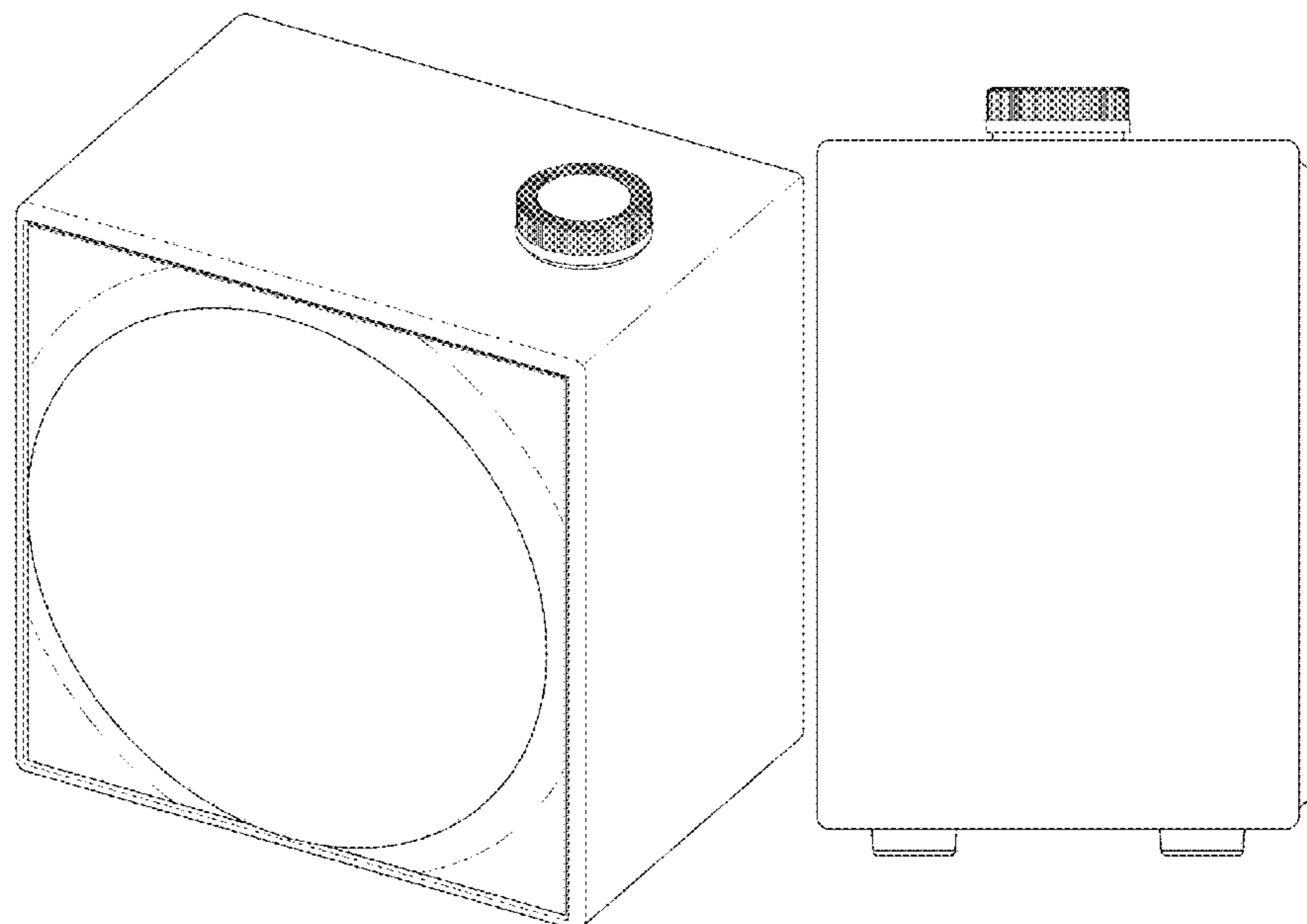
The ornamental design for a speaker, as shown and described.

DESCRIPTION

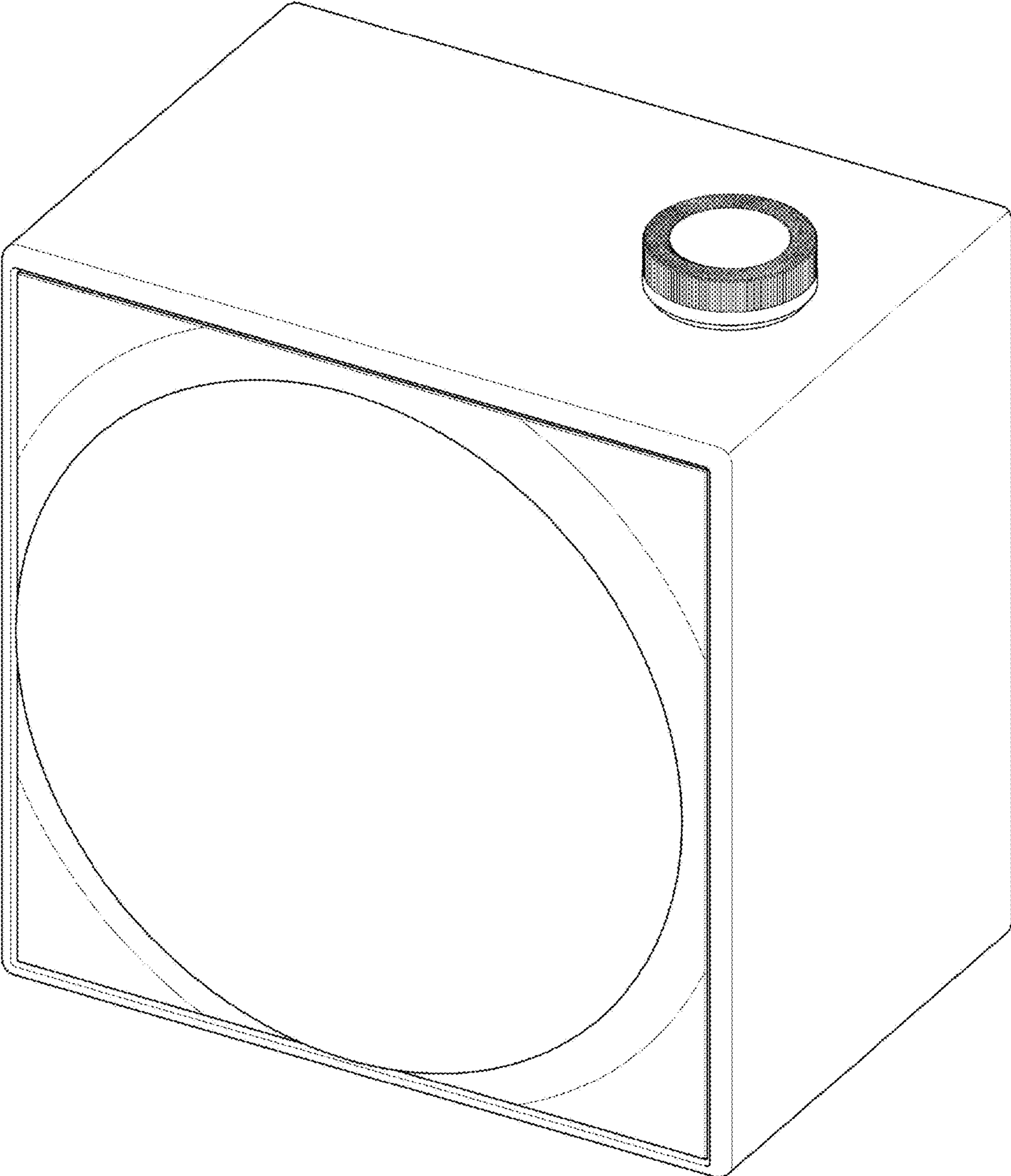
- 1. Speaker
- 1.1 : Perspective
- 1.2 : Perspective
- 1.3 : Front
- 1.4 : Back
- 1.5 : Left
- 1.6 : Right
- 1.7 : Top
- 1.8 : Bottom

The figures illustrate a speaker, which is made of metal and synthetic resin. FIG. 1.1 is a front, right side, top perspective view of a speaker showing a new design; FIG. 1.2 is a rear, left side, bottom perspective view of a speaker showing a new design; FIG. 1.3 is a front view thereof; FIG. 1.4 is a rear view thereof; FIG. 1.5 is a left side view thereof; FIG. 1.6 is a right side view thereof; FIG. 1.7 is a top view thereof; and FIG. 1.8 is a bottom view.

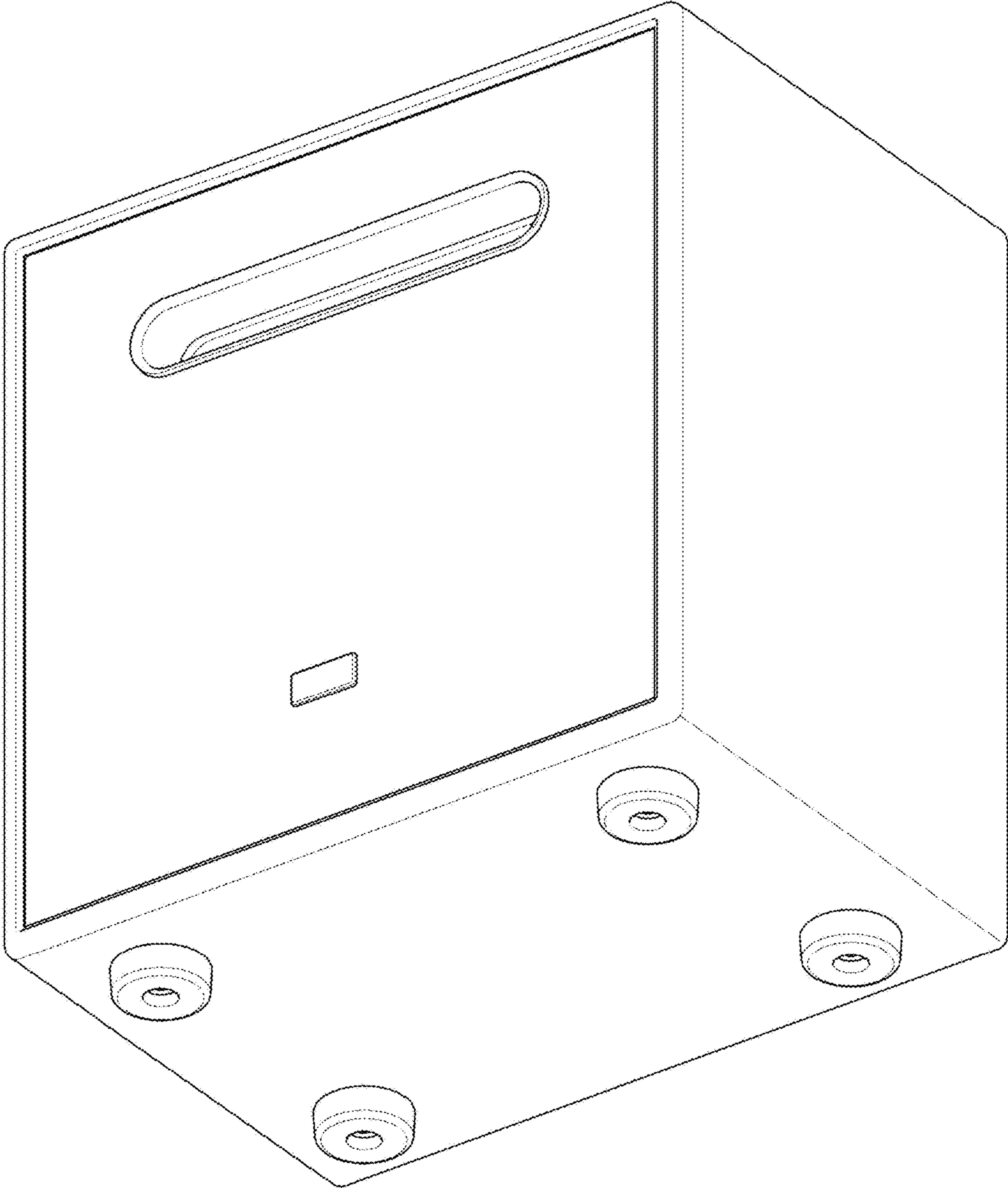
1 Claim, 8 Drawing Sheets



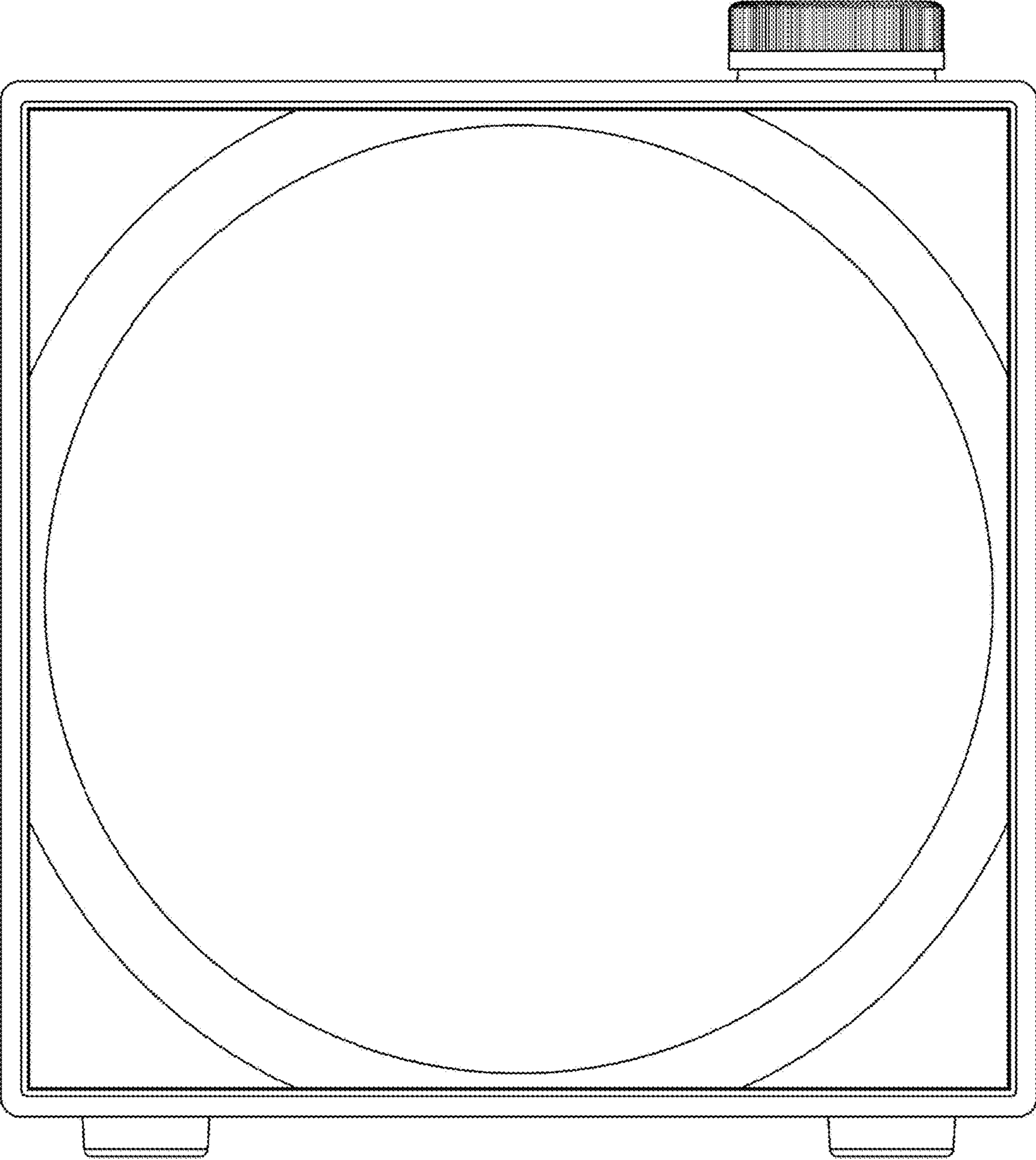
1.1



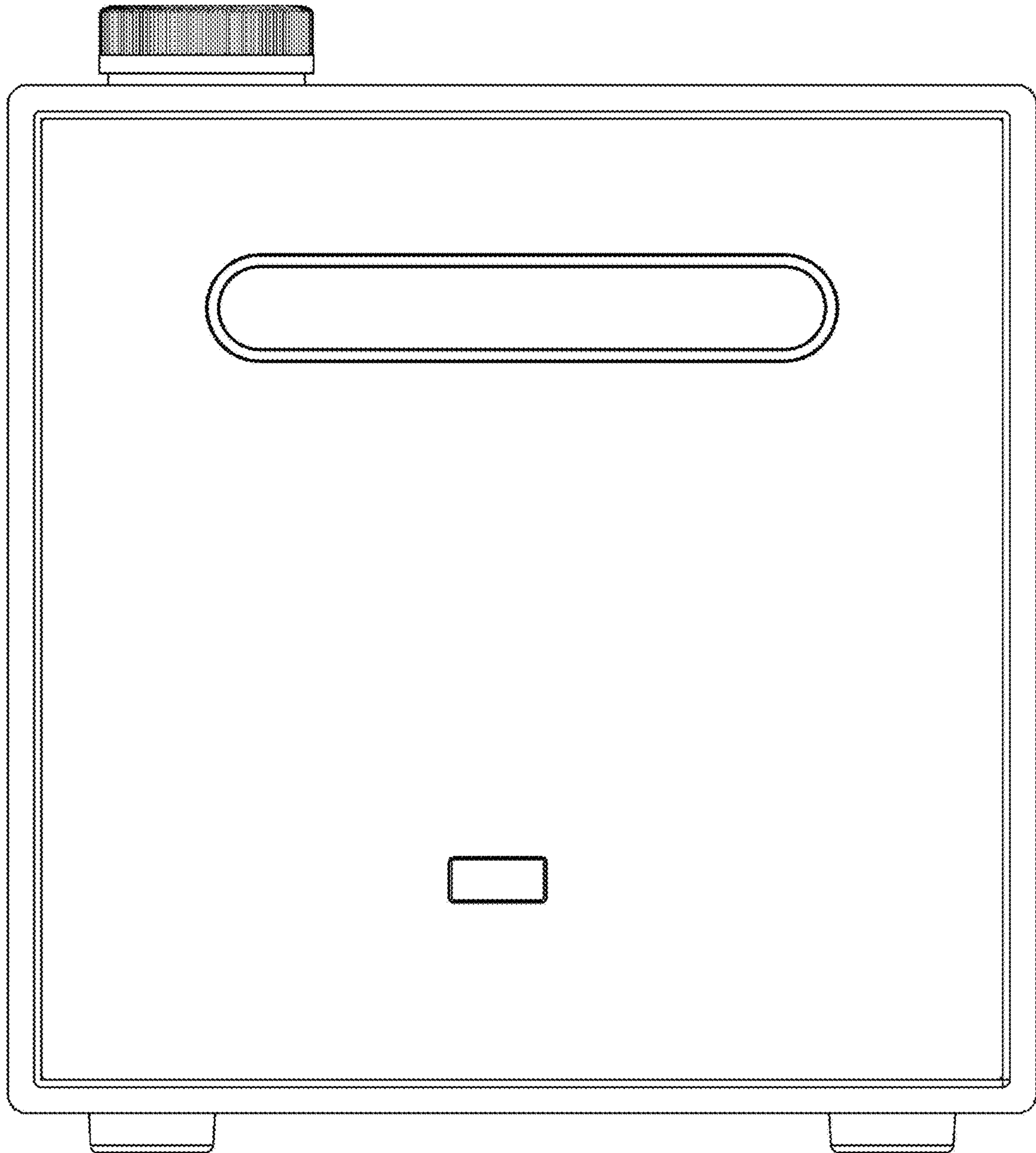
1.2



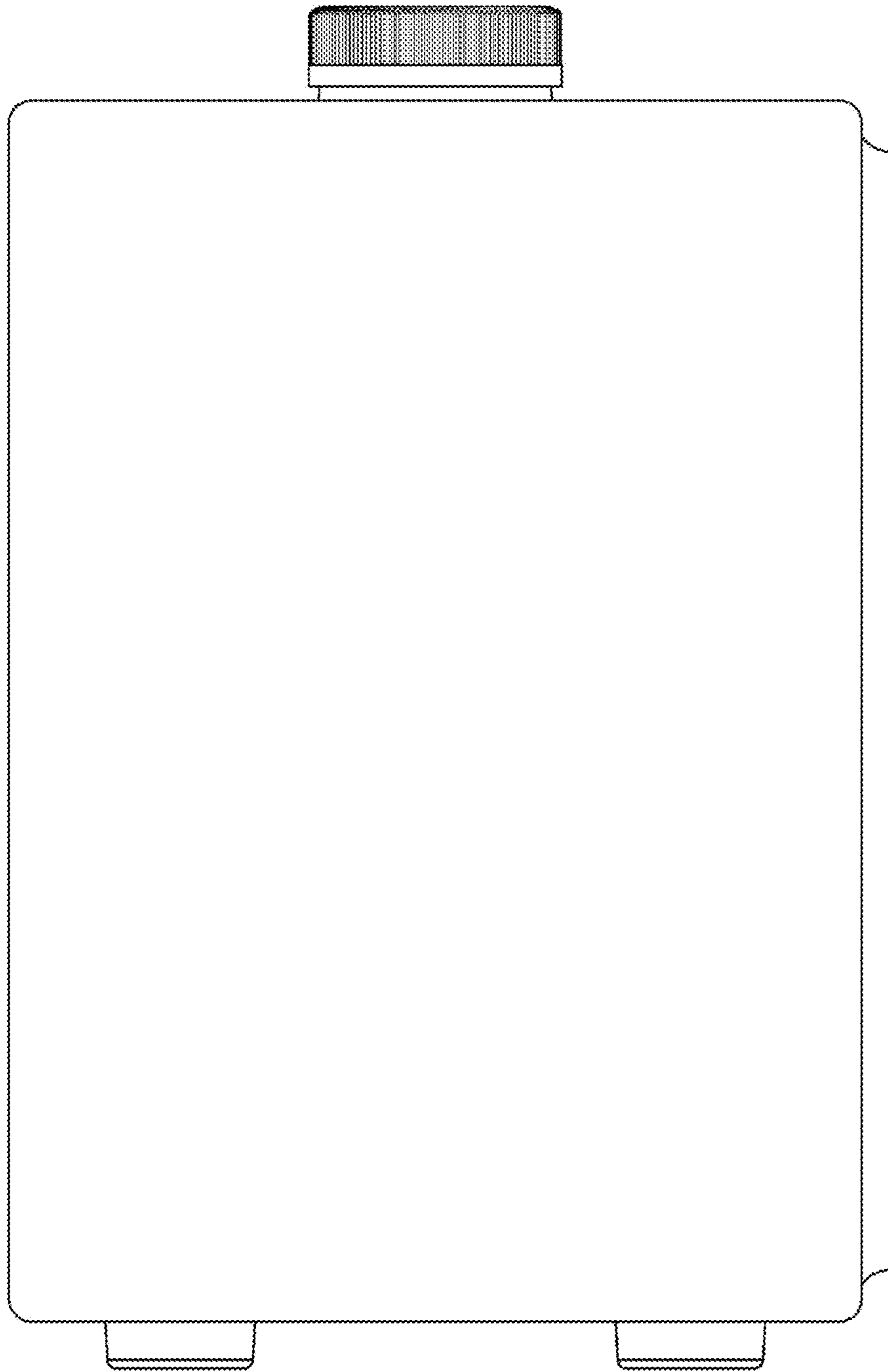
1.3



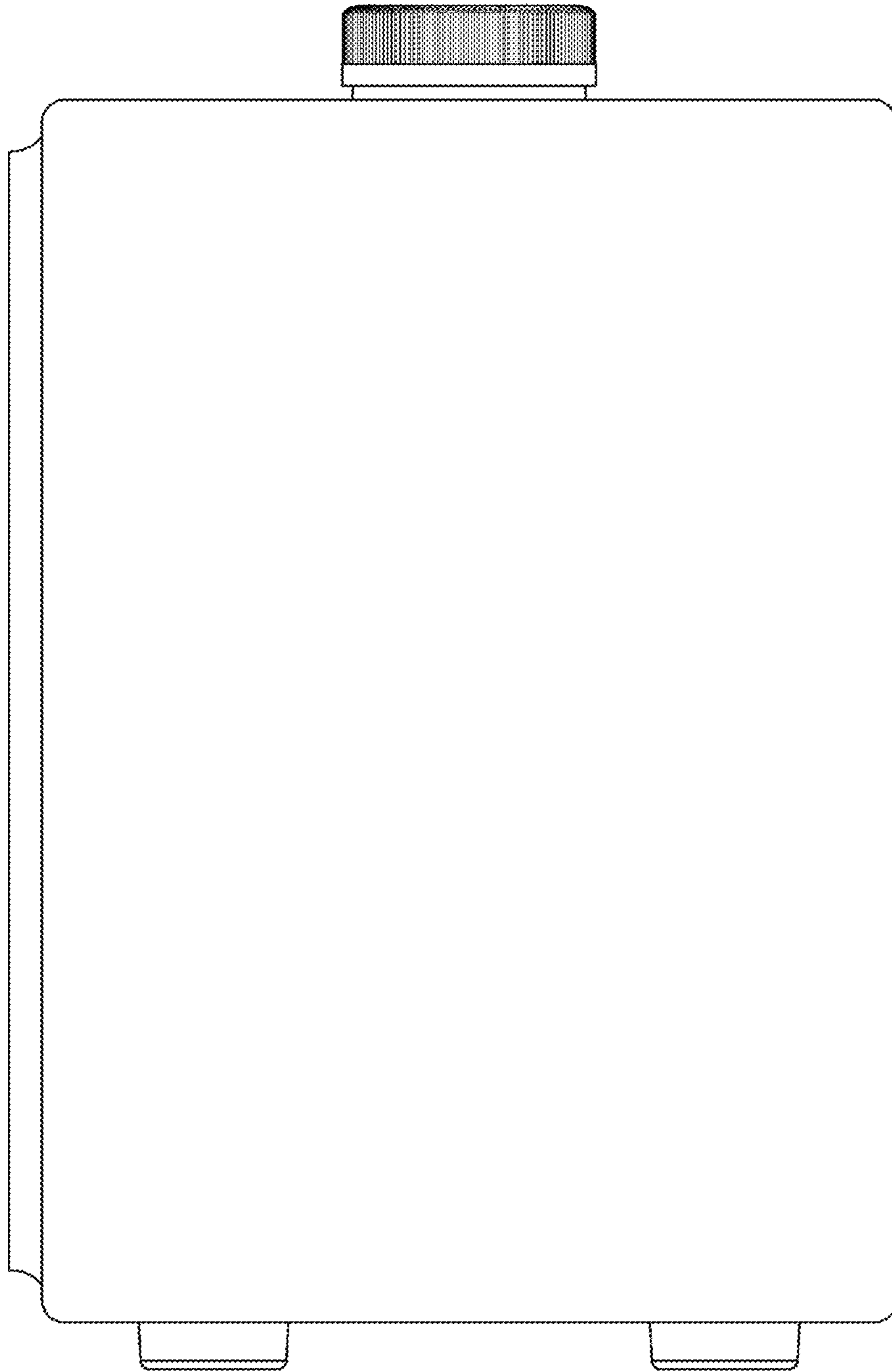
1.4



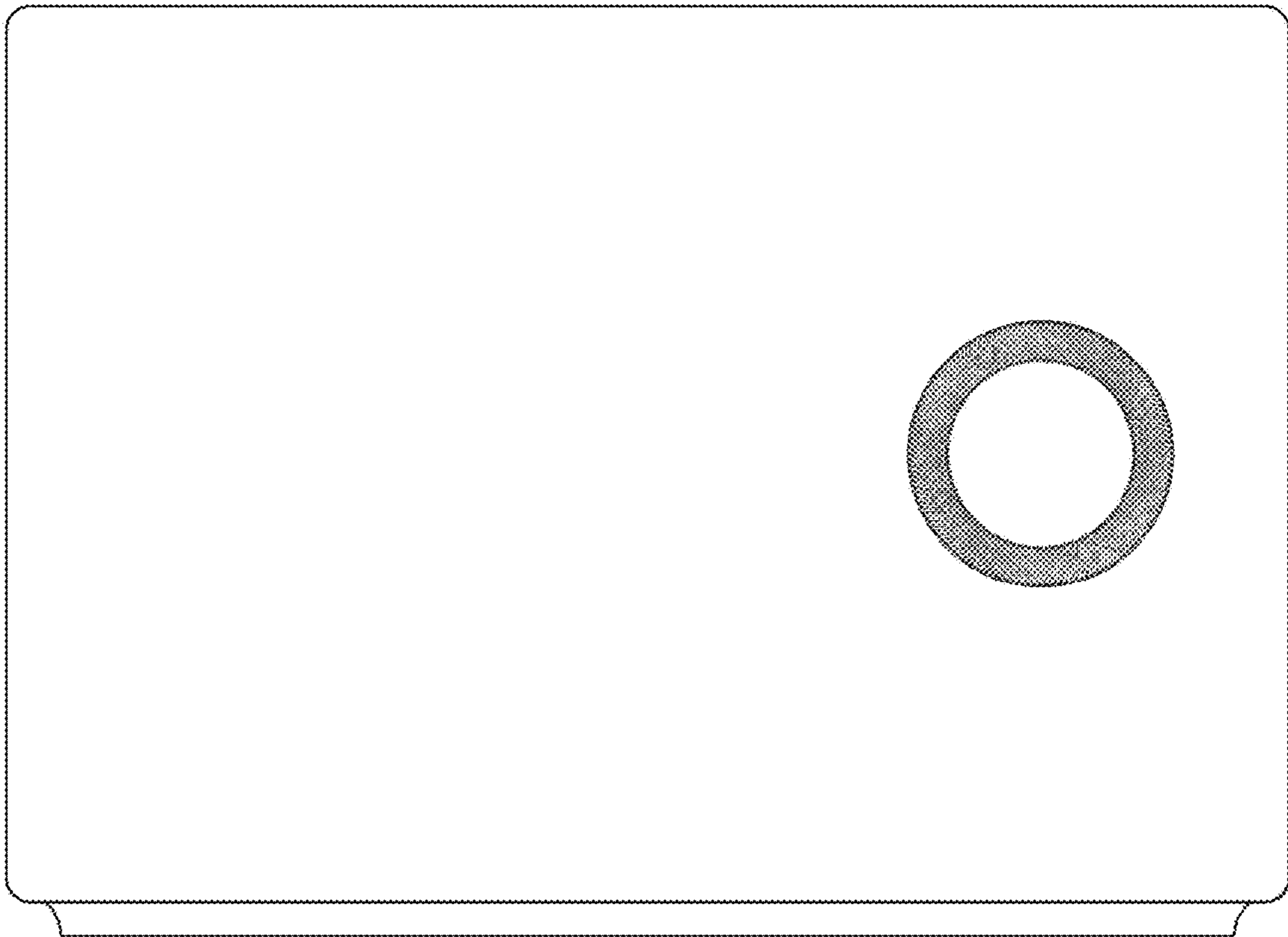
1.5



1.6



1.7



1.8

