



US00D982552S

(12) **United States Design Patent**
Wei et al.

(10) **Patent No.:** **US D982,552 S**
(45) **Date of Patent:** **** Apr. 4, 2023**

- (54) **HEADPHONE**
- (71) Applicant: **Anker Innovations Technology Co. Ltd.**, Changsha (CN)
- (72) Inventors: **Jingxuan Wei**, Shenzhen (CN); **Zheng Wei**, Shenzhen (CN)
- (73) Assignee: **Anker Innovations Technology Co., Ltd.**, Changsha (CN)
- (**) Term: **15 Years**
- (21) Appl. No.: **29/785,653**
- (22) Filed: **May 26, 2021**
- (51) **LOC (14) Cl.** **14-01**
- (52) **U.S. Cl.**
USPC **D14/206**
- (58) **Field of Classification Search**
USPC D14/206, 225, 226, 205, 188, 192;
D29/112; 2/209; 381/380–381, 362
CPC H04R 25/00; H04R 25/02; H04R 1/1066;
H04R 1/1016; H04R 5/033; H04R
5/0335; H04R 1/08; H04R 1/008; H04R
19/04; H04R 11/04; H04R 1/105; H04R
1/1091
See application file for complete search history.

D713,817 S *	9/2014	Paterson	D14/205
D725,630 S *	3/2015	Nakagawa	D14/205
D733,090 S *	6/2015	Petersen	D14/205
D734,296 S *	7/2015	Paterson	D14/205
D741,842 S *	10/2015	Levine	D14/226
9,426,554 B2 *	8/2016	Dai	H04R 1/083
9,706,281 B2 *	7/2017	Hernandez Vazquez	F16M 13/04
D806,676 S *	1/2018	Fuglsang	D14/206
D809,478 S *	2/2018	Arimoto	D14/205
D820,812 S *	6/2018	Bidwell	D14/206
D822,638 S *	7/2018	Liu	D14/206
D830,339 S *	10/2018	Yan	D14/206
D836,085 S *	12/2018	Sun	D14/206
D843,967 S *	3/2019	Paterson	D14/205
D847,778 S *	5/2019	Hardi	D14/205

(Continued)

FOREIGN PATENT DOCUMENTS

EM	003787902-0001	*	3/2017
EM	008550222-0001	*	5/2021

Primary Examiner — Paula Allen Greene
(74) *Attorney, Agent, or Firm* — Banner & Witcoff, Ltd.

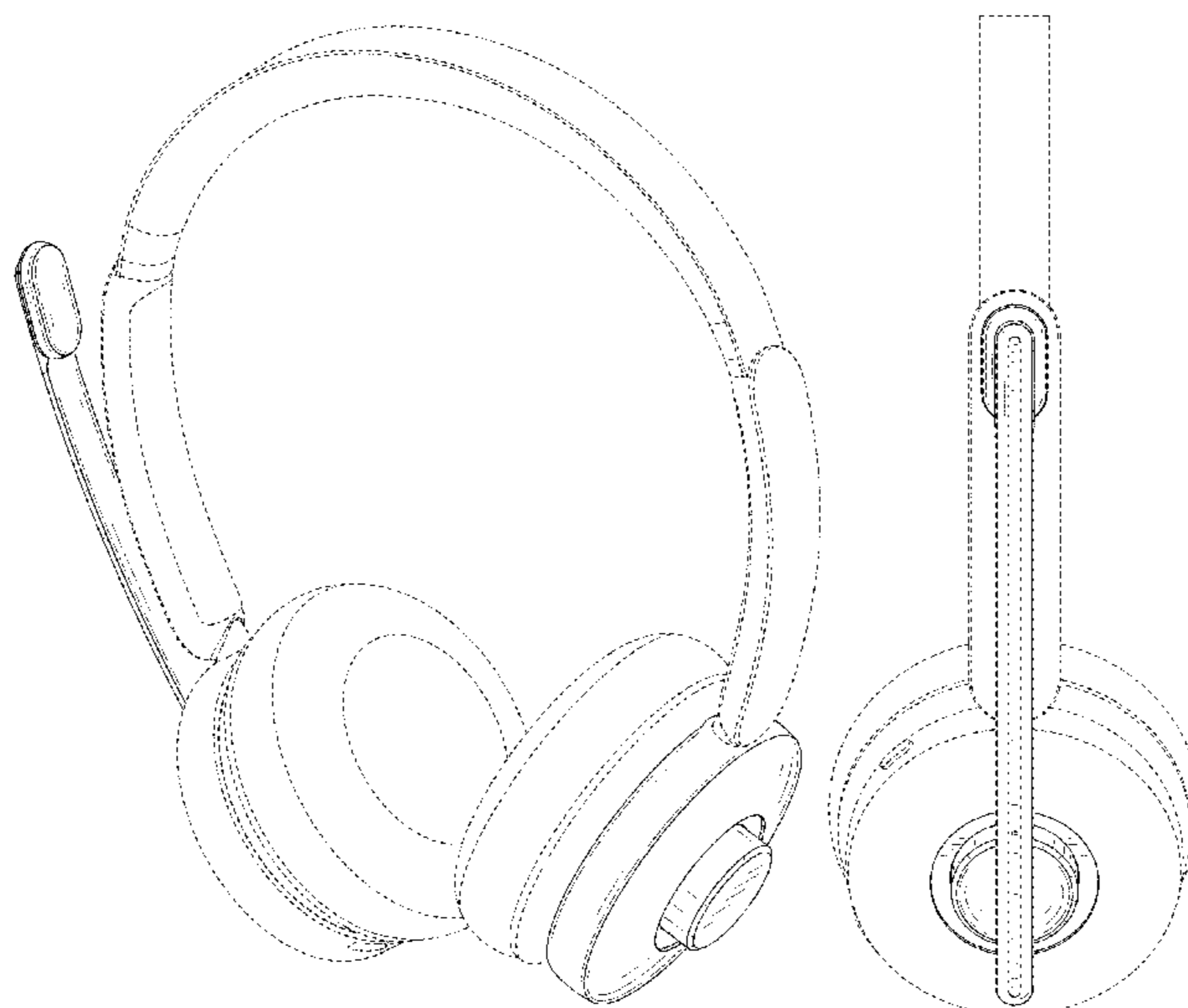
(57) **CLAIM**

The ornamental design for a headphone, as shown and described.

DESCRIPTION

FIG. 1 is a front perspective view of a headphone showing our new design;
FIG. 2 is a rear perspective view thereof;
FIG. 3 is a front view thereof;
FIG. 4 is a rear view thereof;
FIG. 5 is a left side view thereof;
FIG. 6 is a right side view thereof;
FIG. 7 is a top view thereof; and,
FIG. 8 is a bottom view thereof.
The broken lines depict portions of the headphone that form no part of the claimed design.

1 Claim, 8 Drawing Sheets



(56)

References Cited

U.S. PATENT DOCUMENTS

D848,395 S * 5/2019 Kelley D14/205
 D851,628 S * 6/2019 Wernblad D14/206
 D855,036 S * 7/2019 Yan D14/206
 D856,303 S * 8/2019 Ando D14/205
 D864,155 S * 10/2019 Liu D14/206
 D864,156 S * 10/2019 Liu D14/206
 D866,508 S * 11/2019 Lindof D14/206
 D866,509 S * 11/2019 Lindof D14/206
 D866,510 S * 11/2019 Lindof D14/206
 D866,511 S * 11/2019 Lindof D14/206
 D866,513 S * 11/2019 Lindof D14/206
 D866,514 S * 11/2019 Lindof D14/206
 D867,330 S * 11/2019 Lindof D14/206
 D867,331 S * 11/2019 Lindof D14/206
 D869,430 S * 12/2019 Rama D14/206
 D870,069 S * 12/2019 Hu D14/206
 D874,736 S * 2/2020 Bui D29/112
 D875,073 S * 2/2020 Pedersen D14/206
 D877,115 S * 3/2020 Kelley D14/205
 D882,544 S * 4/2020 Paterson D14/205
 D883,253 S * 5/2020 Kelley D14/206
 D885,364 S * 5/2020 Paterson D14/206
 D895,570 S * 9/2020 Choi D14/205
 D898,701 S * 10/2020 Zhong D14/206
 D898,711 S * 10/2020 Pedersen D14/206
 D899,402 S * 10/2020 Shen D14/206
 D923,602 S * 6/2021 Kelley D14/206
 D927,451 S * 8/2021 Paterson D14/206
 D927,452 S * 8/2021 Paterson D14/205

D927,455 S * 8/2021 Yang D14/206
 D927,456 S * 8/2021 Paterson D14/206
 D927,457 S * 8/2021 Su D14/206
 D927,458 S * 8/2021 Su D14/206
 D927,459 S * 8/2021 Su D14/206
 D928,116 S * 8/2021 Su D14/206
 D935,440 S * 11/2021 Liu D14/206
 D940,685 S * 1/2022 He D14/206
 D940,686 S * 1/2022 Yang D14/206
 D942,414 S * 2/2022 Liu D14/206
 D950,520 S * 5/2022 Yan D14/206
 D951,907 S * 5/2022 Bellham D14/206
 D956,013 S * 6/2022 Bellham D14/206
 D968,356 S * 11/2022 Zheng D14/205
 D968,367 S * 11/2022 Lindof D14/206
 D969,104 S * 11/2022 Yang D14/206
 2001/0036291 A1 * 11/2001 Pallai H04R 1/342
 381/370
 2005/0286717 A1 * 12/2005 Viduya H04M 1/18
 379/430
 2011/0135134 A1 * 6/2011 Essabar H04R 1/1033
 381/374
 2011/0194721 A1 * 8/2011 Schmidt H04R 19/04
 381/370
 2011/0228925 A1 * 9/2011 Birch H04R 1/1041
 379/428.02
 2012/0328119 A1 * 12/2012 Heise H04R 1/1066
 381/74
 2017/0041695 A1 * 2/2017 Hernandez Vazquez
 H04R 1/105
 2021/0084401 A1 * 3/2021 Smiechowski H04R 1/1041

* cited by examiner

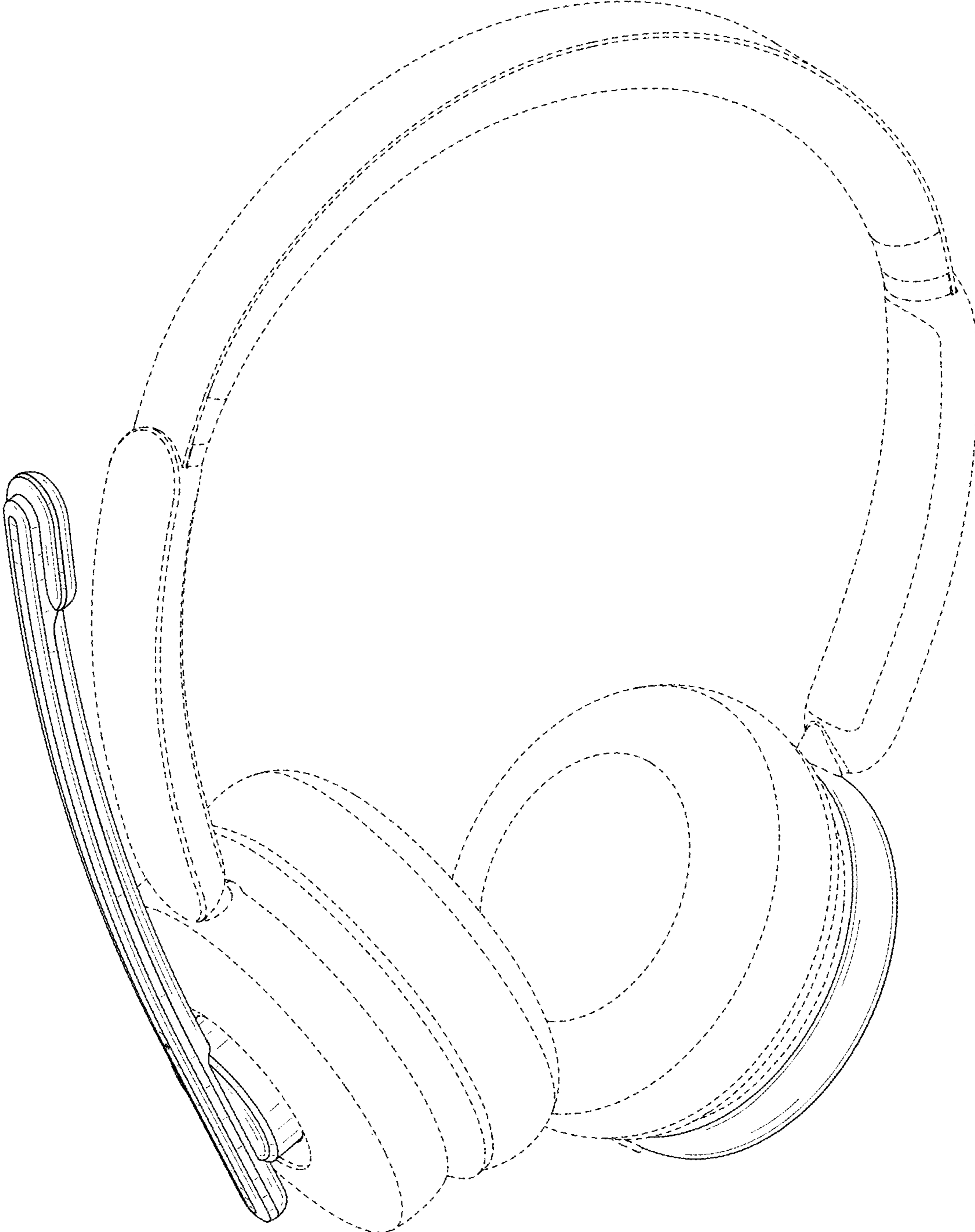


FIG. 1



FIG. 2

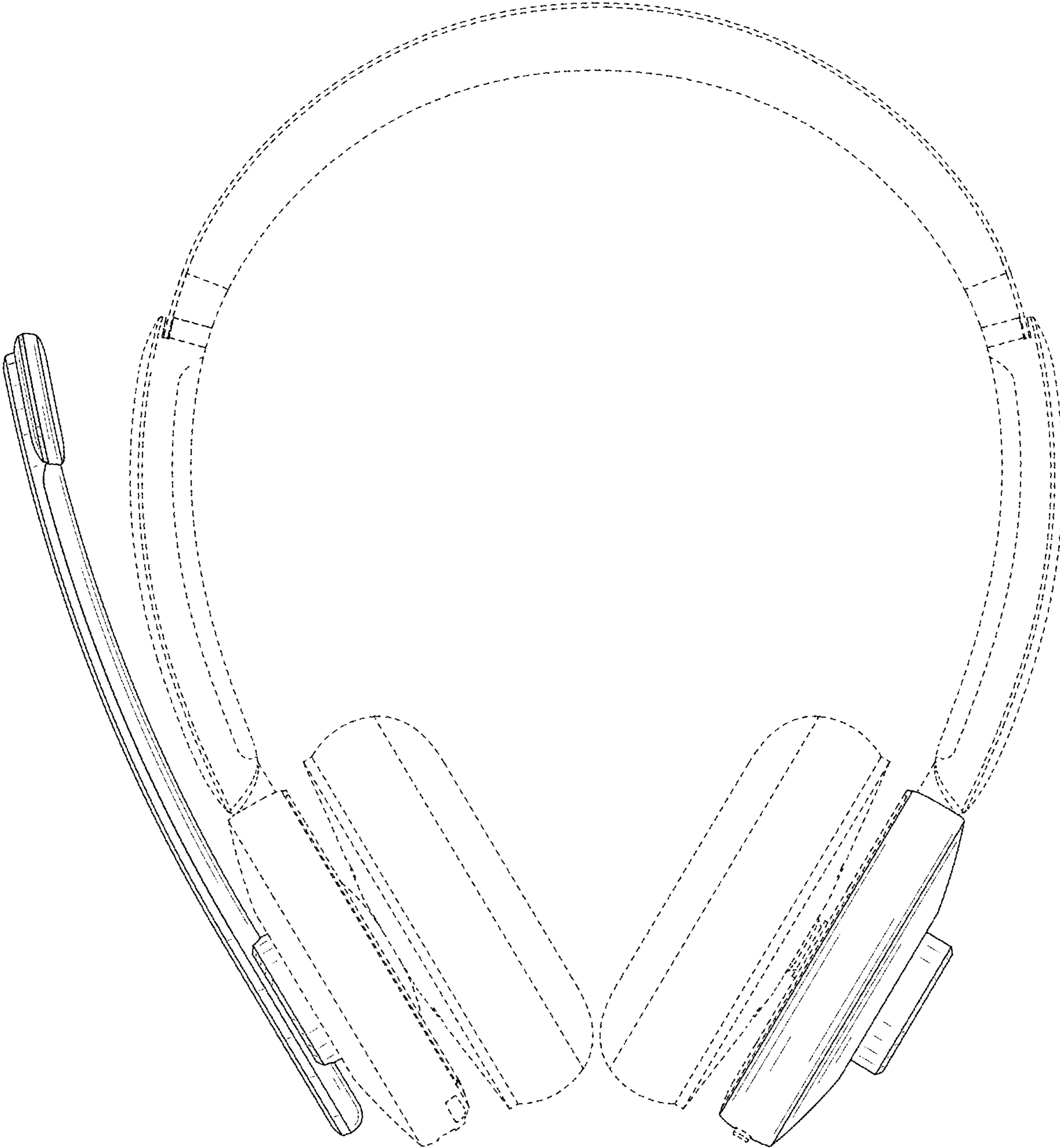


FIG. 3

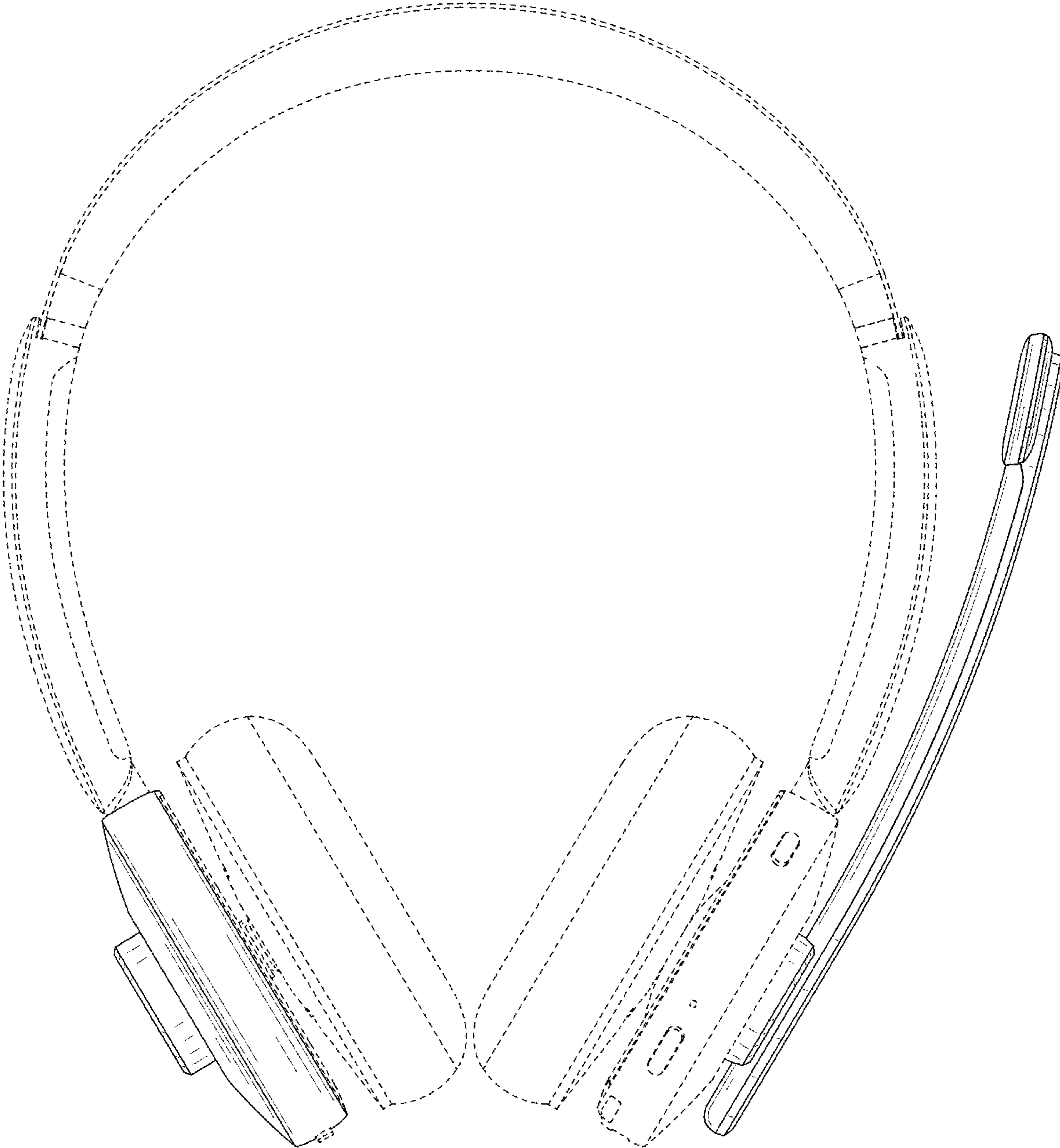


FIG. 4

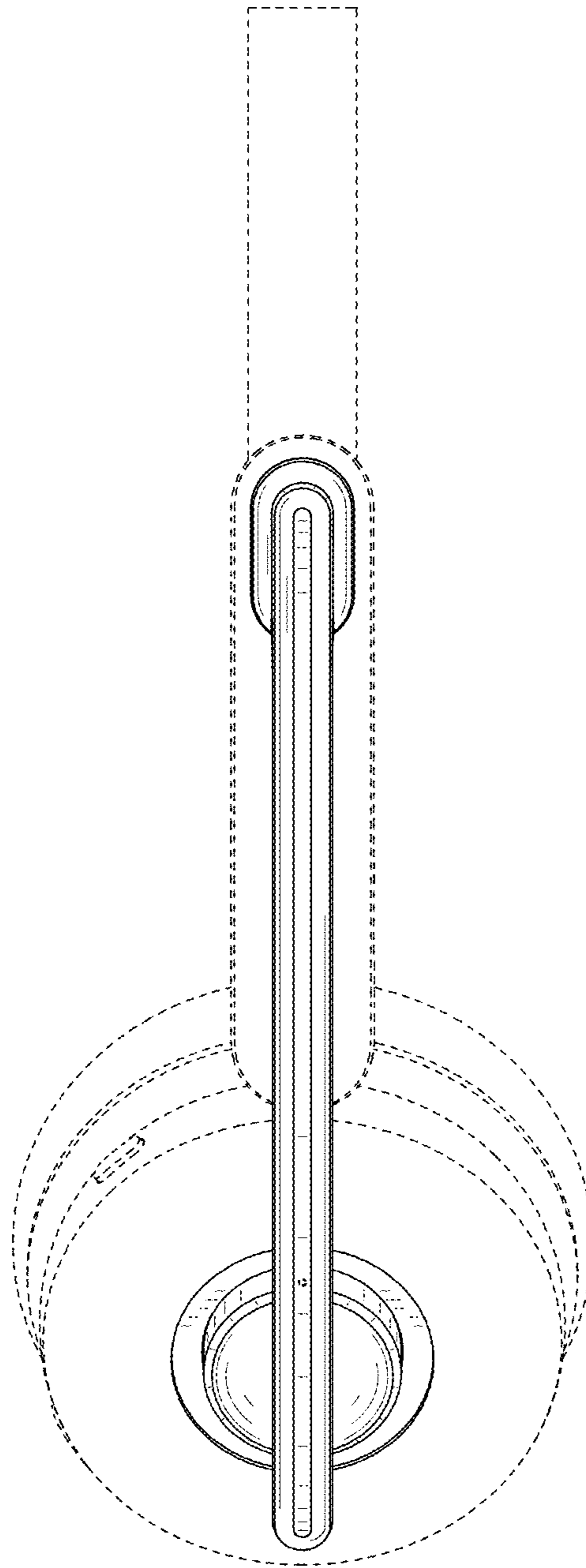


FIG. 5

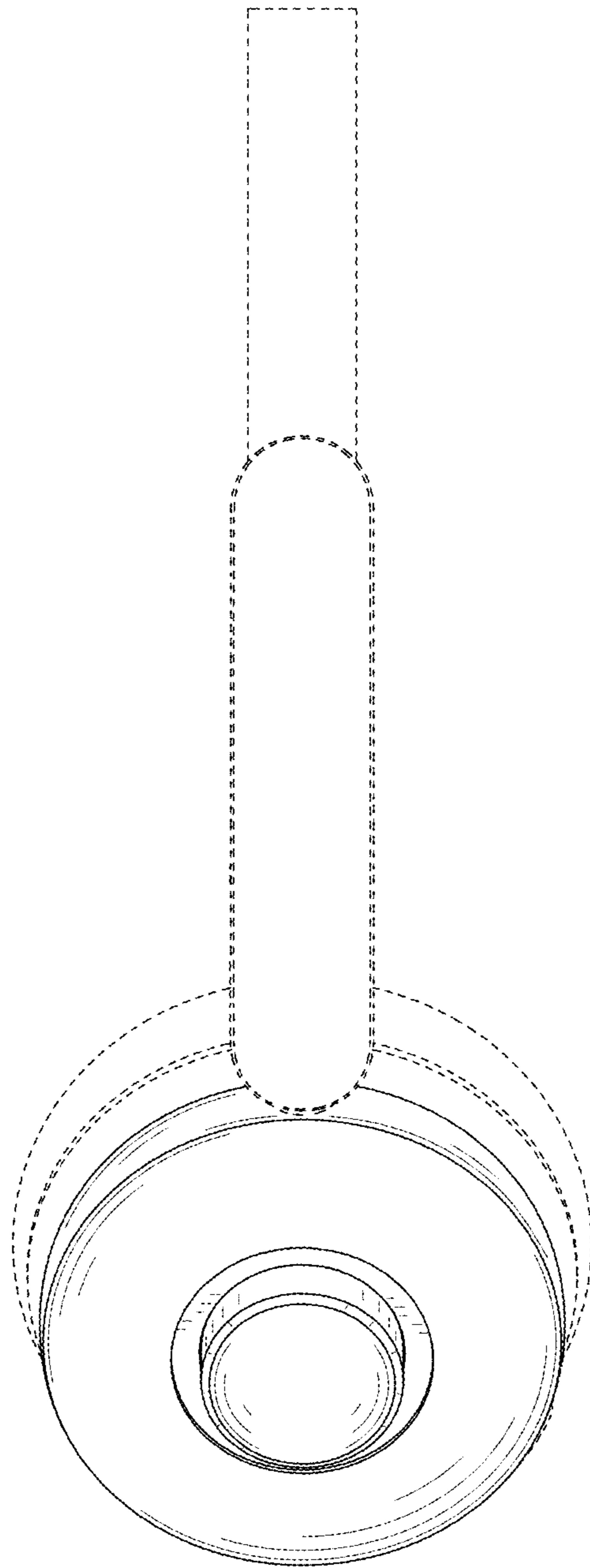


FIG. 6

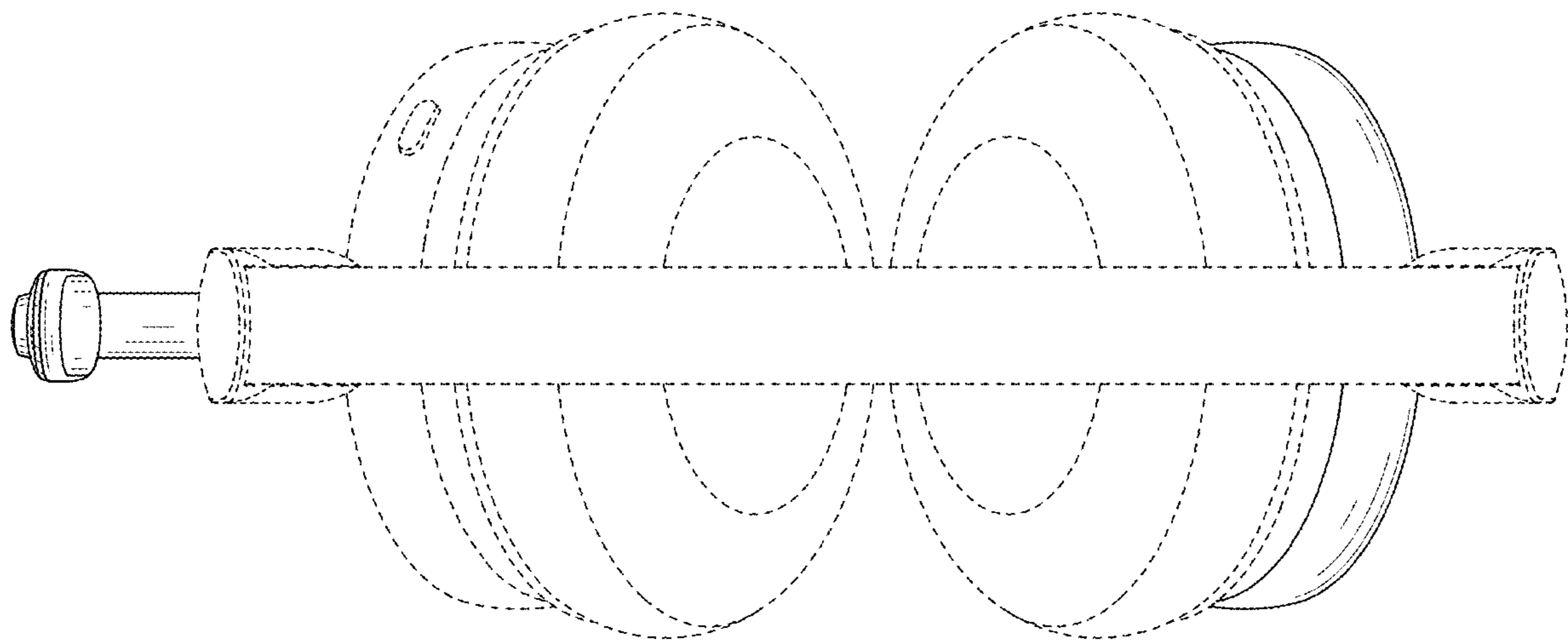


FIG. 7

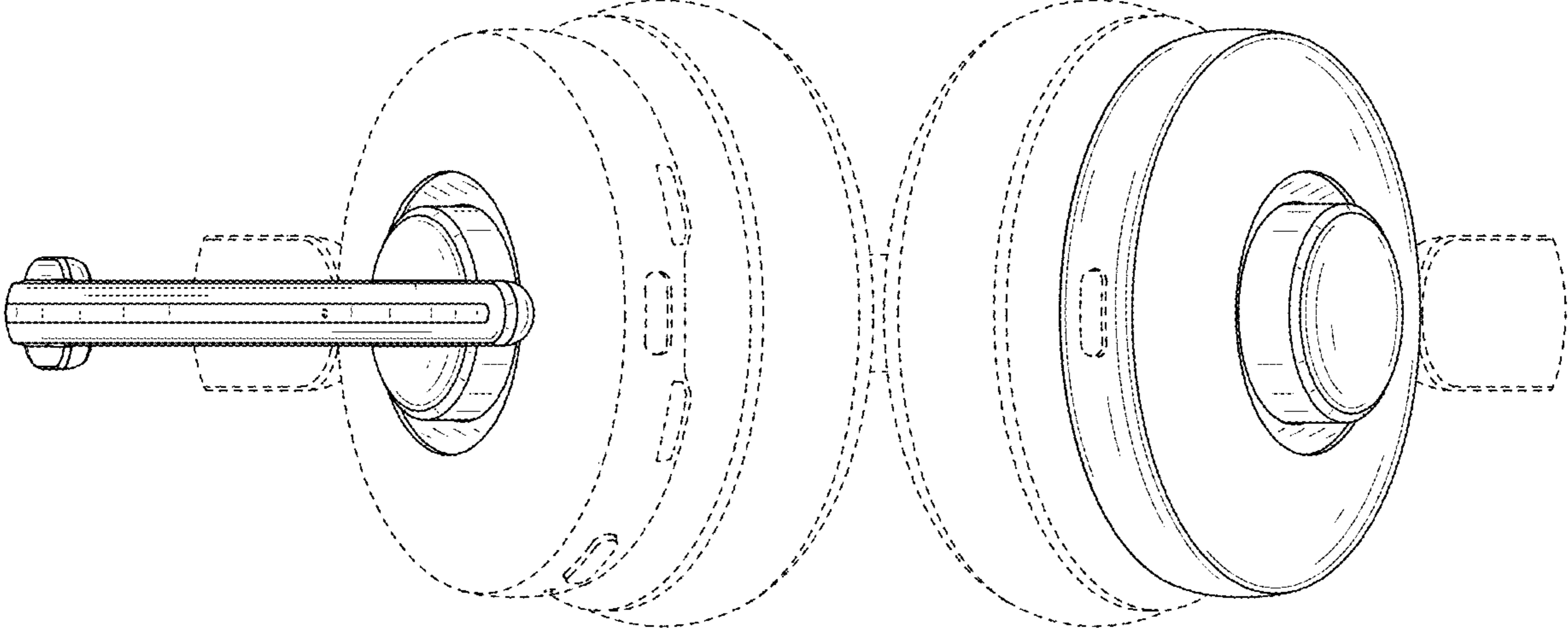


FIG. 8