



US00D982549S

(12) **United States Design Patent**
Yang

(10) **Patent No.:** **US D982,549 S**

(45) **Date of Patent:** **** Apr. 4, 2023**

- (54) **HEADPHONE ADAPTER**
- (71) Applicant: **SHENZHEN LIANGBAO TECHNOLOGY CO., LTD.**, Shenzhen (CN)
- (72) Inventor: **Wukun Yang**, Shenzhen (CN)
- (73) Assignee: **SHENZHEN LIANGBAO TECHNOLOGY CO., LTD.**, Shenzhen (CN)
- (**) Term: **15 Years**

- D458,597 S * 6/2002 Davies D14/206
- 6,438,248 B1 * 8/2002 Kamimura H04M 1/15
381/374
- D462,945 S * 9/2002 Skulley D14/218
- D475,996 S * 6/2003 Skulley D14/240
- D486,814 S * 2/2004 Nakamura D14/167
- D494,571 S * 8/2004 Polito D14/240
- D499,086 S * 11/2004 Polito D14/218
- 6,975,644 B2 * 12/2005 Tordera H04W 88/02
455/575.1
- D569,841 S * 5/2008 Chung D14/205
- D580,803 S * 11/2008 Whittaker D10/65
- D594,875 S * 6/2009 Sheba D14/203.3
- D614,167 S * 4/2010 Brickstad D14/218
- D628,537 S * 12/2010 Nagata D13/153

(Continued)

- (21) Appl. No.: **29/777,922**
- (22) Filed: **Apr. 9, 2021**
- (51) **LOC (14) Cl.** **14-01**
- (52) **U.S. Cl.**
USPC **D14/205**; D14/217
- (58) **Field of Classification Search**
USPC ... D14/205, 217, 223, 238.1, 240, 192, 172,
D14/218, 147, 138 G, 433, 435.1, 356,
D14/357, 453, 454, 511; D13/108, 147,
D13/153; 439/658; 455/575.2; 320/103
CPC H04R 25/00; H04R 1/10; H04R 1/1033;
H04R 1/1058; H01R 13/447; H01R 9/03;
G06F 1/18
See application file for complete search history.

FOREIGN PATENT DOCUMENTS

- CN 304689404 * 6/2018
- CN 305472323 * 12/2019

(Continued)

Primary Examiner — Paula Allen Greene

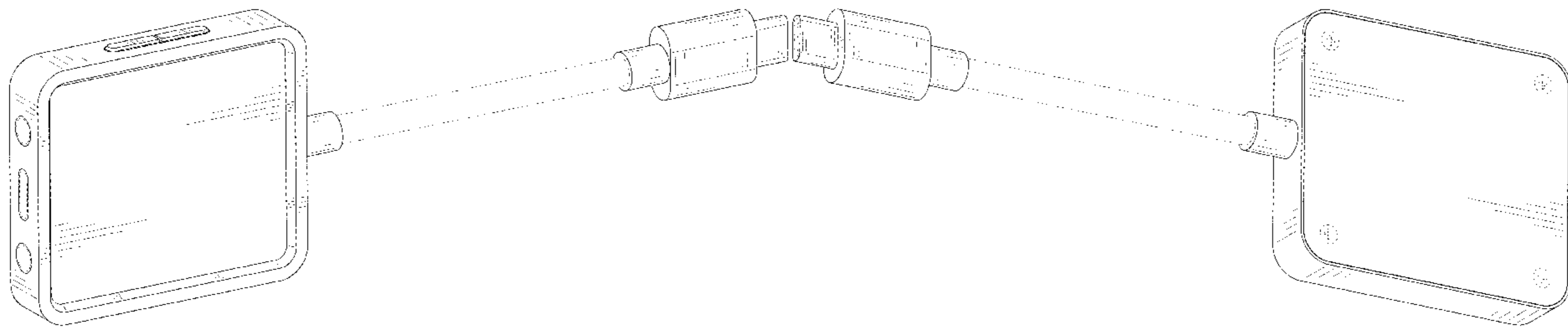
(57) **CLAIM**

The ornamental design for a headphone adapter, as shown and described.

DESCRIPTION

FIG. 1 is a perspective view of a headphone adapter showing my new design;
 FIG. 2 is another perspective view thereof;
 FIG. 3 is a front elevational view thereof;
 FIG. 4 is a rear elevational view thereof;
 FIG. 5 is a left side elevational view thereof;
 FIG. 6 is a right side elevational view thereof;
 FIG. 7 is a top plan view thereof; and,
 FIG. 8 is a bottom plan view thereof.
 The broken lines in the drawings depict portions of the headphone adapter that form no part of the claimed design.

1 Claim, 8 Drawing Sheets



(56)

References Cited

U.S. PATENT DOCUMENTS

D639,780 S * 6/2011 Knafou D10/65
 D648,298 S * 11/2011 Pierce D14/138 G
 D683,703 S * 6/2013 Akana D13/147
 D705,201 S * 5/2014 Isaacs D14/240
 D707,681 S * 6/2014 Akana D14/433
 D718,735 S * 12/2014 Lockenwitz D14/155
 D719,131 S * 12/2014 Toelle D14/205
 D730,873 S * 6/2015 Petterson D14/218
 D730,903 S * 6/2015 Langhammer D14/433
 D731,489 S * 6/2015 Langhammer D14/433
 D751,560 S * 3/2016 Akana D14/433
 D782,485 S * 3/2017 Cai D14/433
 D784,340 S * 4/2017 Laffon de Mazieres D14/433
 D796,484 S * 9/2017 Chen D14/218
 D798,301 S * 9/2017 Kujawski D14/433
 D828,839 S * 9/2018 Zhang D14/433
 D828,840 S * 9/2018 Zhang D14/433
 D847,139 S * 4/2019 Wang D14/433
 D852,798 S * 7/2019 Biddle D14/433
 D853,018 S * 7/2019 Chen D26/120
 D863,256 S * 10/2019 Lindof D14/217
 D864,163 S * 10/2019 Lindof D14/217
 D896,220 S * 9/2020 Wu D14/433
 D905,063 S * 12/2020 Liu D14/434

D928,160 S * 8/2021 Liao D14/433
 D933,071 S * 10/2021 Liu D14/433
 D934,251 S * 10/2021 Liao D14/433
 D936,656 S * 11/2021 Liao D14/433
 D945,994 S * 3/2022 Lin D14/433
 D953,338 S * 5/2022 Zhang D14/433
 D958,071 S * 7/2022 Yang D13/108
 D962,240 S * 8/2022 Phillips D14/433
 D966,269 S * 10/2022 Biddle D14/433
 D968,410 S * 11/2022 Zhang D14/433
 D969,081 S * 11/2022 Ogishita D13/133
 D969,813 S * 11/2022 Feng D14/433
 D972,500 S * 12/2022 Turksu D13/108
 2013/0049675 A1* 2/2013 Minami G06F 1/266
 320/103
 2013/0328484 A1* 12/2013 Villarreal H01R 13/7175
 439/658
 2019/0204882 A1* 7/2019 Tseng G06F 1/28
 2019/0379150 A1* 12/2019 Turksu H01R 13/447

FOREIGN PATENT DOCUMENTS

CN 305472324 * 12/2019
 GB 6130645 * 4/2021
 GB 6141091 * 6/2021
 JP D1701434 * 11/2021

* cited by examiner

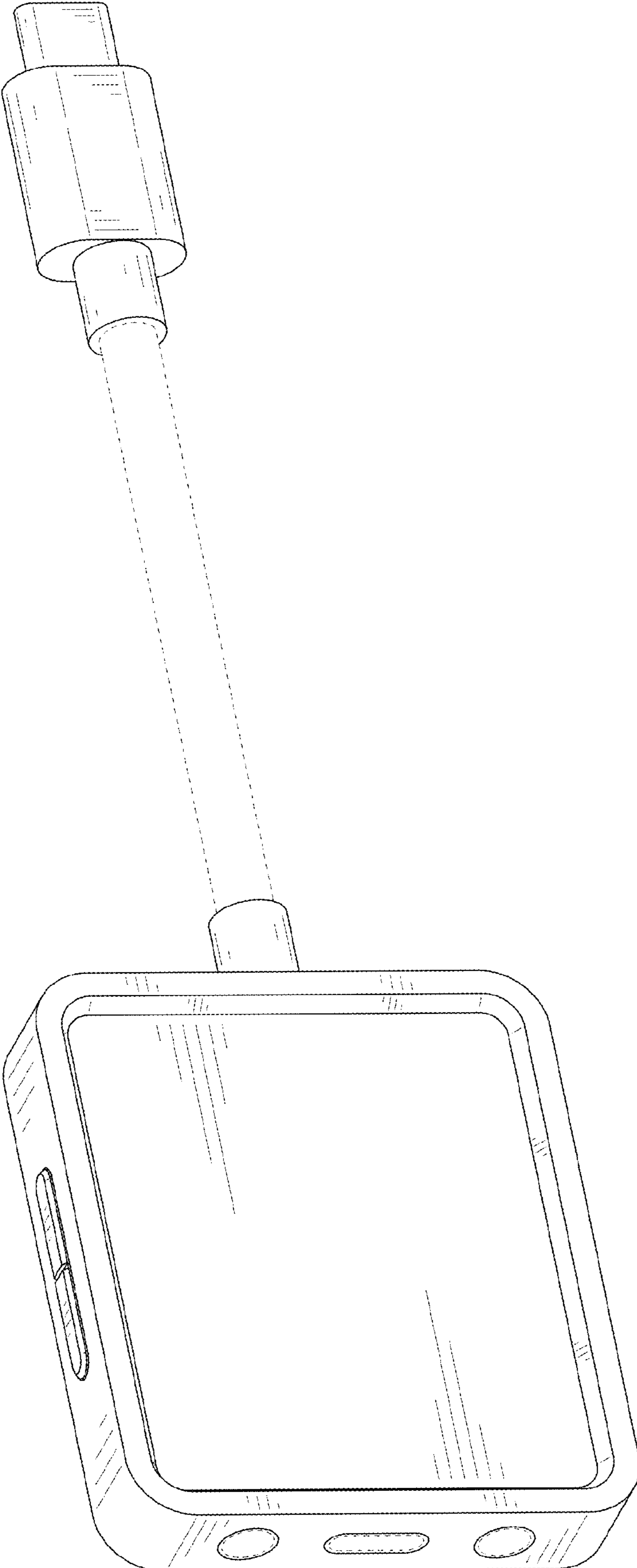


FIG. 1

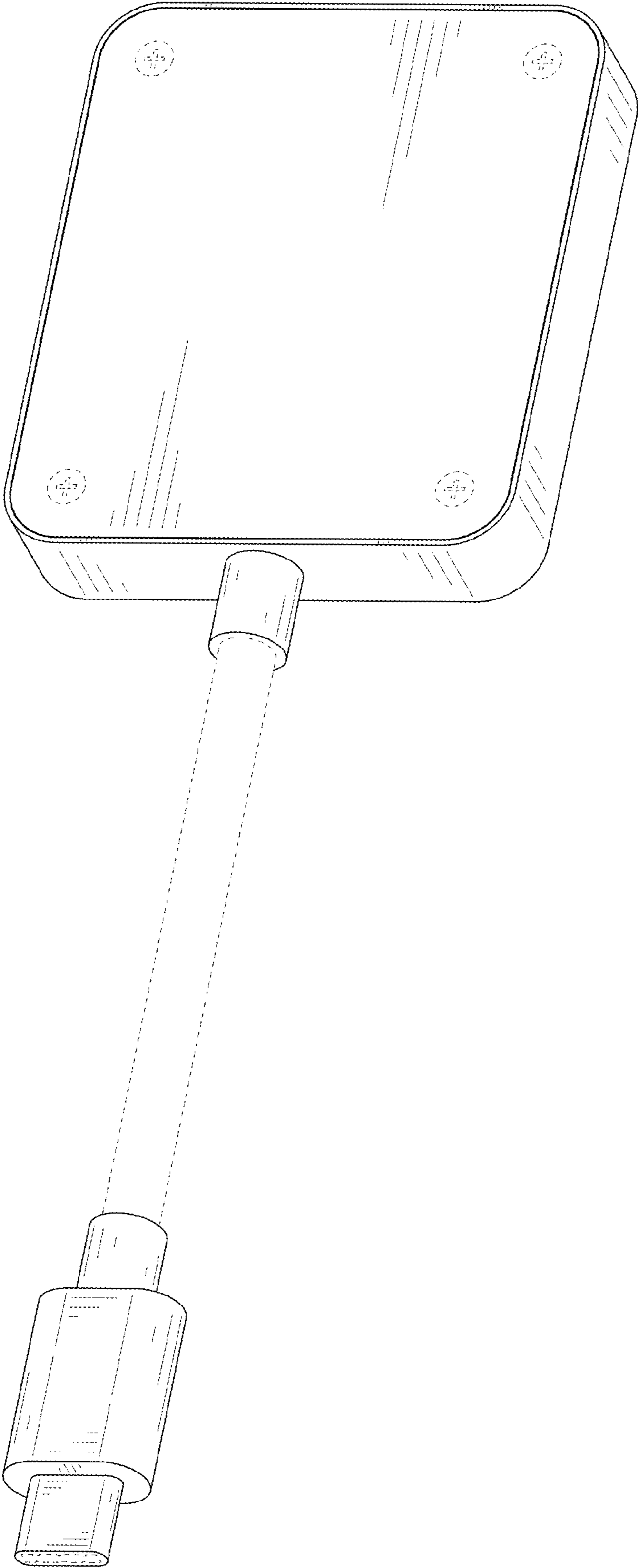


FIG. 2

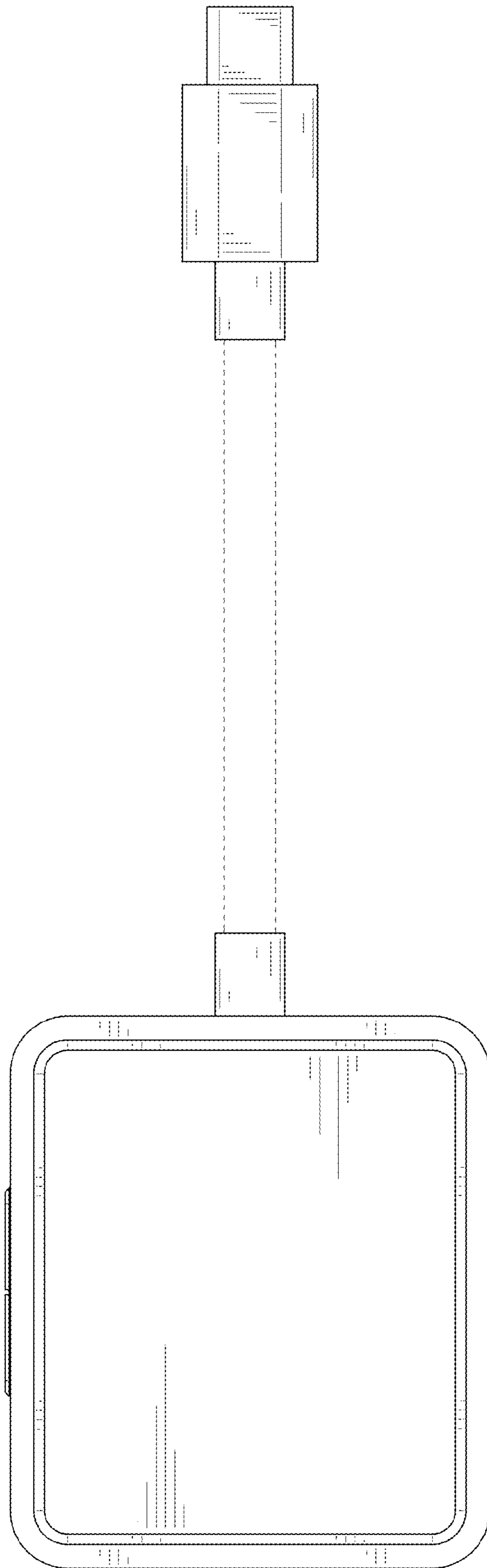


FIG. 3

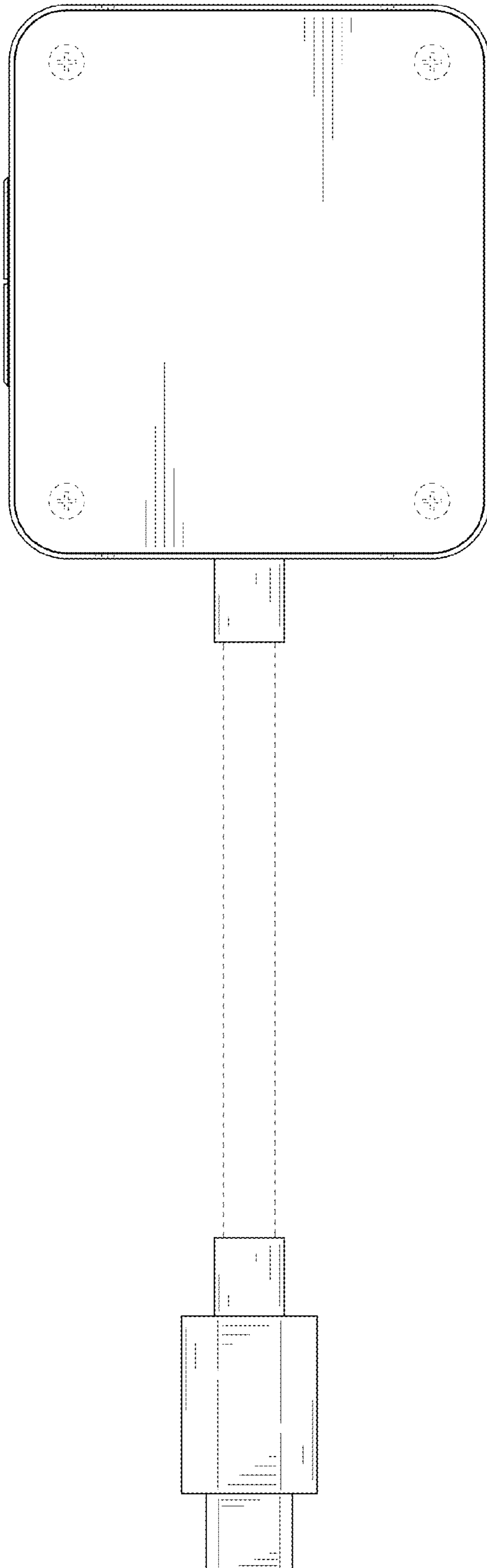


FIG. 4

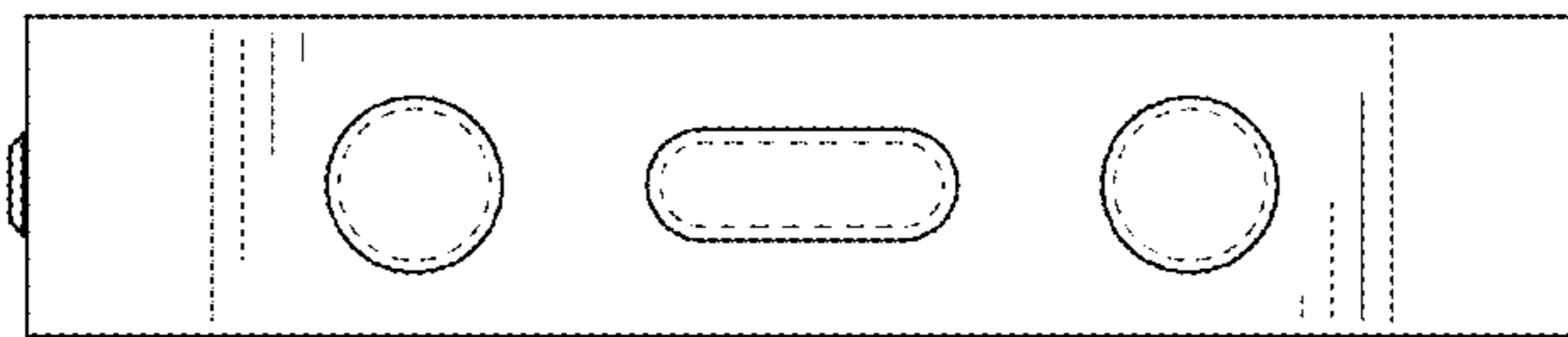


FIG. 5

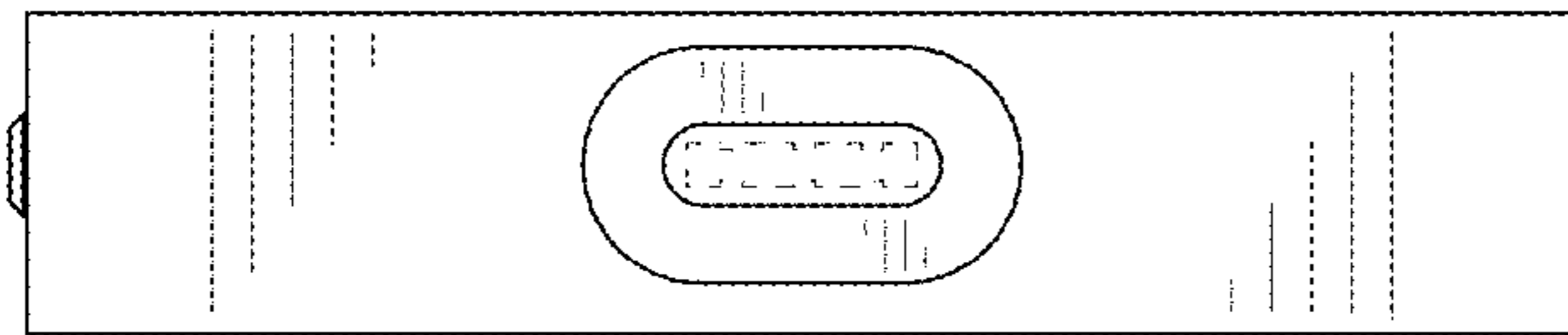


FIG. 6

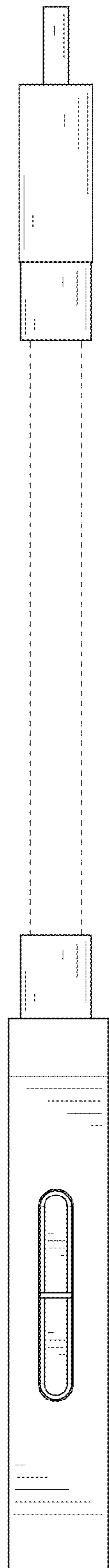


FIG. 7

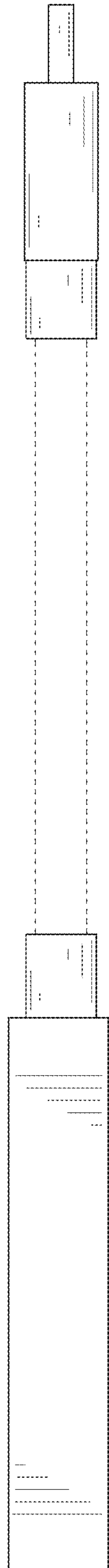


FIG. 8