



US00D982547S

(12) **United States Design Patent**  
**Kawaguchi**

(10) **Patent No.:** **US D982,547 S**

(45) **Date of Patent:** **\*\* Apr. 4, 2023**

- (54) **WIRELESS SPEAKER**
- (71) Applicant: **Kenji Kawaguchi**, Aliso Viejo, CA (US)
- (72) Inventor: **Kenji Kawaguchi**, Aliso Viejo, CA (US)
- (73) Assignee: **OC Acoustic**, Aliso Viejo, CA (US)
- (\*\*) Term: **15 Years**

D798,840 S	10/2017	Tse	
D803,811 S	11/2017	Katsuno	
D828,332 S	9/2018	Hu	
D834,000 S	11/2018	Paslawski	
D842,841 S *	3/2019	Demin	D14/216
D857,648 S	8/2019	Okuley	
D884,673 S *	5/2020	Han	D10/2
D888,017 S *	6/2020	Yuan	D14/216
D902,883 S *	11/2020	Simonelli	D14/204
D909,993 S *	2/2021	Han	D10/2
D961,550 S *	8/2022	Weiss	D14/216

- (21) Appl. No.: **29/727,600**
- (22) Filed: **Mar. 12, 2020**
- (51) **LOC (14) Cl.** ..... **14-01**
- (52) **U.S. Cl.**  
USPC ..... **D14/204**
- (58) **Field of Classification Search**  
USPC ..... D14/170-172, 188, 203.1, 203.3, 204,  
D14/348  
CPC . H04R 1/02; H04R 1/023; H04R 5/02; H04R  
7/00; H04R 7/02; H04R 9/06; H04R  
2400/00  
See application file for complete search history.

- (56) **References Cited**  
U.S. PATENT DOCUMENTS
- |              |         |                   |         |
|--------------|---------|-------------------|---------|
| D510,926 S * | 10/2005 | Jerome            | D14/500 |
| D514,548 S * | 2/2006  | Chan              | D14/216 |
| D593,071 S   | 5/2009  | Laituri et al.    |         |
| D641,730 S   | 7/2011  | Oota              |         |
| D647,502 S * | 10/2011 | Holzer            | D14/171 |
| D676,423 S   | 2/2013  | Joseph            |         |
| D697,046 S   | 1/2014  | Hanna             |         |
| D712,378 S   | 9/2014  | Mackiewicz et al. |         |
| D756,957 S   | 5/2016  | Nylen             |         |
| D765,617 S * | 9/2016  | Mackiewicz        | D14/216 |
| D770,415 S   | 11/2016 | Pellisari         |         |
| D793,363 S   | 8/2017  | Zhang             |         |

**OTHER PUBLICATIONS**

US Trademark Serial No. 88809261; Mark—OC Acoustic Filing date: Feb. 25, 2020.

(Continued)

*Primary Examiner* — Janice Patyk  
(74) *Attorney, Agent, or Firm* — LegalForce RAPC Worldwide

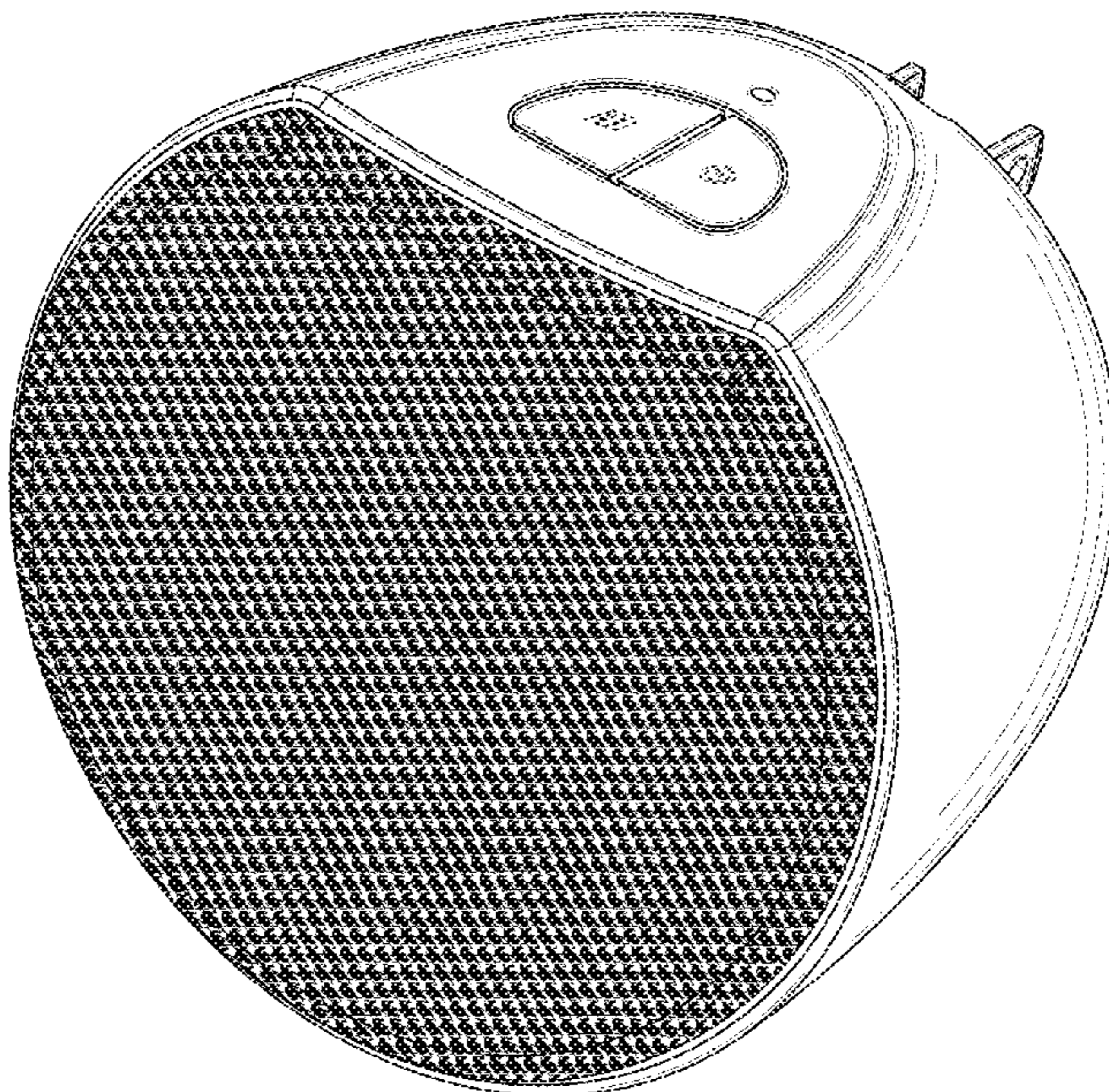
(57) **CLAIM**

The ornamental design for a wireless speaker, as shown and described.

**DESCRIPTION**

FIG. 1 is a top, front, right side perspective view of a wireless speaker, showing my new design; FIG. 2 is a bottom, rear, left side perspective view thereof; FIG. 3 is a front elevational view thereof; FIG. 4 is a rear elevational view thereof; FIG. 5 is a left side elevational view thereof; FIG. 6 is a right side elevational view thereof; FIG. 7 is a top plan view thereof; and, FIG. 8 is a bottom plan view thereof. The broken lines in the figures illustrate the portions of the wireless speaker and form no part of the claimed design.

**1 Claim, 8 Drawing Sheets**



(56)

**References Cited**

OTHER PUBLICATIONS

US Trademark Serial No. 88809299; Mark—O Filing date: Feb. 25, 2020 Publication date: Jun. 23, 2020.

“Chant Mini Portable Wireless Speaker” by The House of Marley, Found Online on Jul. 14, 2020 [https://pisces.bbystatic.com/image2/BestBuy\\_US/images/products/5685/5685619\\_sa.jpg;maxHeight=640;maxWidth=550](https://pisces.bbystatic.com/image2/BestBuy_US/images/products/5685/5685619_sa.jpg;maxHeight=640;maxWidth=550).

“Wireless Bluetooth Speaker” by Varni Premier, Found Online on Jul. 14, 2020 [https://cdn11.bigcommerce.com/s-pkla4xn3/images/stencil/1280x1280/attribute\\_rule\\_images/105988\\_source\\_1592041478.jpg](https://cdn11.bigcommerce.com/s-pkla4xn3/images/stencil/1280x1280/attribute_rule_images/105988_source_1592041478.jpg).

“VTB-Mini 3D” by Vitebo, Found Online on Jul. 25, 2020 [http://vitebo.com/images/up\\_images/201881193724.jpg](http://vitebo.com/images/up_images/201881193724.jpg).

“Drum Bluetooth Speaker” by Coby, Found Online on Jul. 25, 2020 [https://images-na.ssl-images-amazon.com/images/I/81p9VSsVnuL.\\_AC\\_SL1500\\_.jpg](https://images-na.ssl-images-amazon.com/images/I/81p9VSsVnuL._AC_SL1500_.jpg).

“A106 Mini Portable Bluetooth Speaker” by EWA, Found Online on Jul. 14, 2020 [https://images-na.ssl-images-amazon.com/images/I/61JVtH4dziL.\\_AC\\_SL1500\\_.jpg](https://images-na.ssl-images-amazon.com/images/I/61JVtH4dziL._AC_SL1500_.jpg).

\* cited by examiner

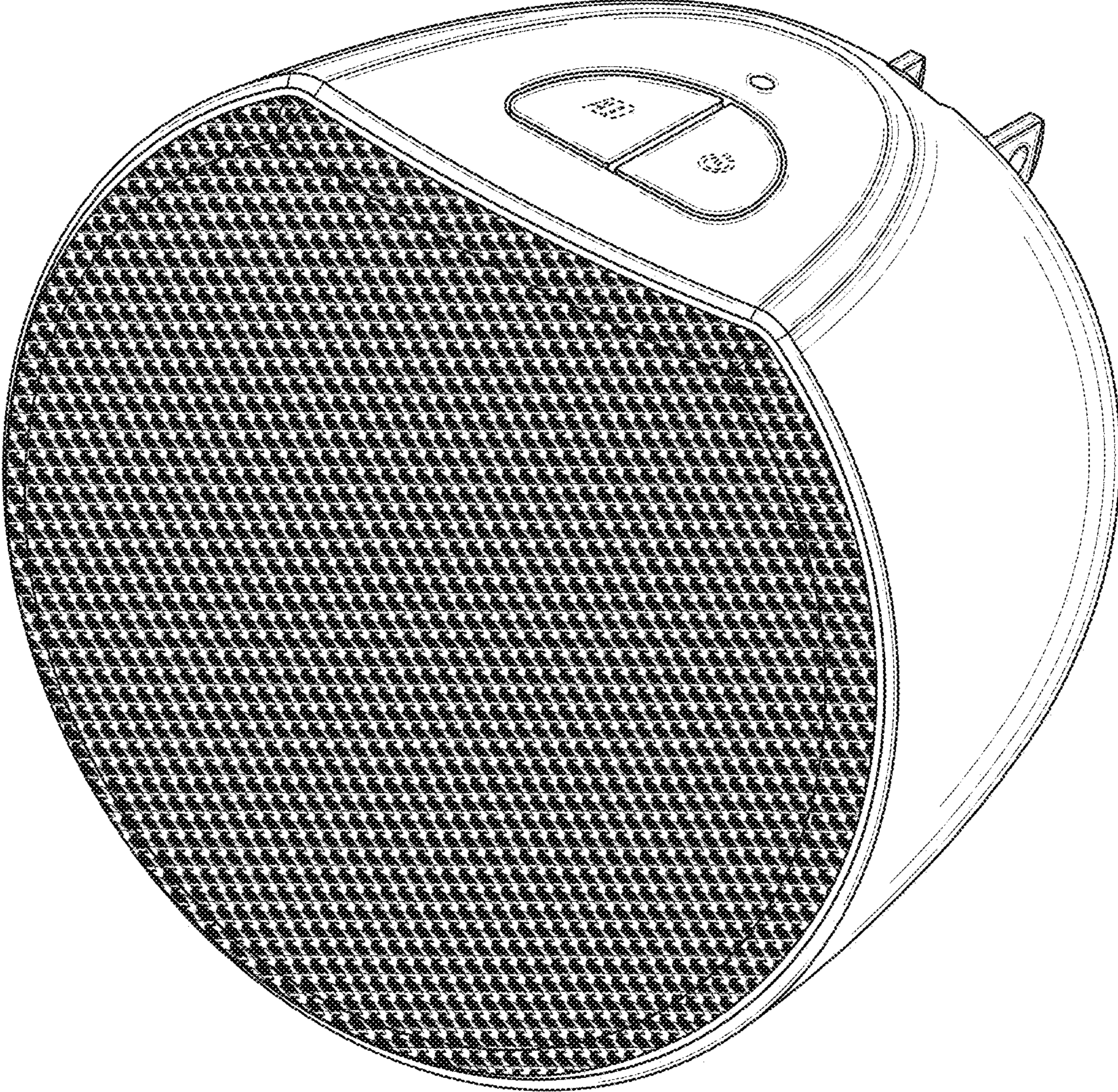


FIG. 1

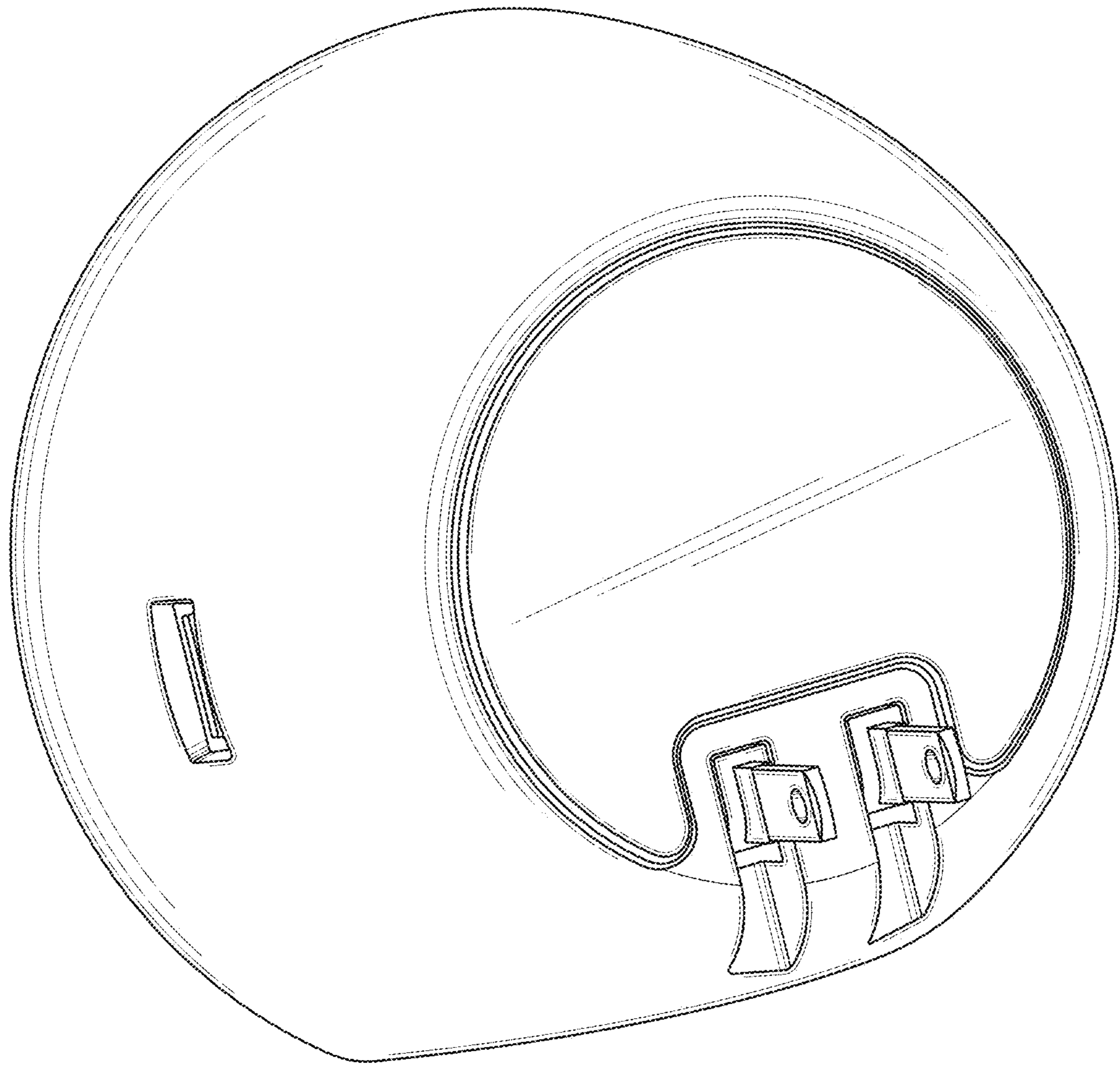


FIG. 2

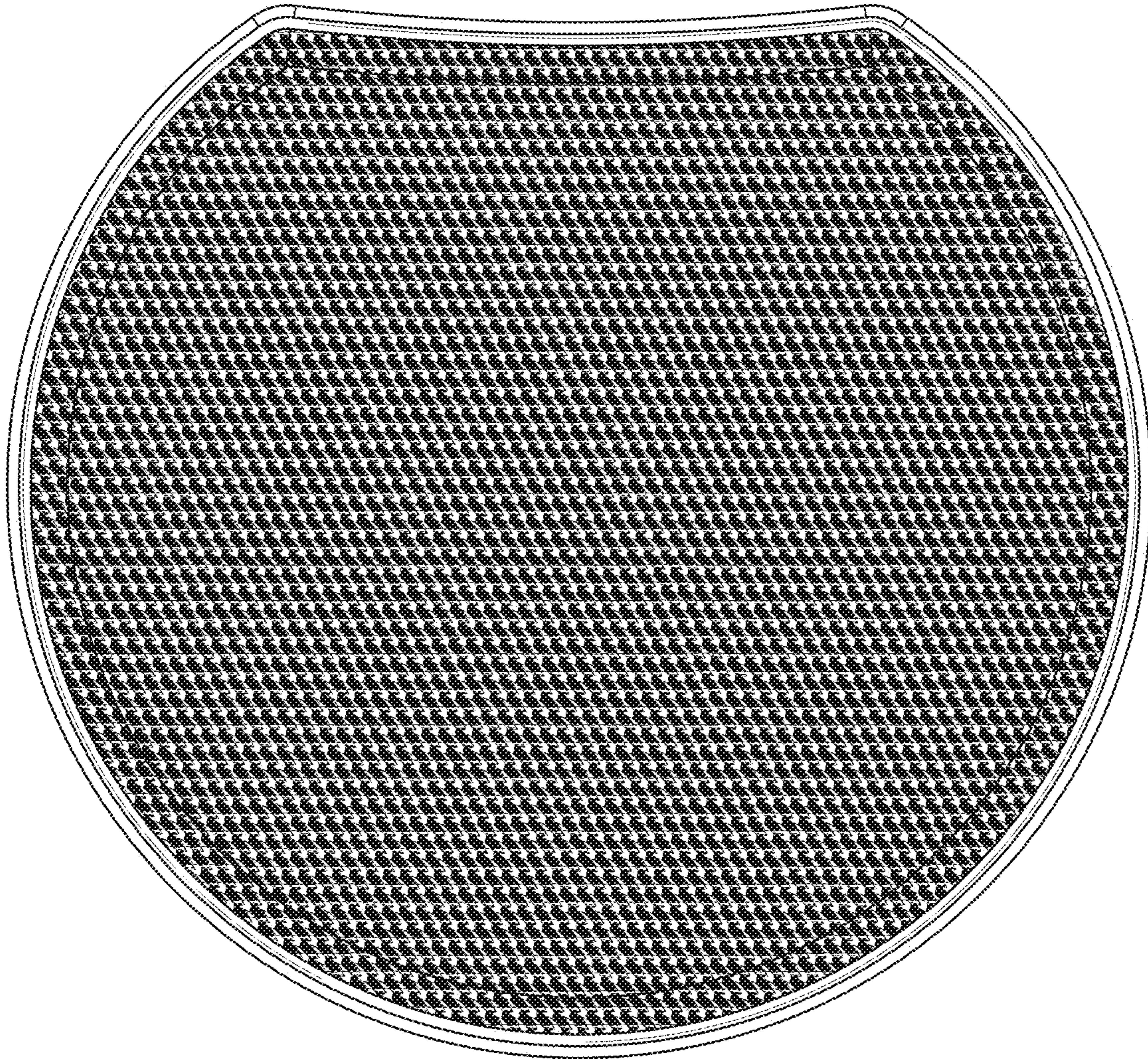


FIG. 3

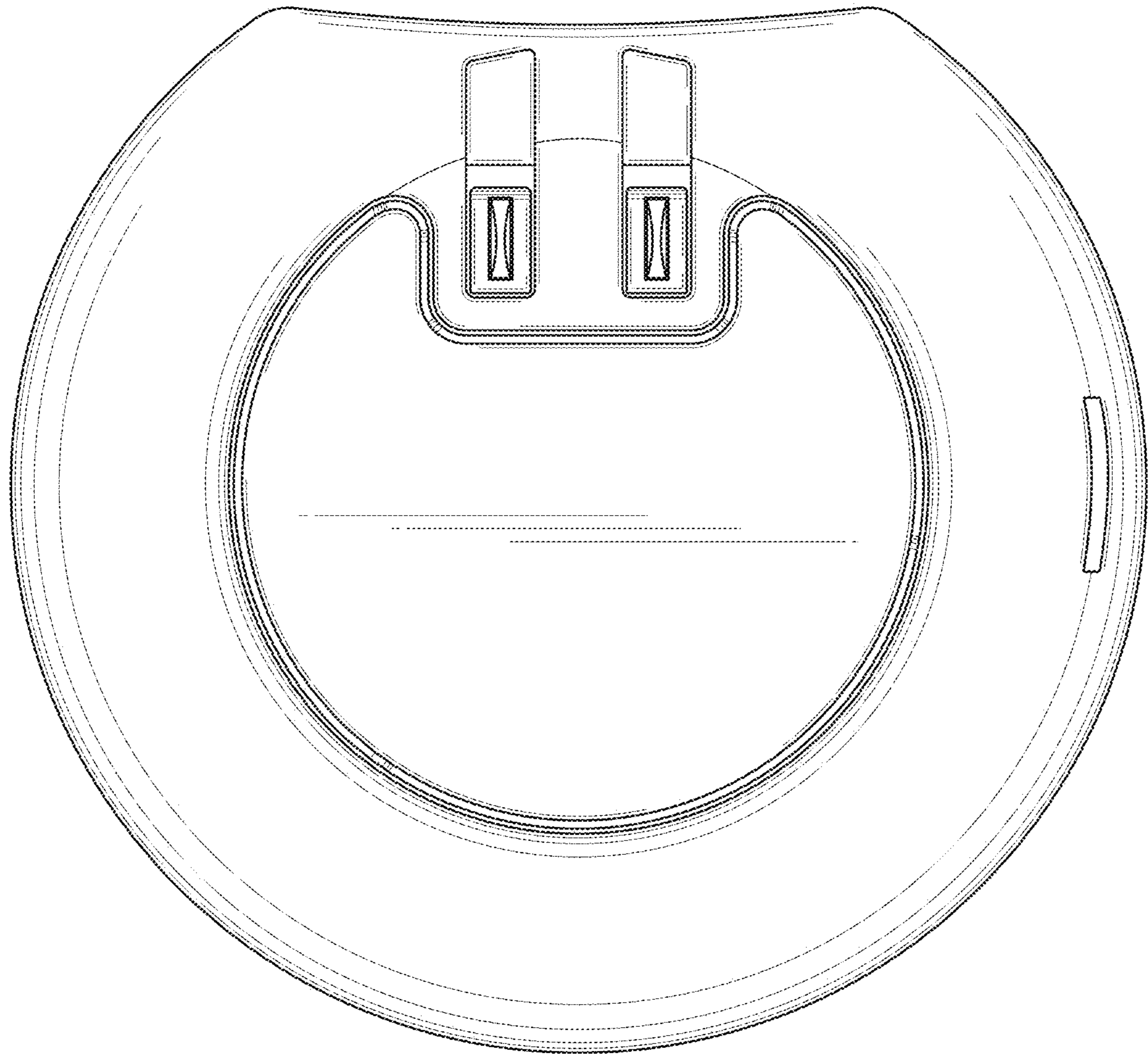


FIG. 4

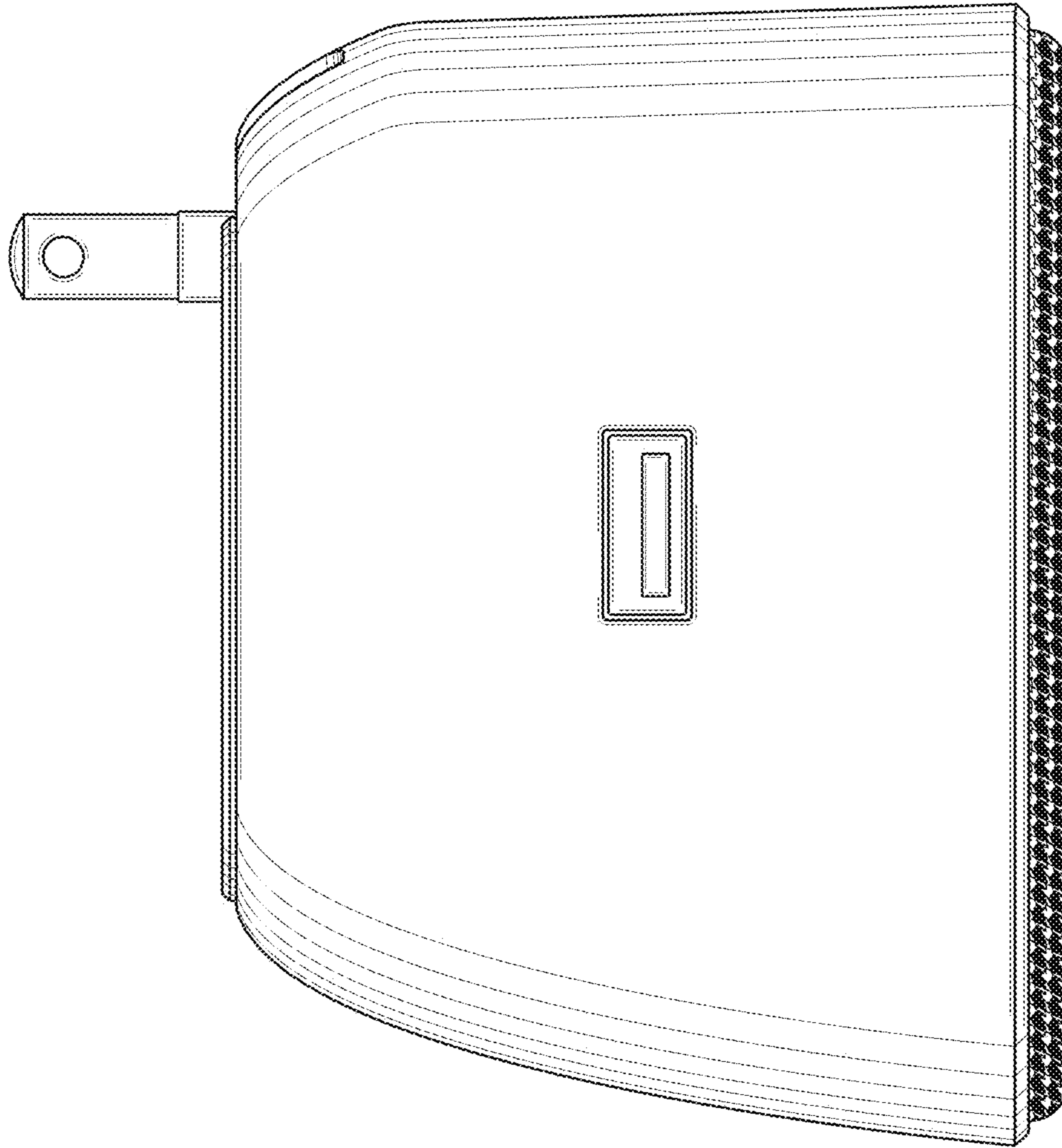


FIG. 5

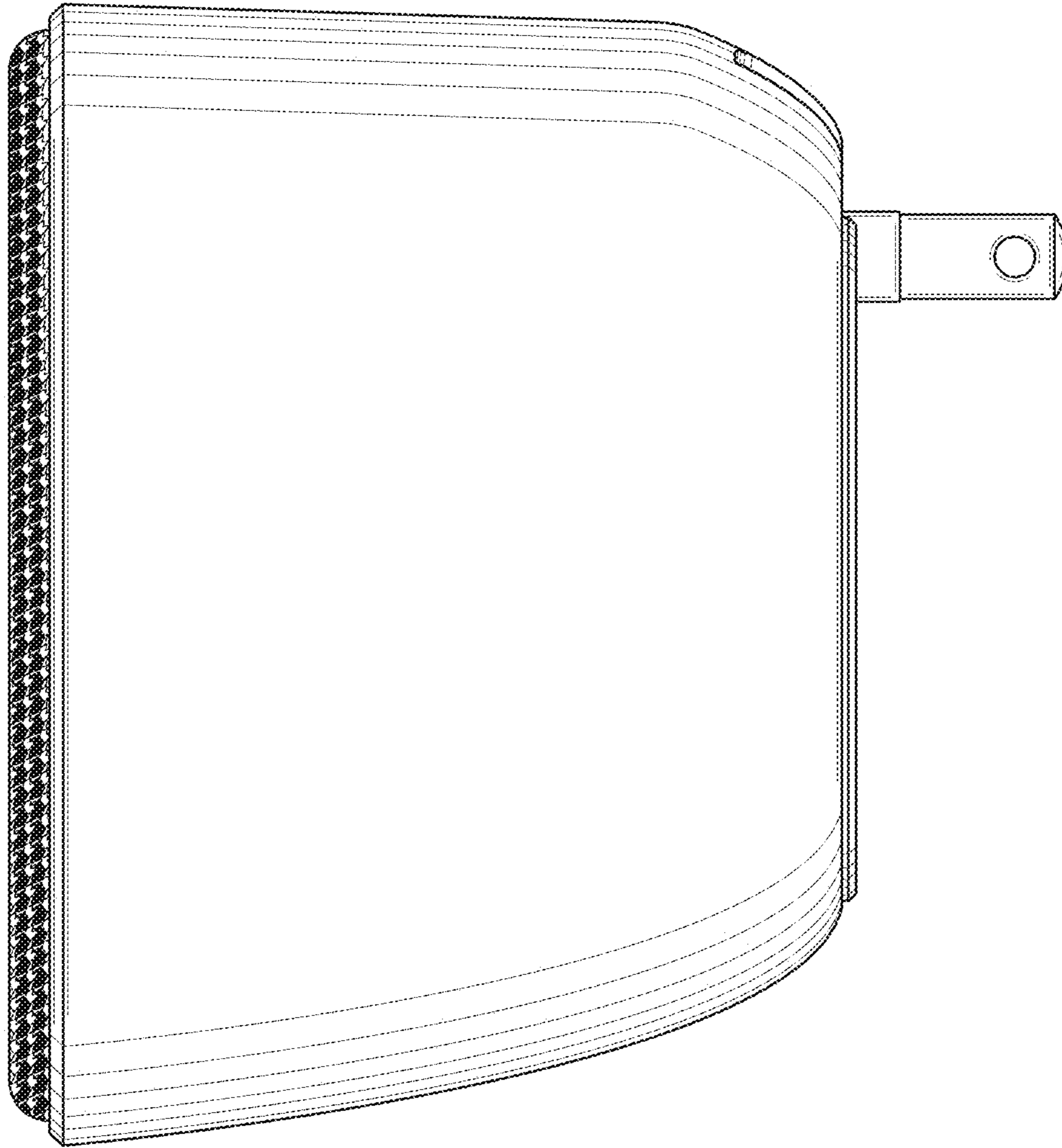


FIG. 6



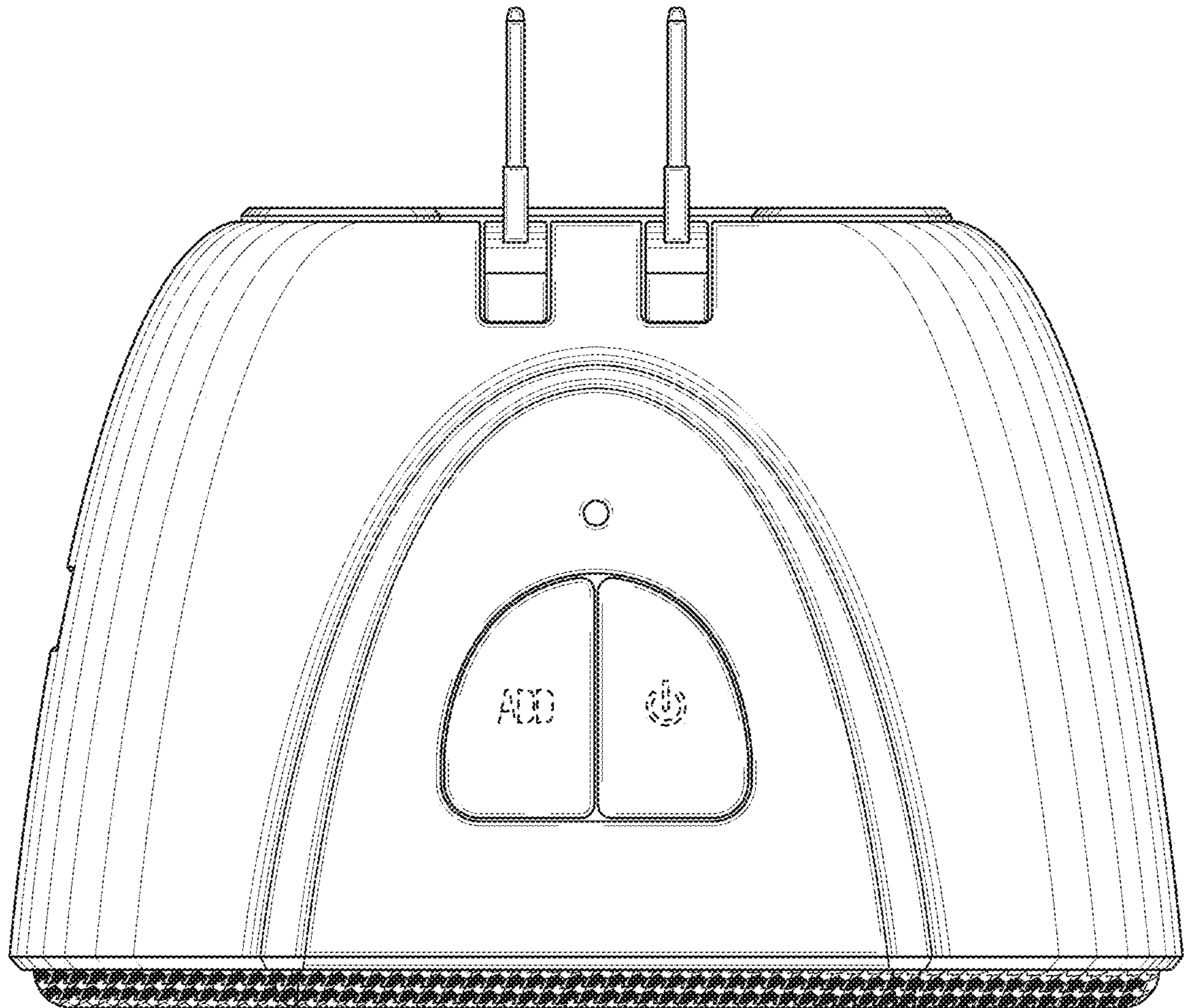


FIG. 7

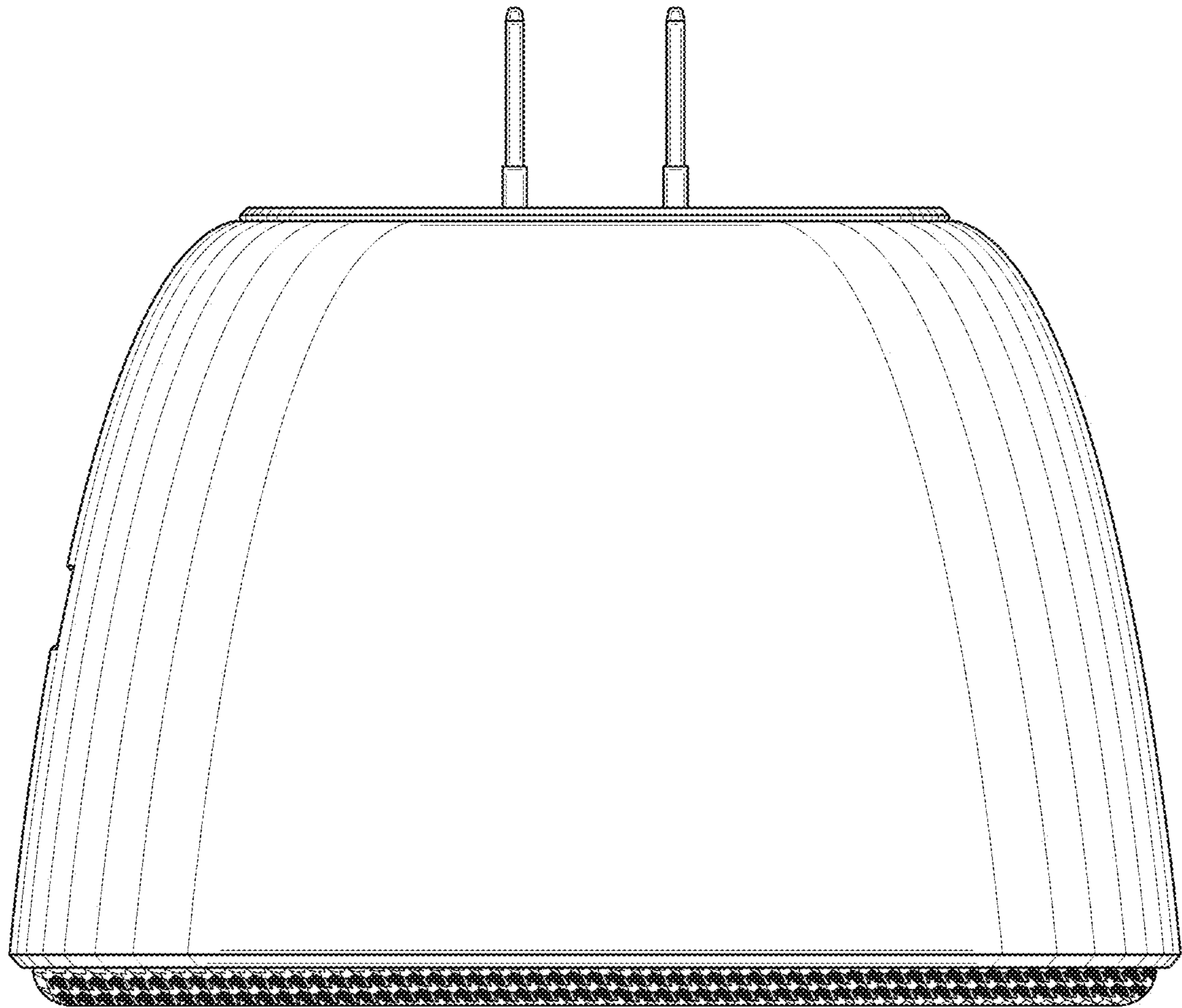


FIG. 8