



US00D982544S

(12) **United States Design Patent**
Tsai et al.

(10) **Patent No.:** **US D982,544 S**
(45) **Date of Patent:** **** Apr. 4, 2023**

(54) **MOBILE PHONE**

(71) Applicant: **HMD Global Oy**, Espoo (FI)

(72) Inventors: **Ping-Chu Tsai**, Taipei (TW);
Shan-Hong Li, Beijing (CN)

(73) Assignee: **HMD Global Oy**, Espoo (FI)

(**) Term: **15 Years**

(21) Appl. No.: **29/813,905**

(22) Filed: **Nov. 2, 2021**

(51) **LOC (14) Cl.** **14-03**

(52) **U.S. Cl.**
USPC **D14/138 G**

(58) **Field of Classification Search**
USPC D14/496, 138 R, 138 AA, 138 AB,
D14/138 AC, 138 AD, 138 C, 138 G,
D14/203.1, 203.3, 203.4, 203.7, 299;
D13/103, 107; D10/50
CPC G06F 3/041; G06F 3/0412; G06F 3/0488;
G06F 3/04883; G06F 1/1613; G06F
1/1686; G06F 1/1626; G06F 2200/1633;
H04M 1/0283; H04M 1/0279; H04M
1/0202; H04M 1/0266; H04M 1/027
See application file for complete search history.

(56) **References Cited**

U.S. PATENT DOCUMENTS

D697,887 S * 1/2014 Yin D14/138 G
D716,279 S * 10/2014 Ou D14/248
D815,633 S * 4/2018 Akana D14/341
D818,498 S * 5/2018 Akana D14/511

(Continued)

FOREIGN PATENT DOCUMENTS

CN 306402468 * 3/2021
CN 307150756 * 3/2022

OTHER PUBLICATIONS

Nokia 8 V 5G UW Unboxing, www.youtube.com, Nov. 10, 2020.
<https://www.youtube.com/watch?v=NAahiZOqS24> (Year: 2020).*

(Continued)

Primary Examiner — Llorelys Martinez

Assistant Examiner — Kwabena A. Ankobiah

(74) *Attorney, Agent, or Firm* — ScienBiziP, P.C.

(57) **CLAIM**

The ornamental design for a mobile phone, as shown and described.

DESCRIPTION

FIG. 1 is a front perspective view of a mobile phone showing our design.

FIG. 2 is a rear perspective view of the mobile phone in FIG. 1.

FIG. 3 is a front elevation view of the mobile phone in FIG. 1.

FIG. 4 is a rear elevation view of the mobile phone in FIG. 1.

FIG. 5 is a left side elevation view of the mobile phone in FIG. 1.

FIG. 6 is a right side elevation view of the mobile phone in FIG. 1.

FIG. 7 is a top plan view of the mobile phone in FIG. 1.

FIG. 8 is a bottom plan view of the mobile phone in FIG. 1.

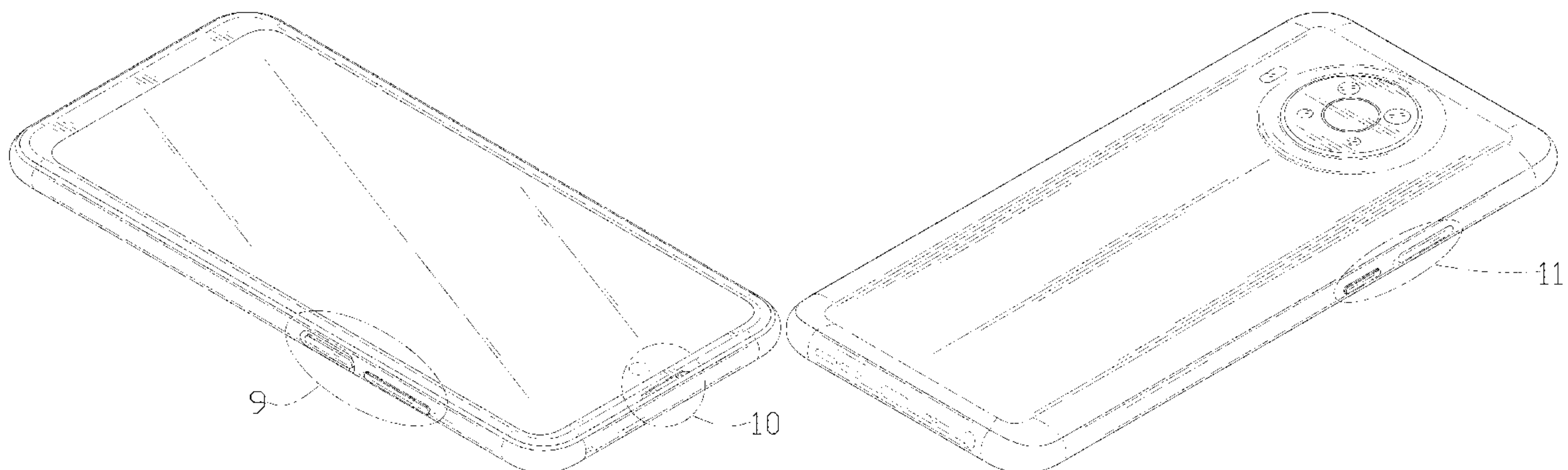
FIG. 9 is an enlarged view thereof, taken from portion 9 in FIG. 1.

FIG. 10 is an enlarged view thereof, taken from portion 10 in FIG. 1; and,

FIG. 11 is an enlarged view thereof, taken from portion 11 in FIG. 2.

The broken lines in the drawings illustrate portions of the mobile phone that form no part of the claimed design. The dot-dash broken lines in FIGS. 1, 2, and 9-11 are included to show a partially enlarged view only and form no part of the claimed design.

1 Claim, 11 Drawing Sheets



(56)

References Cited

U.S. PATENT DOCUMENTS

D829,679 S * 10/2018 Cho D14/138 G
D831,015 S * 10/2018 Choe D14/248
D898,692 S * 10/2020 Lee D14/138 AD
D929,357 S * 8/2021 Guo D14/138 G
D947,804 S * 4/2022 McPhail D14/138 AA
D959,397 S * 8/2022 Xu D14/138 G
D962,213 S * 8/2022 Wang D14/248
D965,548 S * 10/2022 Ma D14/138 C
D967,788 S * 10/2022 Li D14/138 G
D967,790 S * 10/2022 Hung D14/138 G
D972,522 S * 12/2022 Hung D14/138 G

OTHER PUBLICATIONS

Nokia 8.3 5G review:, www.pocket-lint.com, Sep. 22, 2020. <https://www.pocket-lint.com/phones/reviews/nokia/153887-nokia-8-3-5g-review> (Year: 2020).*

HMD's Nokia X20, www.theverge.com, Apr. 8, 2021. <https://www.theverge.com/2021/4/8/22372444/hmd-nokia-x20-specs-release-date-price-news-quad-camera> (Year: 2021).*

* cited by examiner

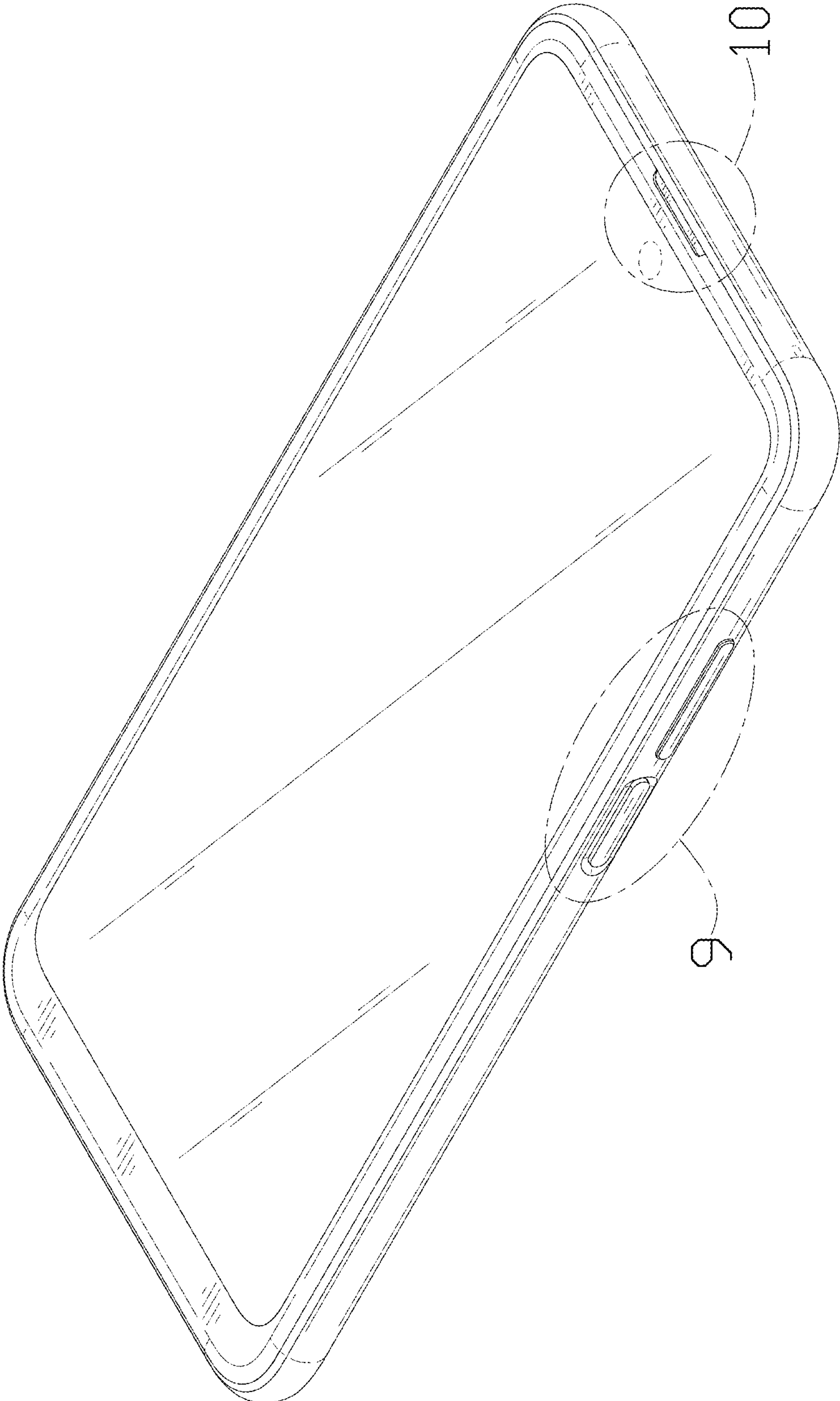


FIG. 1

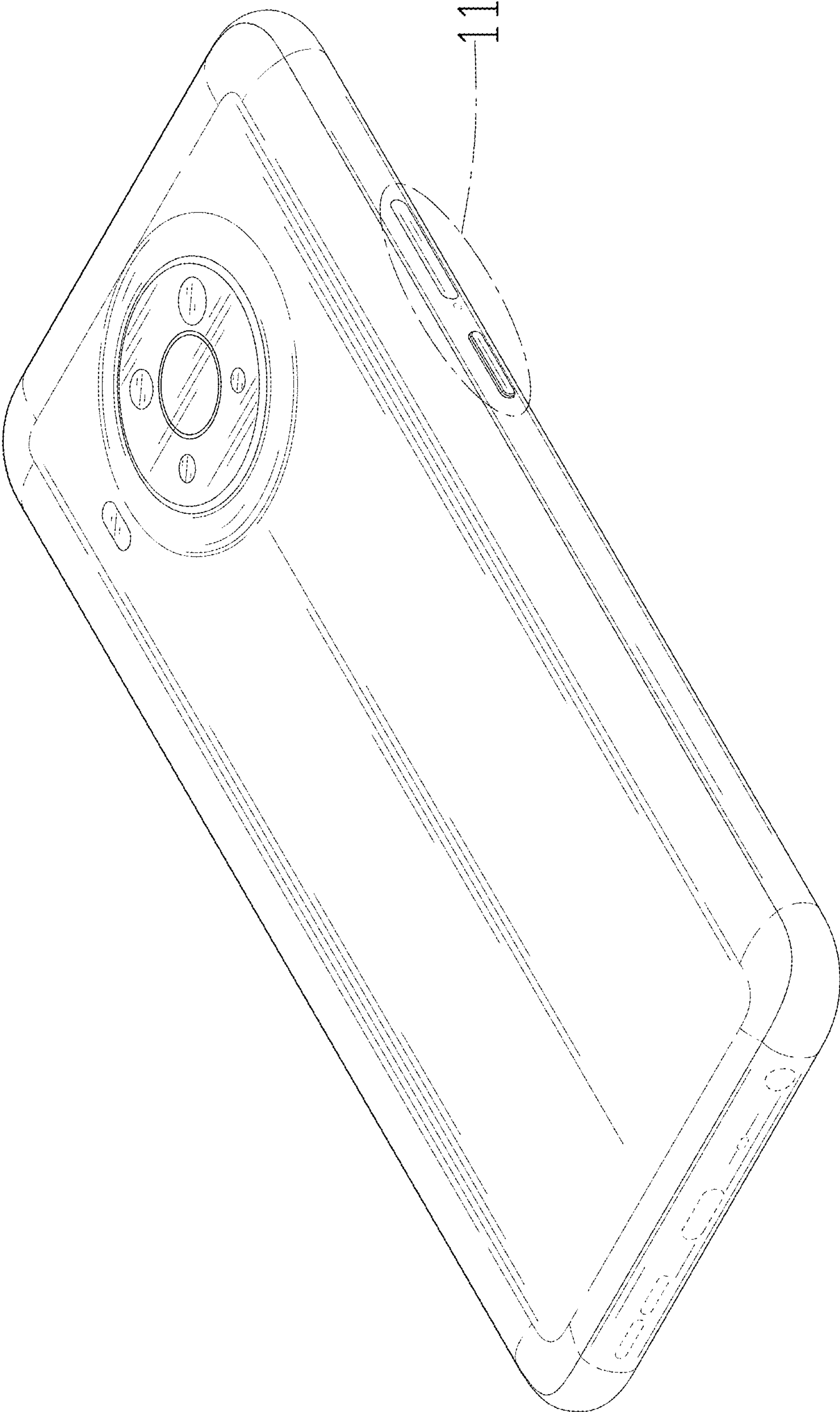


FIG. 2

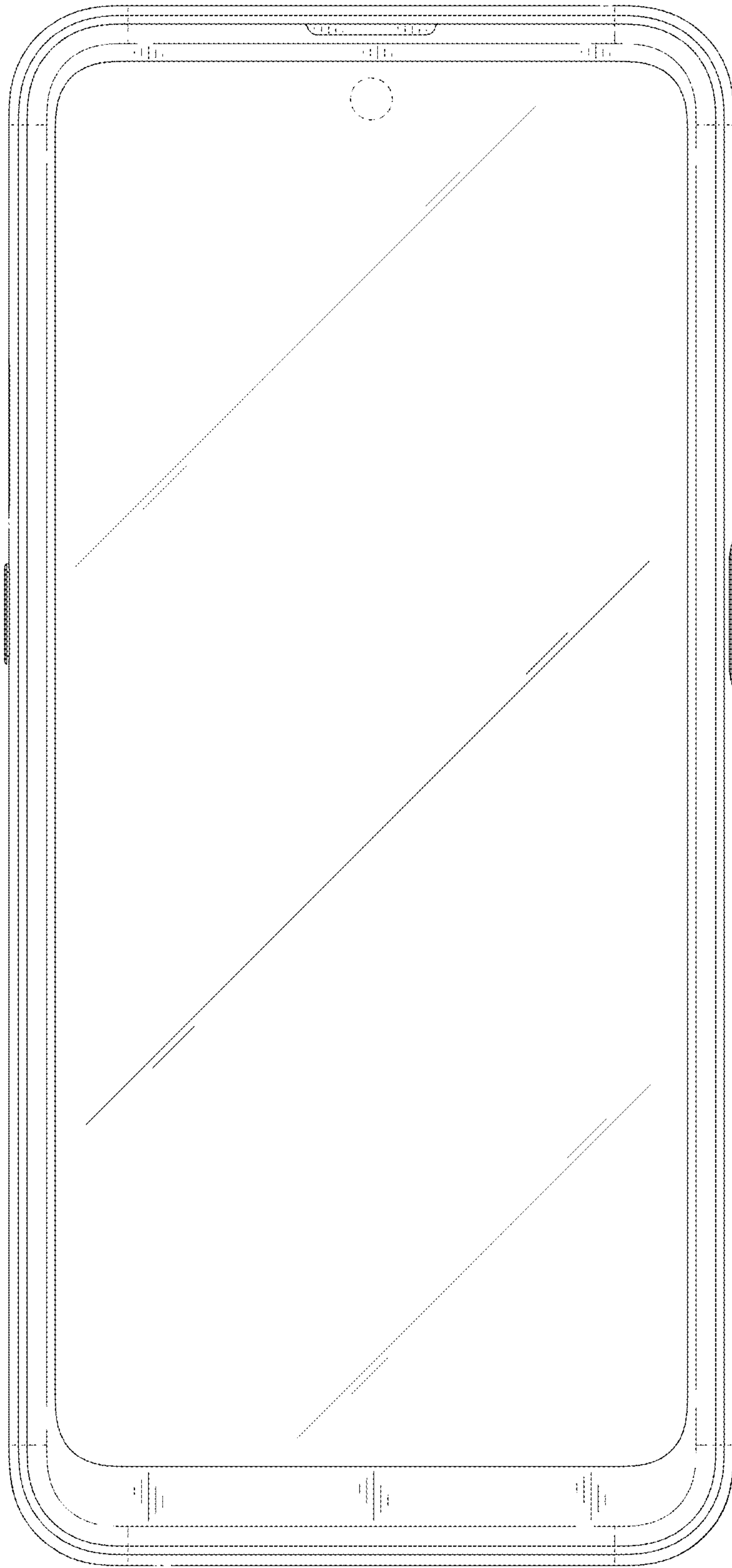


FIG. 3

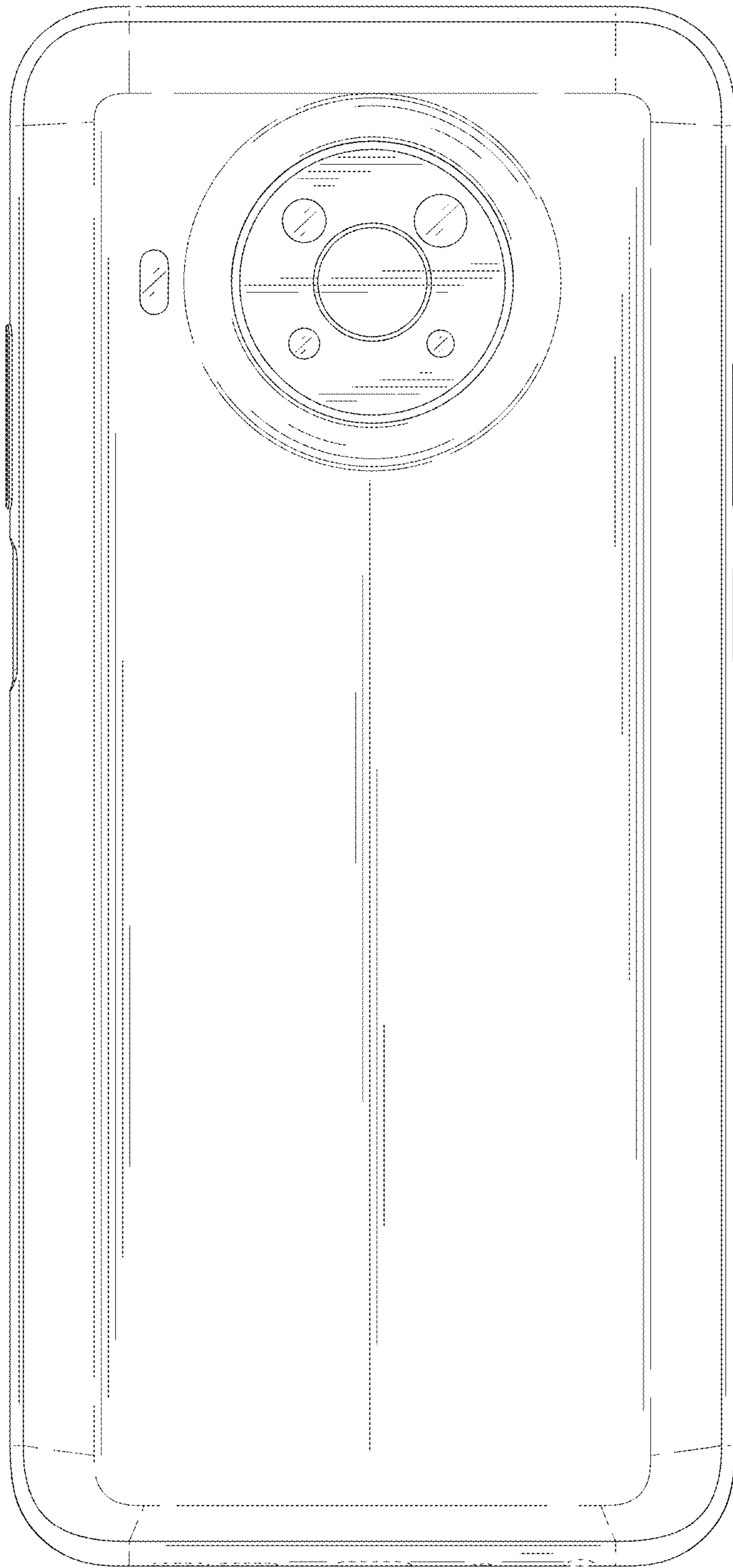


FIG. 4

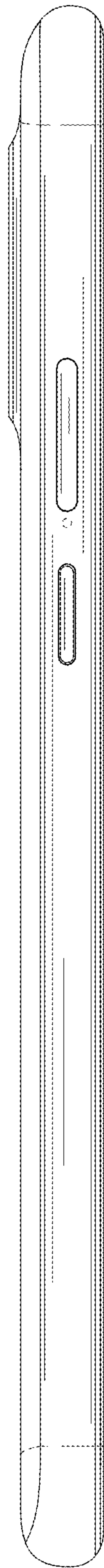


FIG. 5

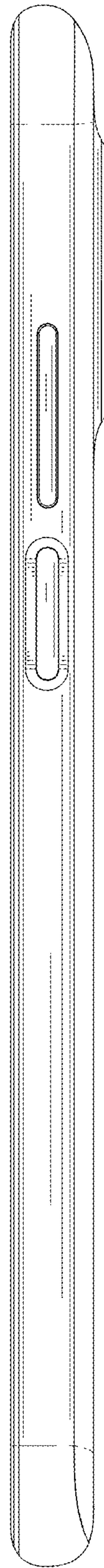


FIG. 6

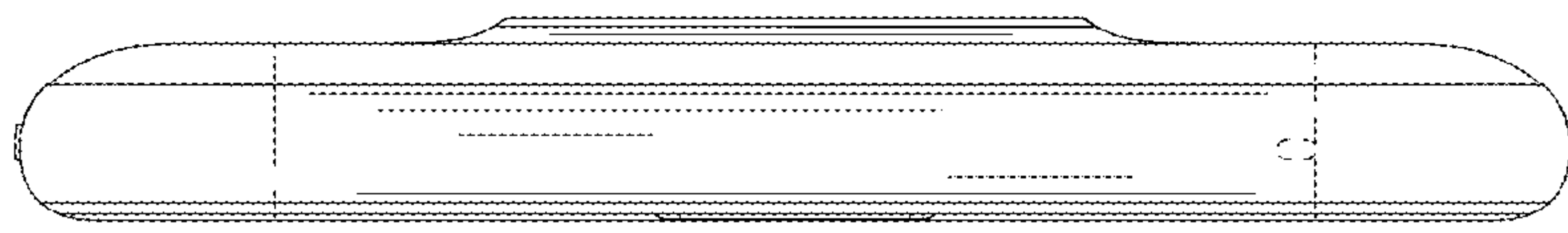


FIG. 7

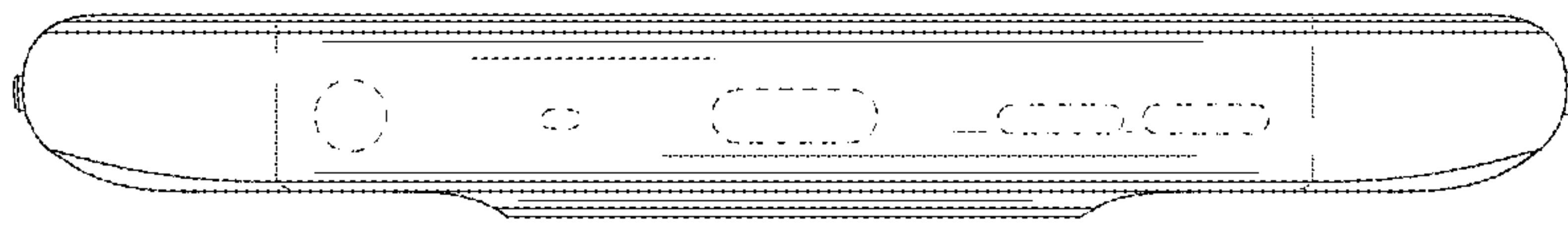


FIG. 8

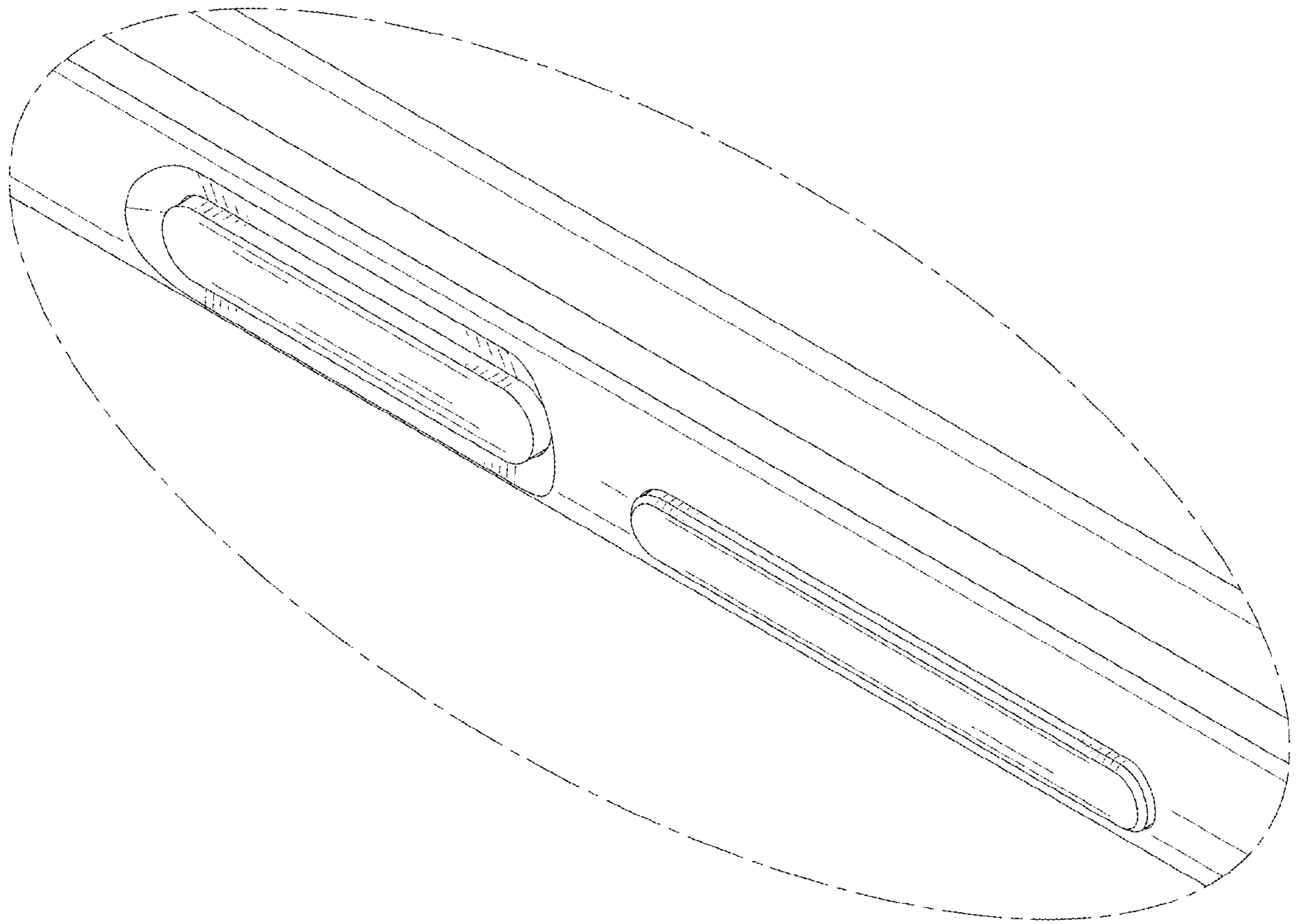


FIG. 9

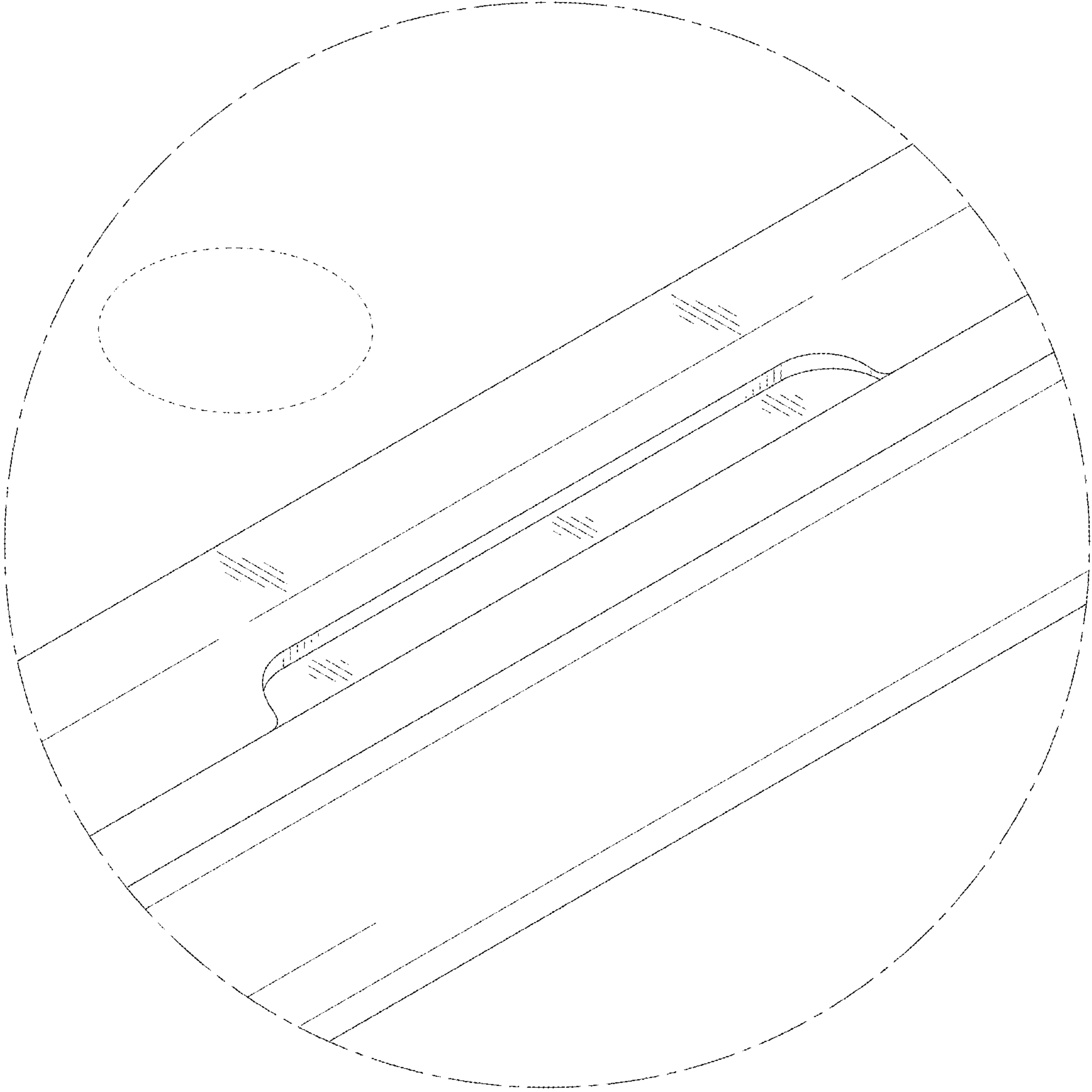


FIG. 10

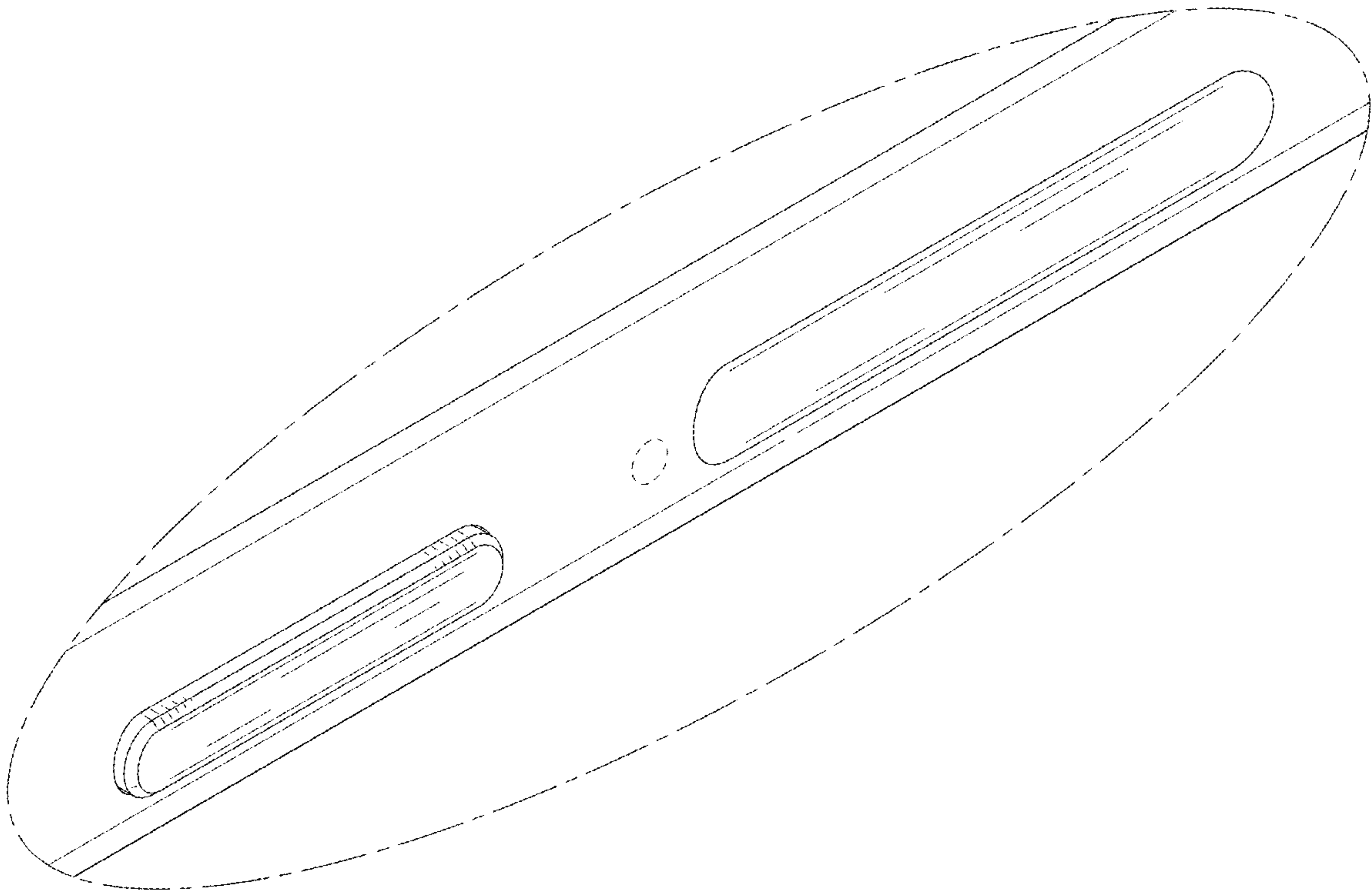


FIG. 11