



US00D982540S

(12) **United States Design Patent** (10) **Patent No.:** **US D982,540 S**
Hong (45) **Date of Patent:** **** Apr. 4, 2023**

(54) **WALKIE TALKIE**
(71) Applicant: **Yongqing Hong**, Fujian (CN)
(72) Inventor: **Yongqing Hong**, Fujian (CN)
(**) Term: **15 Years**

D749,533 S * 2/2016 Sakata D14/137
D752,536 S * 3/2016 Ooi D14/137
D752,537 S * 3/2016 Oikawa D14/137
D754,088 S * 4/2016 Ooi D14/137
D796,466 S * 9/2017 Sakata D14/137
10,477,386 B1 * 11/2019 Cheah H04W 4/027
(Continued)

(21) Appl. No.: **29/693,580**
(22) Filed: **Jun. 3, 2019**

FOREIGN PATENT DOCUMENTS

CN 305291853 * 8/2019
CN 305516196 * 12/2019
(Continued)

(30) **Foreign Application Priority Data**

Apr. 30, 2019 (CN) 201930210539.3

(51) **LOC (14) Cl.** **14-03**
(52) **U.S. Cl.**
USPC **D14/137**

(58) **Field of Classification Search**
USPC D14/137, 138 AA, 147, 148, 218, 155,
D14/159, 142, 225, 226, 191, 203.3,
D14/203.7, 203.1, 203.5, 188, 192,
D14/194-198; D21/517; D10/104.1,
D10/104.2, 106.1, 65, 78; D13/168;
D30/199
CPC H04B 1/3833; H04B 1/3827; H04B
2001/3861; G08B 21/0202

See application file for complete search history.

OTHER PUBLICATIONS

Its Official!>>>Wln kdc30,Facebook, posted Nov. 30, 2019, [online],
[site visited May 11, 2022]. Internet URL: <https://www.facebook.com/emergingdragon88/photos/pcb.2748625785201865/2748625015201942/?type=3&theater> (Year: 2019).*

(Continued)

Primary Examiner — Jeffrey D Asch

(57) **CLAIM**

The ornamental design for a walkie talkie, as shown and described.

DESCRIPTION

FIG. 1 is a front elevational view of a walkie talkie showing my new design;

FIG. 2 is a rear elevational view thereof;

FIG. 3 is a left side view thereof;

FIG. 4 is a right side view thereof;

FIG. 5 is a top plan view thereof;

FIG. 6 is a bottom plan view thereof;

FIG. 7 is a perspective view thereof; and,

FIG. 8 is another perspective view thereof.

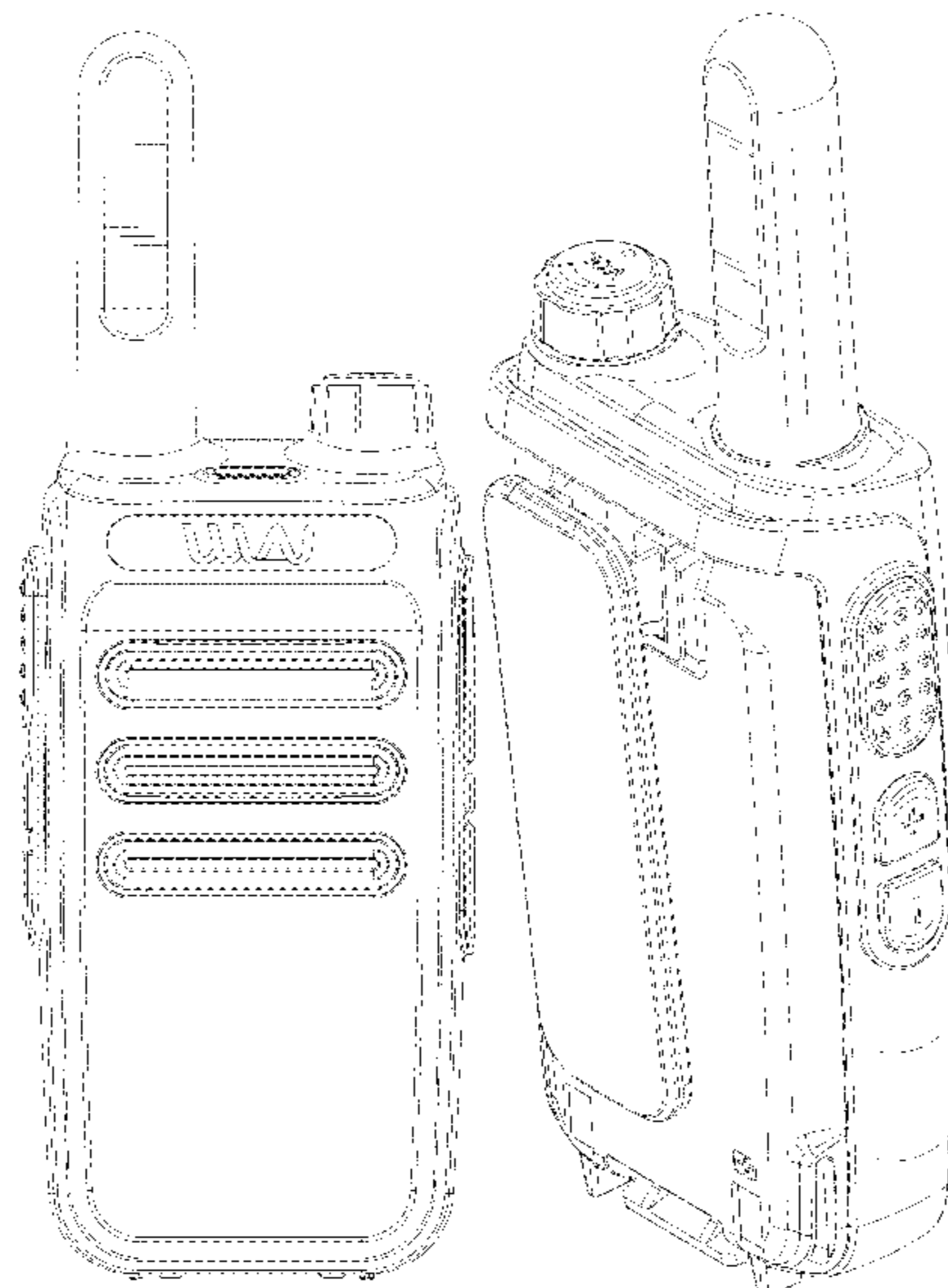
The broken lines show portions of the walkie talkie that form no part of the claimed design.

(56) **References Cited**

U.S. PATENT DOCUMENTS

D243,409 S * 2/1977 Eckmann D14/191
D302,686 S * 8/1989 Claxton D14/137
D616,845 S * 6/2010 Xia D14/137
D645,009 S * 9/2011 Kaminsky D14/137
D653,637 S * 2/2012 Ismail D14/137
D663,277 S * 7/2012 Yong D14/137
D711,346 S * 8/2014 Ismail D14/137
D717,258 S * 11/2014 Garra D14/137
D717,259 S * 11/2014 Ooi D14/137
D721,050 S * 1/2015 Kaner D14/137
D738,357 S * 9/2015 Khairudin D14/226

1 Claim, 8 Drawing Sheets



(56)

References Cited

U.S. PATENT DOCUMENTS

D878,316 S * 3/2020 Duman D14/137
D892,071 S * 8/2020 Zhang D14/137
D917,410 S * 4/2021 Suzuki D14/137
D925,142 S * 7/2021 Jia D10/104.1
D927,442 S * 8/2021 Hong D14/137
2017/0118003 A1 * 4/2017 Qu H04W 4/10

FOREIGN PATENT DOCUMENTS

CN 305595979 * 2/2020
CN 305626049 * 2/2020
CN 305645461 * 3/2020
CN 305725350 * 4/2020
CN 305878160 * 6/2020
CN 306432297 * 4/2021
CN 306460927 * 4/2021
CN 306629579 * 6/2021

OTHER PUBLICATIONS

Retevis RB635 Walkie Talkies . . . , amazon.com, first available date Jun. 21, 2020, [online], [site visited May 11, 2022]. Internet URL: <https://www.amazon.co.uk/Retevis-Talkies-Flashlight-License-Walkie-Talkies-Black/dp/B08BLLB2CZ> (Year: 2020).*

Midland Consumer Radio BR200 . . . , amazon.com, first available date Apr. 17, 2017, [online], [site visited May 11, 2022]. Internet URL: <https://www.amazon.com/Midland-Consumer-BR200-Business-Portable/dp/B071Y8LN4M?th=1> (Year: 2017).*

* cited by examiner



Fig. 1

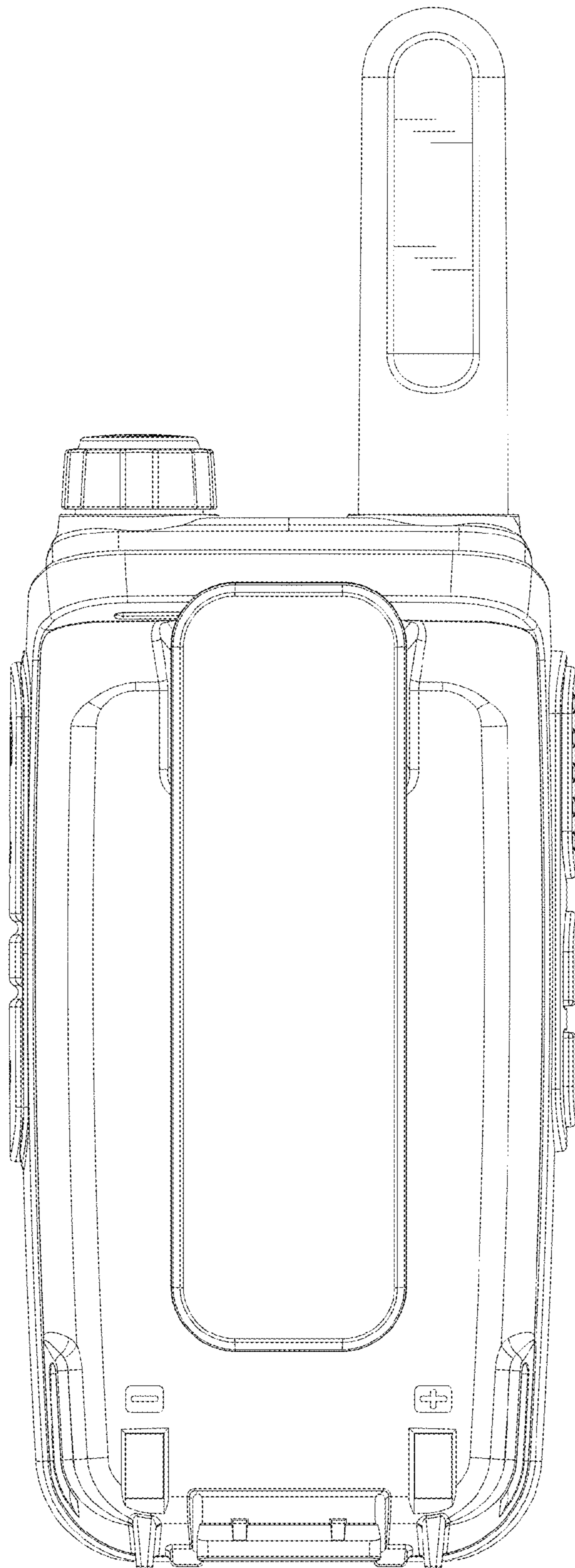


Fig. 2

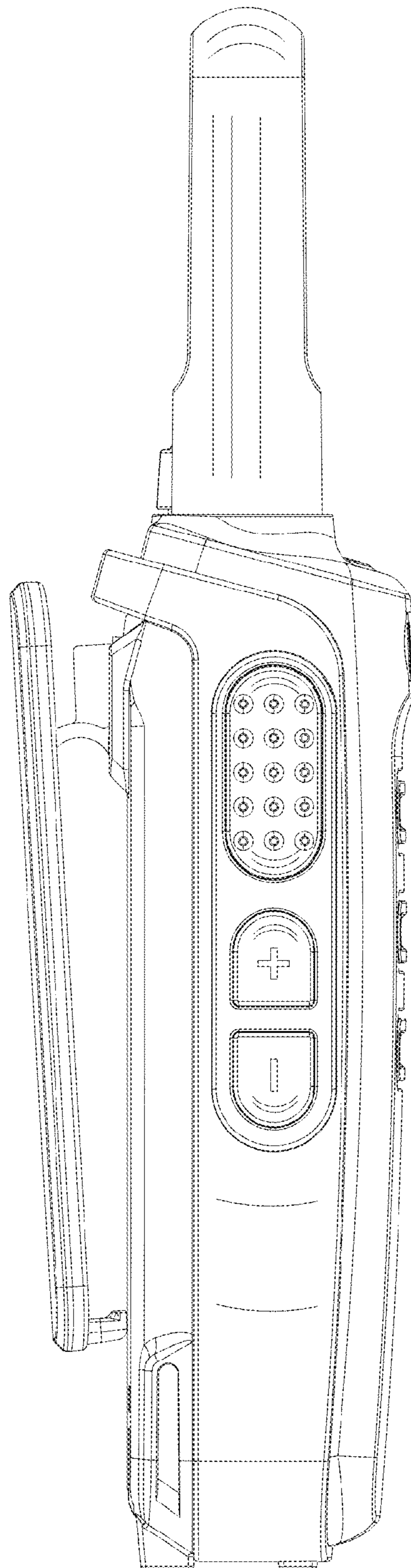


Fig. 3

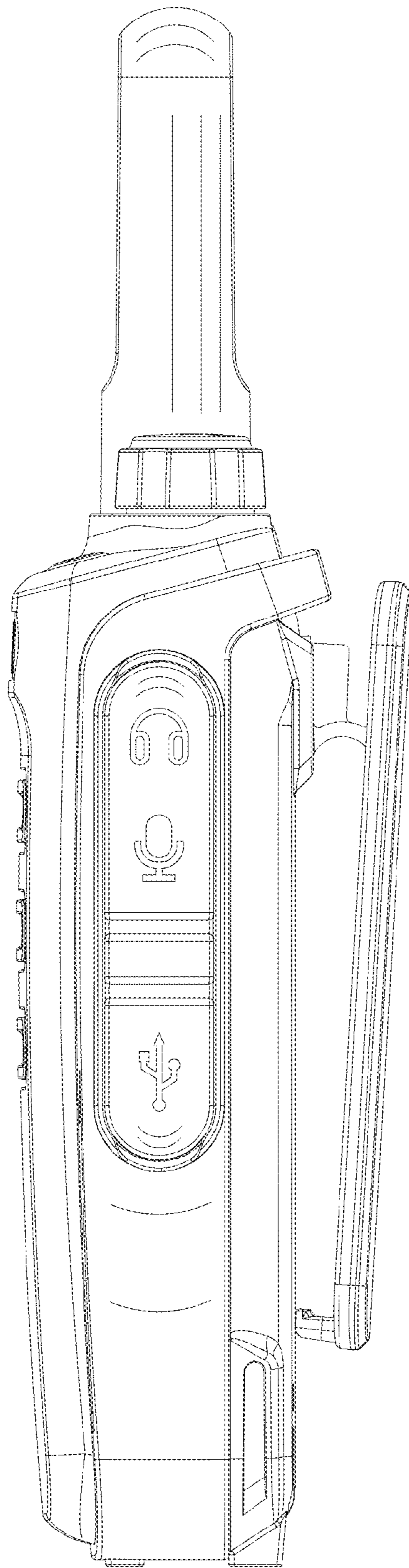


Fig. 4

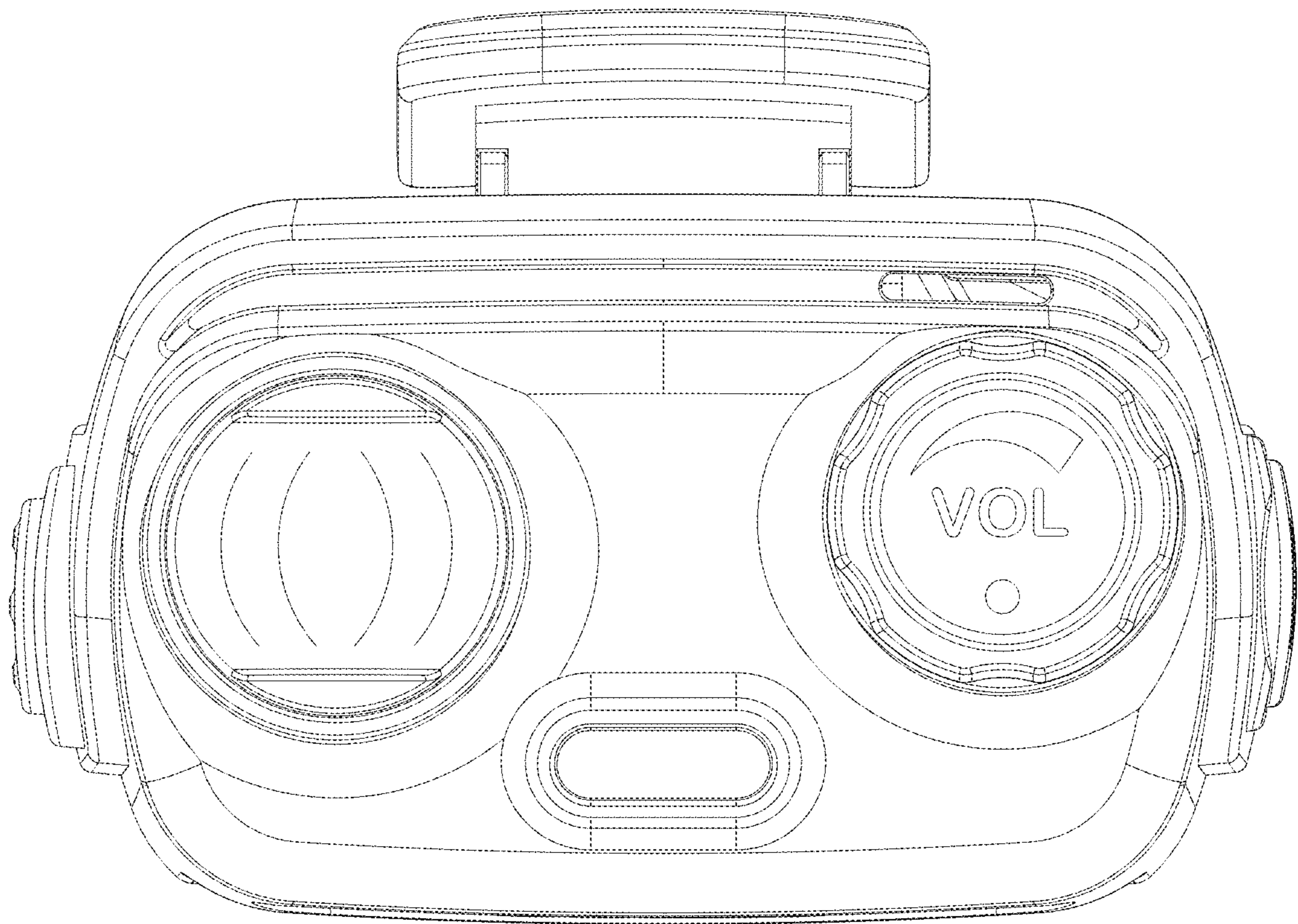


Fig. 5

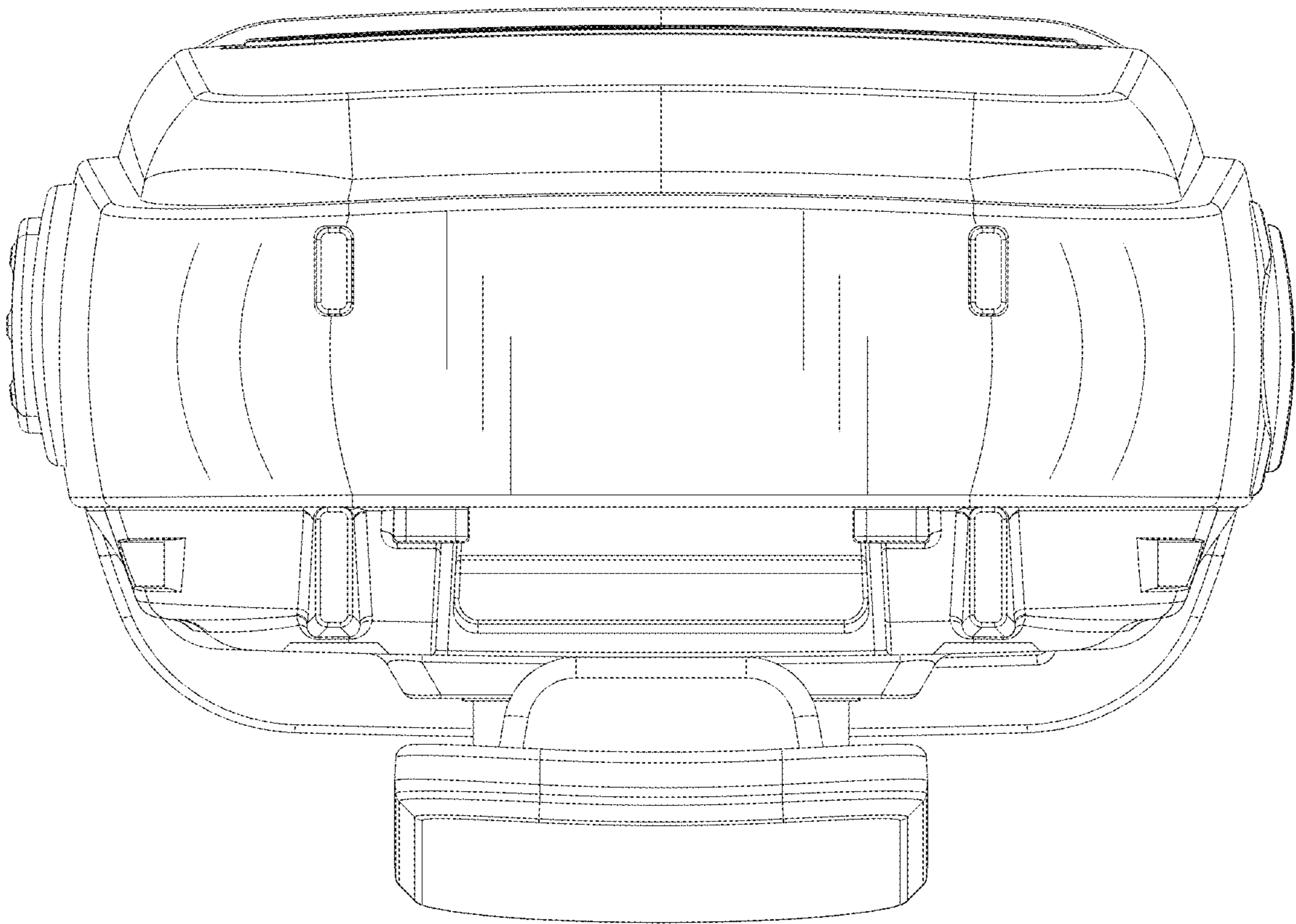


Fig. 6



Fig. 7

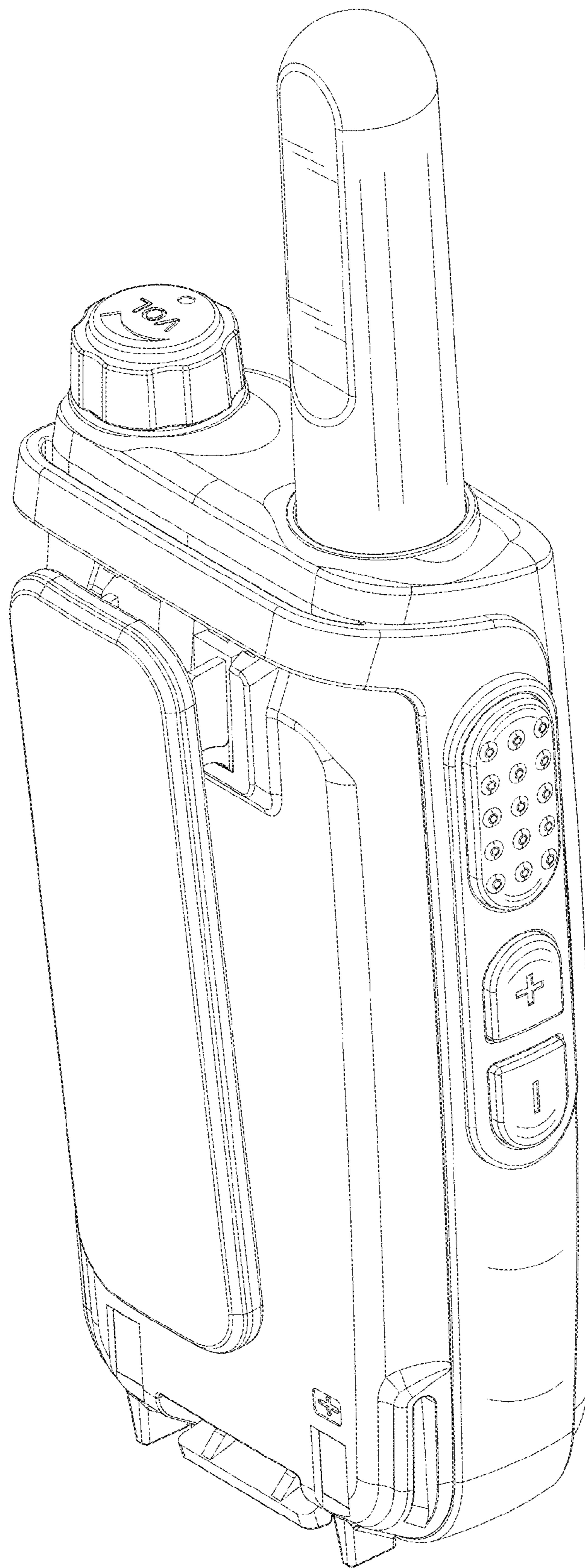


Fig. 8