



US00D982535S

(12) **United States Design Patent**
Rosenbaum

(10) **Patent No.:** **US D982,535 S**

(45) **Date of Patent:** **** Apr. 4, 2023**

(54) **SWITCH ACTUATOR FOR A MOUNTABLE LIGHT**

(71) Applicant: **Milspec Enterprises, LLC**, Panorama City, CA (US)

(72) Inventor: **Yosef Rosenbaum**, Los Angeles, CA (US)

(73) Assignee: **Milspec Enterprises, LLC**, Panorama City, CA (US)

(**) Term: **15 Years**

(21) Appl. No.: **29/821,314**

(22) Filed: **Dec. 29, 2021**

(51) **LOC (14) Cl.** **13-03**

(52) **U.S. Cl.**
USPC **D13/174; D22/108**

(58) **Field of Classification Search**
USPC **D13/158, 160, 169, 171, 173, 174; D22/108, 109, 110, 199**

CPC .. **H01H 3/02; H01H 3/04; H01H 3/08; H01H 3/12; H01H 3/122; H01H 9/02; H01H 9/0235; H01H 9/04; H01H 9/041; H01H 13/02; H01H 13/023; H01H 13/04; H01H 13/06; H01H 13/10; H01H 13/12; H01H 13/14; H01H 13/20; H01H 13/28; H01H 13/50; H01H 13/58; H01H 13/70; H01H 13/86; H01H 19/04; H01H 19/06; H01H 19/065; H01H 19/14; H01H 223/002; H01H 223/003; H05K 5/0017; G08C 17/02; F41C 27/00; F41G 1/32; F41G 1/34; F41G 1/35; F41G 1/36; F41G 11/00; F41G 11/001; F41G 11/003; H01R 24/58**

See application file for complete search history.

(56) **References Cited**

U.S. PATENT DOCUMENTS

D402,270 S * 12/1998 Garrity, Sr. D13/174
D513,237 S * 12/2005 Langner D13/174

7,188,978 B2 * 3/2007 Sharrah F21S 9/02
362/396
D629,358 S * 12/2010 Slippy D13/133
D702,649 S * 4/2014 Ichio D13/174
8,944,626 B2 * 2/2015 Matthews F21V 23/0414
362/112
9,435,522 B2 * 9/2016 Galli F21V 23/003
D847,767 S * 5/2019 Dobler D13/174
D859,567 S * 9/2019 Geissele D22/108

(Continued)

Primary Examiner — Selina Sikder

(74) *Attorney, Agent, or Firm* — Asgaard Patent Services, LLC; F. Wayne Thompson, Jr.

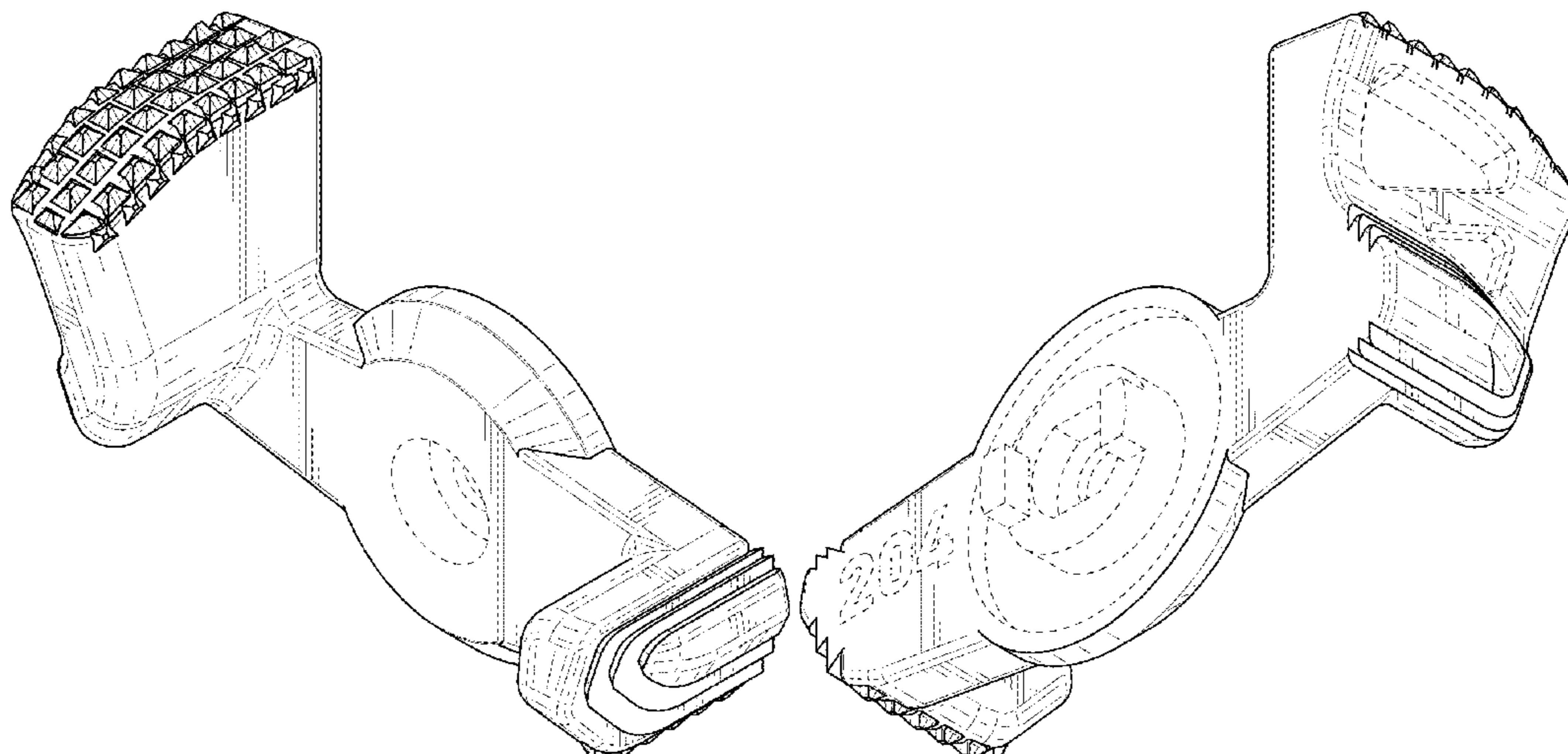
(57) **CLAIM**

The ornamental design for a switch actuator for a mountable light, as shown and described.

DESCRIPTION

FIG. 1 is a top isometric view of a switch actuator for a mountable light according to the present disclosure; FIG. 2 is a bottom isometric view of the switch actuator for a mountable light shown in FIG. 1; FIG. 3 is a front elevational view of the switch actuator for a mountable light shown in FIG. 1; FIG. 4 is a right side elevational view of the switch actuator for a mountable light shown in FIG. 1; FIG. 5 is a back elevational view of the switch actuator for a mountable light shown in FIG. 1; FIG. 6 is a left side elevational view of the switch actuator for a mountable light shown in FIG. 1; FIG. 7 is a top plan view of the switch actuator for a mountable light shown in FIG. 1; and, FIG. 8 is a bottom plan view of the switch actuator for a mountable light shown in FIG. 1. The broken lines represent portions of the switch actuator for a mountable light that form no part of the claimed design.

1 Claim, 4 Drawing Sheets



(56)

References Cited

U.S. PATENT DOCUMENTS

D885,510	S *	5/2020	Wells	D22/108
10,670,251	B1 *	6/2020	Hawk	F21L 4/005
10,948,266	B2 *	3/2021	Wells	F41G 1/345
2009/0140015	A1 *	6/2009	Faifer	F41C 23/16
					224/191
2011/0255270	A1 *	10/2011	Gross	F41C 23/16
					362/110
2016/0102943	A1 *	4/2016	Teetzel	F41G 1/35
					42/113
2017/0067720	A1 *	3/2017	Visinski	F41G 11/003
2018/0283670	A1 *	10/2018	Galli	F41G 11/003
2019/0226809	A1 *	7/2019	Anderson	F41G 11/004

* cited by examiner

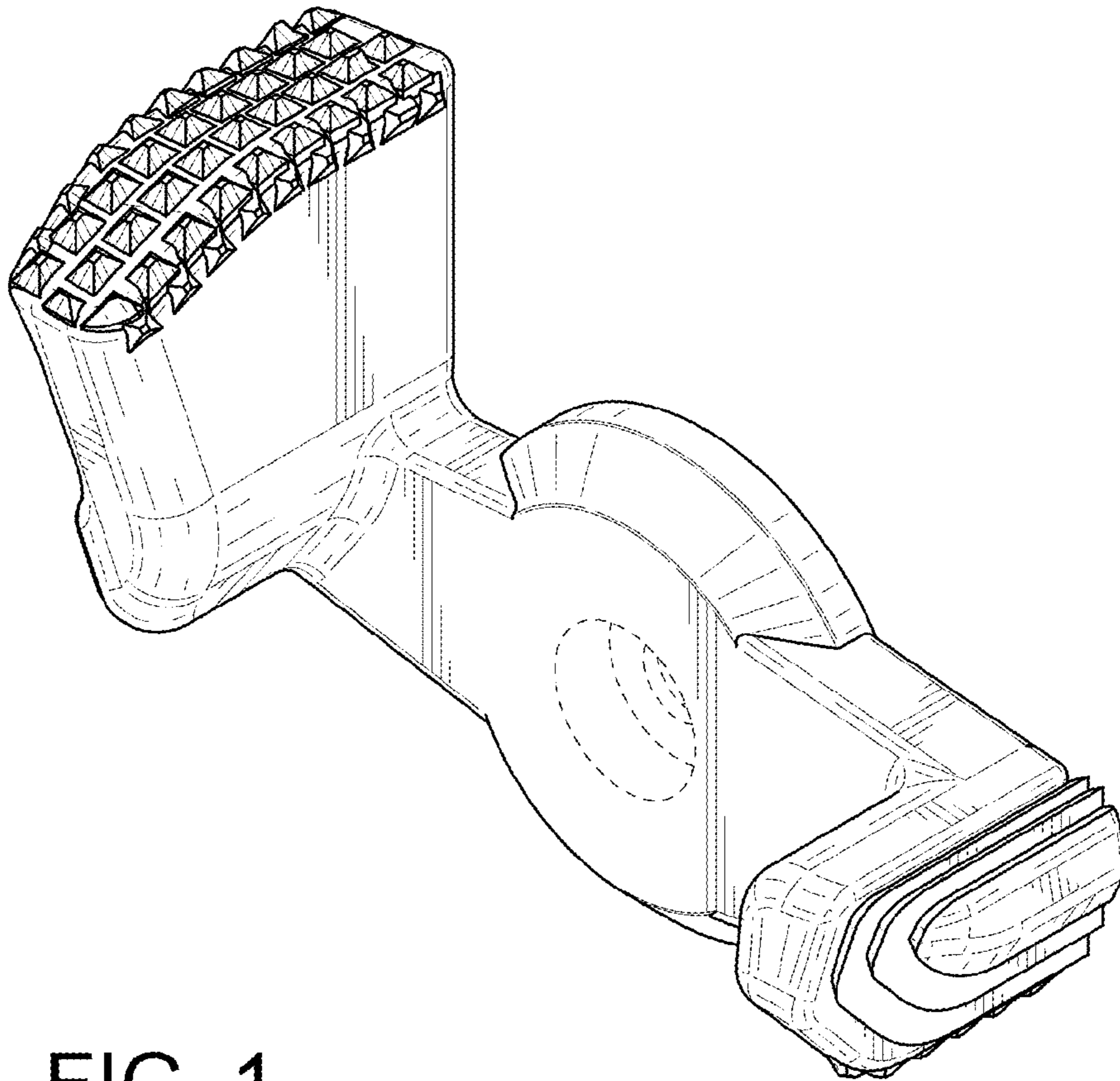


FIG. 1

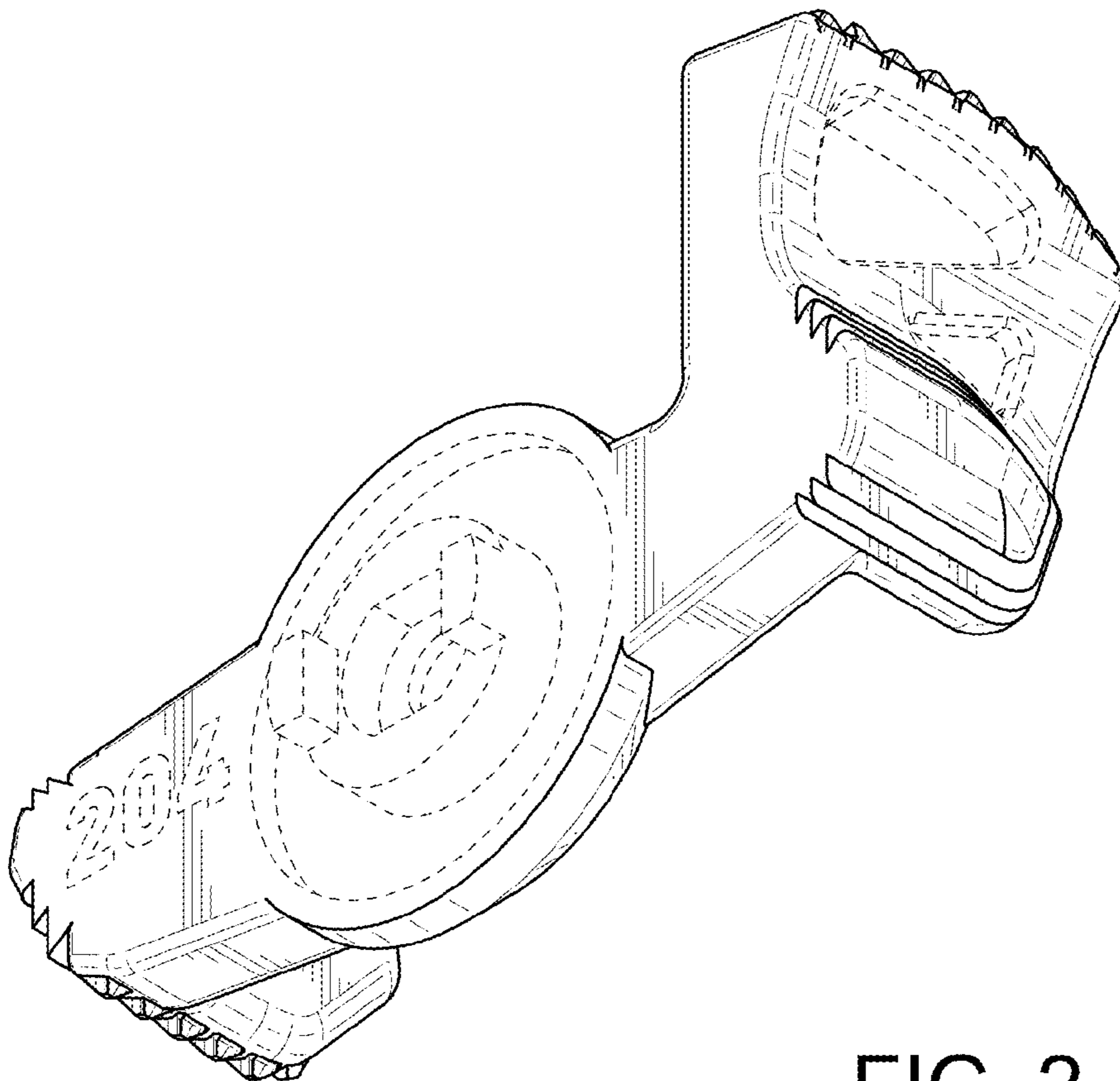


FIG. 2

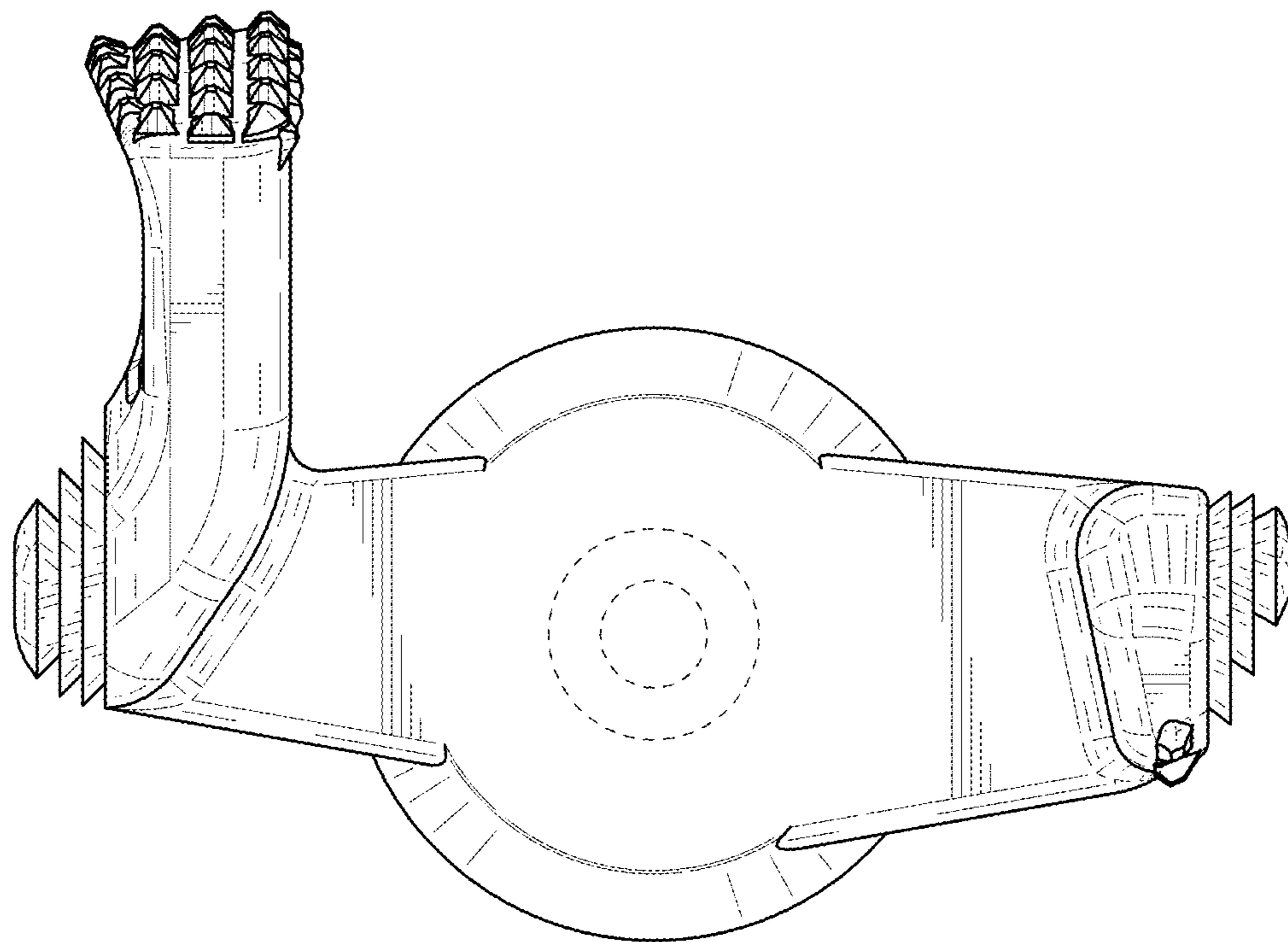


FIG. 3

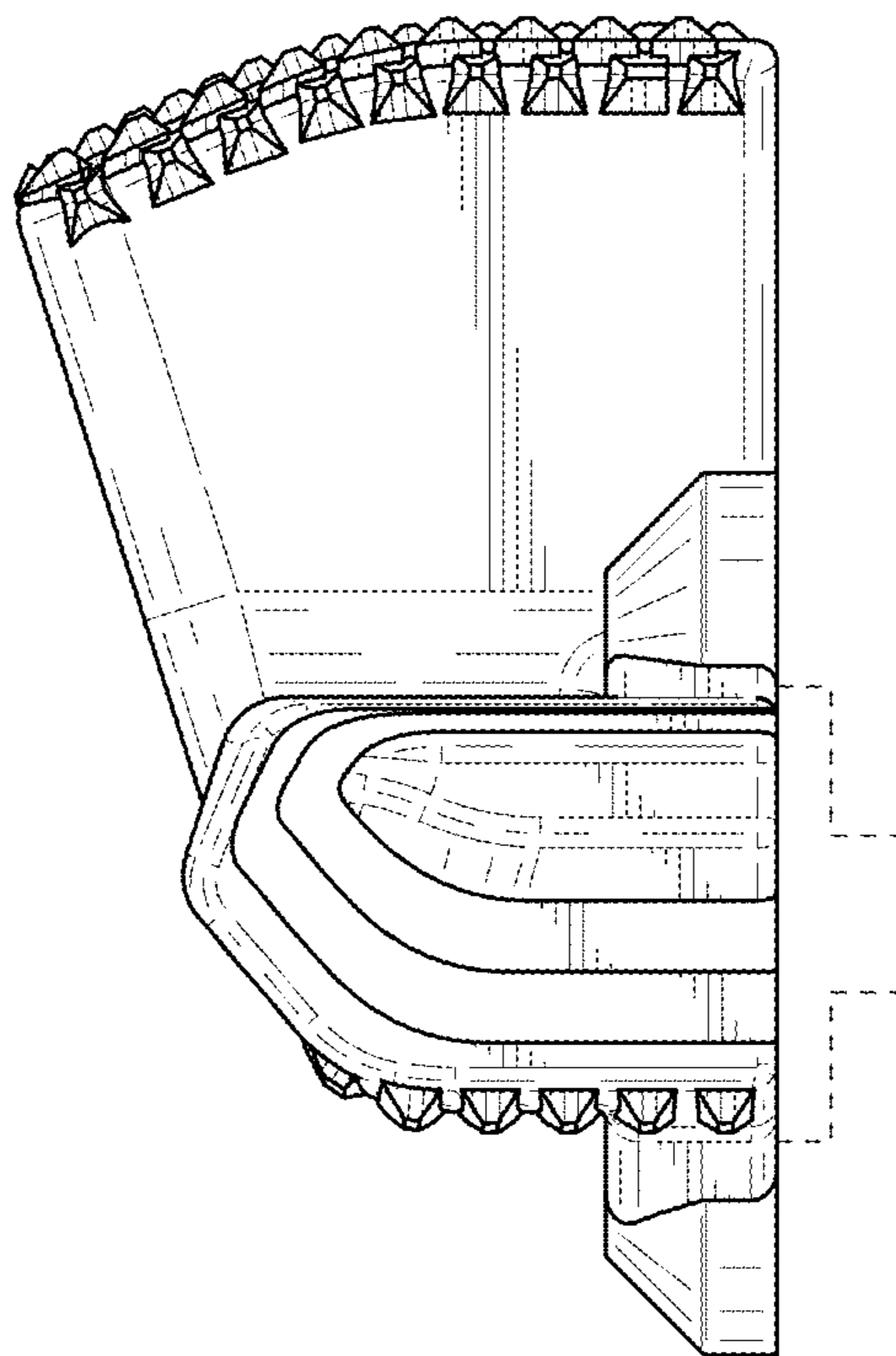


FIG. 4

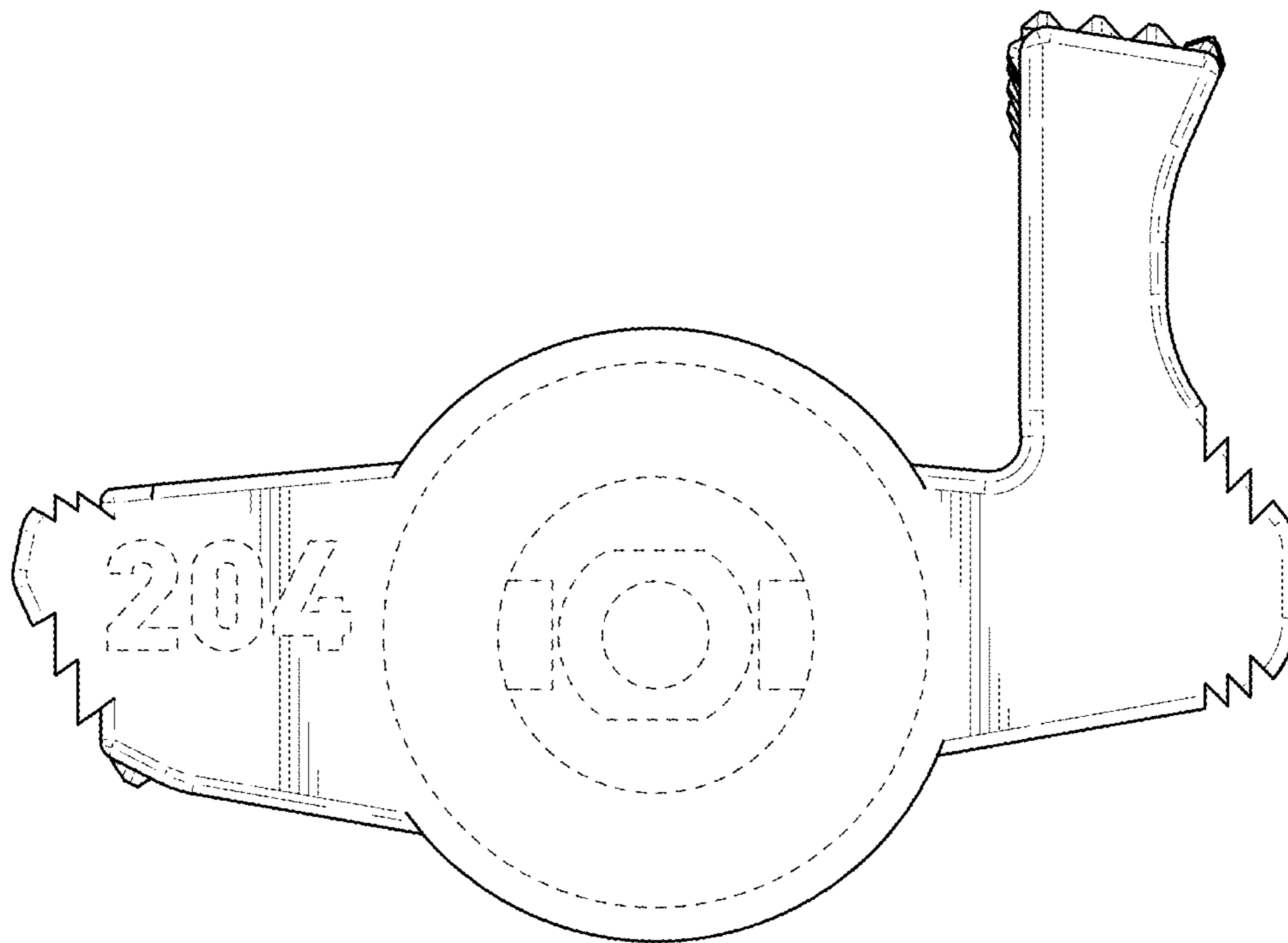


FIG. 5

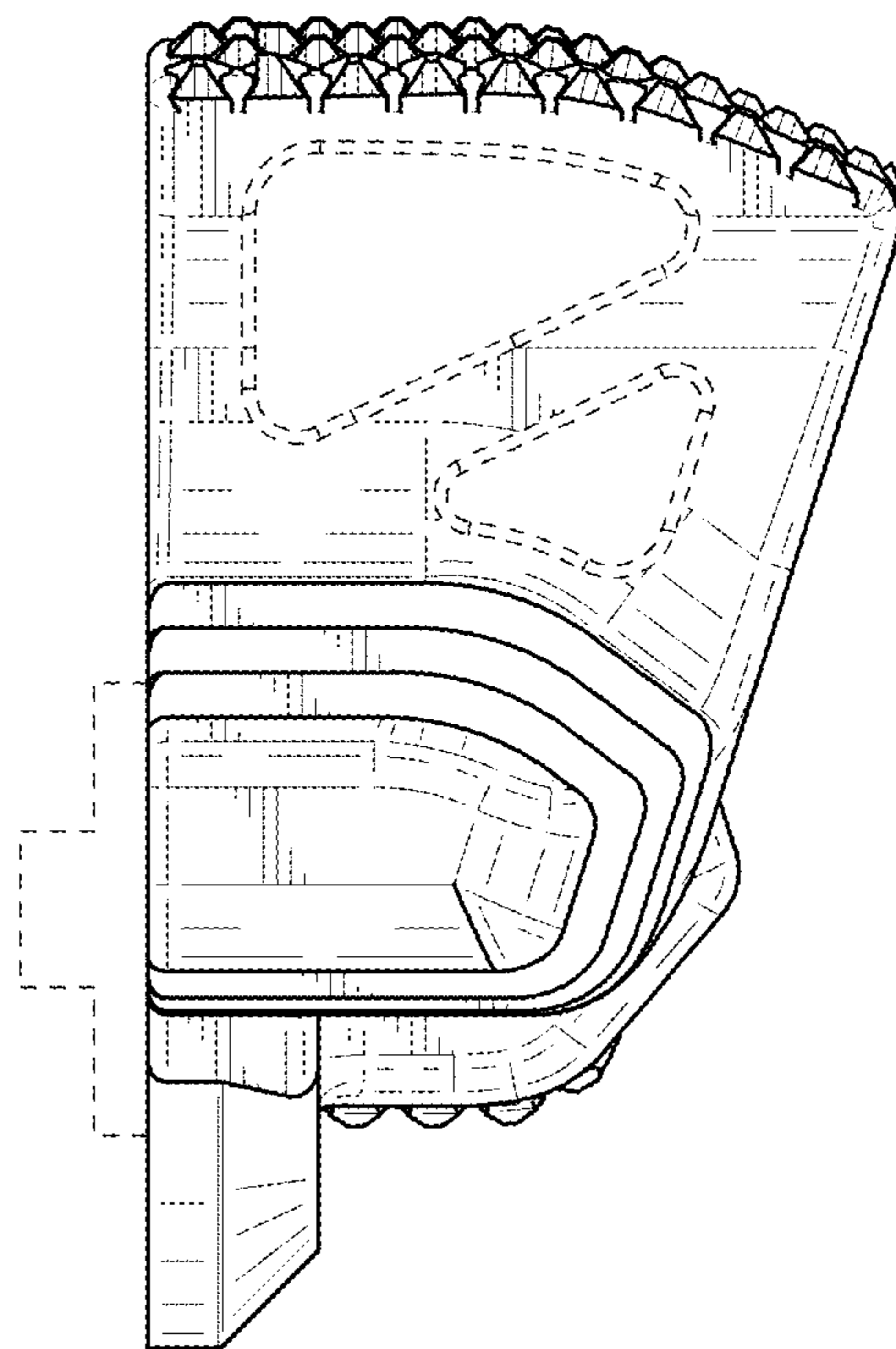


FIG. 6

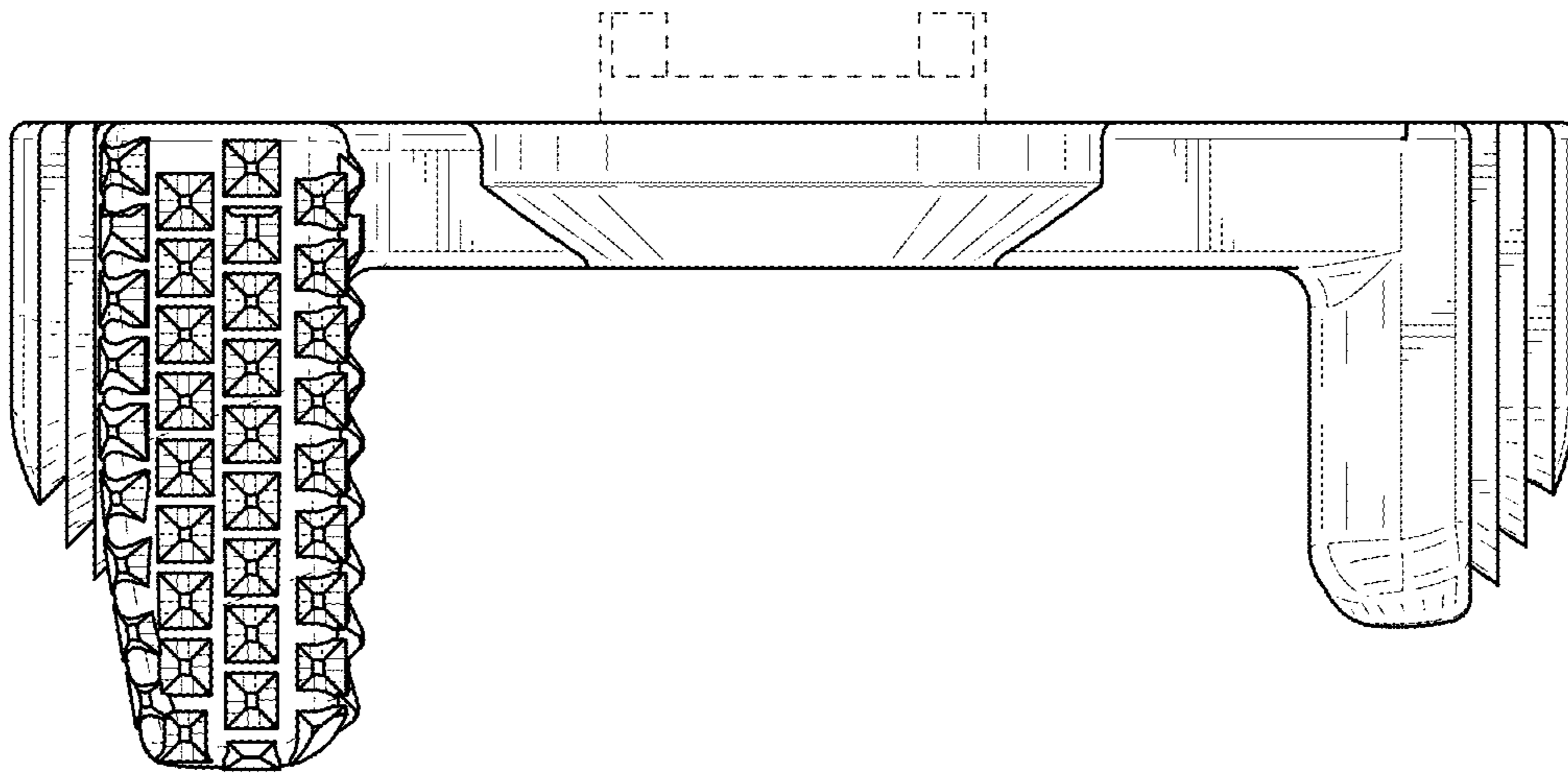


FIG. 7

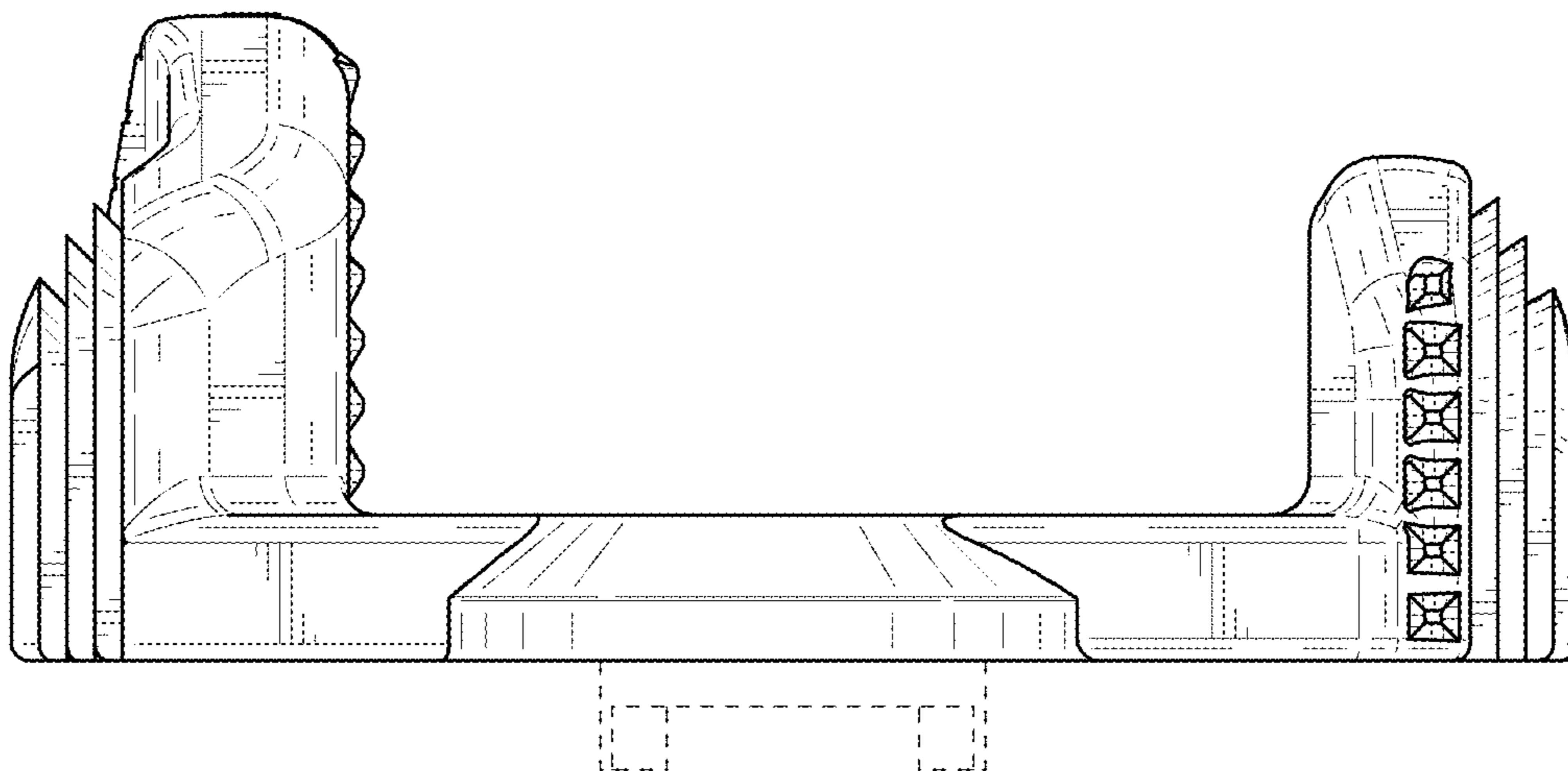


FIG. 8