



US00D982531S

(12) **United States Design Patent**
Zheng et al.

(10) **Patent No.:** **US D982,531 S**

(45) **Date of Patent:** **** Apr. 4, 2023**

(54) **INTELLIGENT LIFT TABLE CONTROLLER**

(71) Applicant: **Dongguan Good Luck Furniture Industrial Co., Ltd, Dongguan (CN)**

(72) Inventors: **Xingzhong Zheng, Dongguan (CN); Xu Li, Dongguan (CN); Jiayan Xiao, Dongguan (CN)**

(73) Assignee: **Dongguan Good Luck Furniture Industrial Co., Ltd, Dongguan (CN)**

(**) Term: **15 Years**

(21) Appl. No.: **29/805,015**

(22) Filed: **Aug. 24, 2021**

(30) **Foreign Application Priority Data**

May 19, 2021 (CN) 202130299685.5

(51) **LOC (14) Cl.** **13-03**

(52) **U.S. Cl.**
USPC **D13/164**

(58) **Field of Classification Search**
USPC D13/139.4, 158, 162, 164, 167; D14/305
CPC .. H01H 3/00; H01H 3/02; H01H 3/04; H01H 3/06; H01H 9/02; H01H 13/02; H01H 13/04; H01H 13/10; H01H 13/86; H01H 21/22; H01H 21/24; A47C 1/0345; A47C 1/035; A47B 21/02; A47B 9/00; A61G 13/02; A61G 7/018; G05B 15/02
See application file for complete search history.

(56) **References Cited**

U.S. PATENT DOCUMENTS

D244,215 S * 5/1977 Ross D14/217
D592,696 S * 5/2009 Gooday D17/20

D630,616 S * 1/2011 Vex D17/99
D689,825 S * 9/2013 Wenji D13/162
D735,146 S * 7/2015 Sawada D13/167
D740,763 S * 10/2015 Wenji D13/162
D820,221 S * 6/2018 Yang D13/164
D846,503 S * 4/2019 Yang D13/162
D846,504 S * 4/2019 Yang D13/162
D847,101 S * 4/2019 Chen D13/162
D851,604 S * 6/2019 Zhuang D13/162
D852,267 S * 6/2019 Graham D17/99
D870,804 S * 12/2019 Graham D17/99
D902,988 S * 11/2020 Sawada D17/99

* cited by examiner

Primary Examiner — Selina Sikder

(74) *Attorney, Agent, or Firm* — Jeenam Park

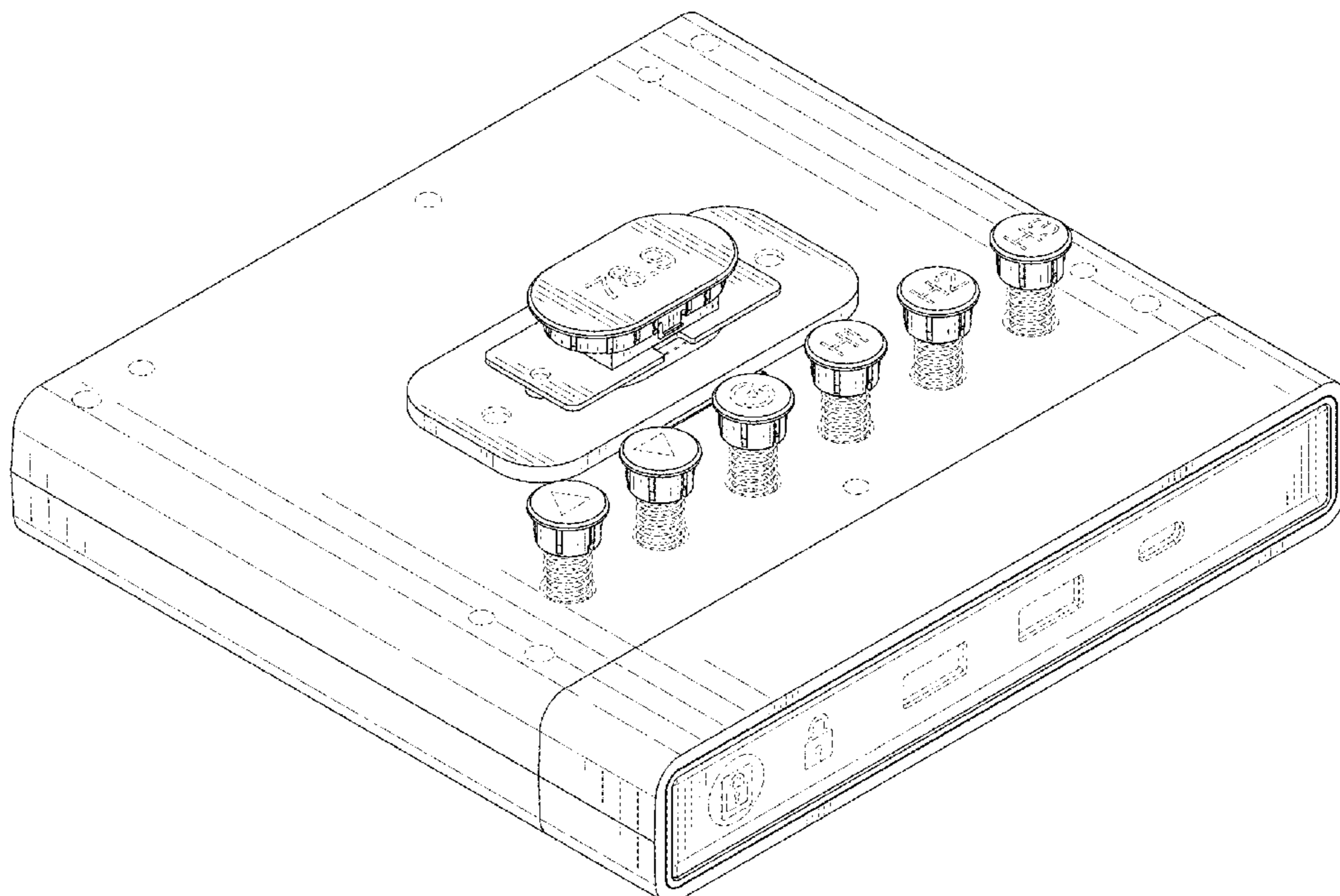
(57) **CLAIM**

The ornamental design for an intelligent lift table controller, as shown and described.

DESCRIPTION

FIG. 1 is a front, left and top side perspective view of an intelligent lift table controller in the present invention showing our new design.
FIG. 2 is a rear, right and top side perspective view thereof.
FIG. 3 is a front elevation view thereof.
FIG. 4 is a rear elevation view thereof.
FIG. 5 is a left side elevation view thereof.
FIG. 6 is a right side elevation view thereof.
FIG. 7 is a top plan view thereof; and,
FIG. 8 is a bottom plan view thereof.

1 Claim, 8 Drawing Sheets



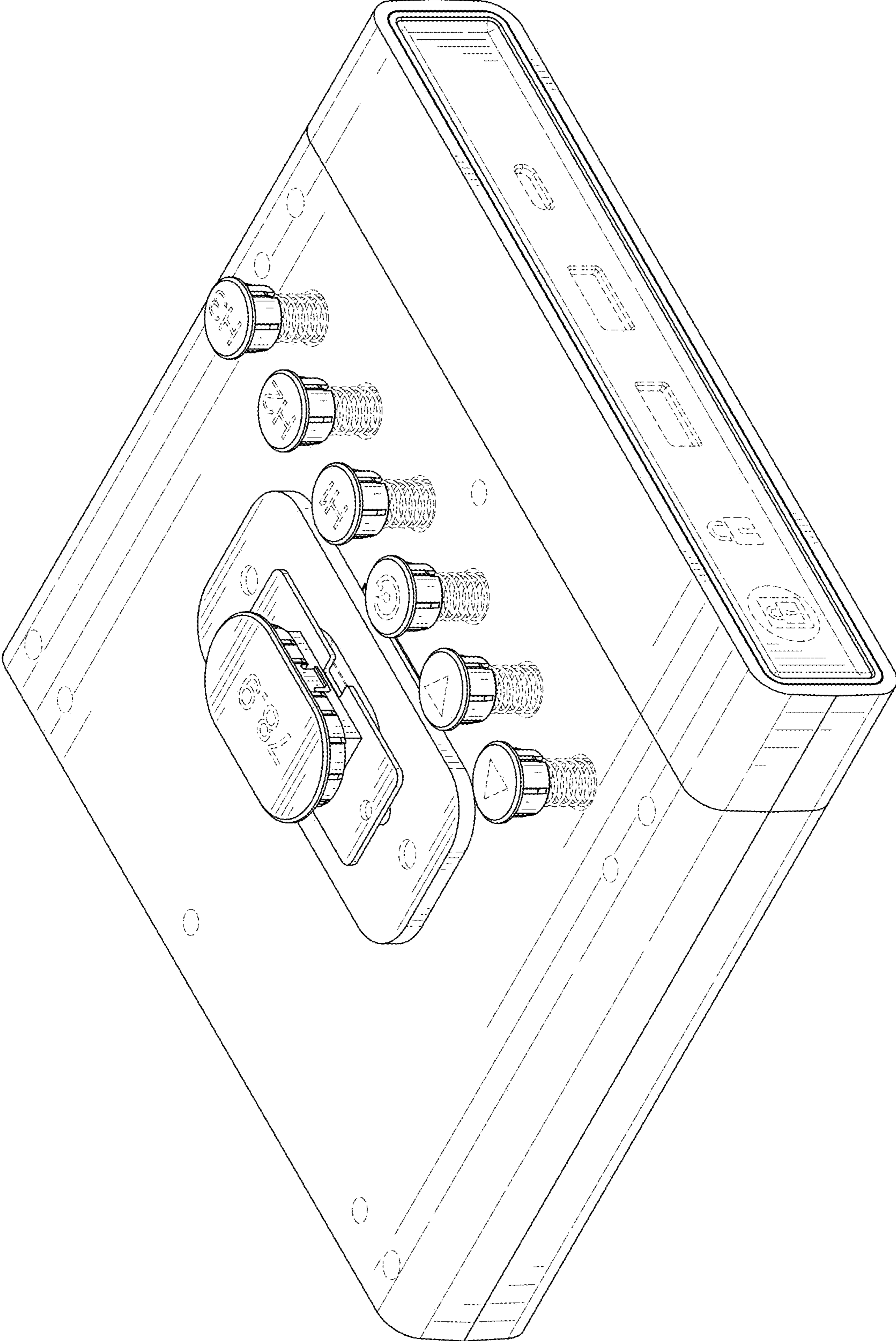


FIG. 1

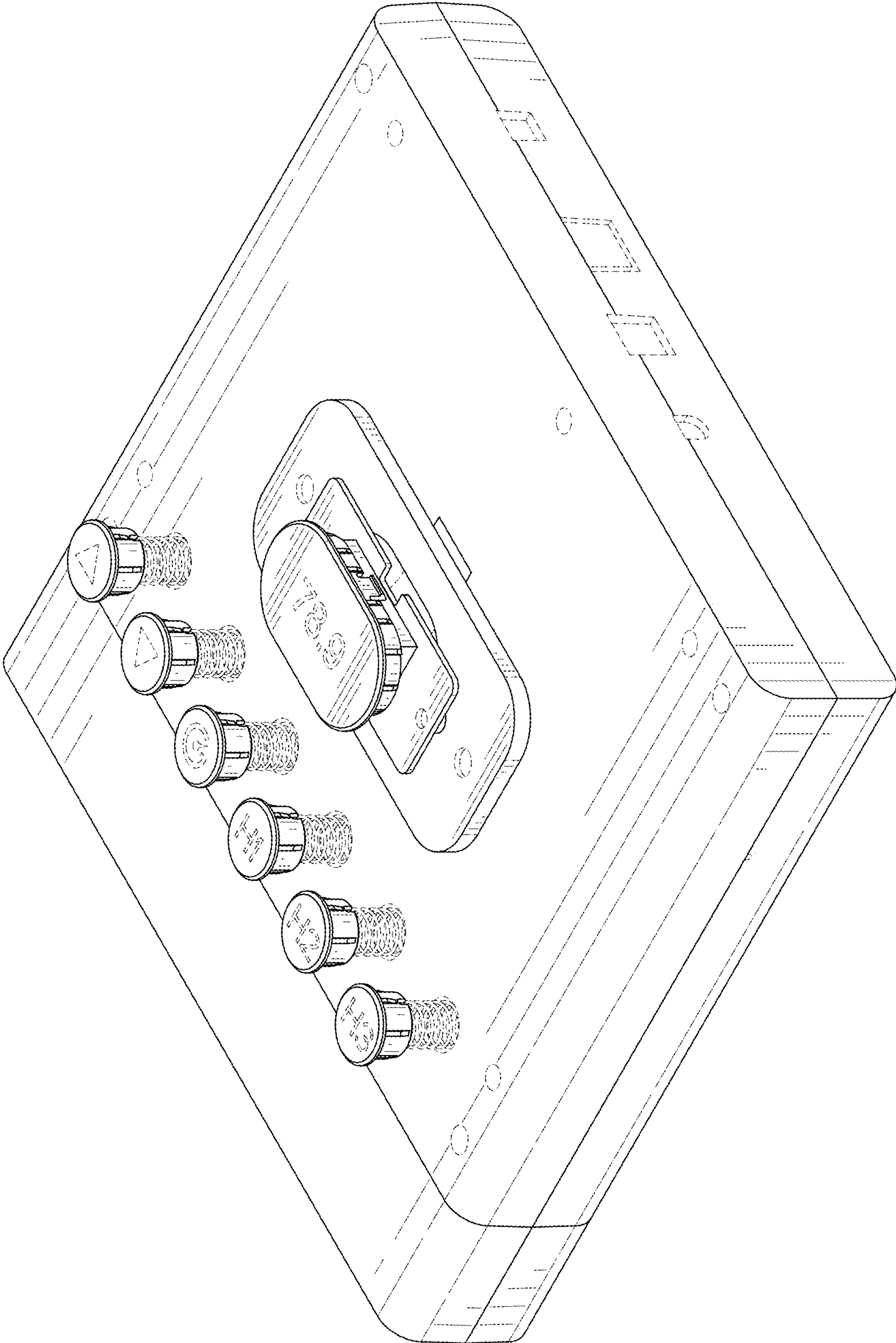


FIG. 2

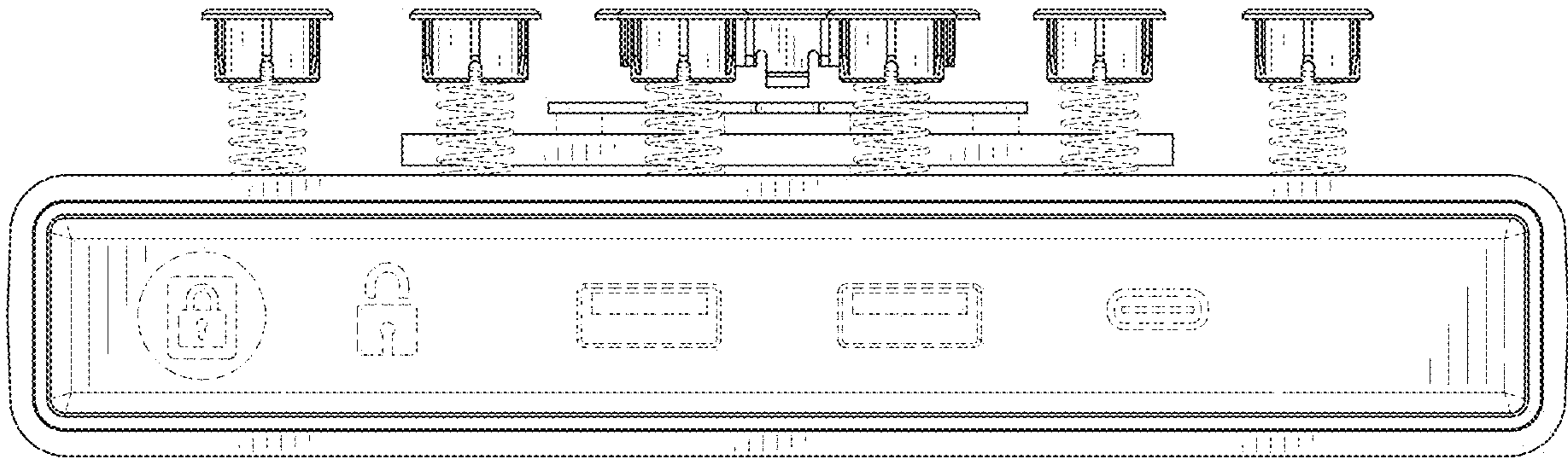


FIG. 3

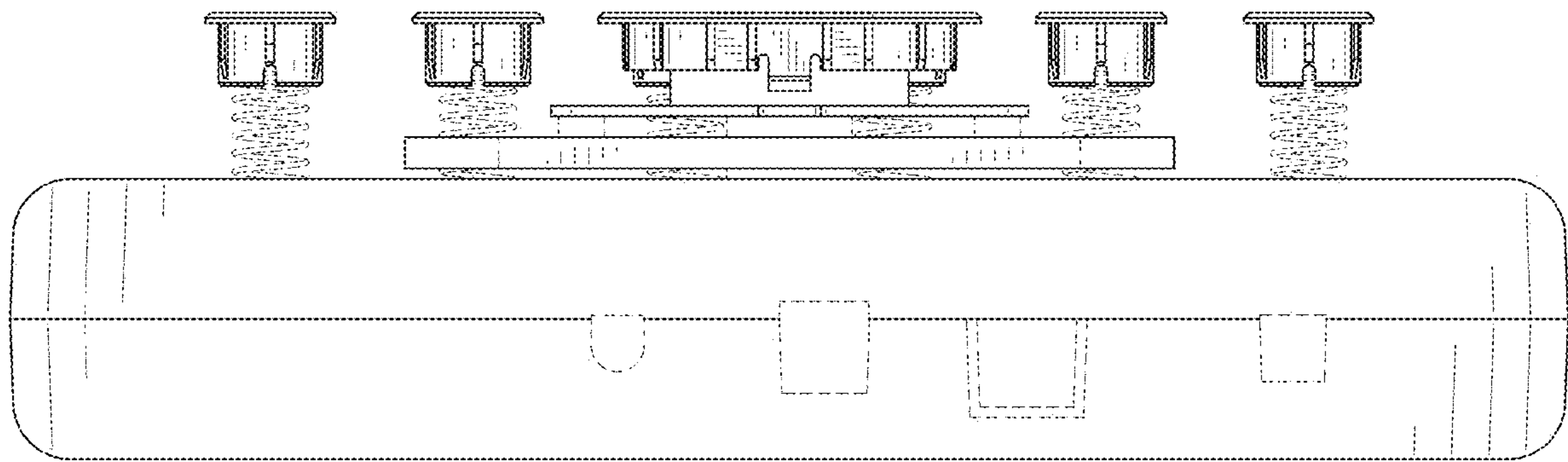


FIG. 4

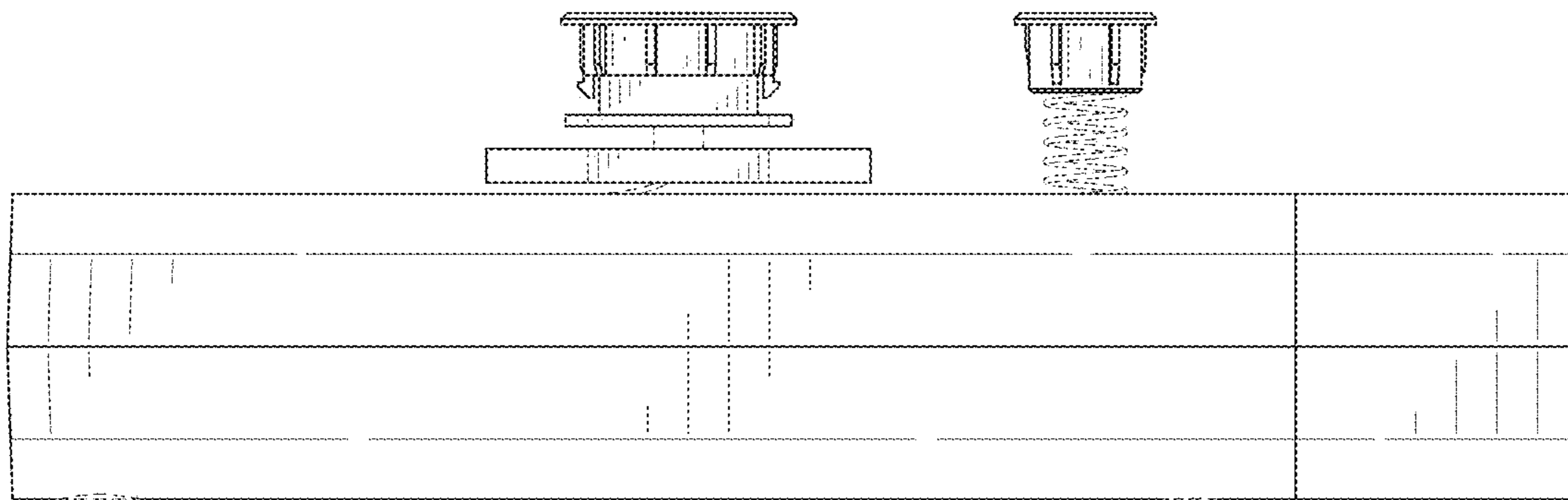


FIG. 5

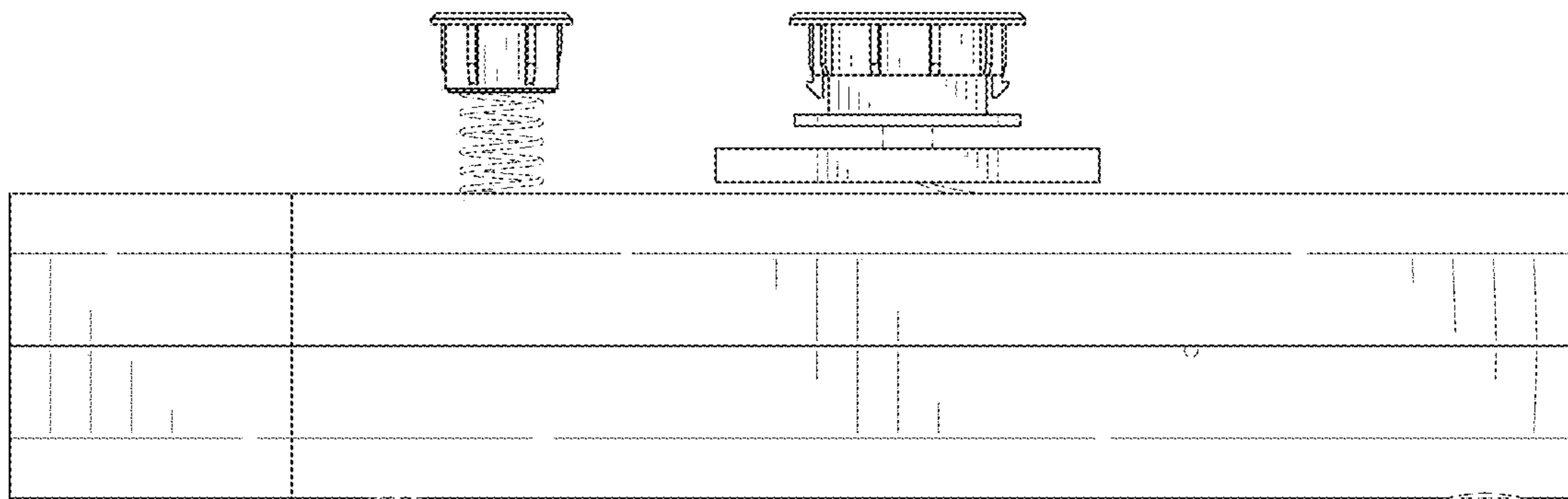


FIG. 6

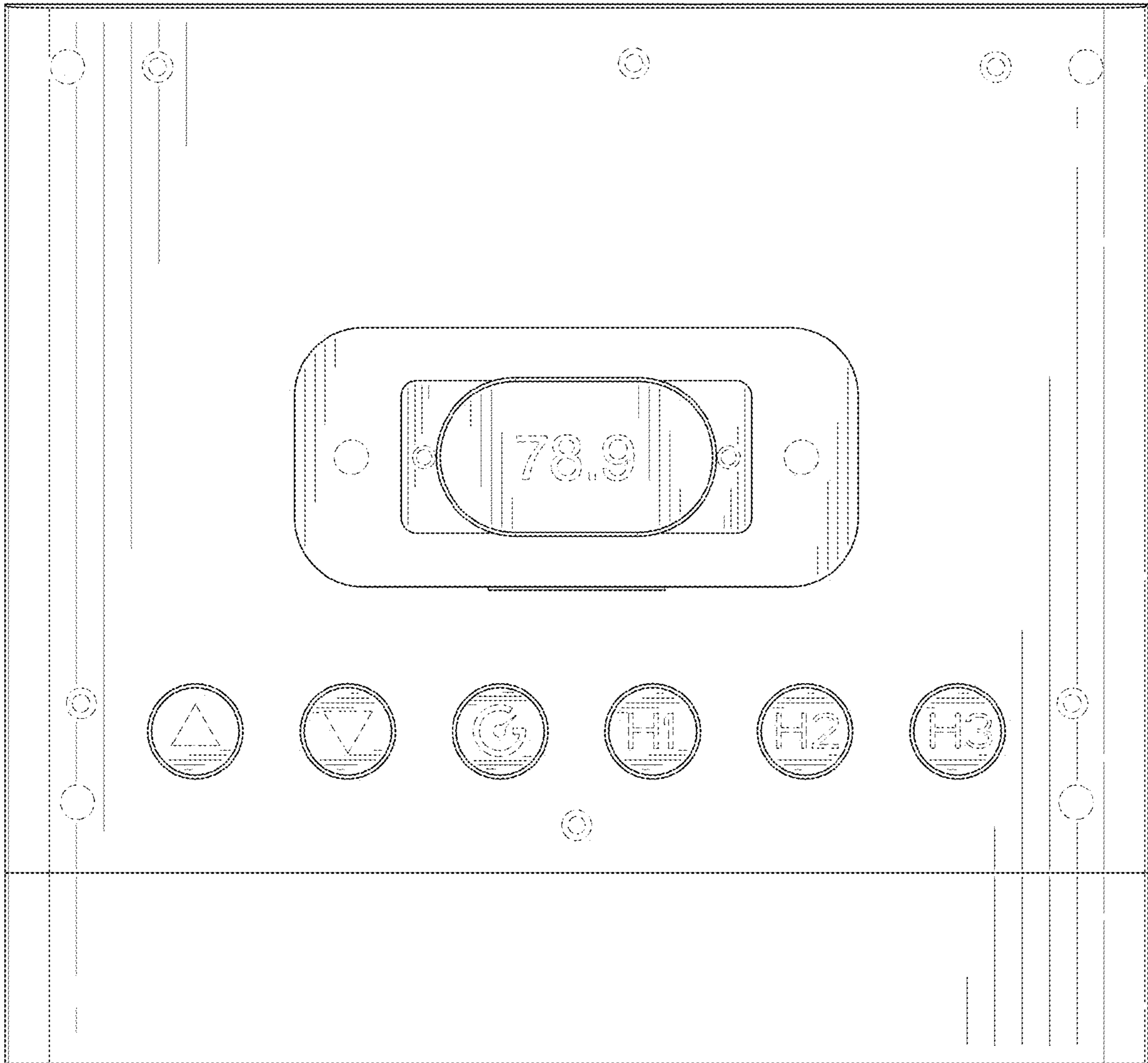


FIG. 7

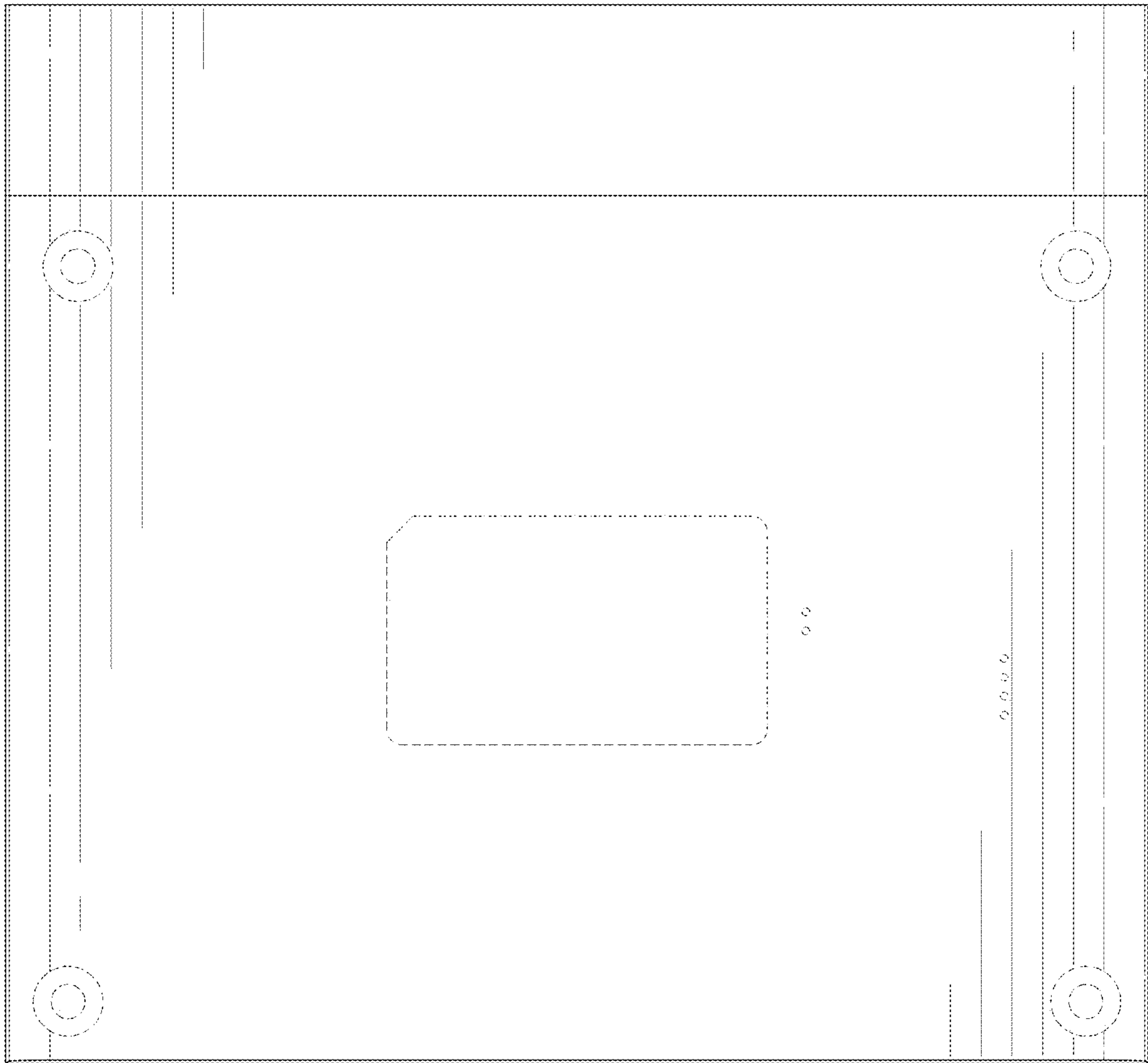


FIG. 8