



US00D982529S

(12) **United States Design Patent**  
**Wen**

(10) **Patent No.:** **US D982,529 S**

(45) **Date of Patent:** **\*\* Apr. 4, 2023**

(54) **LIGHT MODULE**

(71) Applicant: **Lincun Wen**, Guangzhou (CN)

(72) Inventor: **Lincun Wen**, Guangzhou (CN)

(\*\*) Term: **15 Years**

(21) Appl. No.: **29/882,472**

(22) Filed: **Jan. 14, 2023**

(51) **LOC (14) Cl.** ..... **13-03**

(52) **U.S. Cl.**  
USPC ..... **D13/158**

(58) **Field of Classification Search**

USPC ... D13/158, 162, 162.1, 177, 184, 164, 168,  
D13/171, 173, 174, 199; D10/49, 50  
CPC ..... H01H 9/0271; H01H 9/02; H01H 9/0264;  
H01H 9/16; H01H 9/18; H01H 9/181;  
H01H 9/182; H01H 3/02; H01H 3/0213;  
H01H 3/04; H01H 3/06; H01H 3/08;  
H01H 3/12; H01H 3/122; H05B 39/085;  
H05B 39/088; H05B 39/02; H05B 39/04;  
H05B 39/086

See application file for complete search history.

(56) **References Cited**

**U.S. PATENT DOCUMENTS**

D211,950 S \* 8/1968 Driscoll ..... D8/353  
4,737,609 A \* 4/1988 Yuhasz ..... H02M 5/257  
174/16.3  
D392,256 S \* 3/1998 Saint-Cyr ..... D13/158  
D410,437 S \* 6/1999 Mowery ..... D13/177  
D419,966 S \* 2/2000 Mowery ..... D13/184  
D493,695 S \* 8/2004 Wengrower ..... D13/177  
D518,793 S \* 4/2006 Hedderich ..... D13/162  
D541,753 S \* 5/2007 Gerard ..... D13/158  
D542,237 S \* 5/2007 Fort ..... D13/177  
D598,399 S \* 8/2009 Mayo ..... D13/171  
D652,390 S \* 1/2012 Boehm ..... D13/169

D706,732 S \* 6/2014 Altonen ..... D13/177  
D710,312 S \* 8/2014 Branson ..... D13/162  
D736,721 S \* 8/2015 Gassner ..... D13/168  
D832,489 S 10/2018 Agre  
D832,490 S 10/2018 Agre  
D874,409 S \* 2/2020 Fiedler ..... D13/162  
D922,968 S \* 6/2021 Christiansen ..... D13/173  
D928,103 S \* 8/2021 Baldwin ..... D13/169  
D936,614 S \* 11/2021 Wang ..... D13/162  
D963,595 S \* 9/2022 Cai ..... D13/164  
D968,971 S \* 11/2022 Foster ..... D10/49  
D971,166 S \* 11/2022 Chen ..... D13/169  
2010/0214756 A1 \* 8/2010 Feldstein ..... H01H 9/0271  
361/807

\* cited by examiner

*Primary Examiner* — S. Bryan Reinholdt, Jr.

*Assistant Examiner* — Leah E Hoeferkamp

(74) *Attorney, Agent, or Firm* — Daniel M. Cohn;  
Howard M. Cohn

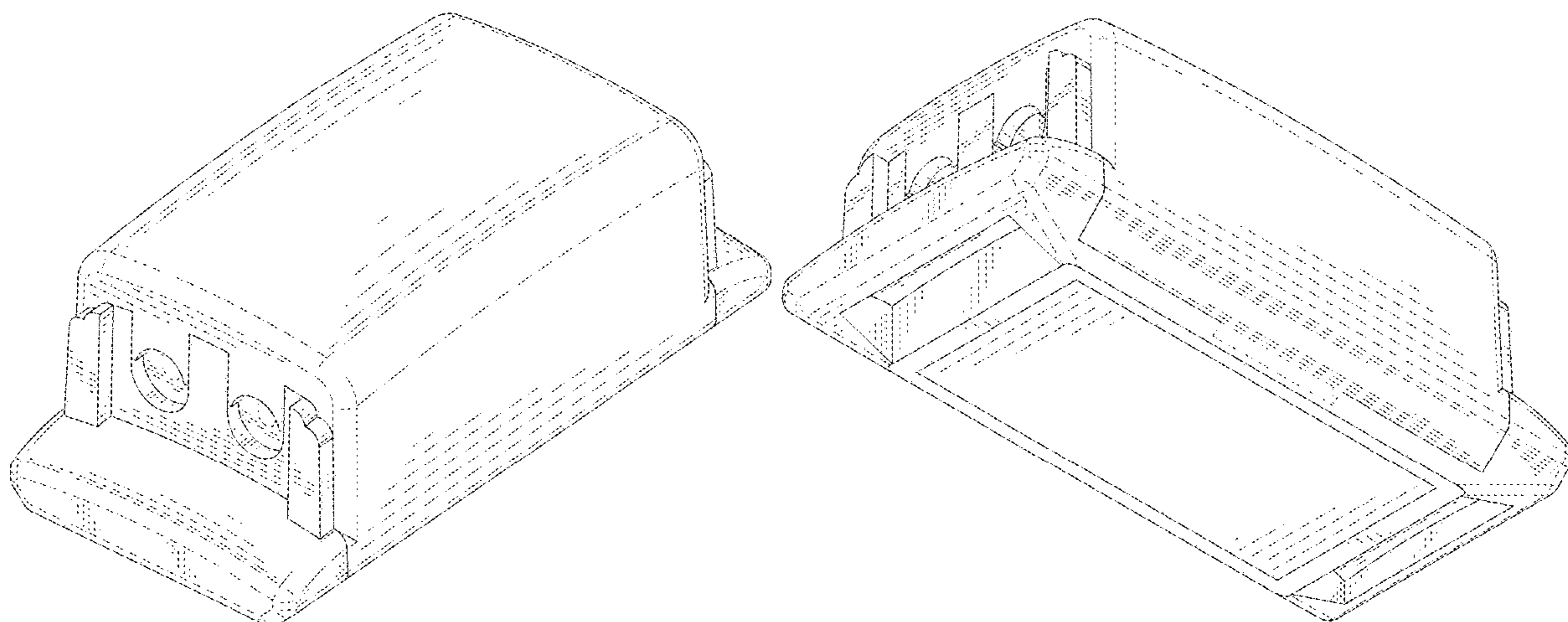
(57) **CLAIM**

The ornamental design for a light module, as shown and described.

**DESCRIPTION**

FIG. 1 is a perspective view of a light module showing my new design;  
FIG. 2 is another perspective view thereof;  
FIG. 3 is a front elevational view thereof;  
FIG. 4 is a rear elevational view thereof;  
FIG. 5 is a left side elevational view thereof;  
FIG. 6 is a right side elevational view thereof;  
FIG. 7 is a top plan view thereof;  
FIG. 8 is a bottom plan view thereof; and,  
FIG. 9 is an exploded perspective view of the light module.  
The dash-dash broken lines in the drawings depict portions of the light module that form no part of the claimed design.

**1 Claim, 9 Drawing Sheets**



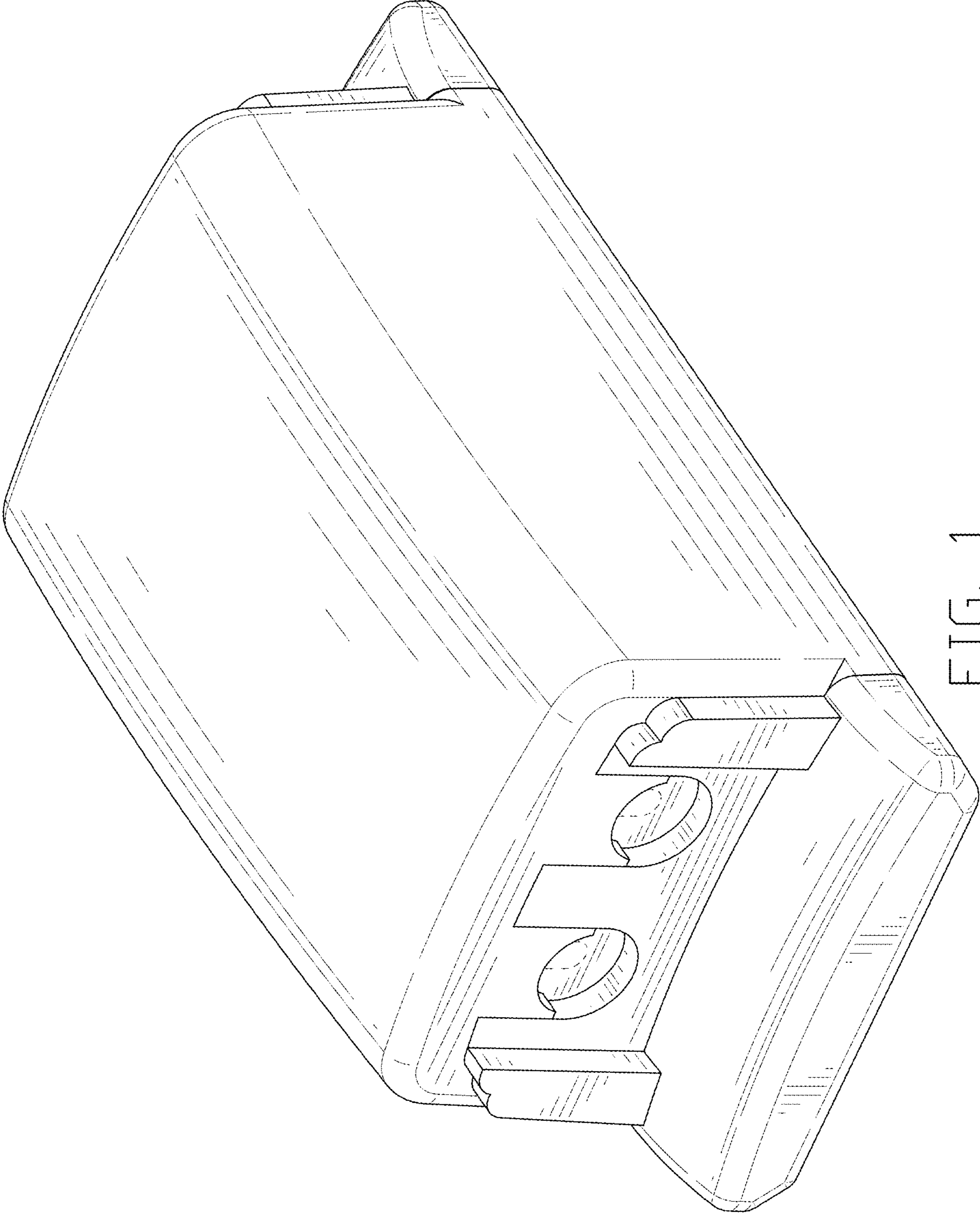


FIG. 1

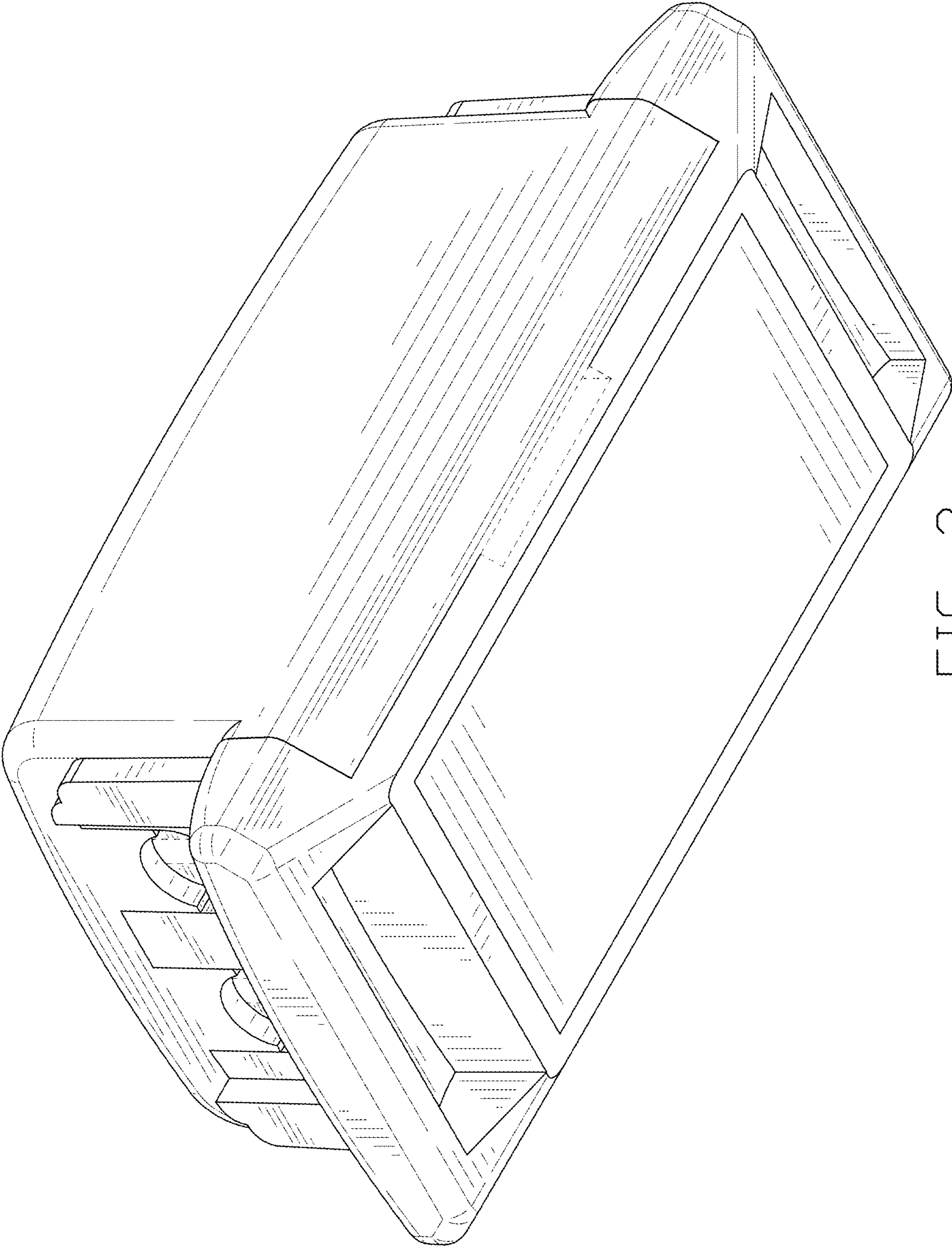


FIG. 2

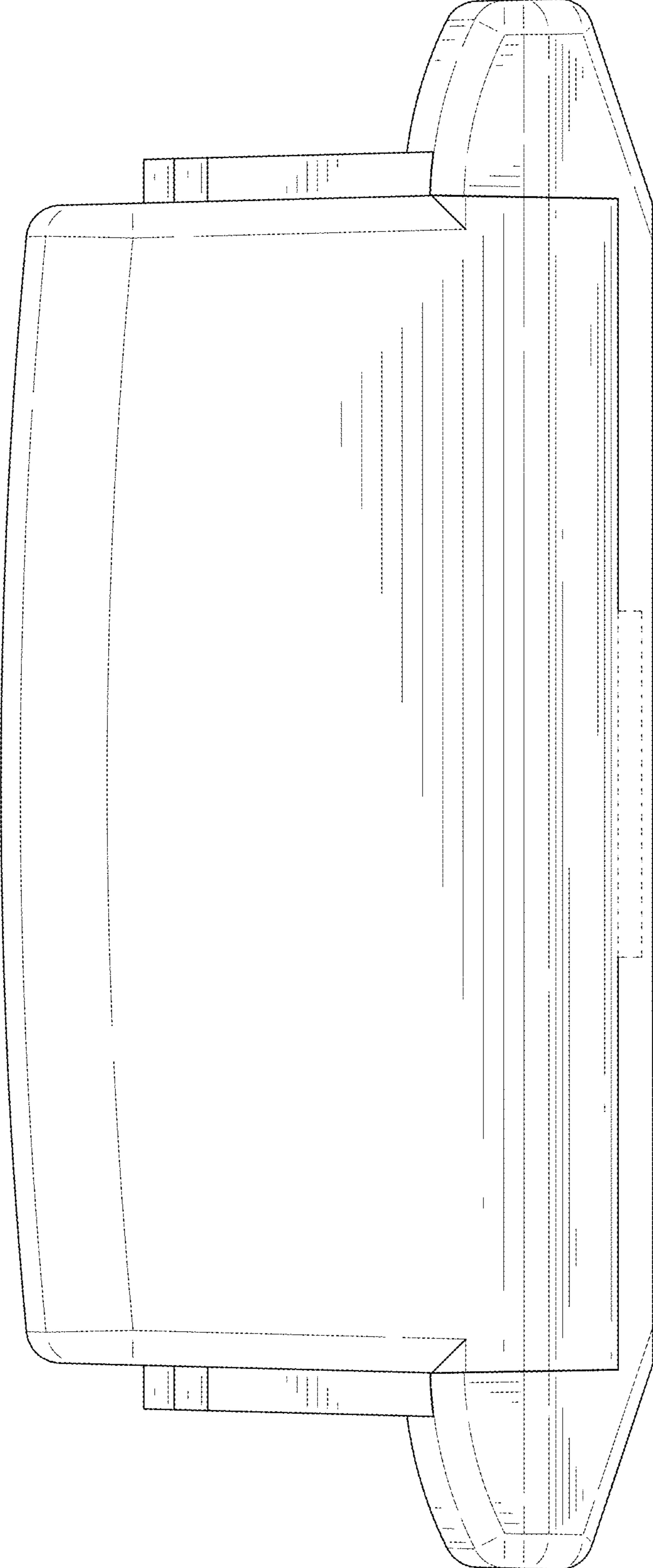


FIG. 3

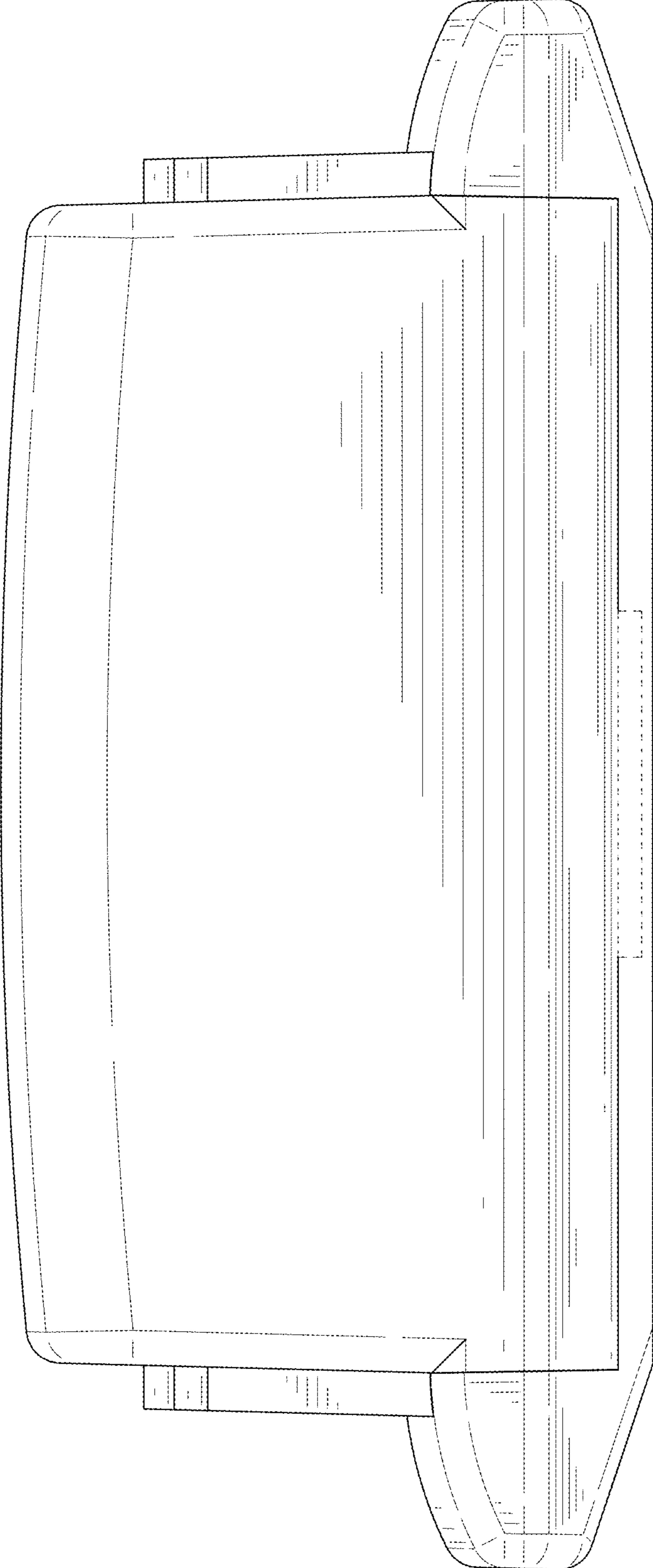


FIG. 4

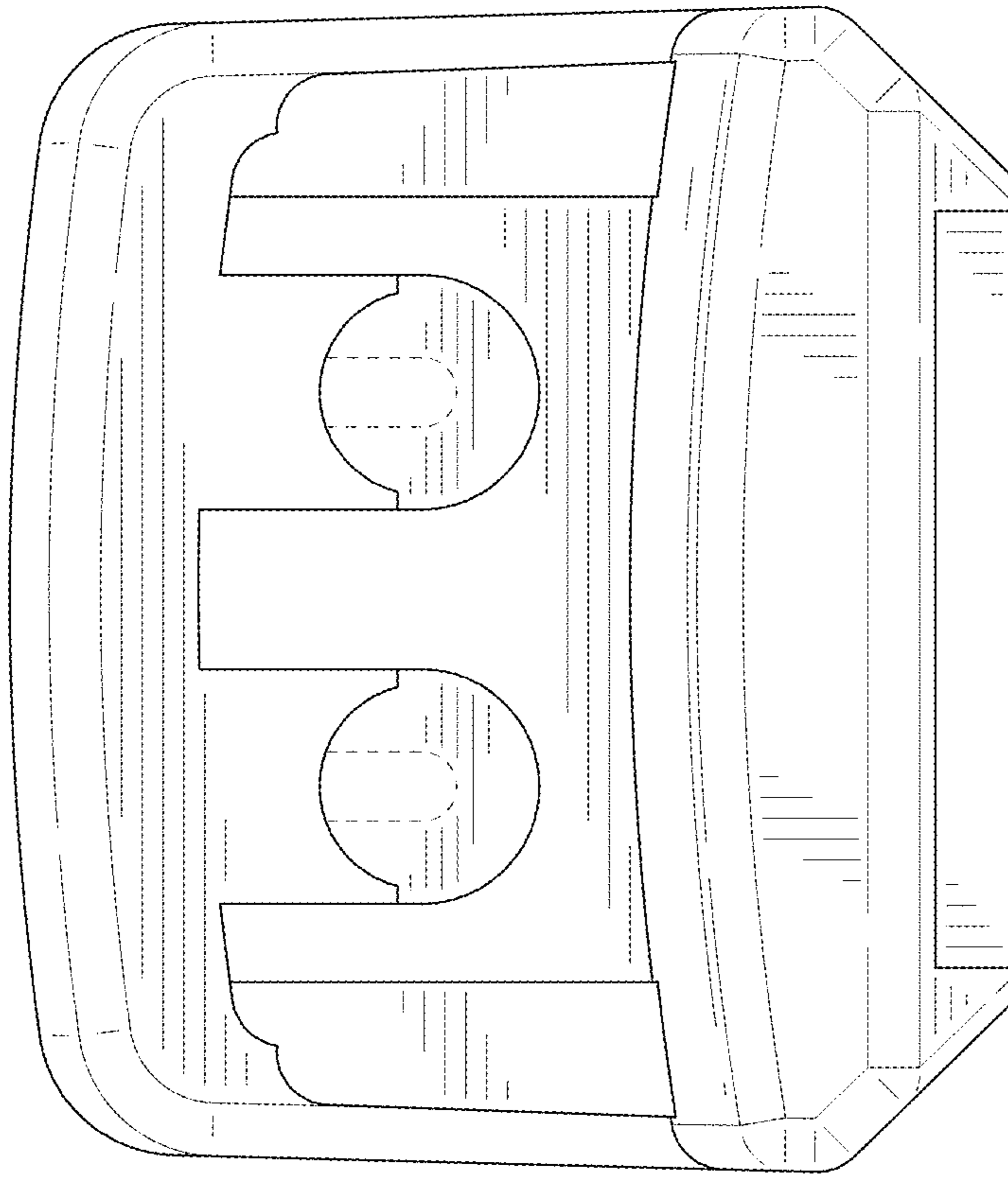


FIG. 5

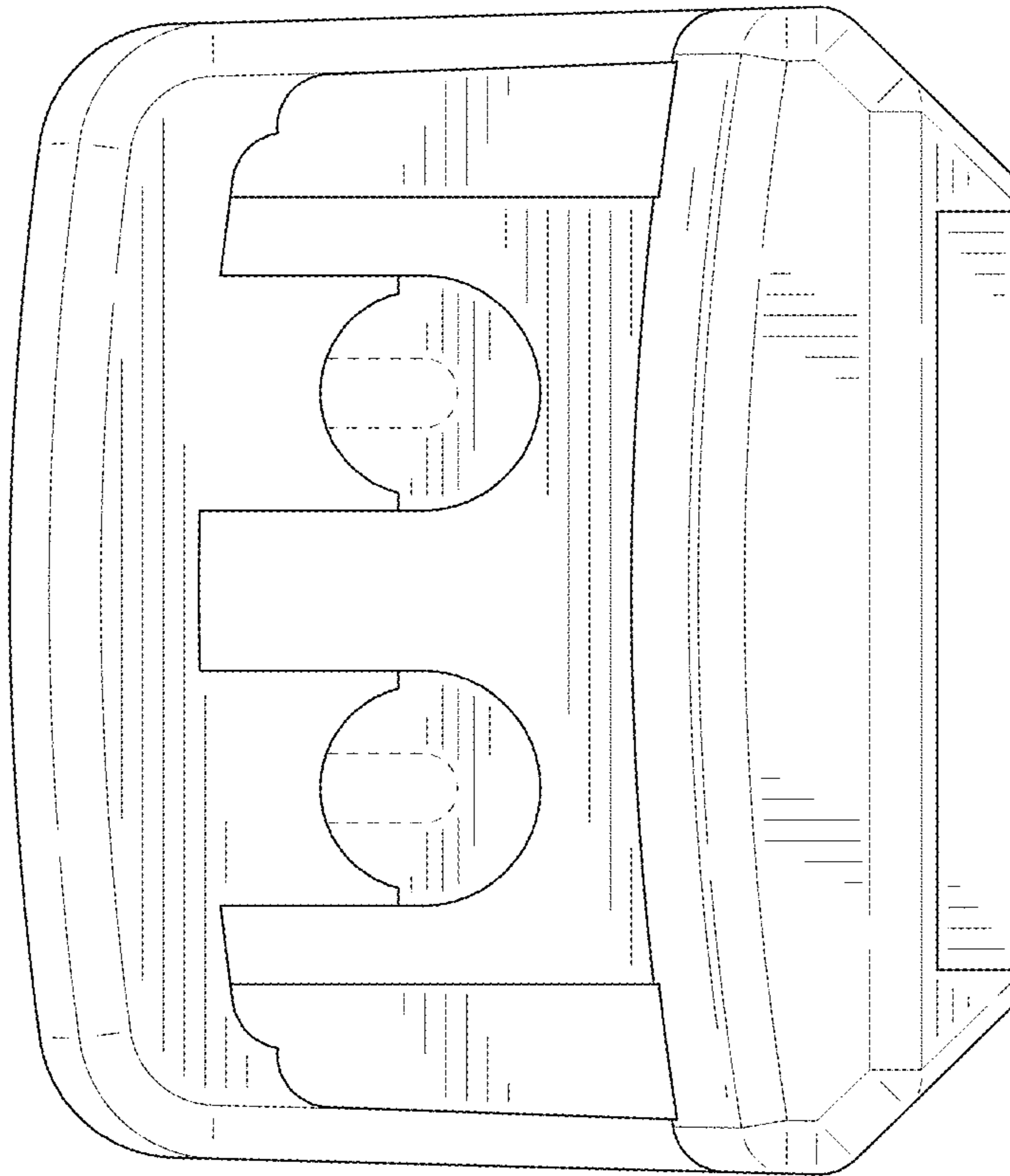


FIG. 6

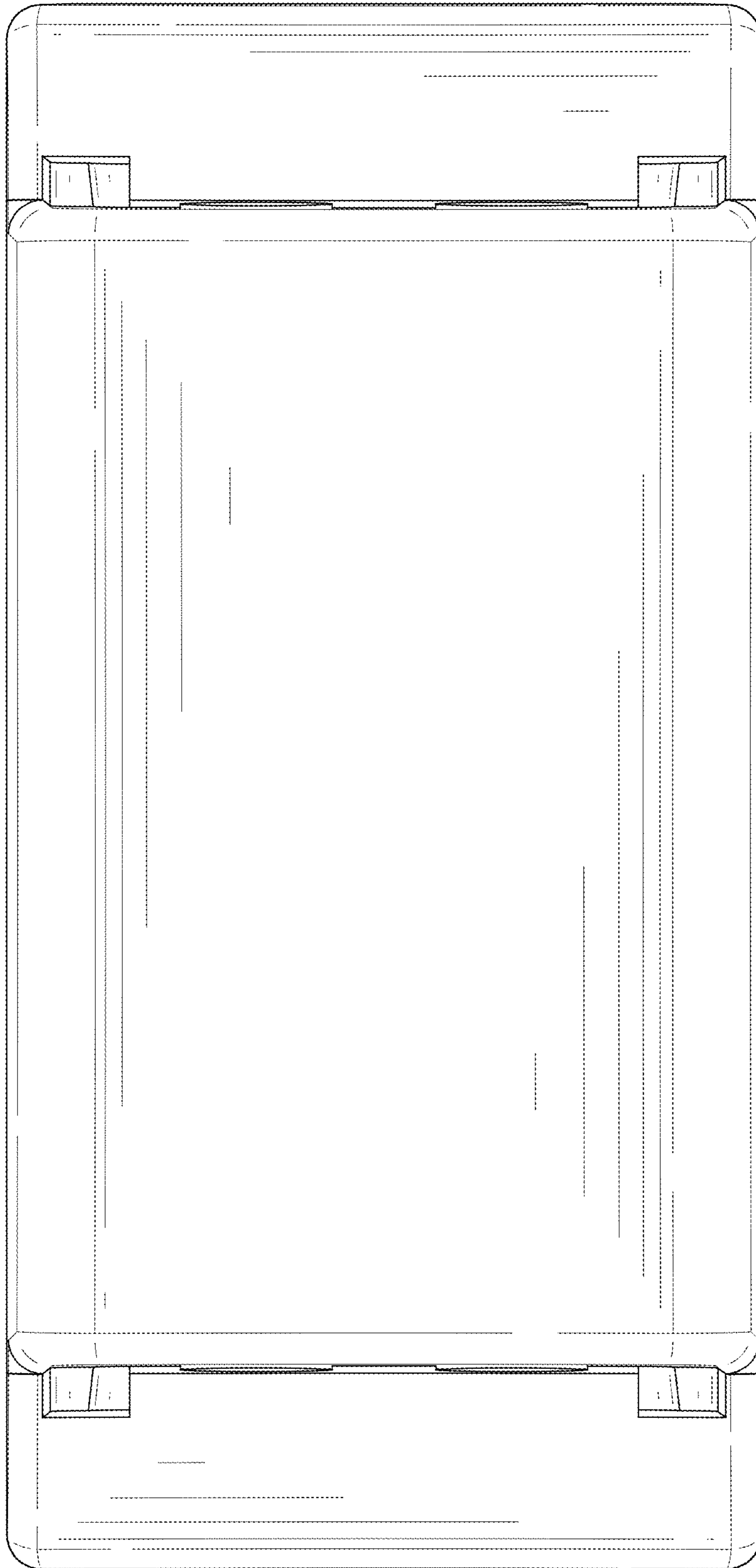


FIG. 7



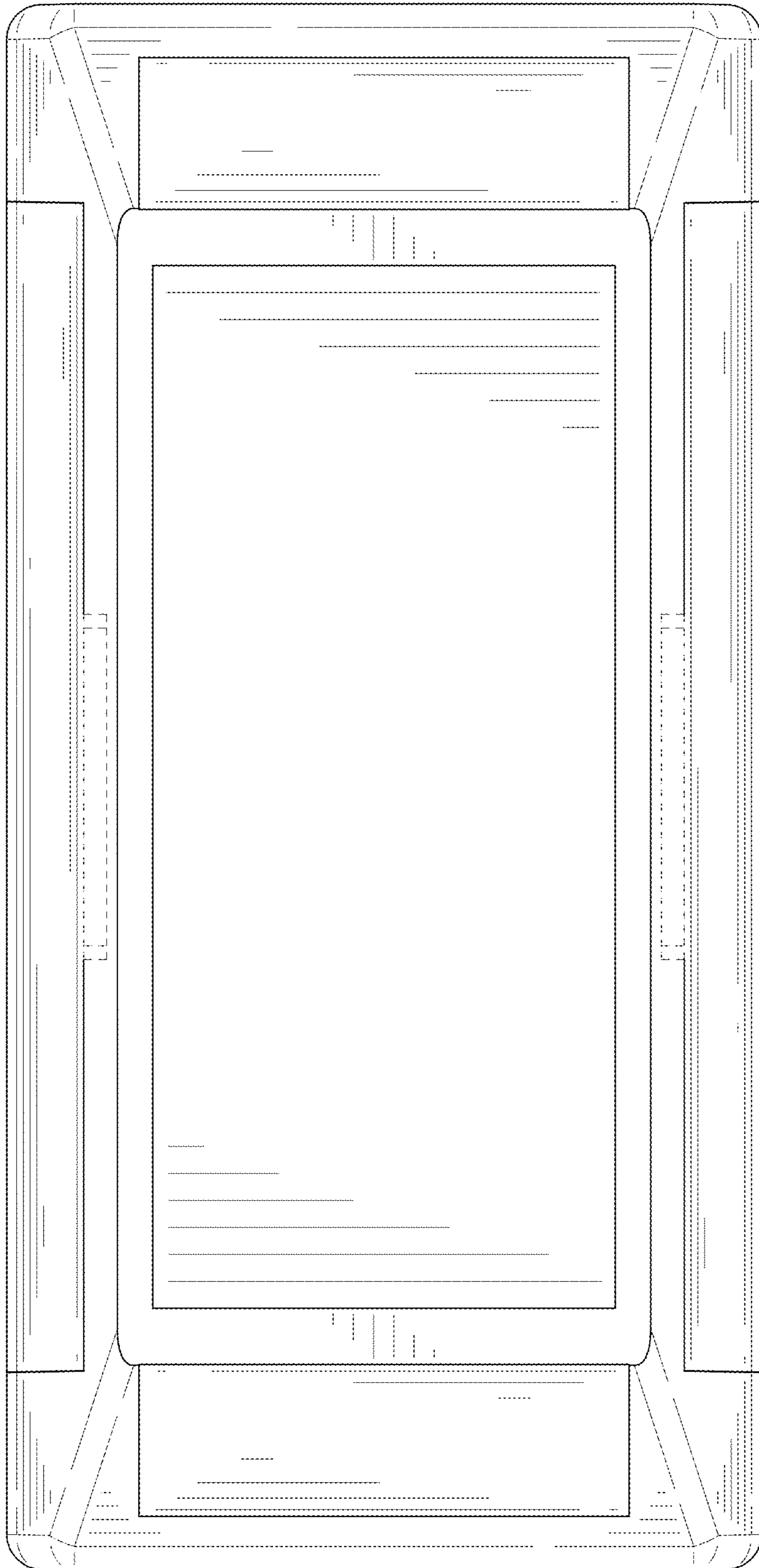


FIG. 8

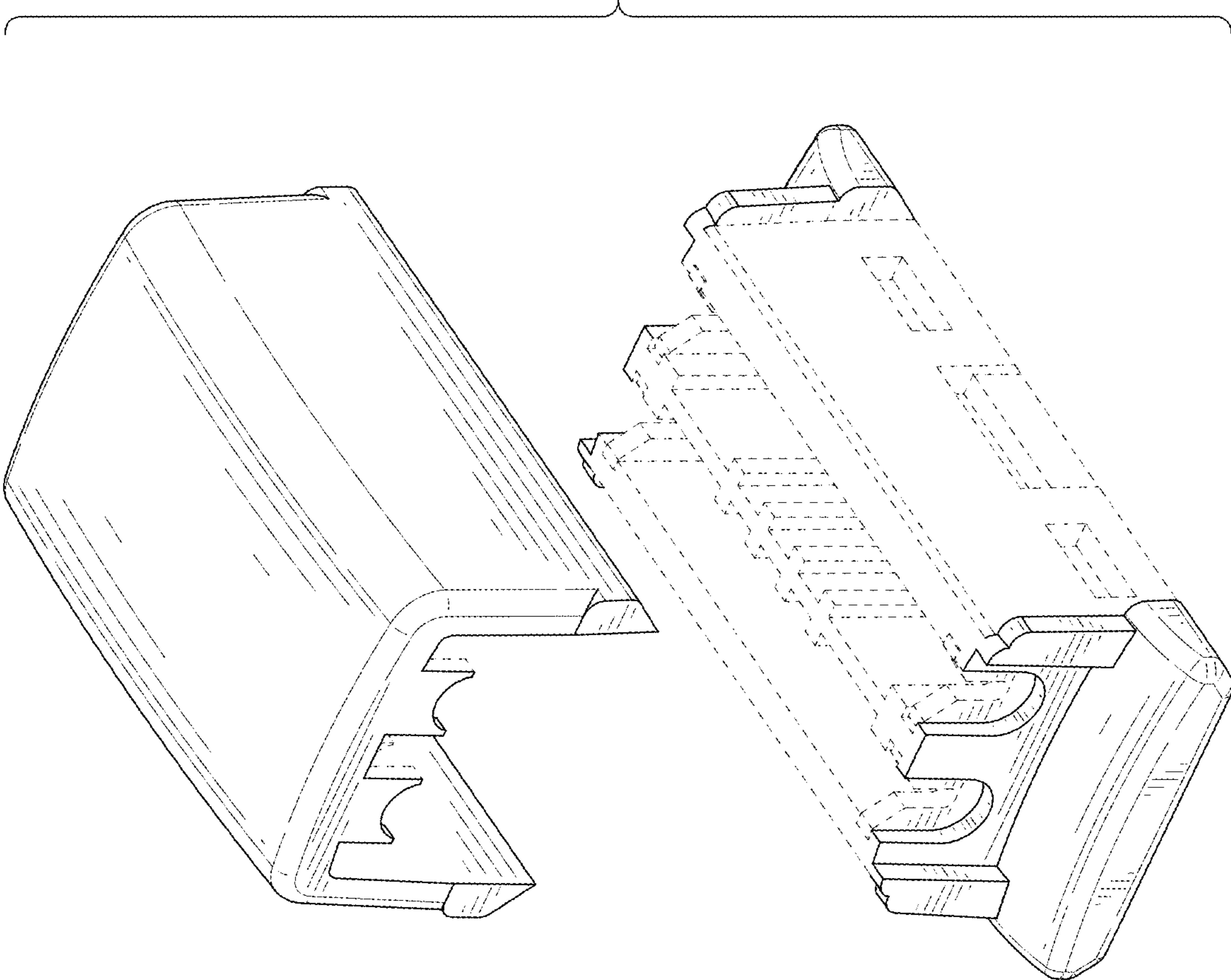


FIG. 9