



US00D982528S

(12) **United States Design Patent**
Cai

(10) **Patent No.:** **US D982,528 S**

(45) **Date of Patent:** **** Apr. 4, 2023**

(54) **LAMP CONTROLLER**

(71) Applicant: **Guodong Cai**, Shenzhen (CN)

(72) Inventor: **Guodong Cai**, Shenzhen (CN)

(**) Term: **15 Years**

(21) Appl. No.: **29/863,782**

(22) Filed: **Dec. 22, 2022**

(51) **LOC (14) Cl.** **13-03**

(52) **U.S. Cl.**
USPC **D13/158**

(58) **Field of Classification Search**
USPC ... D13/158, 162, 162.1, 177, 184, 164, 168,
D13/171, 173, 174, 199; D10/49, 50
CPC H01H 9/0271; H01H 9/02; H01H 9/0264;
H01H 9/16; H01H 9/18; H01H 9/181;
H01H 9/182; H01H 3/02; H01H 3/0213;
H01H 3/04; H01H 3/06; H01H 3/08;
H01H 3/12; H01H 3/122; H05B 39/085;
H05B 39/088; H05B 39/02; H05B 39/04;
H05B 39/086

See application file for complete search history.

(56) **References Cited**

U.S. PATENT DOCUMENTS

D310,814 S *	9/1990	Rosenbaum	D13/117
D437,585 S *	2/2001	Mayo	D13/162
D539,234 S *	3/2007	Blair	D13/162
D543,951 S *	6/2007	Blair	D13/162
D573,955 S *	7/2008	Bhate	D13/164
D581,369 S *	11/2008	Egea Soler	D13/162
D616,835 S *	6/2010	Felegy, Jr.	D13/168
D636,347 S *	4/2011	Felegy, Jr.	D13/162
D636,348 S *	4/2011	Lind, III	D13/162
D636,349 S *	4/2011	Lind, III	D13/162
D640,641 S *	6/2011	Felegy, Jr.	D13/162
D645,411 S *	9/2011	Lind, III	D13/162

D645,413 S *	9/2011	Lind, III	D13/162
D647,063 S *	10/2011	Lind, III	D13/162
D647,064 S *	10/2011	Lind, III	D13/162
D647,489 S *	10/2011	Lind, III	D13/162
D666,978 S *	9/2012	Felegy, Jr.	D13/164
D673,510 S *	1/2013	Felegy, Jr.	D13/164
D694,196 S *	11/2013	Felegy, Jr.	D13/162
D694,716 S *	12/2013	Felegy, Jr.	D13/162
D722,982 S *	2/2015	Lind, III	D13/164
D817,283 S	5/2018	Lessard		
D888,589 S *	6/2020	Menden	D10/49
D917,404 S	4/2021	Xu		
D922,961 S *	6/2021	Chandwani	D13/162
D931,232 S *	9/2021	Fu	D13/158
D931,235 S *	9/2021	Fu	D13/162
D936,614 S *	11/2021	Wang	D13/162
D936,615 S *	11/2021	Wang	D13/164
D937,790 S *	12/2021	Grandadam	D13/174

(Continued)

Primary Examiner — S. Bryan Reinholdt, Jr.

Assistant Examiner — Leah E Hoeferkamp

(74) *Attorney, Agent, or Firm* — Jeenam Park

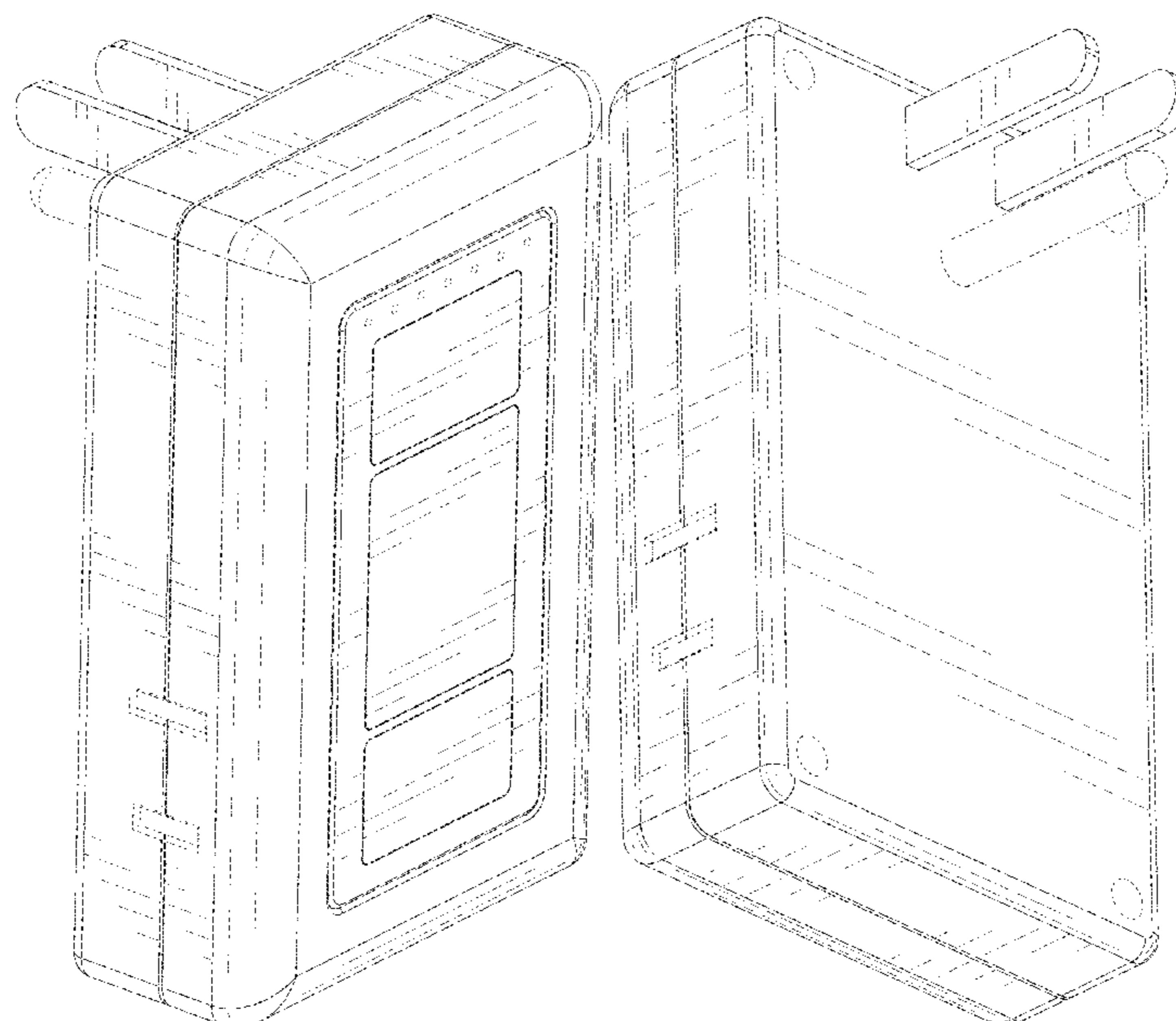
(57) **CLAIM**

The ornamental design for a lamp controller, as shown and described.

DESCRIPTION

FIG. 1 is a front, left and top perspective view of a lamp controller, showing my new design; FIG. 2 is a rear, right and bottom perspective view thereof; FIG. 3 is a front view thereof; FIG. 4 is a rear view thereof; FIG. 5 is a left side view thereof; FIG. 6 is a right side view thereof; FIG. 7 is a top plan view thereof; and, FIG. 8 is a bottom plan view thereof. The broken lines shown in the drawings illustrate portions of the lamp controller that form no part of the claimed design.

1 Claim, 8 Drawing Sheets



(56)

References Cited

U.S. PATENT DOCUMENTS

D963,595 S * 9/2022 Cai D13/164
2010/0214756 A1* 8/2010 Feldstein H01H 9/0271
361/807

* cited by examiner

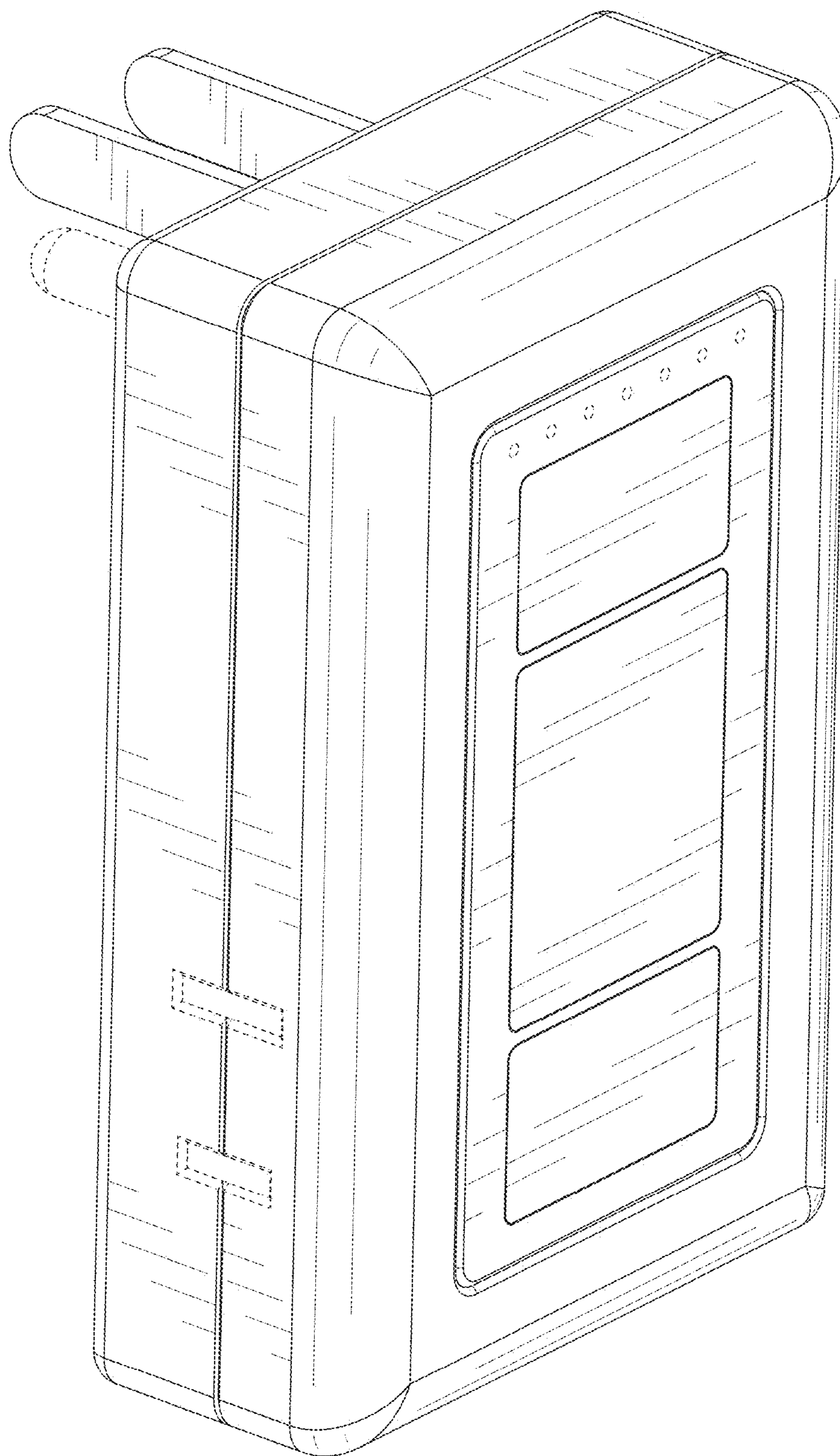


FIG. 1

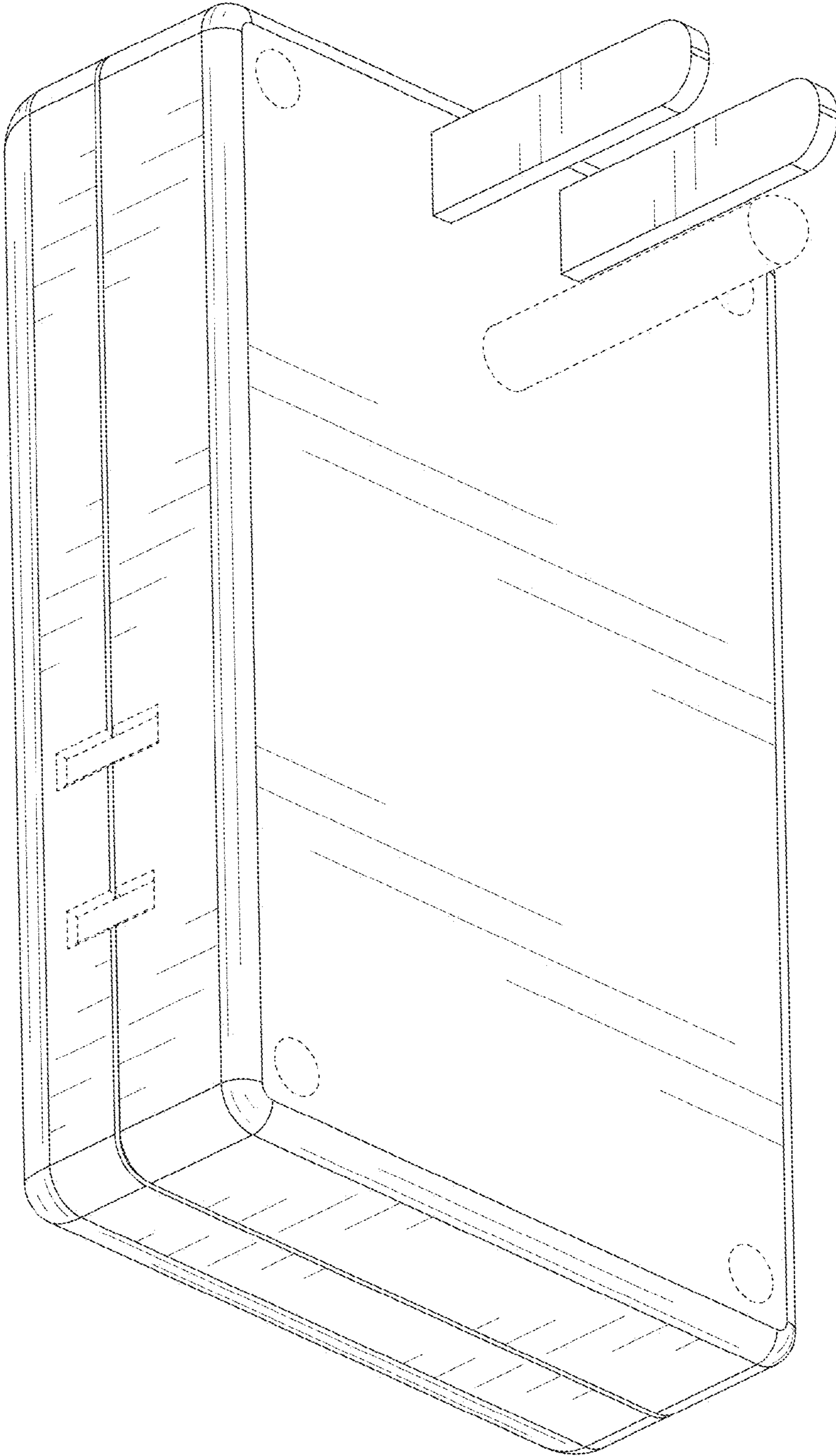


FIG. 2

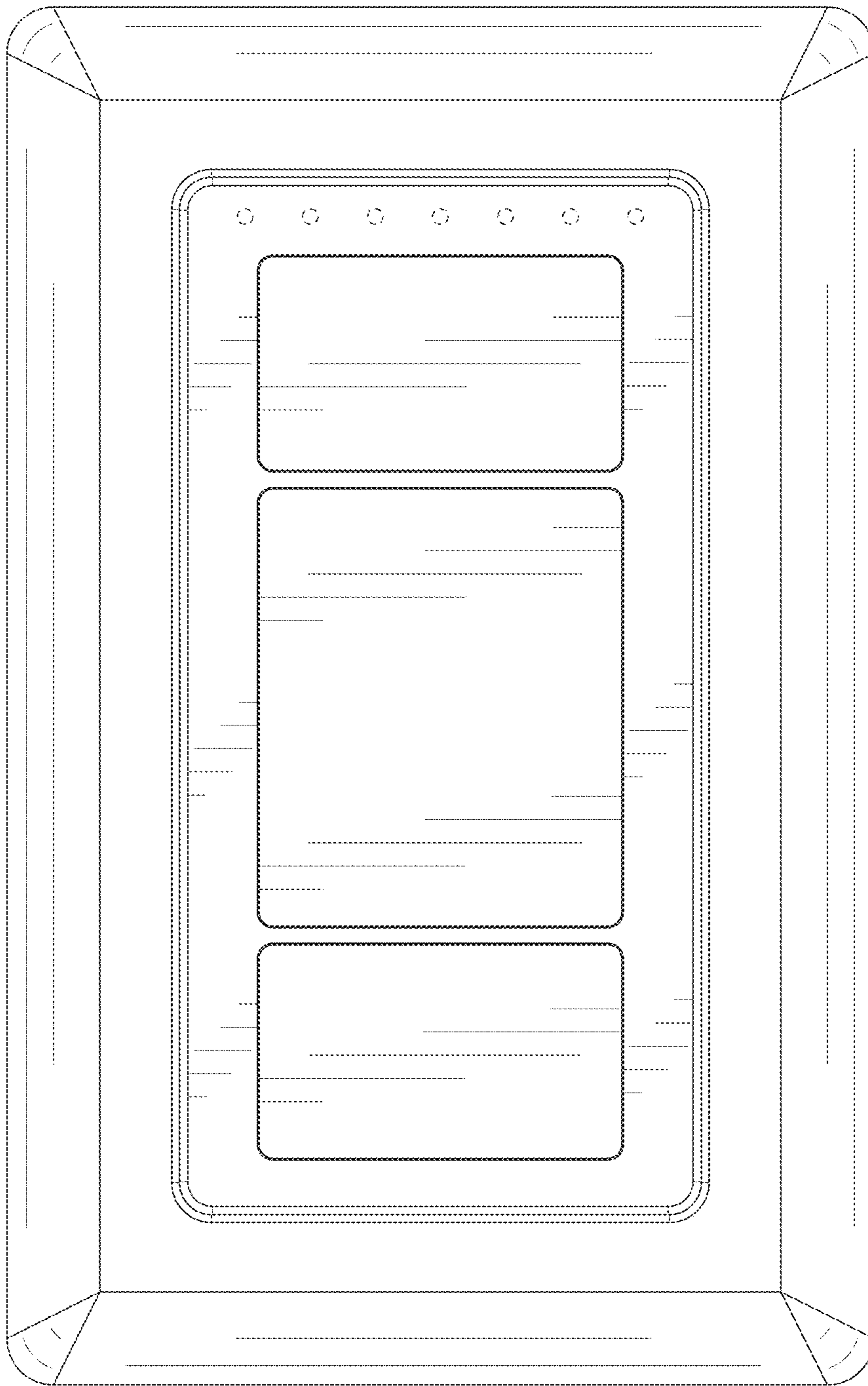


FIG. 3

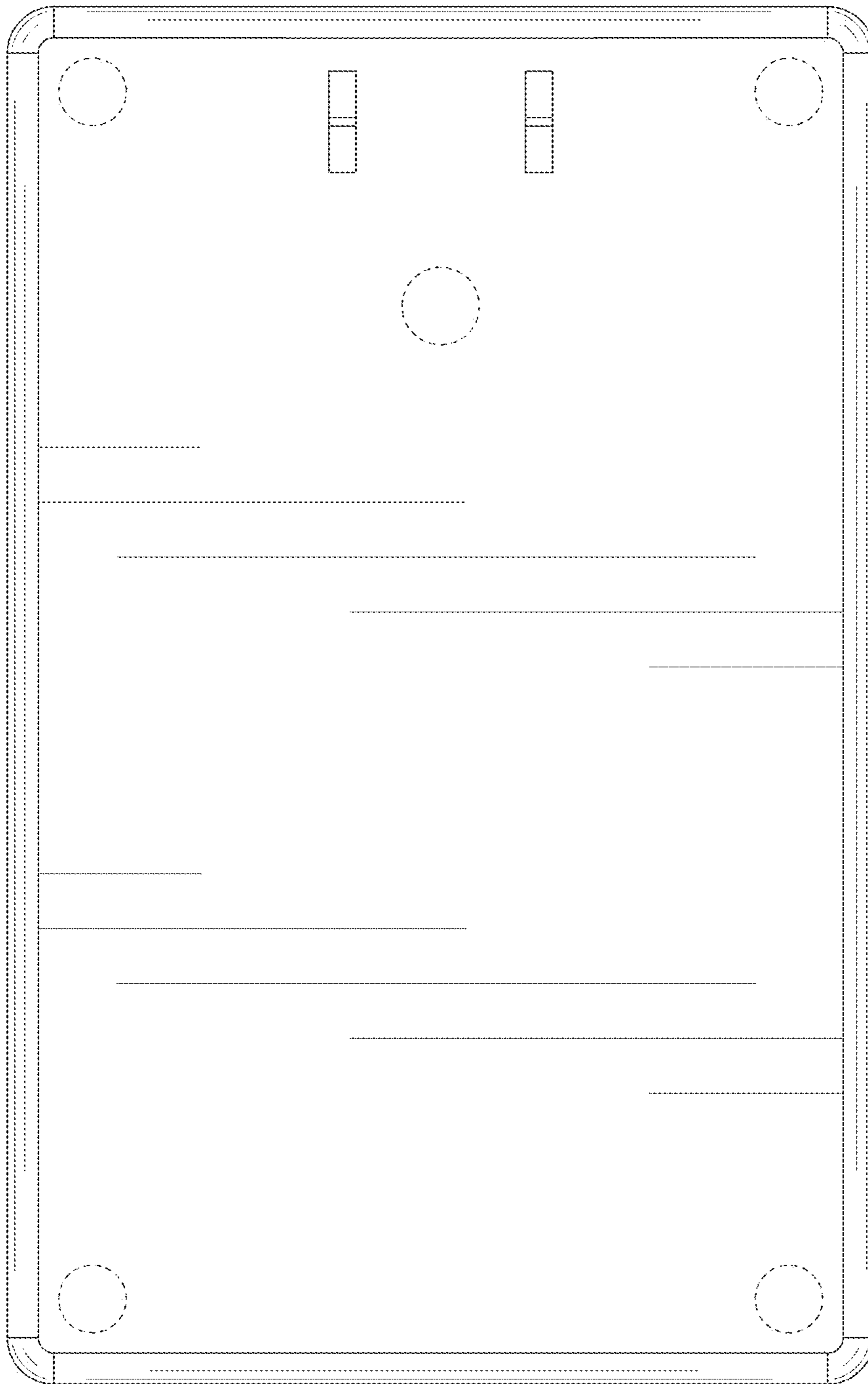


FIG. 4

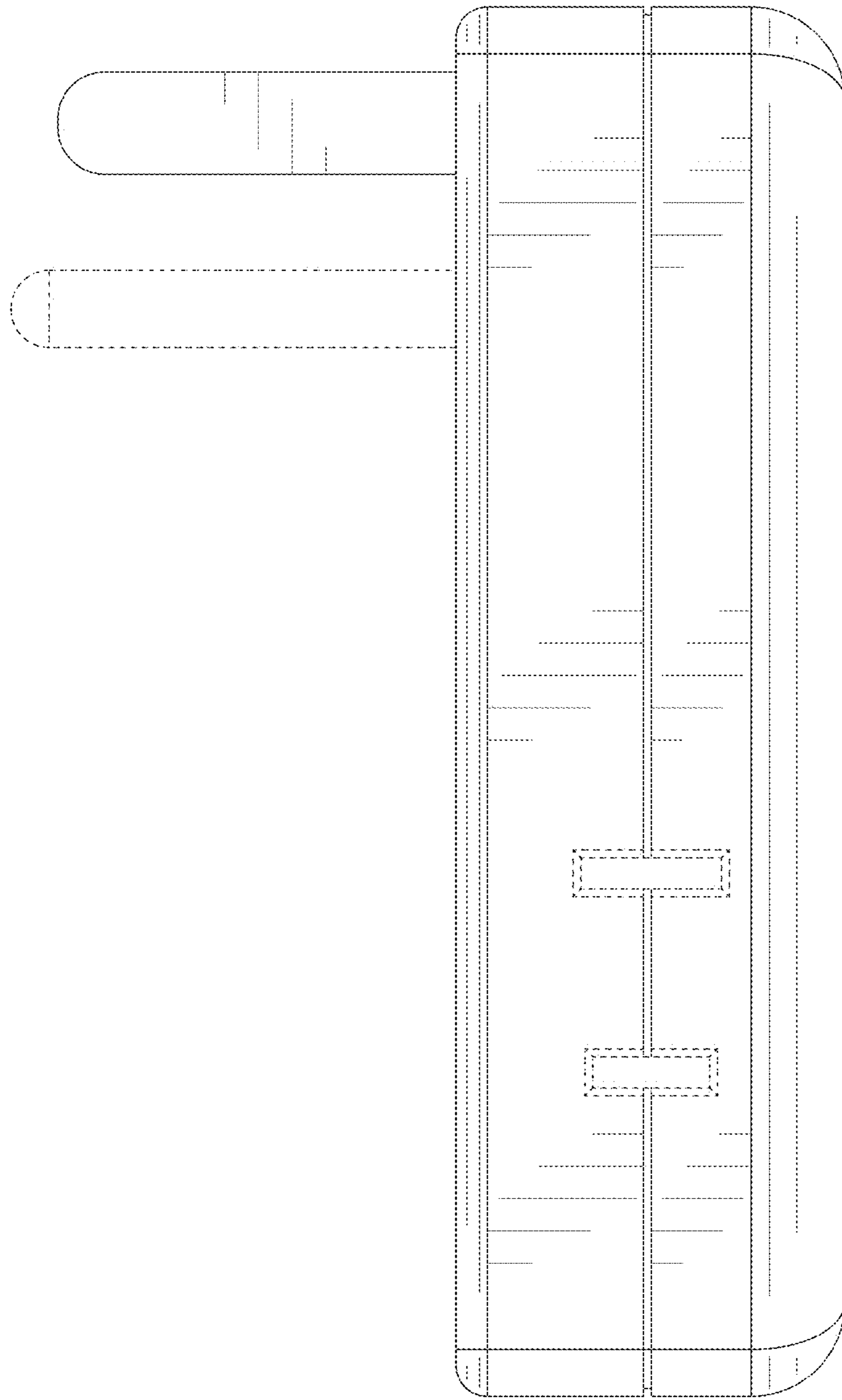


FIG. 5

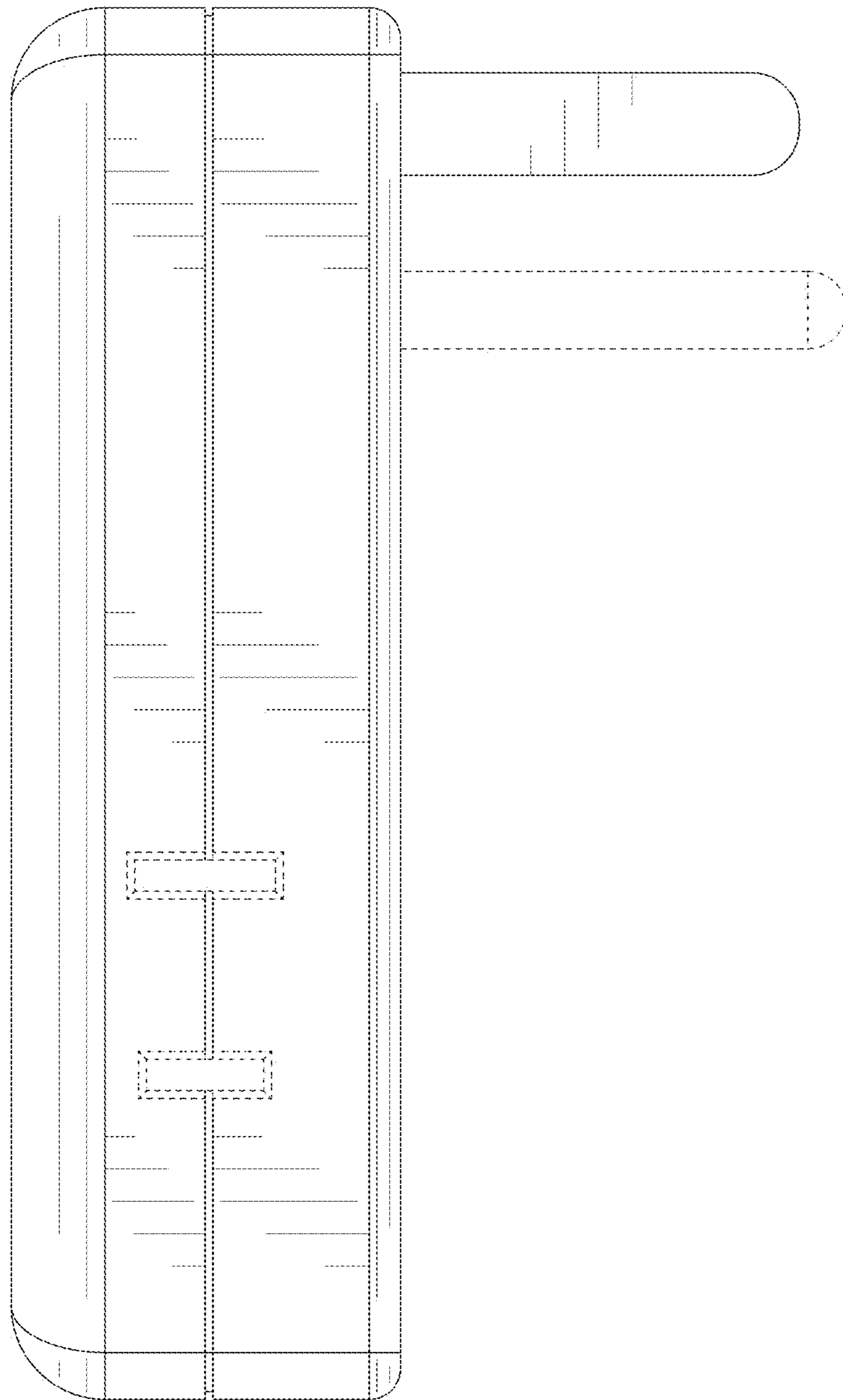


FIG. 6

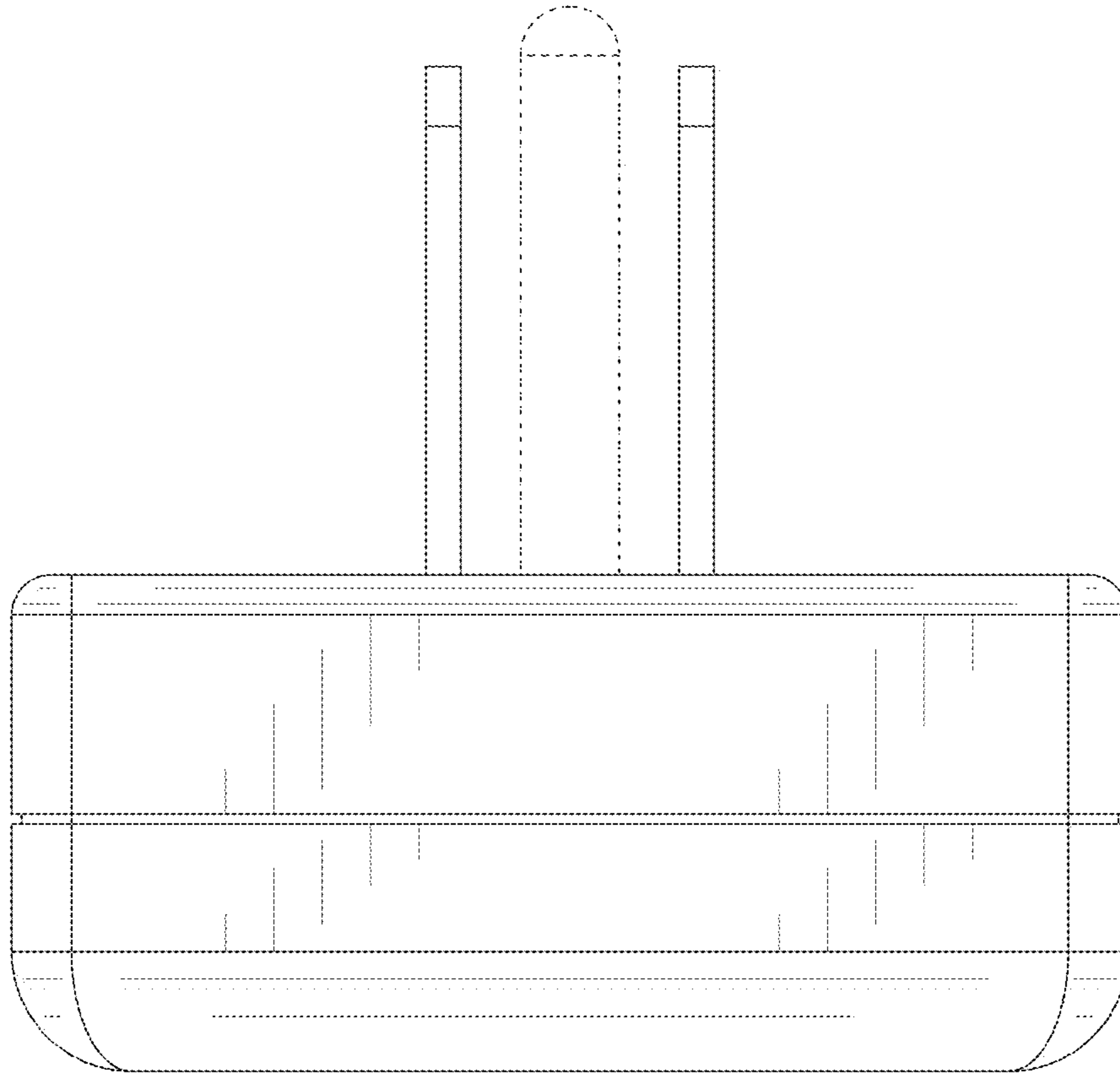


FIG. 7

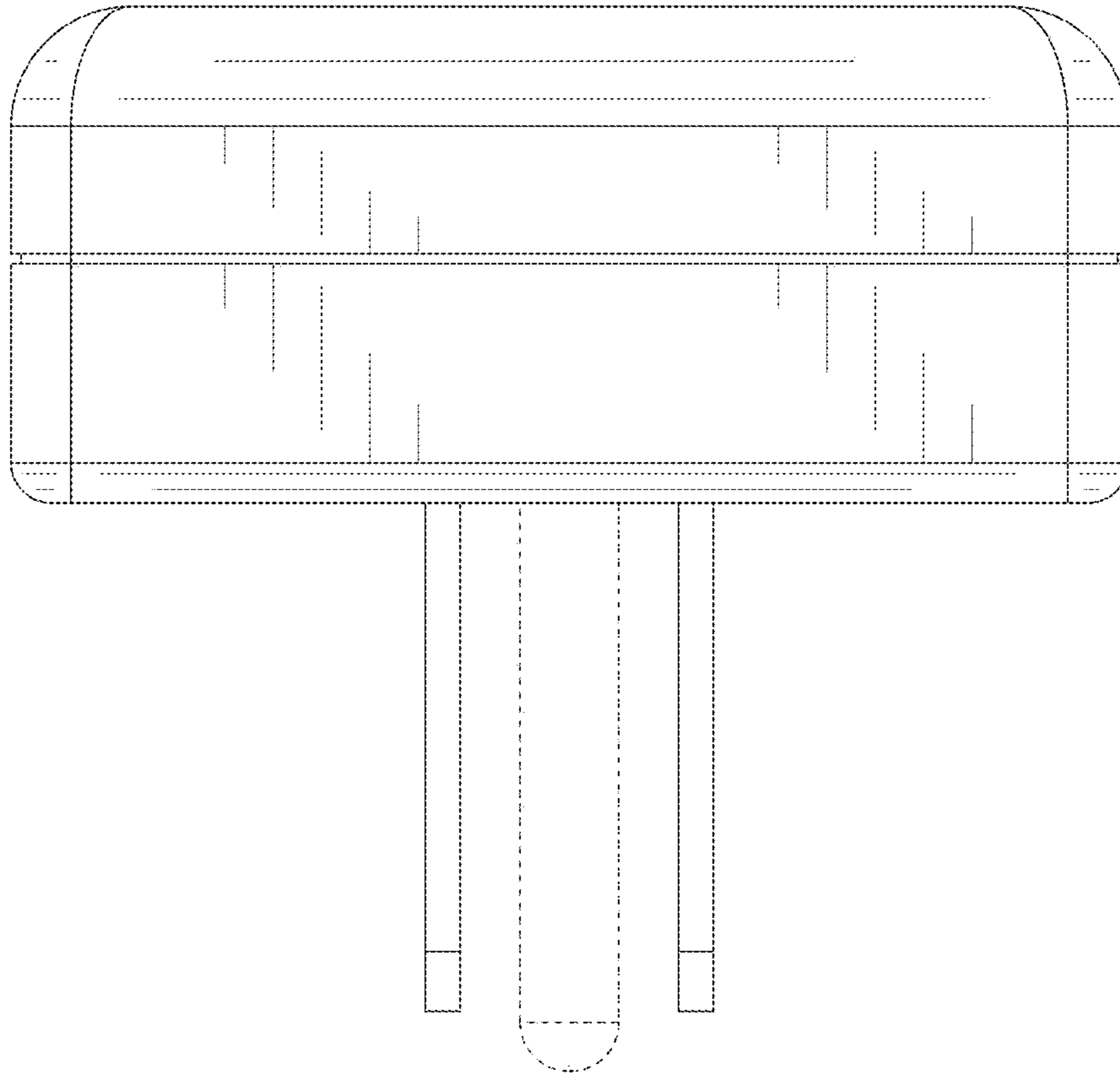


FIG. 8