



US00D982527S

(12) **United States Design Patent**
Li et al.

(10) **Patent No.:** **US D982,527 S**
(45) **Date of Patent:** **** Apr. 4, 2023**

(54) **ELECTRIC CONNECTOR**

(71) Applicant: **LUXSHARE PRECISION INDUSTRY CO., LTD.**, Shenzhen (CN)

(72) Inventors: **Huabing Li**, Shenzhen (CN); **Zhongyuan Lai**, Shenzhen (CN); **Chenhui Zeng**, Shenzhen (CN); **Yu Huang**, Shenzhen (CN)

(73) Assignee: **LUXSHARE PRECISION INDUSTRY CO., LTD.**, Shenzhen (CN)

(**) Term: **15 Years**

(21) Appl. No.: **29/776,430**

(22) Filed: **Mar. 30, 2021**

(30) **Foreign Application Priority Data**

Oct. 19, 2020 (CN) 202030621801.6

(51) **LOC (14) Cl.** **13-03**

(52) **U.S. Cl.**
USPC **D13/147; D13/133**

(58) **Field of Classification Search**
USPC D13/119–120, 133–134, 146–147, 149, D13/153–154, 174, 182, 199; D14/433, D14/435.1, 480.1, 383
CPC ... H01R 13/405; H01R 13/6658; H01R 27/00
See application file for complete search history.

(56) **References Cited**

U.S. PATENT DOCUMENTS

D517,016 S * 3/2006 Nishio D13/147
D521,937 S * 5/2006 Nishio D13/147
D521,938 S * 5/2006 Nishio D13/147
D525,589 S * 7/2006 Wu D13/147
D680,500 S * 4/2013 Xie D13/147

(Continued)

FOREIGN PATENT DOCUMENTS

CN 107181090 A 9/2017
TW 202021210 A 6/2020

OTHER PUBLICATIONS

Newark, Date: Nov. 18, 2020, [online], [site visited Jul. 1, 2022]. Available from internet, URL: <https://www.newark.com/multicomp/60s019p-301n-b1/connector-hdmi-plug-19-position/dp/06R5630> (Year: 2020).*

(Continued)

Primary Examiner — Shawn T Gingrich

Assistant Examiner — Bryan N. Melvin

(74) *Attorney, Agent, or Firm* — Birch, Stewart, Kolasch & Birch, LLP

(57) **CLAIM**

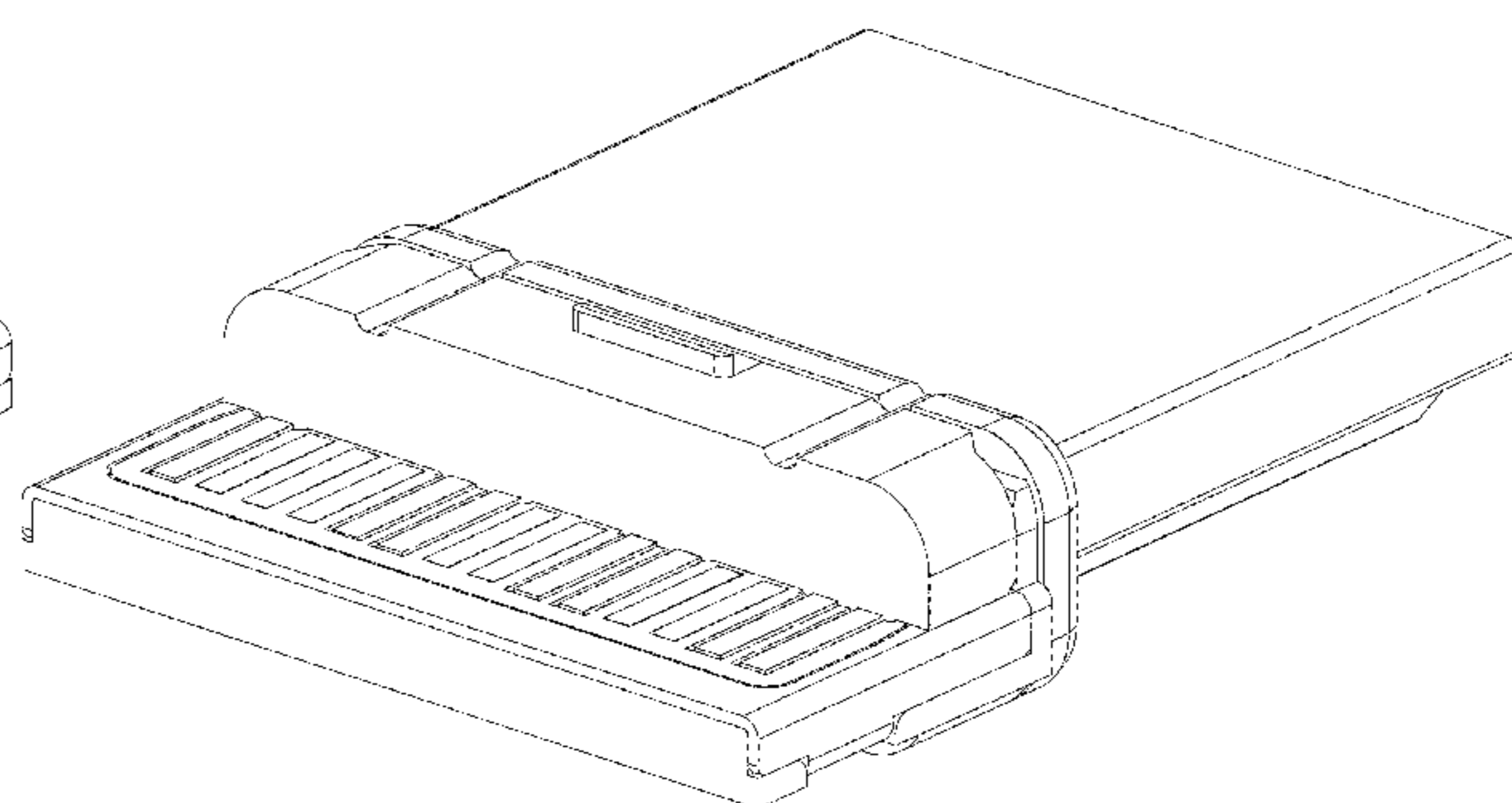
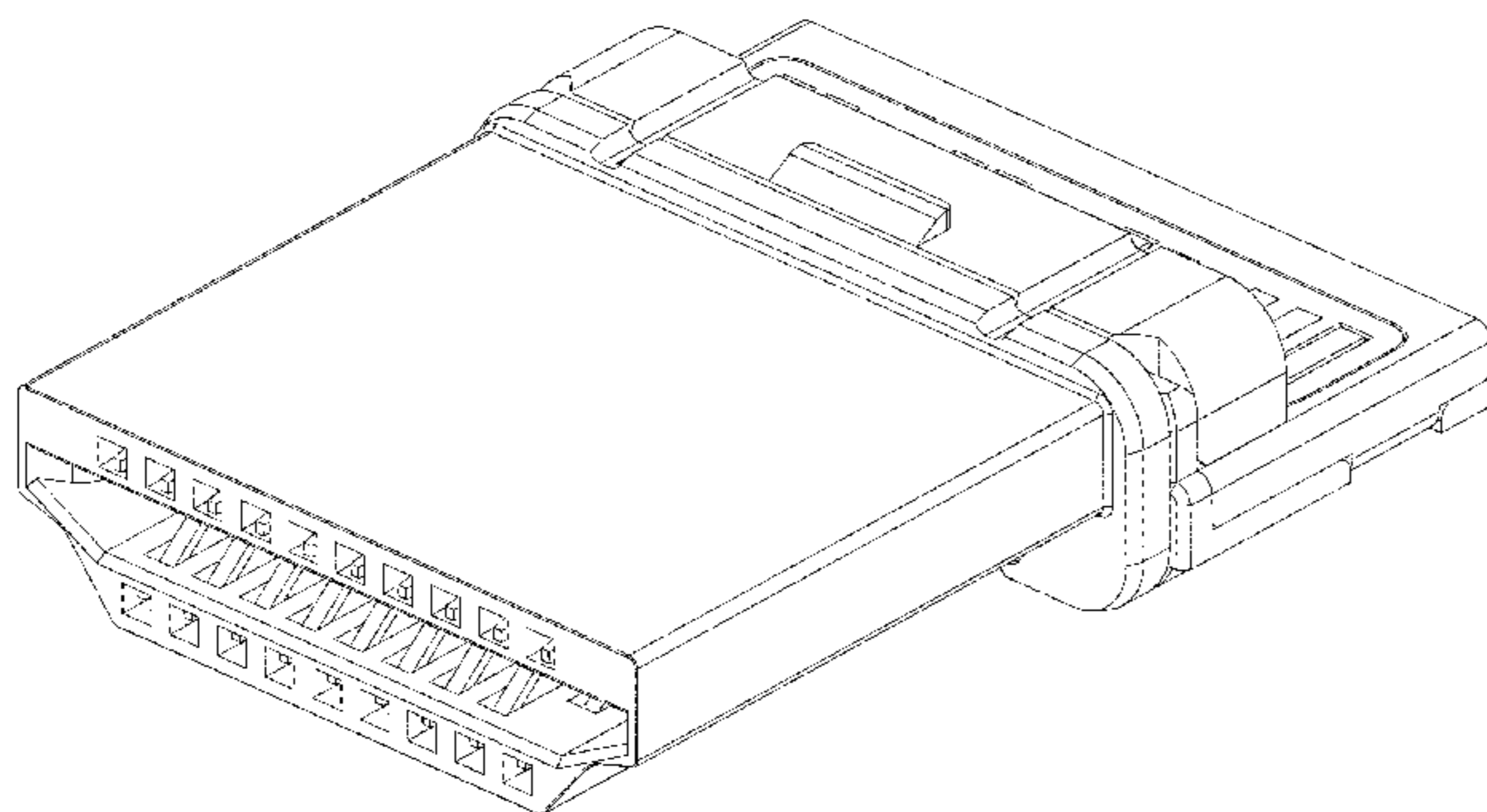
The ornamental design for an electrical connector, as shown and described.

DESCRIPTION

FIG. 1 is a front, top and right side perspective view of an electric connector showing our new design; FIG. 2 is a rear, top and left side perspective view of an electric connector showing our new design. FIG. 3 is a front elevational view of the electric connector; FIG. 4 is a rear elevational view of the electric connector; FIG. 5 is a top plan view of the electric connector; FIG. 6 is a bottom plan view of the electric connector; FIG. 7 is a left side elevational view of the electric connector; and, FIG. 8 is a right side elevational view of the electric connector.

The broken lines in the drawings illustrate portions of the electrical connector that form no part of the claimed design.

1 Claim, 8 Drawing Sheets



(56)

References Cited

U.S. PATENT DOCUMENTS

D688,651 S * 8/2013 Daniel D14/240
D710,366 S * 8/2014 Kim D14/480.1
D774,035 S * 12/2016 Kao D14/435.1
D835,109 S * 12/2018 Chen D14/433
D959,428 S * 8/2022 Bockenstedt D14/383
D960,169 S * 8/2022 Liu D14/480.1
2013/0109242 A1 * 5/2013 Li H01R 13/6658
439/660
2013/0115822 A1 * 5/2013 Pan H01R 27/00
439/660
2021/0119374 A1 * 4/2021 Wan H01R 13/405
2022/0123510 A1 * 4/2022 Li H01R 13/405

OTHER PUBLICATIONS

Shopee, Date: 2021, [online], [site visited Jul. 1, 2022]. Available from internet, URL: <https://www.newark.com/multicomp/60s019p-301n-b1/connector-hdmi-plug-19-position/dp/06R5630> (Year: 2021).*

Oiyagai, Date: May 5, 2018, [online], [site visited Jul. 1, 2022]. Available from internet, URL: <https://www.newark.com/multicomp/60s019p-301n-b1/connector-hdmi-plug-19-position/dp/06R5630> (Year: 2018).*

* cited by examiner

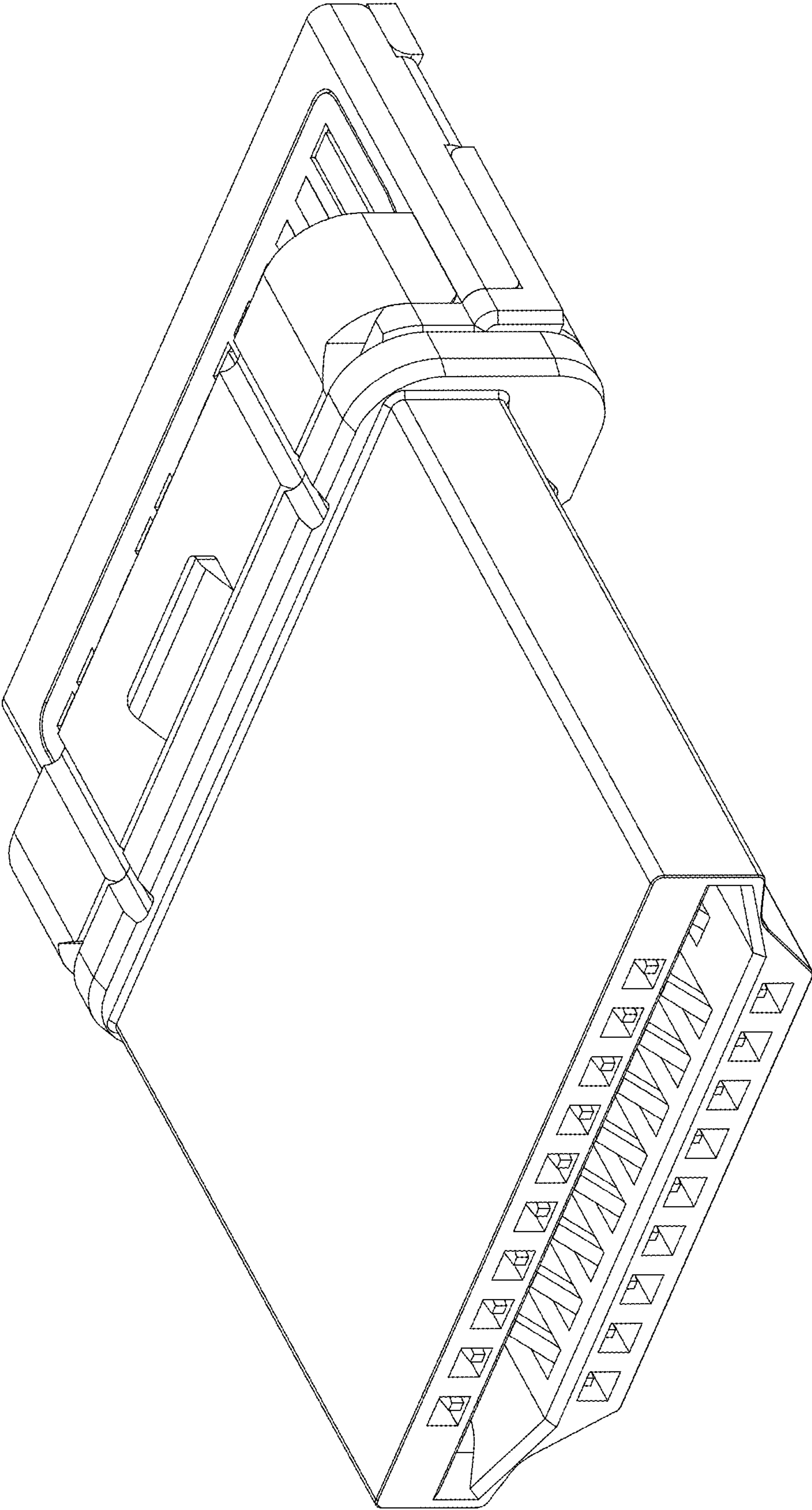


FIG. 1

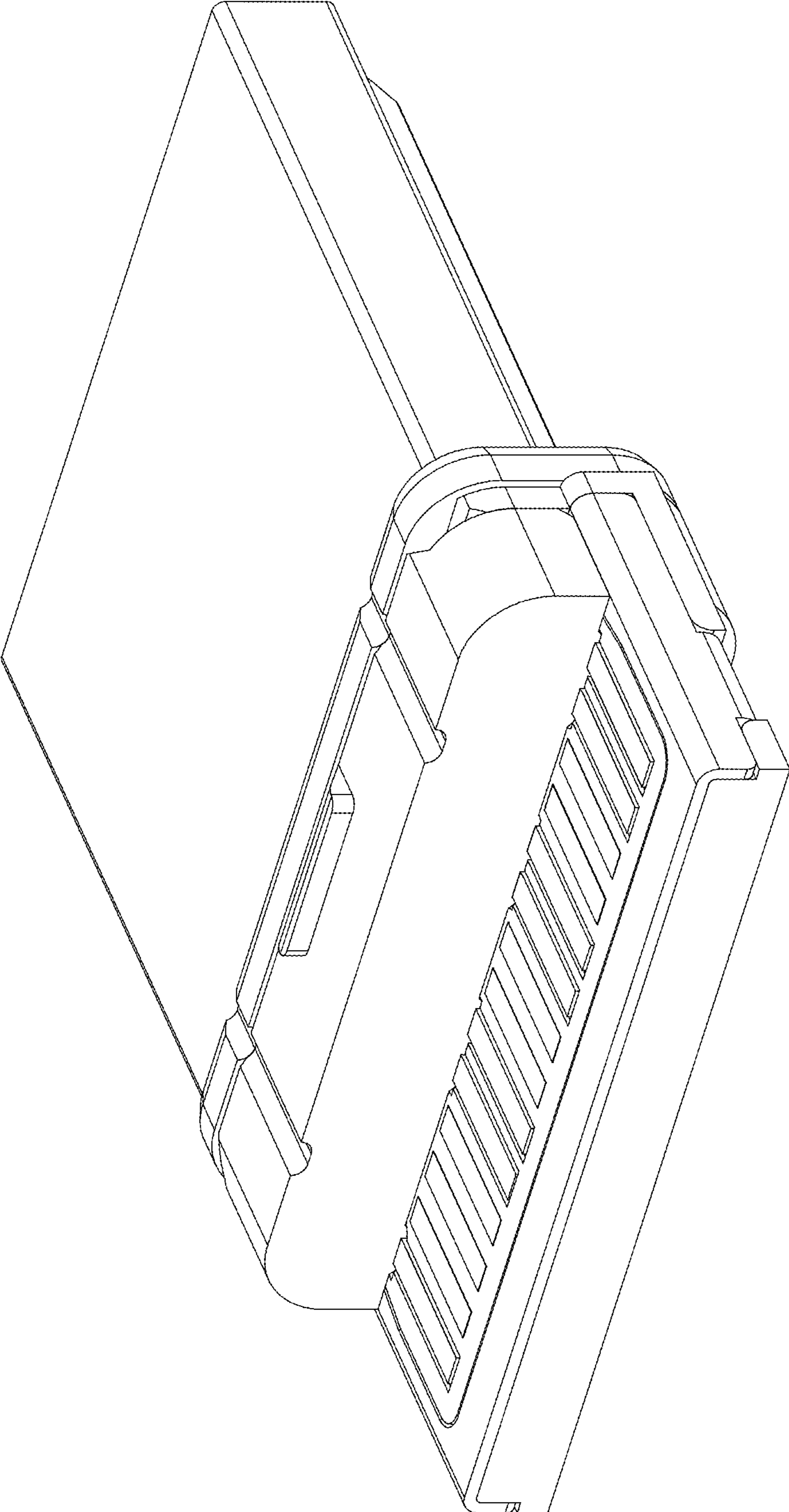


FIG. 2

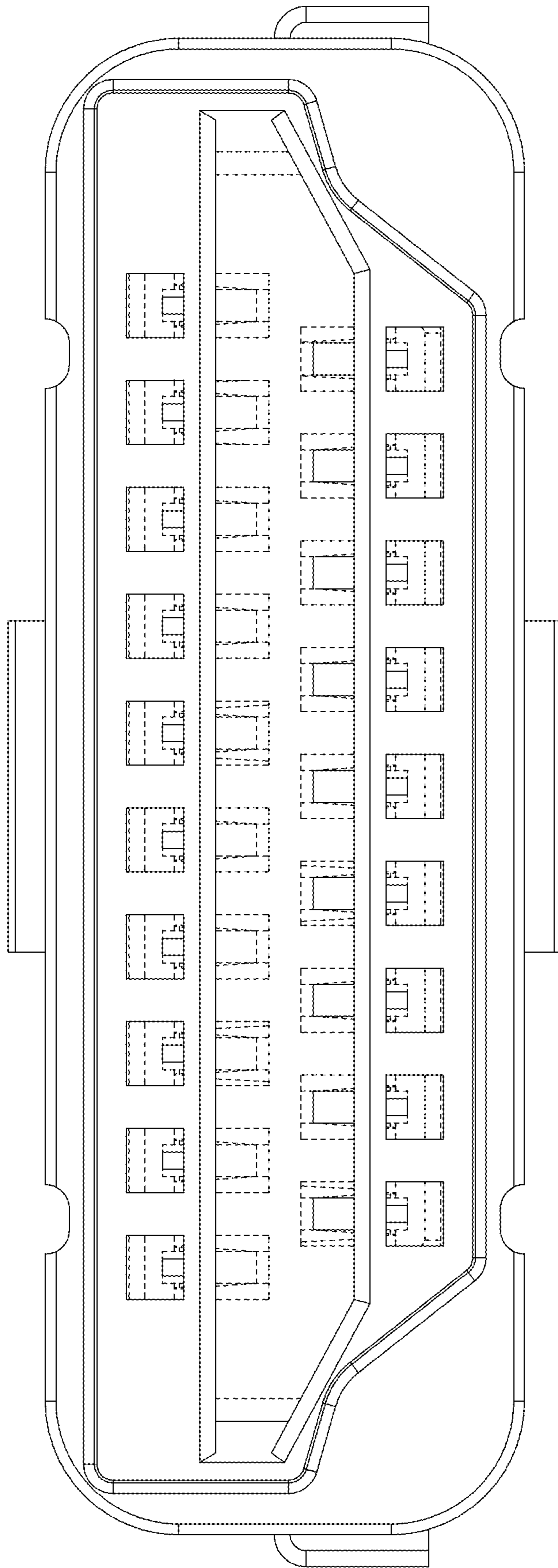


FIG. 3

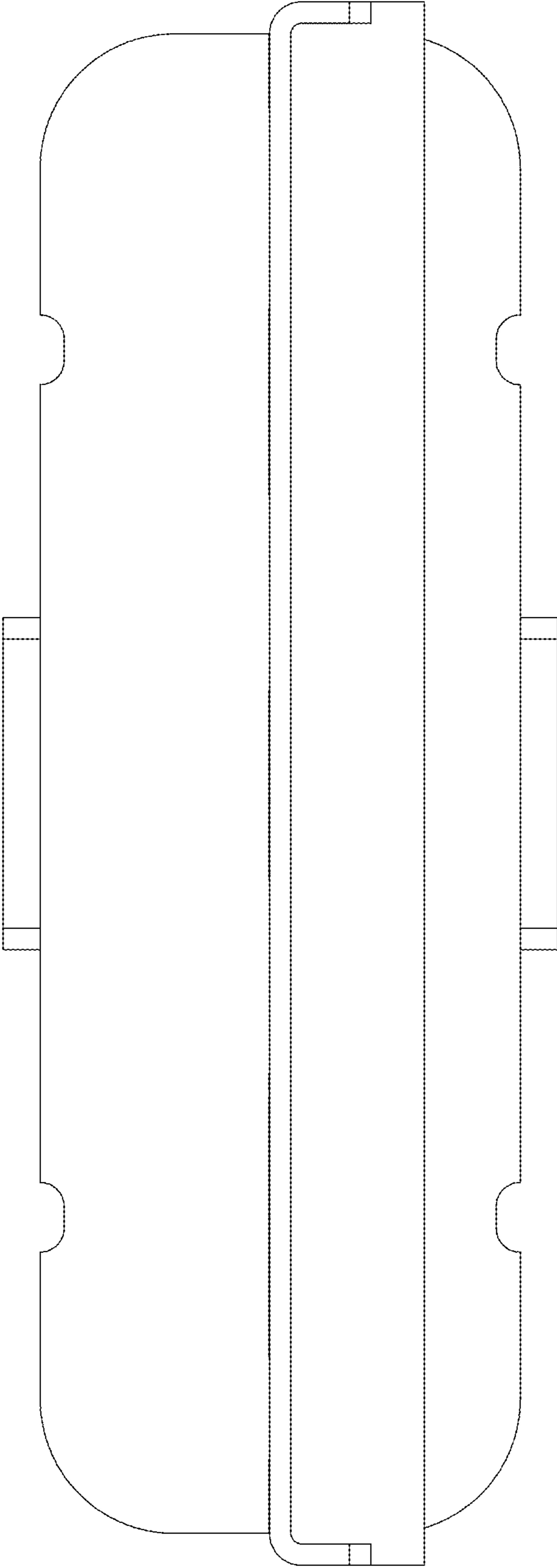


FIG. 4

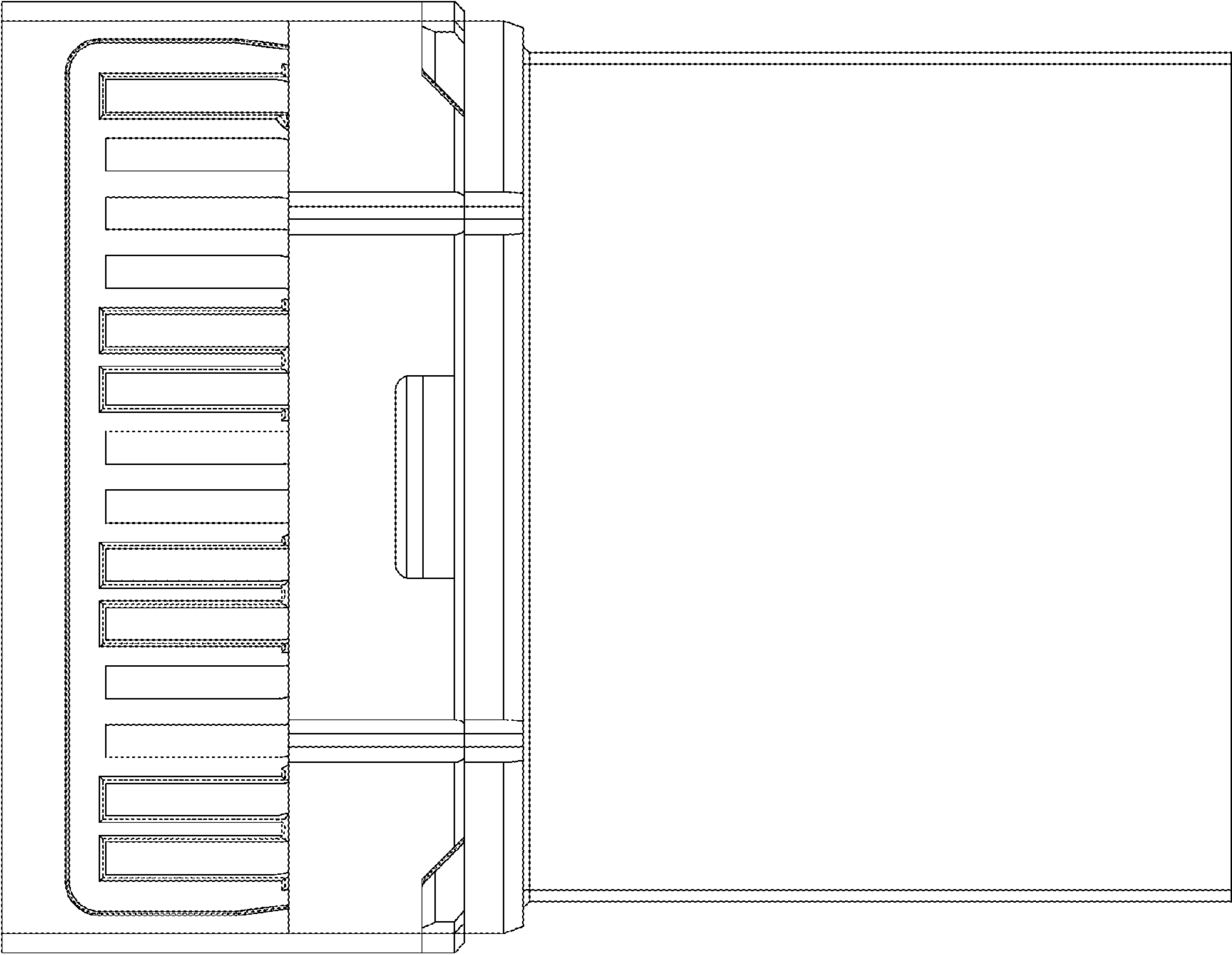


FIG. 5

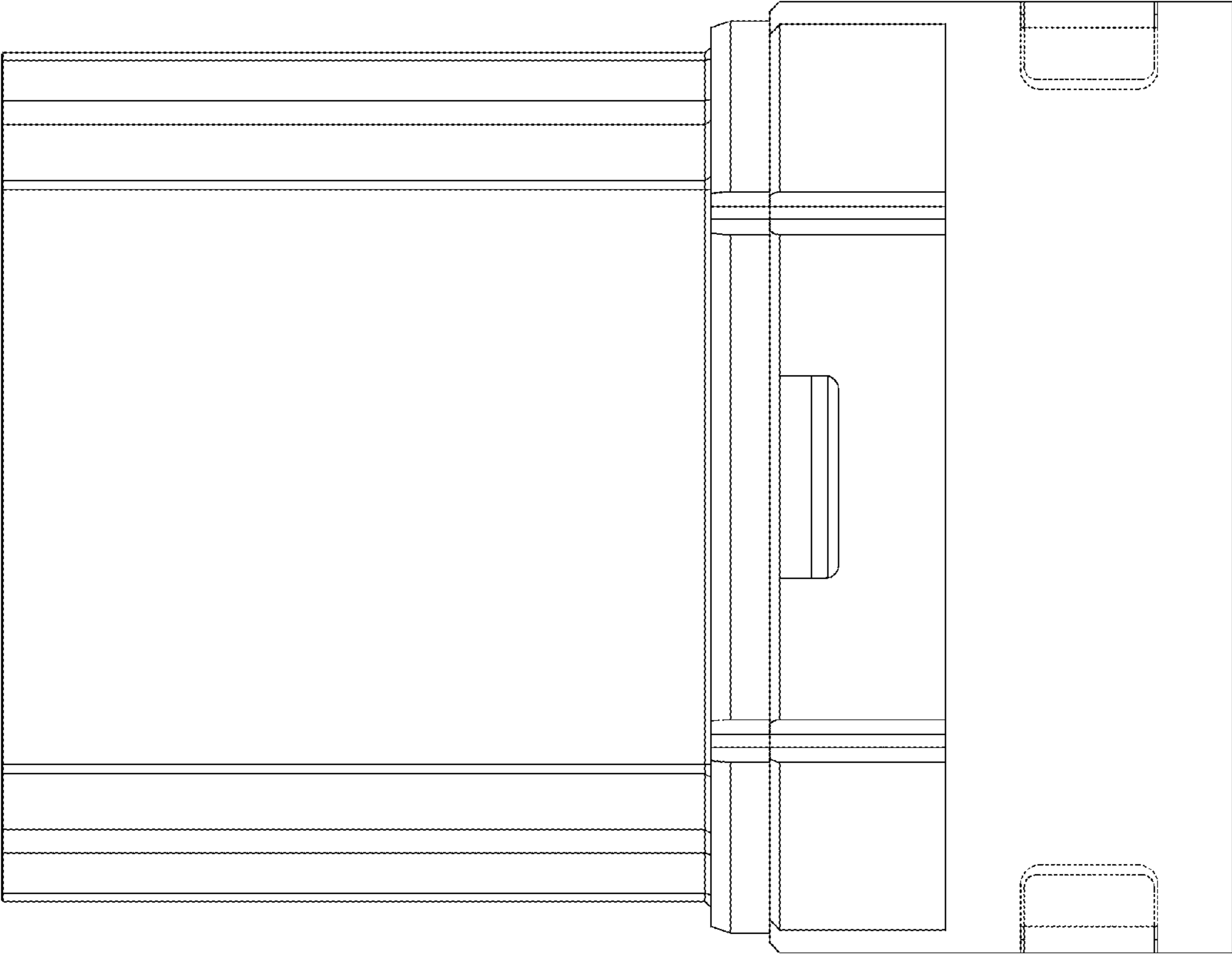


FIG. 6

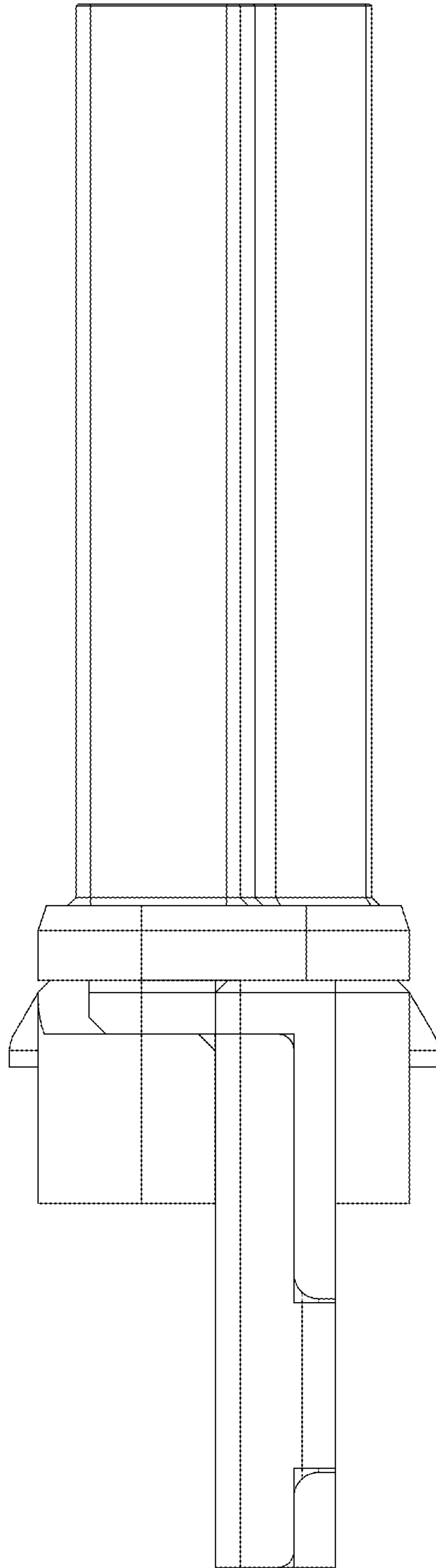


FIG. 7

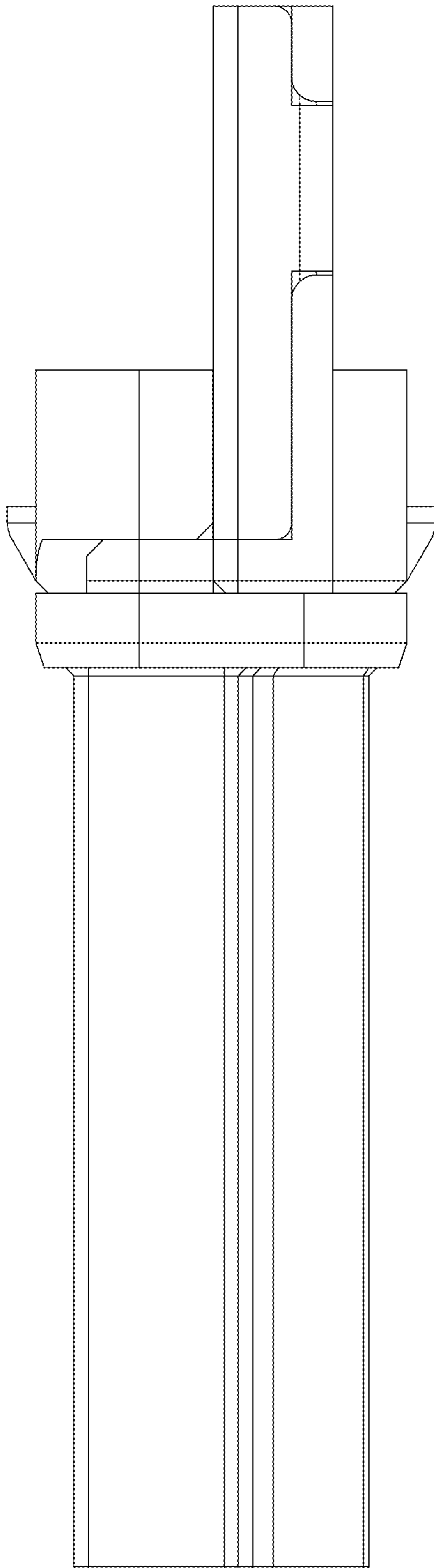


FIG. 8