



US00D982526S

(12) **United States Design Patent**
Shimomaki

(10) **Patent No.:** **US D982,526 S**

(45) **Date of Patent:** **** Apr. 4, 2023**

(54) **CONNECTOR**

(71) Applicant: **Japan Aviation Electronics Industry, Limited**, Tokyo (JP)

(72) Inventor: **Yuta Shimomaki**, Tokyo (JP)

(73) Assignee: **JAPAN AVIATION ELECTRONICS INDUSTRY, LIMITED**, Tokyo (JP)

(**) Term: **15 Years**

(21) Appl. No.: **29/745,301**

(22) Filed: **Aug. 5, 2020**

(30) **Foreign Application Priority Data**

Feb. 14, 2020 (JP) 2020-002842 D

(51) **LOC (14) Cl.** **13-03**

(52) **U.S. Cl.**
USPC **D13/147; D13/133**

(58) **Field of Classification Search**
USPC D13/119-120, 133-134, 146-147, 149,
D13/153-154, 174, 182, 199; D14/433
CPC H01R 13/521; H01R 13/6471; H01R
13/6596; H01R 24/60
See application file for complete search history.

(56) **References Cited**

U.S. PATENT DOCUMENTS

9,093,792 B2 * 7/2015 Shiratori H01R 13/6471
9,331,433 B2 * 5/2016 Ueda H01R 13/6596
D844,568 S * 4/2019 Naito D13/147
D867,301 S * 11/2019 Saitou D13/147
D911,979 S * 3/2021 Ueda D13/147
D915,285 S * 4/2021 Oosaka D13/133

D921,592 S * 6/2021 Ueda D13/147
D924,160 S * 7/2021 Oosaka D13/147
D924,164 S * 7/2021 Shimomaki D13/147
D925,461 S * 7/2021 Ueda D13/147
D937,218 S * 11/2021 Ueda D13/147
2017/0179634 A1 * 6/2017 Du H01R 13/521
2019/0109415 A1 * 4/2019 Naito H01R 24/60

* cited by examiner

Primary Examiner — Shawn T Gingrich

Assistant Examiner — Bryan N. Melvin

(74) *Attorney, Agent, or Firm* — Manabu Kanesaka

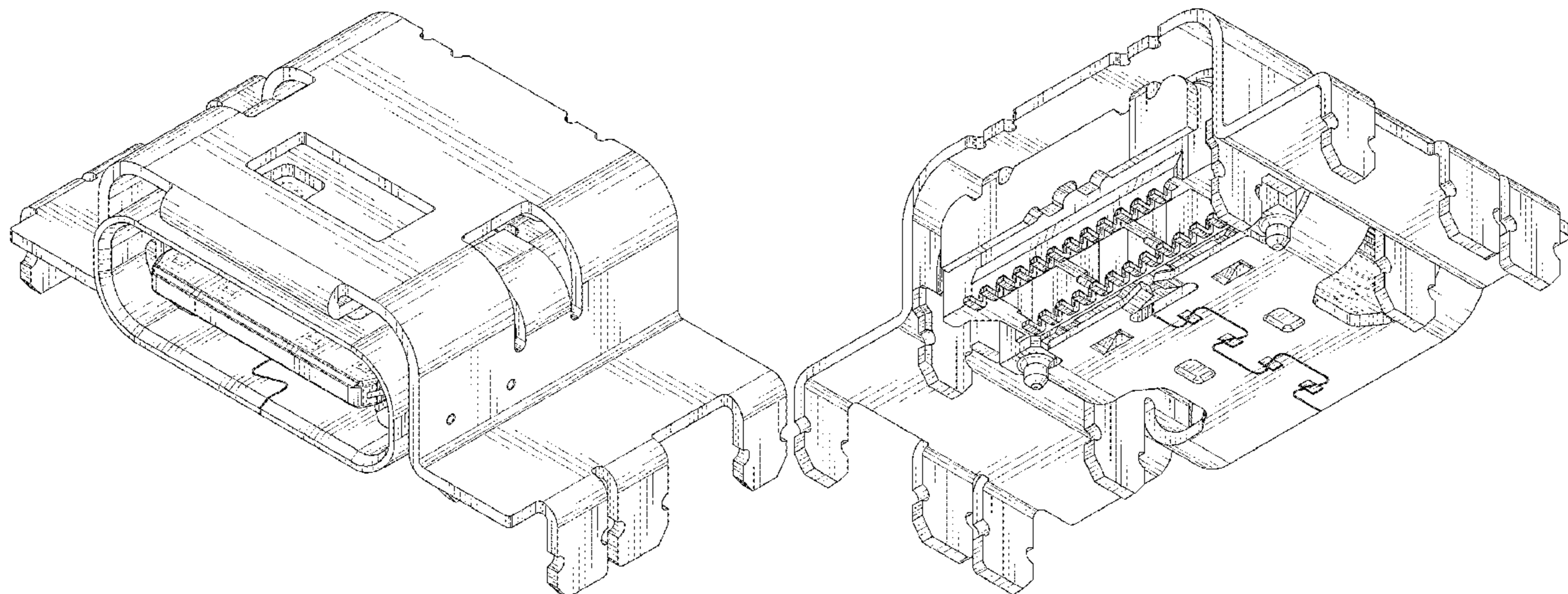
(57) **CLAIM**

The ornamental design for a connector, as shown and described.

DESCRIPTION

FIG. 1 is a front elevational view of a connector showing my new design;
FIG. 2 is a rear elevational view thereof;
FIG. 3 is a right side elevational view thereof;
FIG. 4 is a left side elevational view thereof;
FIG. 5 is a top plan view thereof;
FIG. 6 is a bottom plan view thereof;
FIG. 7 is a perspective view showing a front, top and right side thereof;
FIG. 8 is a perspective view showing a rear, bottom and left side thereof;
FIG. 9 is a perspective view showing a front, right and bottom side thereof; and,
FIG. 10 is a perspective view showing a rear, left and top side thereof.
The broken line showing of the connector is for the purpose of illustrating portions of the article and forms no part of the claimed design.

1 Claim, 5 Drawing Sheets



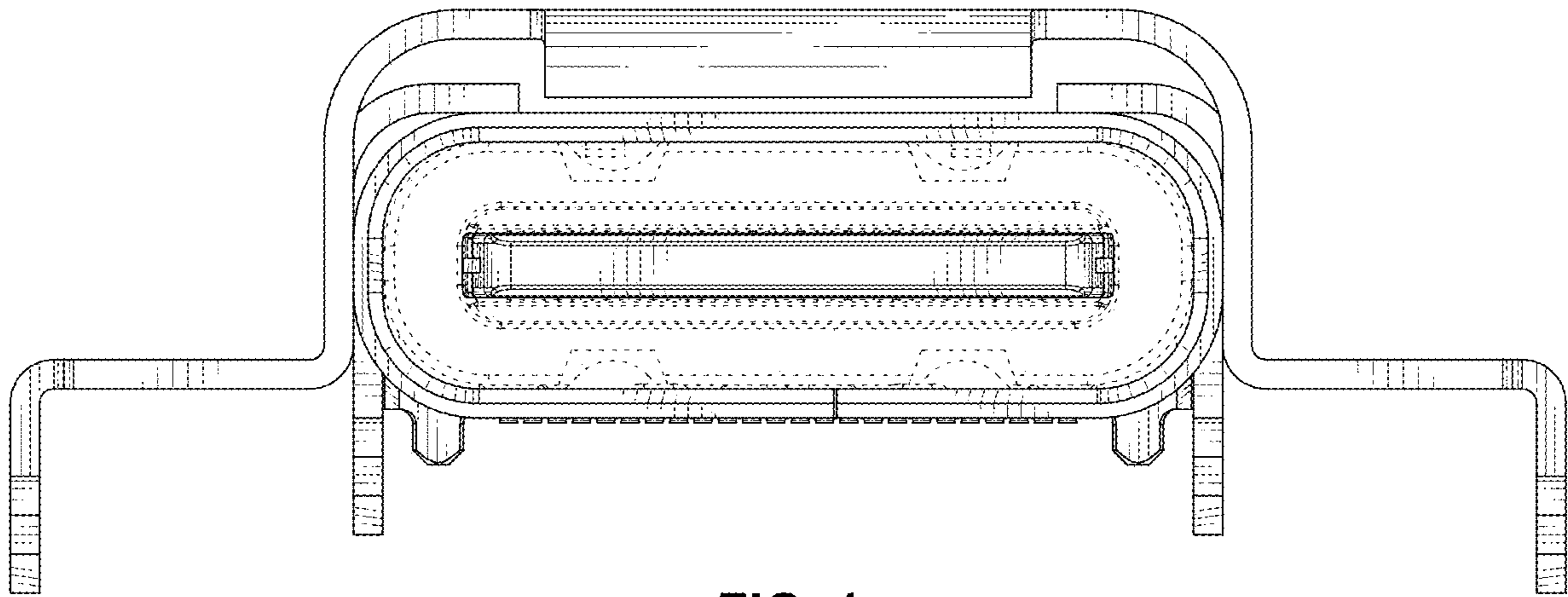


FIG. 1

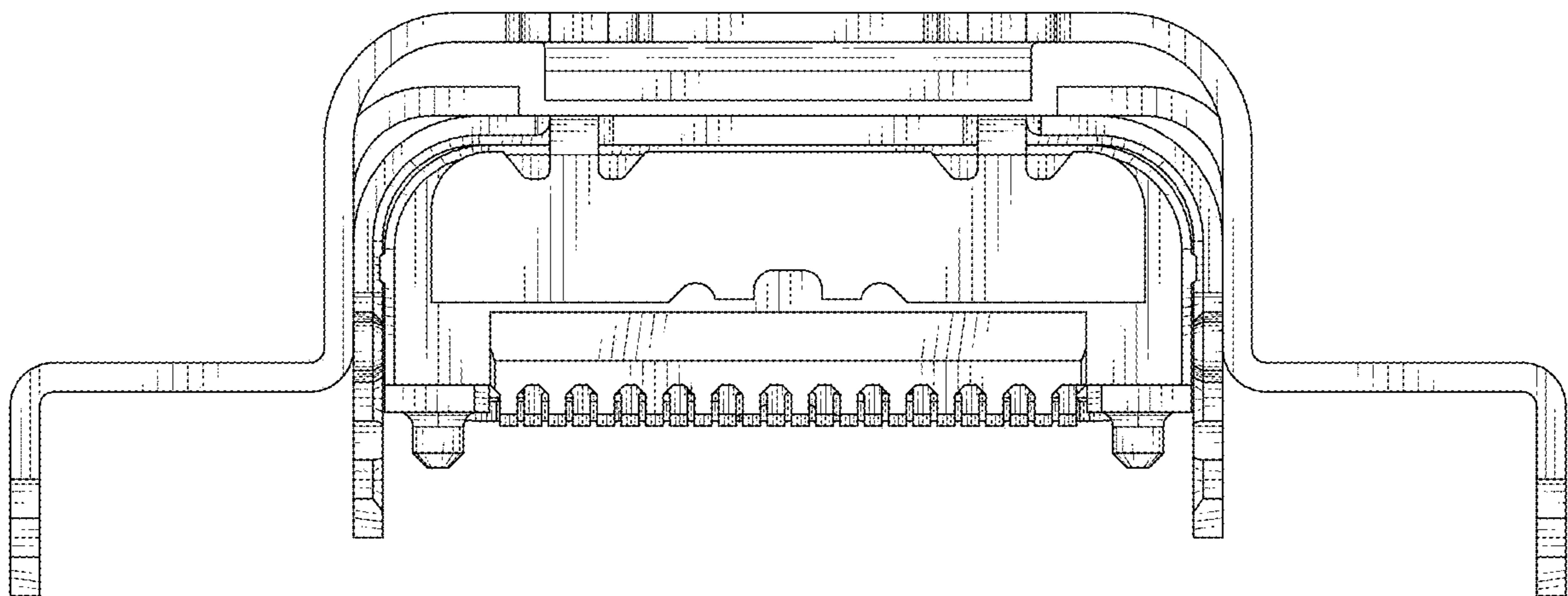


FIG. 2

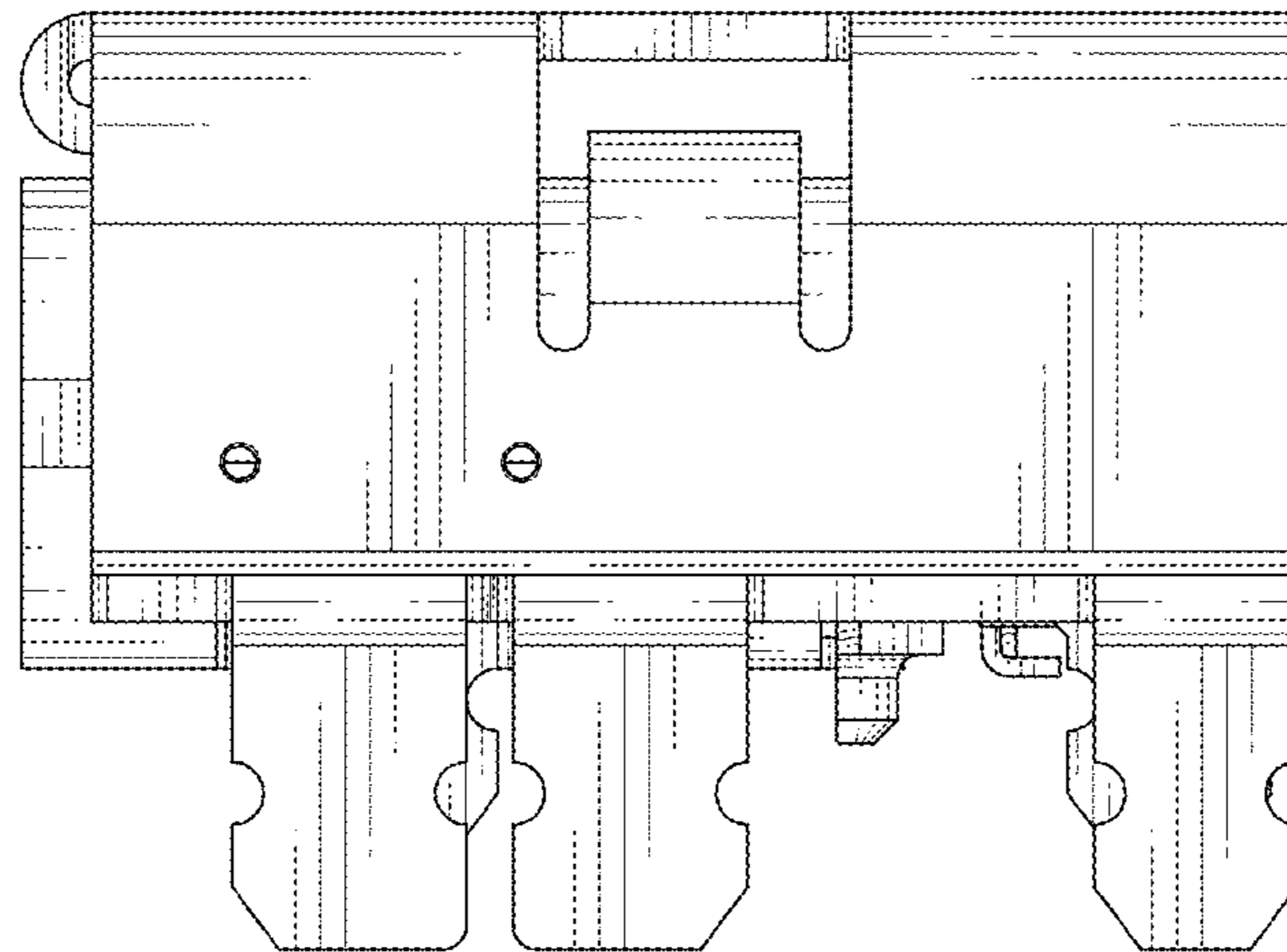


FIG. 3

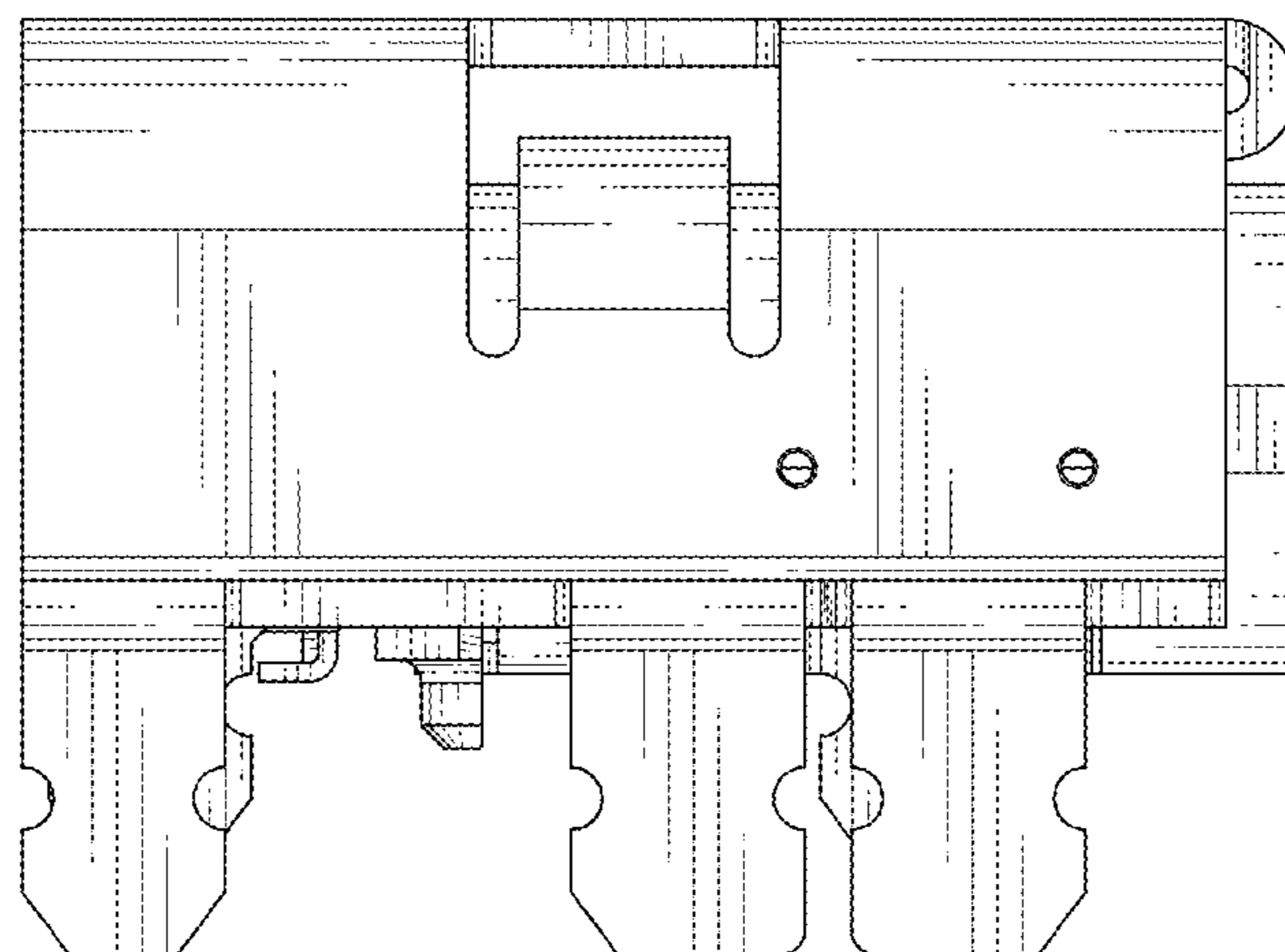


FIG. 4

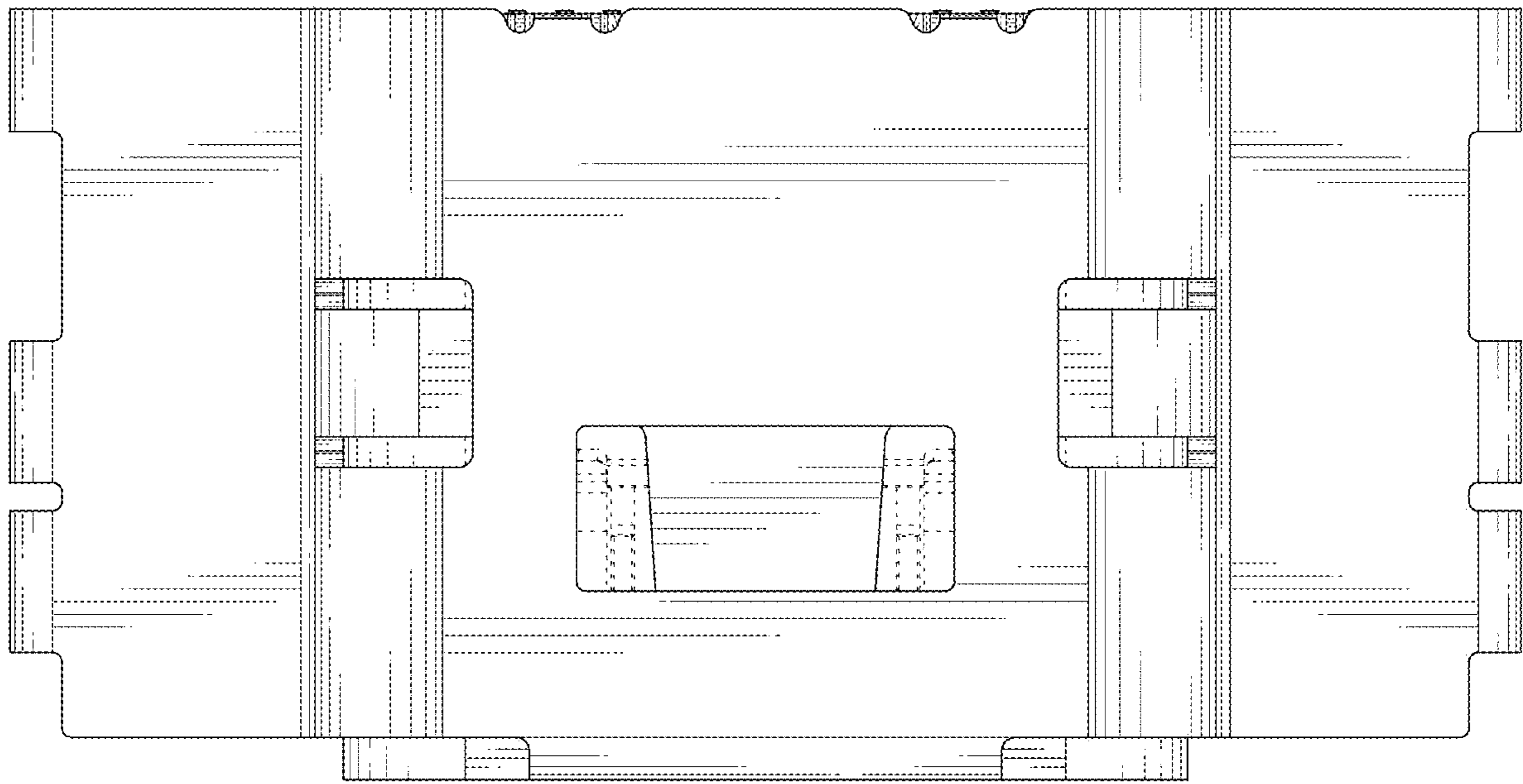


FIG. 5

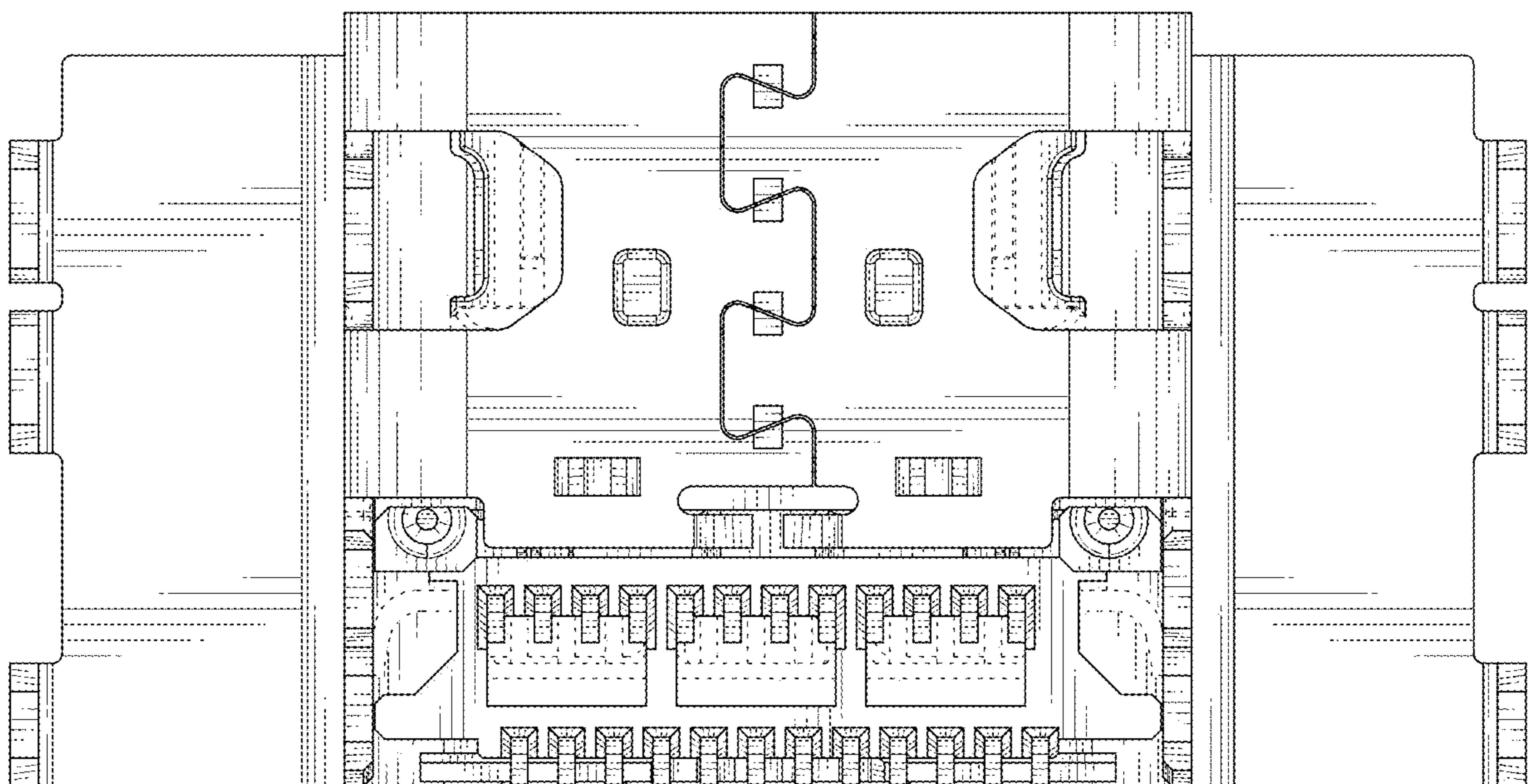


FIG. 6

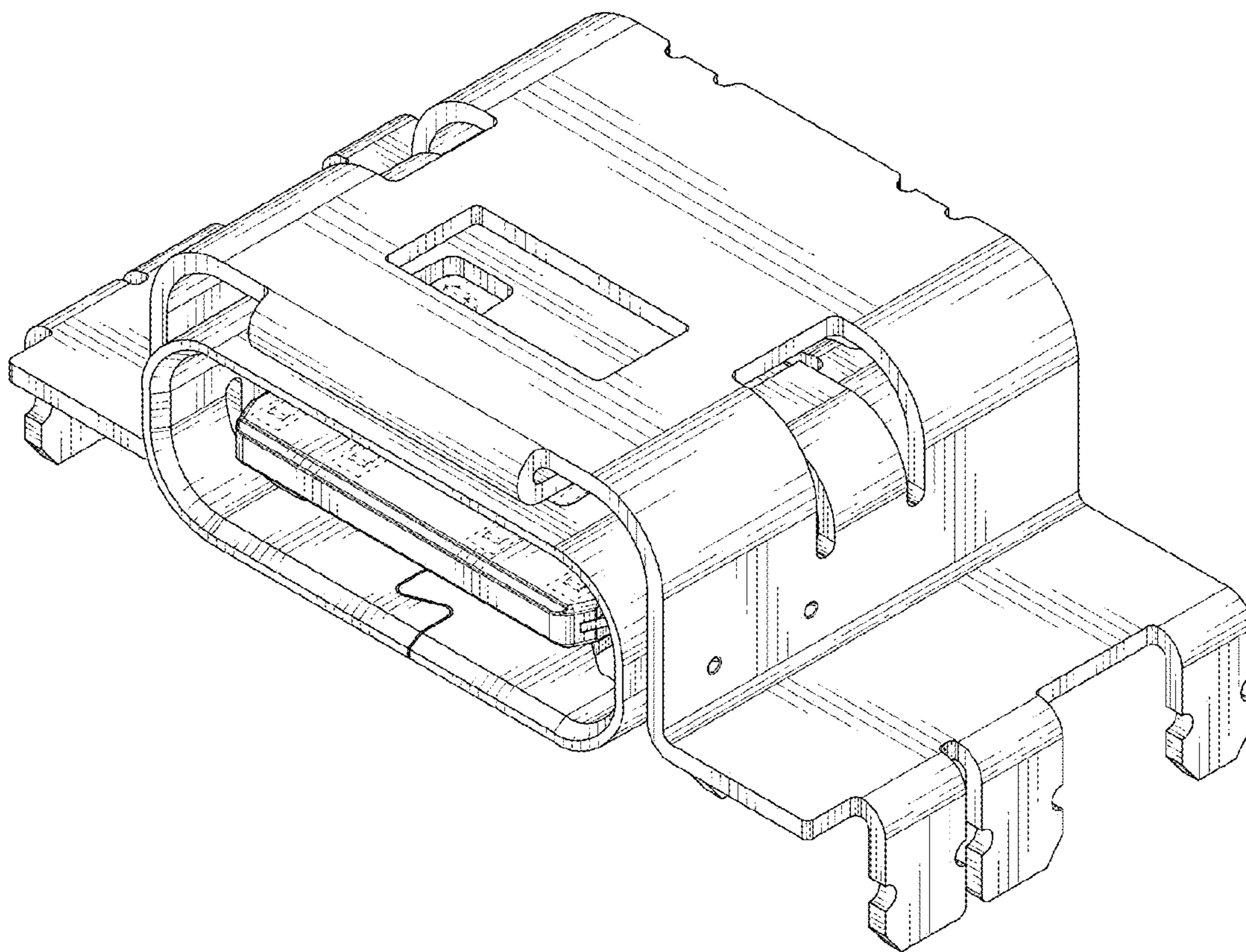


FIG. 7

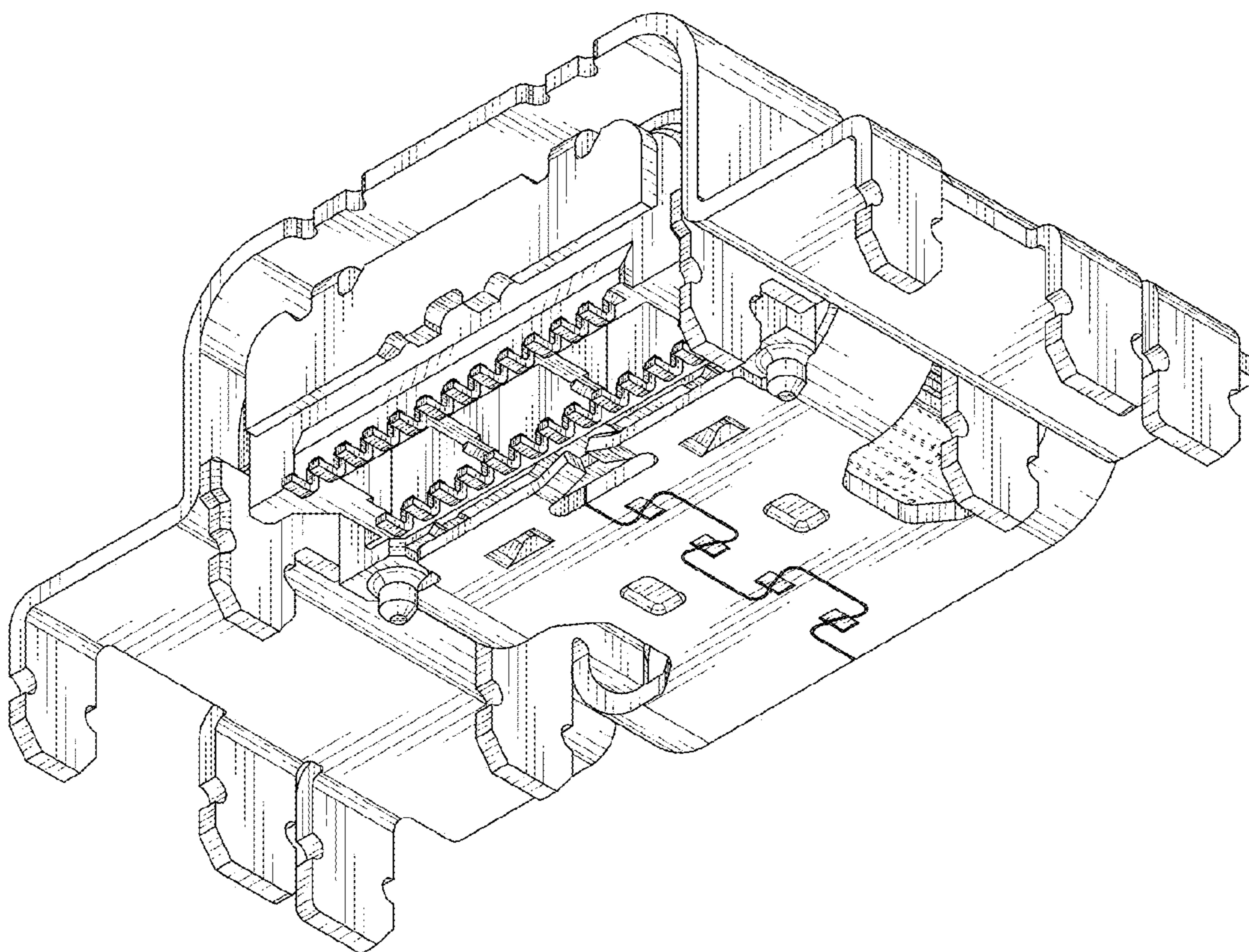


FIG. 8

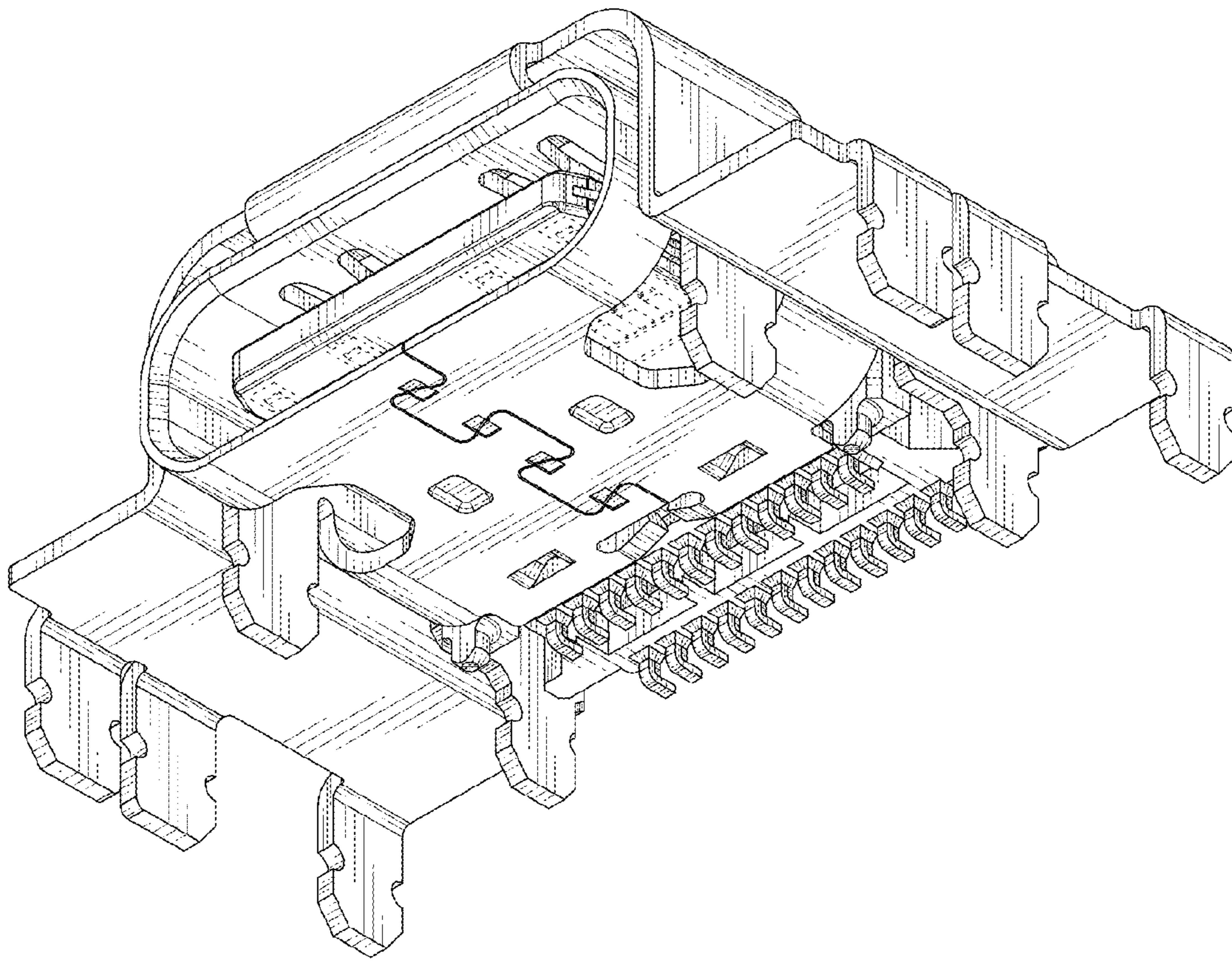


FIG. 9

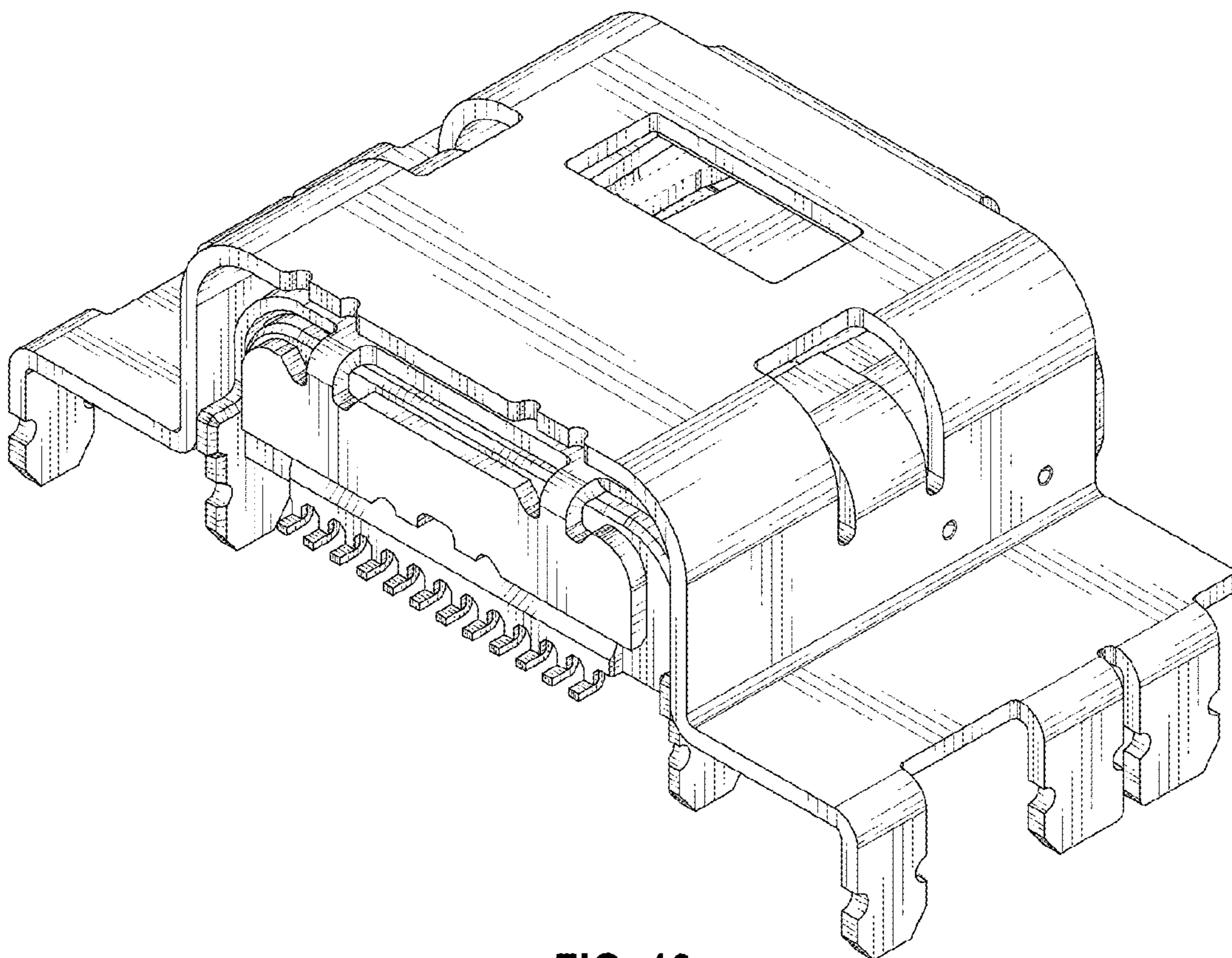


FIG. 10