



US00D982523S

(12) **United States Design Patent** (10) **Patent No.:** **US D982,523 S**
Wu et al. (45) **Date of Patent:** **** Apr. 4, 2023**

(54) **PLUG SOCKET**
(71) Applicants: **Bin Wu**, Guangdong (CN); **Cai Chen**, Guangdong (CN)
(72) Inventors: **Bin Wu**, Guangdong (CN); **Cai Chen**, Guangdong (CN)
(73) Assignee: **Shenzhen Cuco Smart Technology Co., Ltd**, Shenzhen (CN)
(**) Term: **15 Years**
(21) Appl. No.: **29/786,424**
(22) Filed: **Jun. 1, 2021**
(51) **LOC (14) Cl.** **13-03**
(52) **U.S. Cl.**
USPC **D13/137.3**
(58) **Field of Classification Search**
USPC D13/154, 146, 147, 123, 133, D13/137.1–139.8, 110, 159, 184, 199, D13/112, 101, 113–116, 122, 152, 156, D13/153; D8/354, 356; D14/433, 435.1, D14/358
CPC .. H01R 13/6392; H01R 33/955; H01R 13/70; G06F 1/266
See application file for complete search history.

D613,248 S * 4/2010 Wu D13/110
D615,929 S * 5/2010 Maurer D13/110
D694,180 S * 11/2013 Inskeep D13/107
D723,476 S * 3/2015 Aromin D13/160
D738,312 S * 9/2015 Bress D13/147
D795,802 S * 8/2017 Inagaki D13/107
9,760,140 B1 * 9/2017 Krummey H01R 13/70
D817,888 S * 5/2018 Yu D13/139.1
D845,303 S * 4/2019 Laffon de Mazieres D14/433
D872,696 S * 1/2020 Yu D13/137.4
D933,610 S * 10/2021 Hunter-Jones D13/137.4
D937,781 S * 12/2021 Chen D13/137.2
D941,772 S * 1/2022 Mi D13/137.4
D944,741 S * 3/2022 Chen D13/137.2
D945,370 S * 3/2022 Chen D13/139.1
D969,362 S * 11/2022 Ge D13/168
2011/0074340 A1 * 3/2011 Kao H02J 7/0045
320/107

* cited by examiner

Primary Examiner — Bridget L Eland

(57) **CLAIM**

The ornamental design for a plug socket, as shown and described.

DESCRIPTION

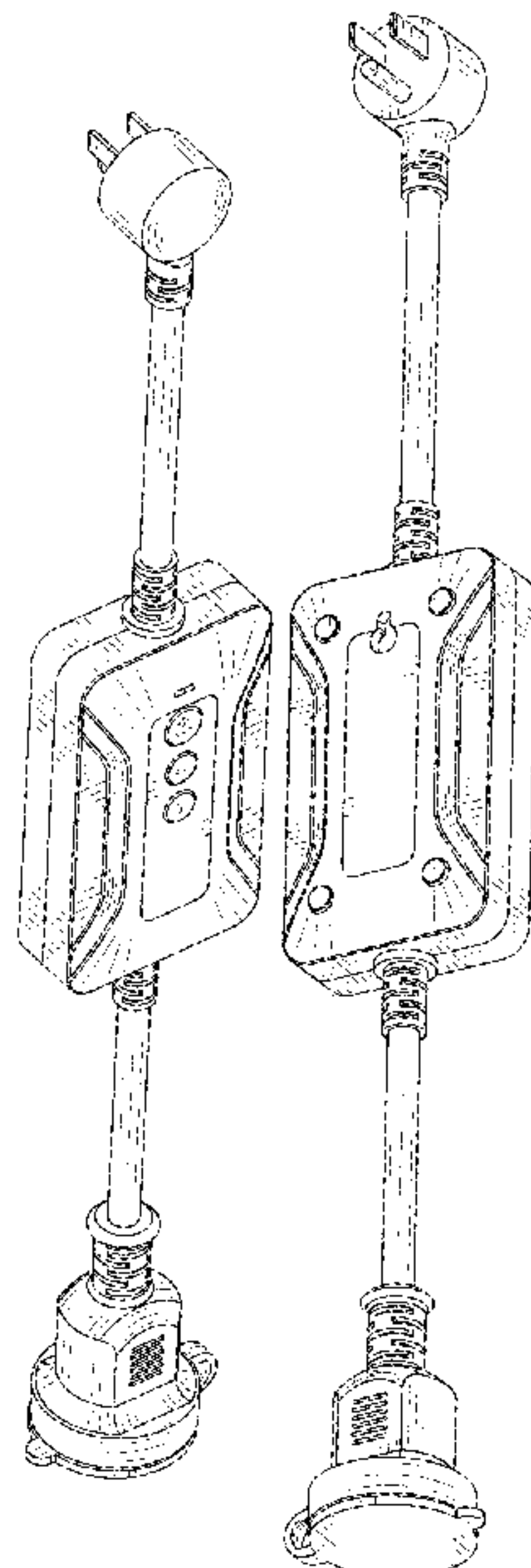
FIG. 1 is a perspective view of a plug socket showing our new design;
FIG. 2 is a front elevation view thereof;
FIG. 3 is a rear elevation view thereof;
FIG. 4 is a left side elevation view thereof;
FIG. 5 is a right side elevation view thereof;
FIG. 6 is an enlarged top plan view thereof;
FIG. 7 is an enlarged bottom plan view thereof; and
FIG. 8 is a rear, left, bottom side perspective view thereof.
The broken lines in the drawings depict portions of the plug socket that form no part of the claimed design.

1 Claim, 8 Drawing Sheets

(56) **References Cited**

U.S. PATENT DOCUMENTS

D307,579 S * 5/1990 Layne D13/137.3
D324,670 S * 3/1992 Ferraro D13/137.4
D367,261 S * 2/1996 Hansen D13/138.1
D379,086 S * 5/1997 Sipes D13/139.7
D416,543 S * 11/1999 Tsai D13/153
D416,869 S * 11/1999 Tsai D13/153
D519,937 S * 5/2006 Laurent D13/160
D575,228 S * 8/2008 So D13/110



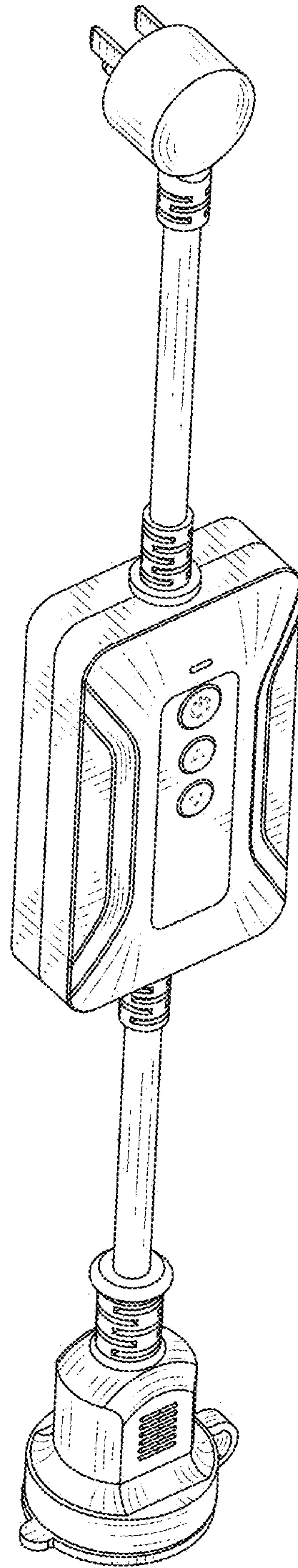


FIG. 1

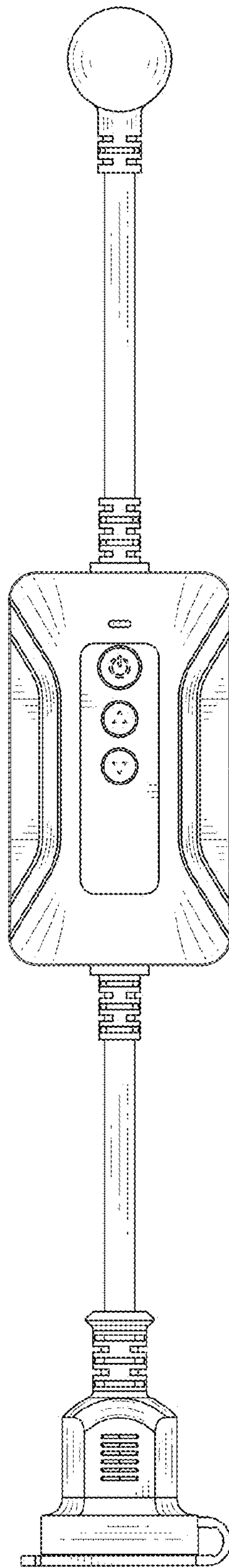


FIG. 2

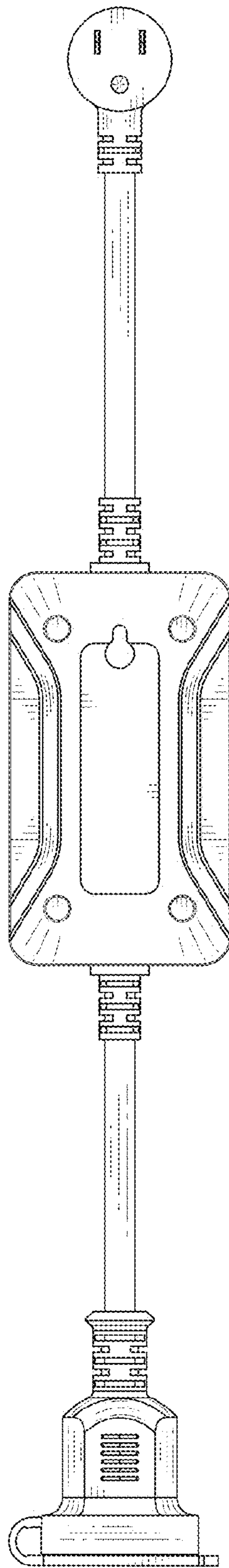


FIG. 3

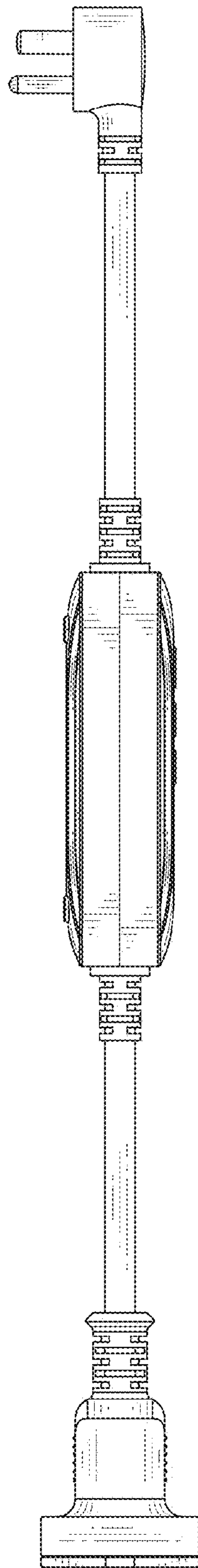


FIG. 4

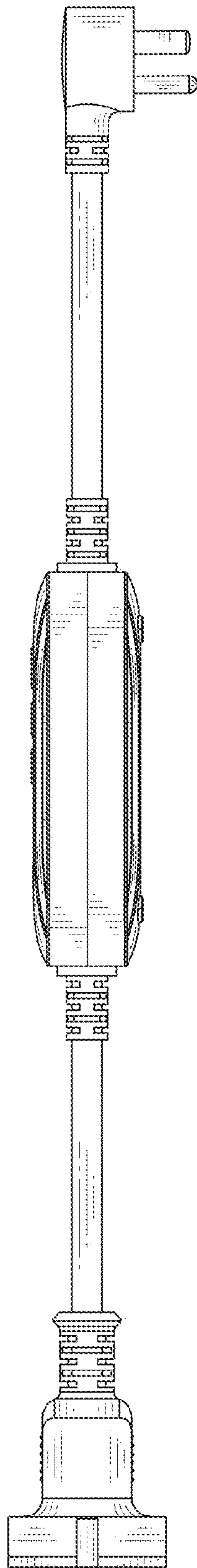


FIG. 5

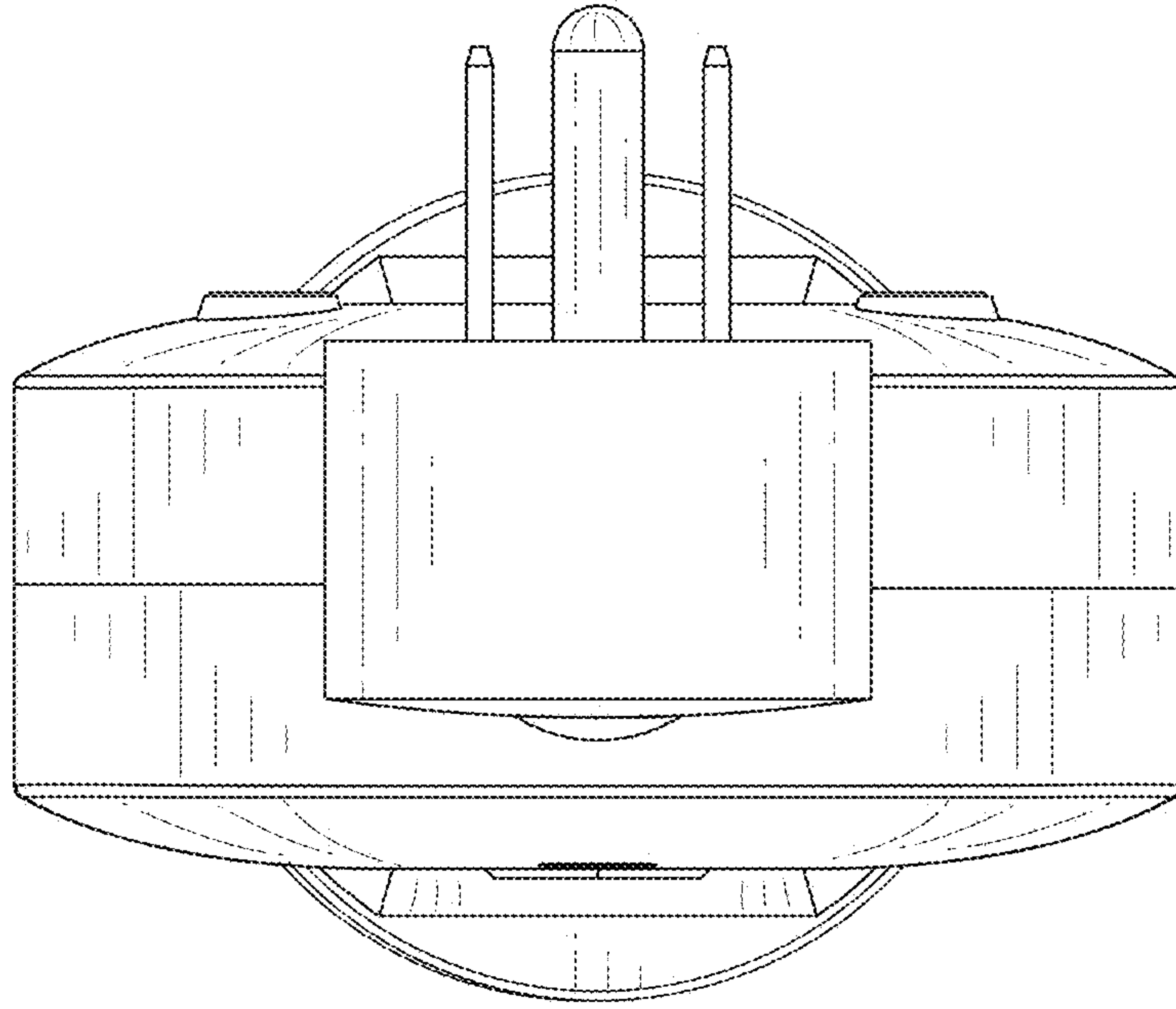


FIG. 6

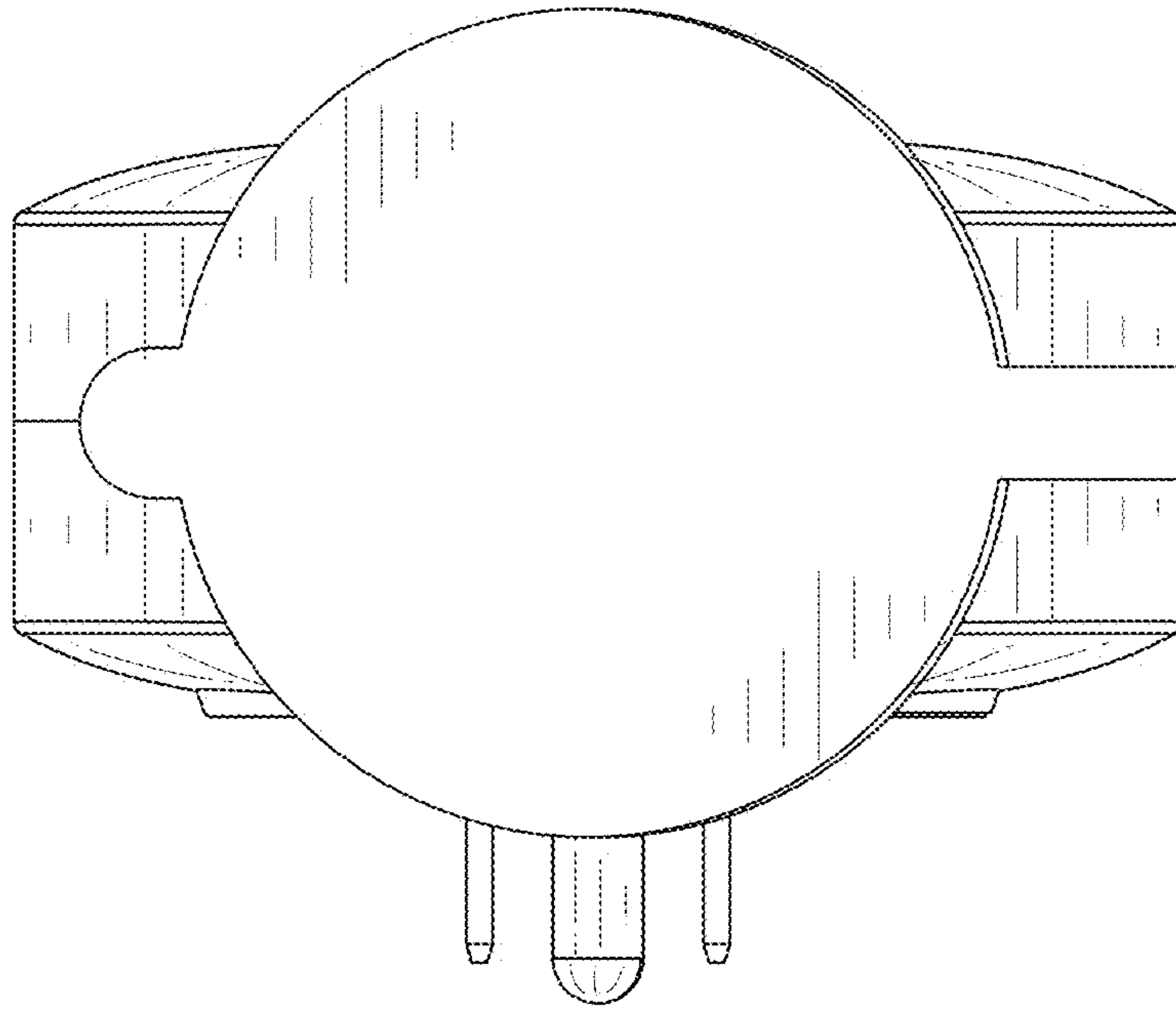


FIG. 7

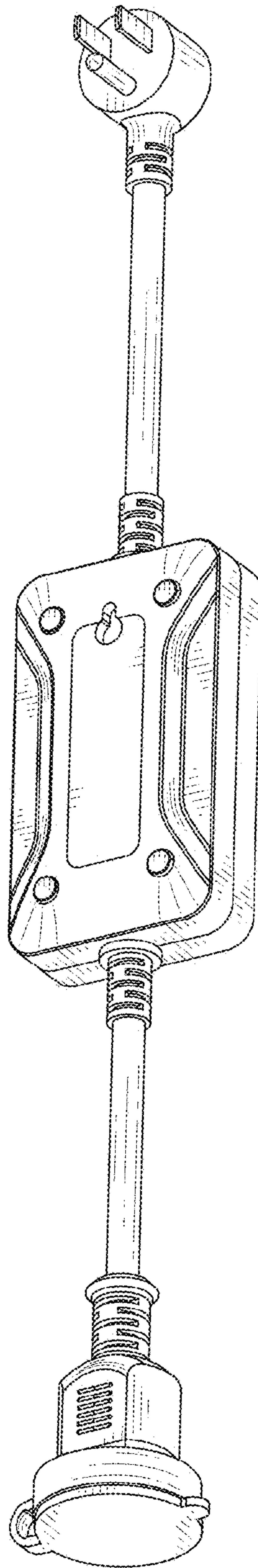


FIG. 8