



US00D982522S

(12) **United States Design Patent**  
**Yi**

(10) **Patent No.:** **US D982,522 S**

(45) **Date of Patent:** **\*\* Apr. 4, 2023**

(54) **TRAVEL PLUG**

(71) Applicant: **Shanbo Yi**, Guangdong (CN)

(72) Inventor: **Shanbo Yi**, Guangdong (CN)

(\*\*) Term: **15 Years**

(21) Appl. No.: **29/850,328**

(22) Filed: **Aug. 18, 2022**

(30) **Foreign Application Priority Data**

Aug. 9, 2022 (CN) ..... 202230515601.1

(51) **LOC (14) Cl.** ..... **13-03**

(52) **U.S. Cl.**  
USPC ..... **D13/137.2**

(58) **Field of Classification Search**  
USPC ..... D13/137.1-137.4, 138.2, 138.1, 139.7,  
D13/139.8  
CPC ..... H01R 33/94; H01R 31/06; H02J 7/0042  
See application file for complete search history.

(56) **References Cited**

**U.S. PATENT DOCUMENTS**

D650,330 S	12/2011	Dong	
D848,948 S	* 5/2019	Wei	D13/137.2
D851,597 S	* 6/2019	Ding	D13/137.2
D861,613 S	* 10/2019	Dai	D13/137.2
D867,996 S	* 11/2019	Chen	D13/137.2
D869,398 S	* 12/2019	Wang	D13/137.3
D903,601 S	* 12/2020	Tseng	D13/137.2
D911,969 S	* 3/2021	Canizares	D13/137.2
D923,576 S	* 6/2021	Lyu	D13/137.2

D924,805 S	* 7/2021	Luo	D13/137.2
D932,442 S	* 10/2021	Rajasekaran	D13/137.2
D934,177 S	* 10/2021	Canizares	D13/137.2
D939,445 S	* 12/2021	Hsu	D13/137.1
D953,269 S	5/2022	Yuan	
D955,339 S	* 6/2022	Mei	D13/137.2
D966,194 S	* 10/2022	Loor Canizares	D13/137.2
D968,333 S	* 11/2022	Pan	D13/137.3

\* cited by examiner

*Primary Examiner* — Rhea Shields

(74) *Attorney, Agent, or Firm* — Che-Yang Chen; Law Office of Michael Chen

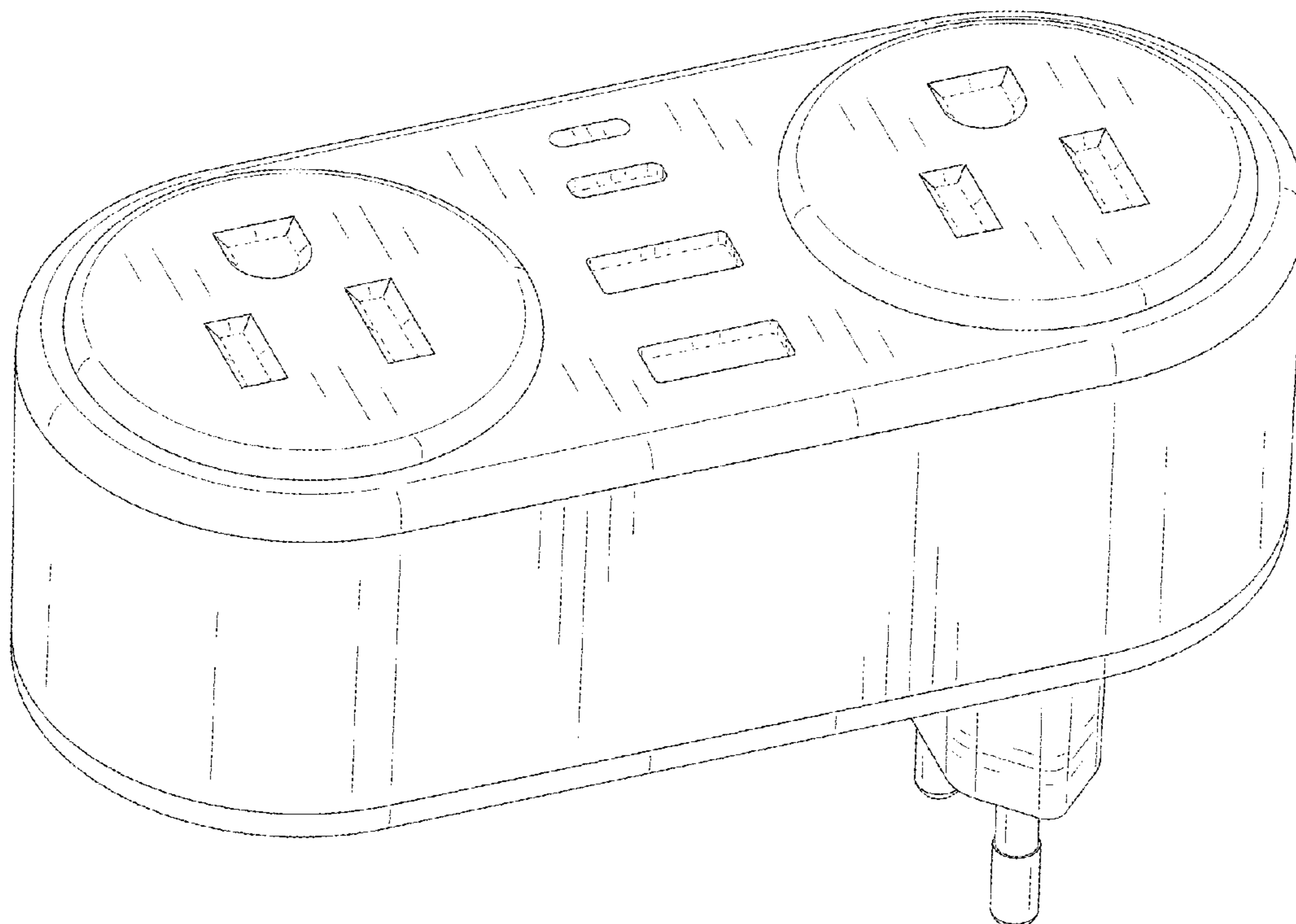
(57) **CLAIM**

The ornamental design for a travel plug, as shown and described.

**DESCRIPTION**

FIG. 1 is a perspective view of the travel plug showing my new design;  
 FIG. 2 is a perspective view thereof from another angle;  
 FIG. 3 is a front elevational view thereof;  
 FIG. 4 is a rear elevational view thereof;  
 FIG. 5 is a left side elevational view thereof;  
 FIG. 6 is a right side elevational view thereof;  
 FIG. 7 is a top plan view thereof; and,  
 FIG. 8 is a bottom plan view thereof.  
 The broken lines shown in the drawings represent portions of the travel plug that form no part of the claimed design.

**1 Claim, 8 Drawing Sheets**



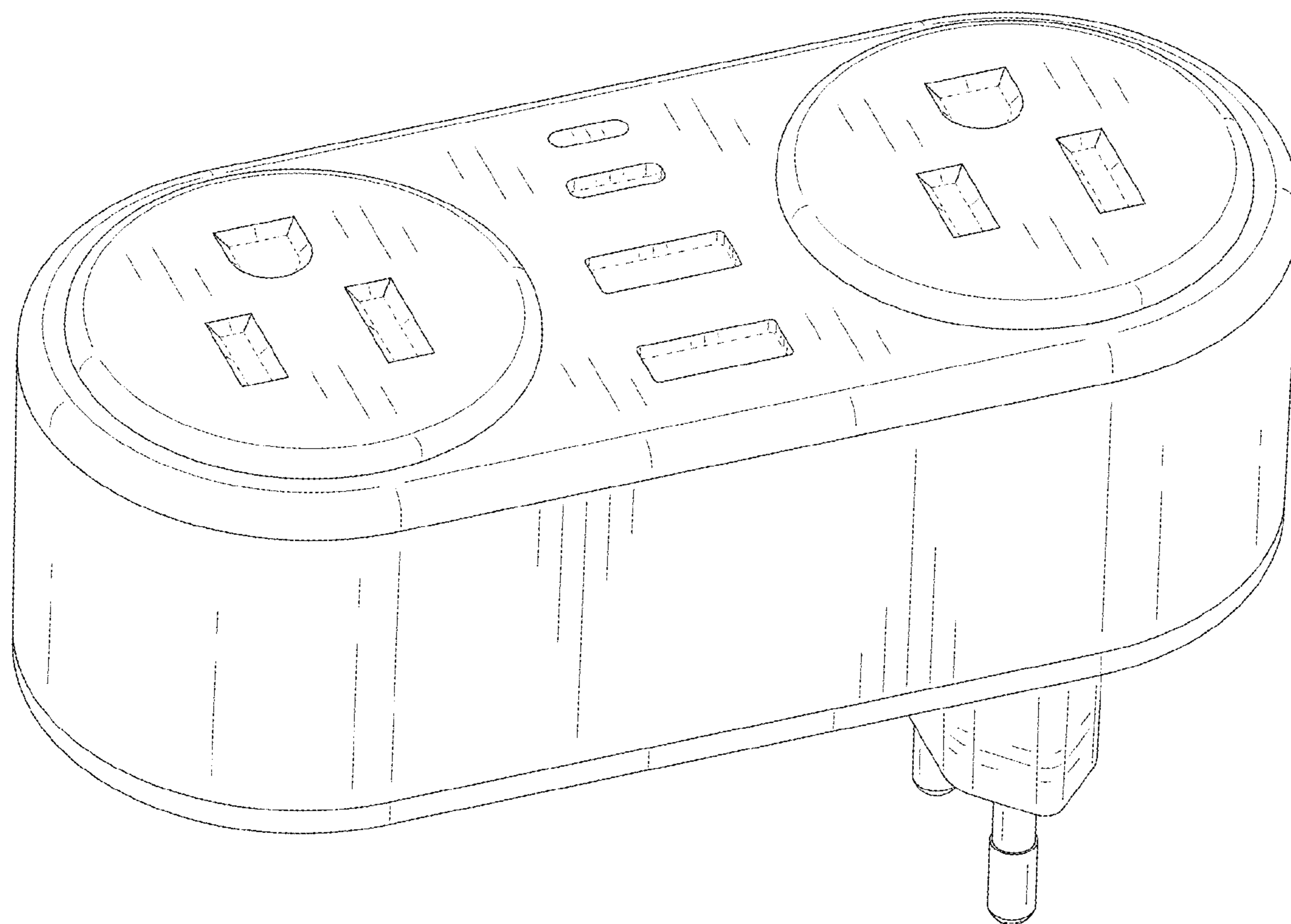


FIG. 1

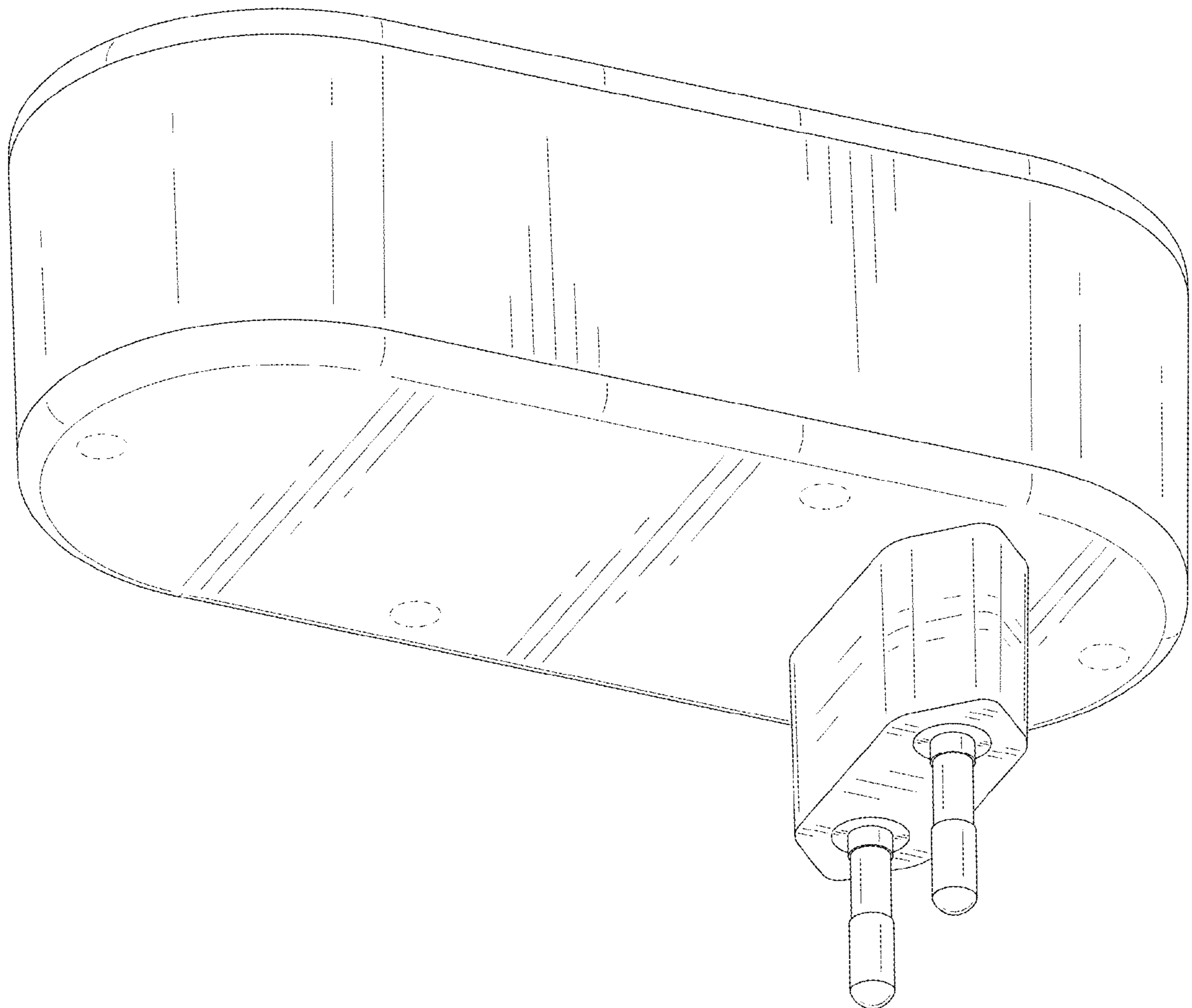


FIG. 2

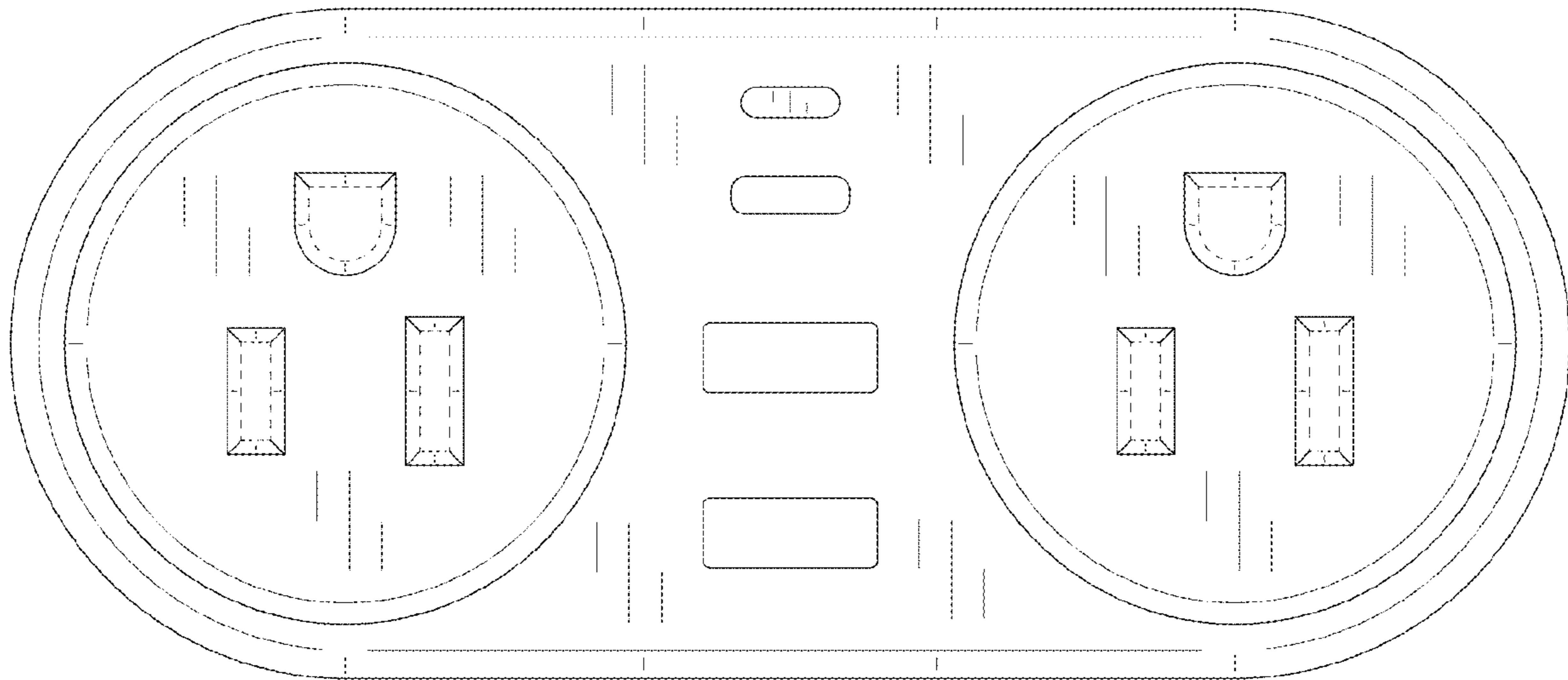


FIG. 3

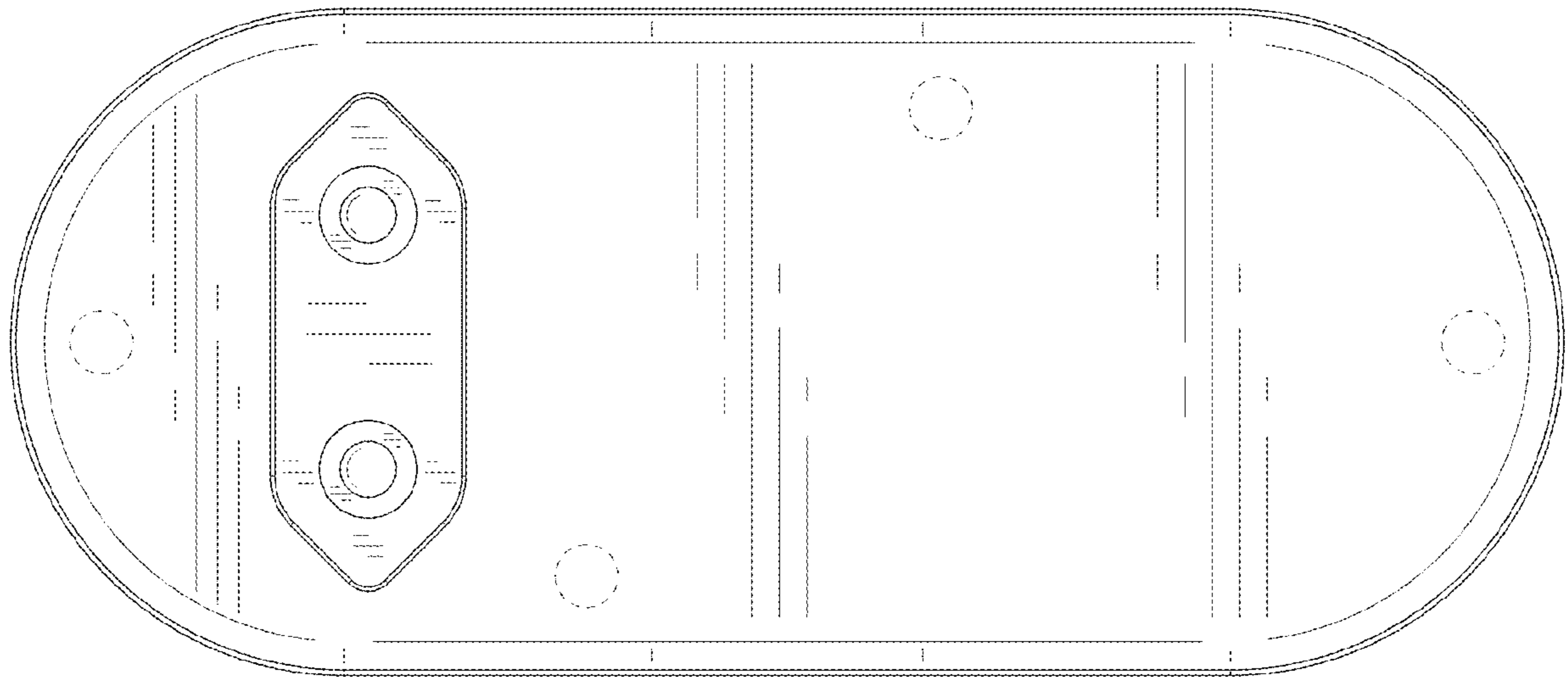


FIG. 4

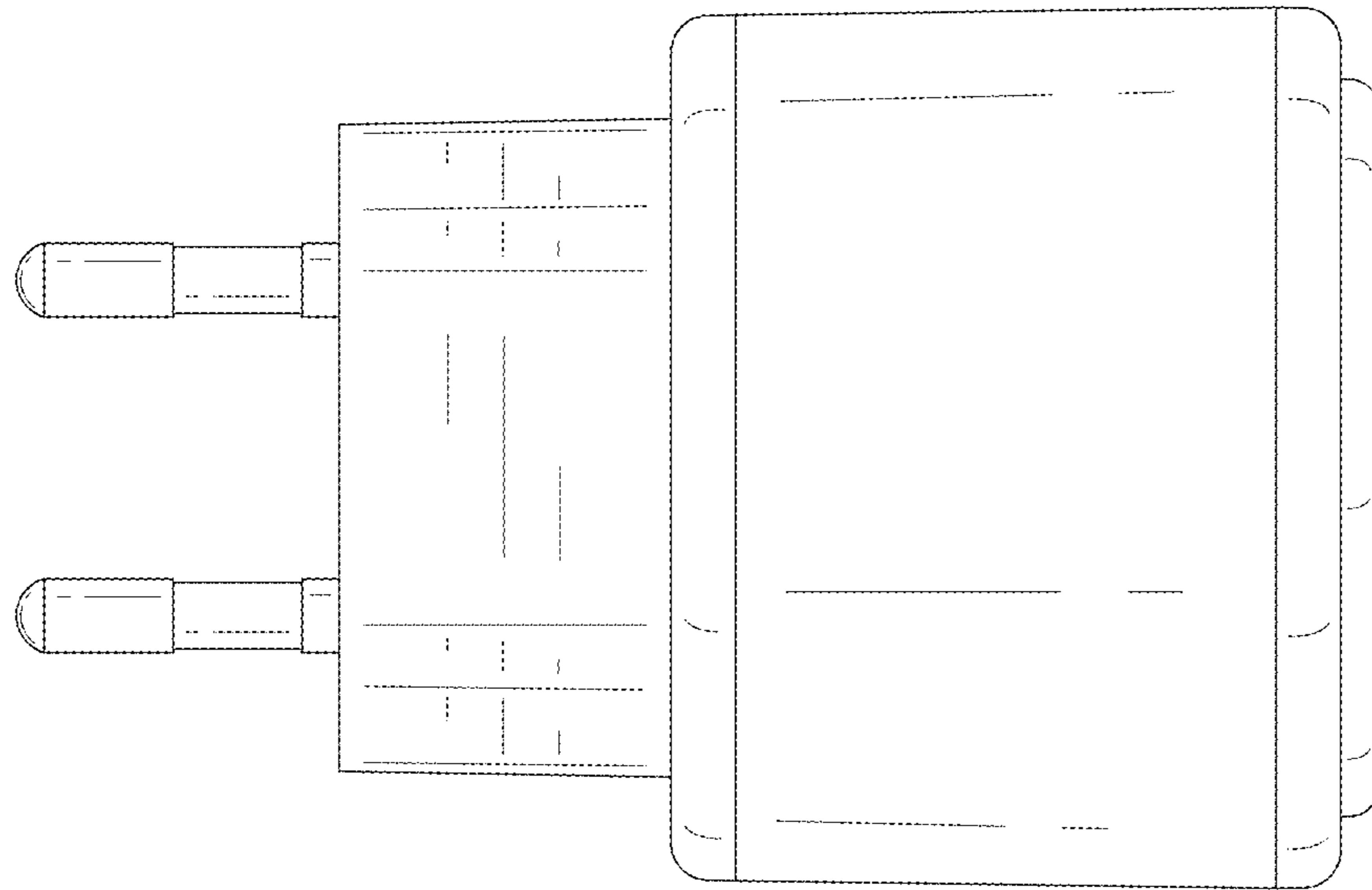


FIG. 5



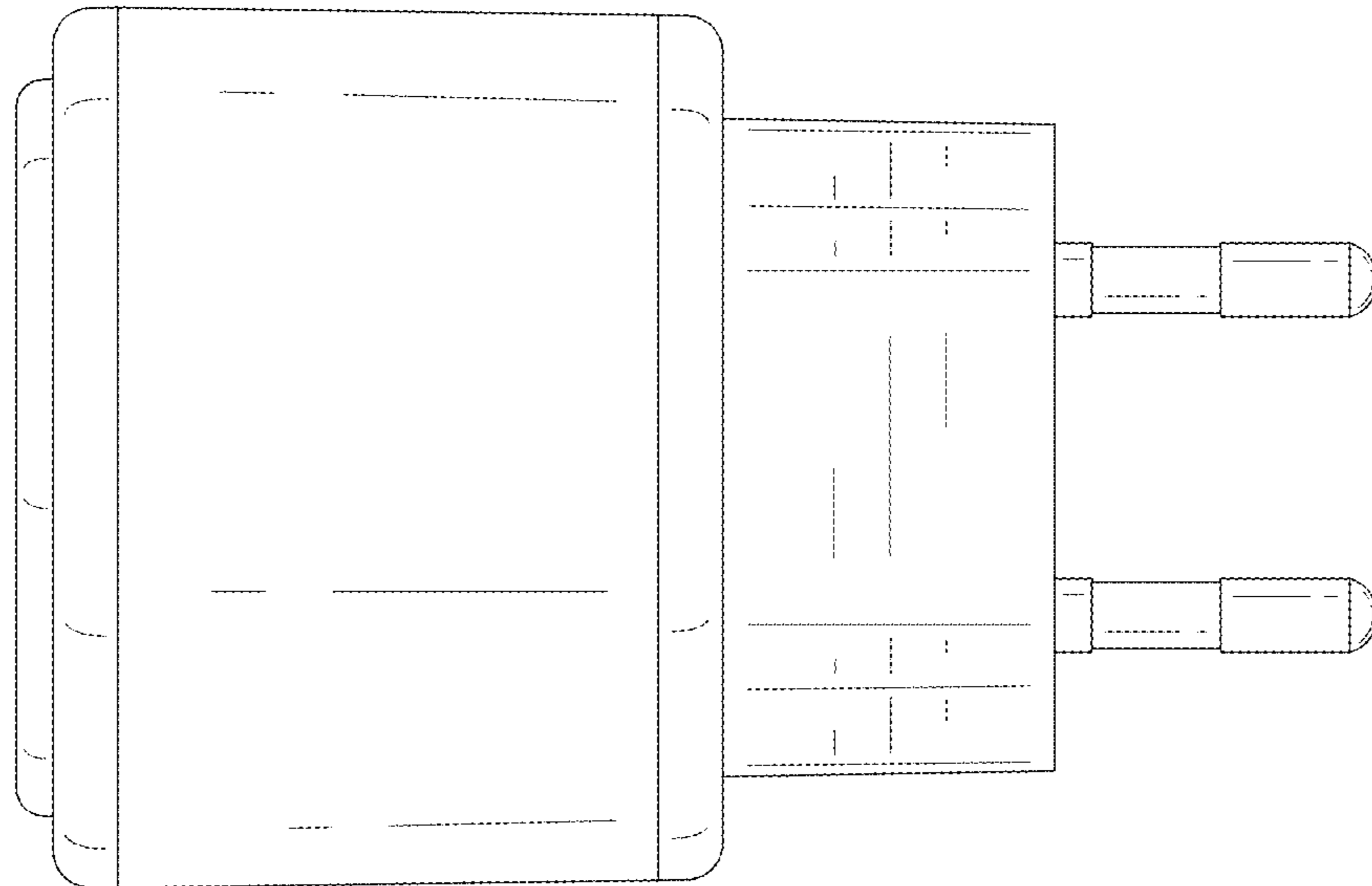


FIG. 6

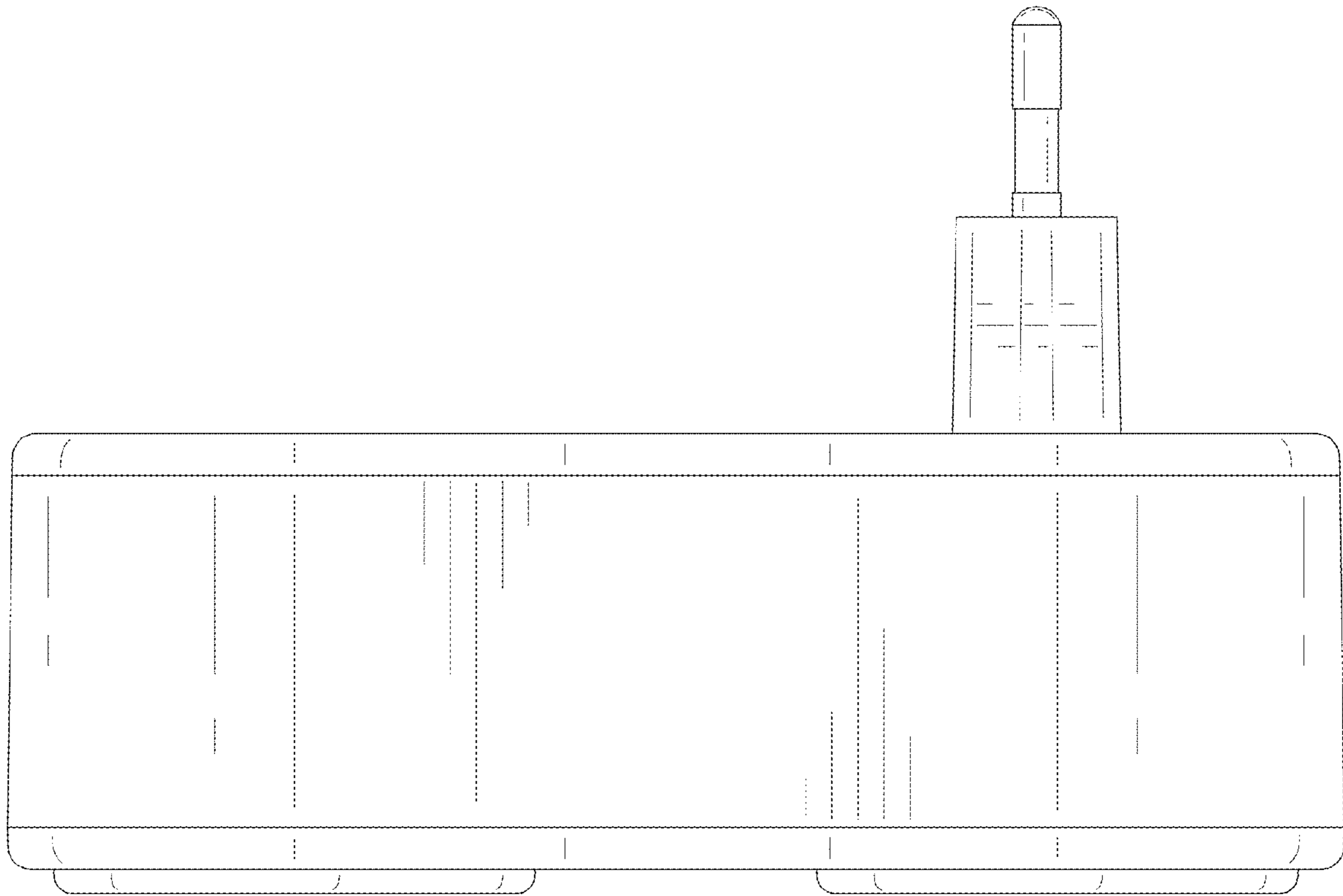


FIG. 7



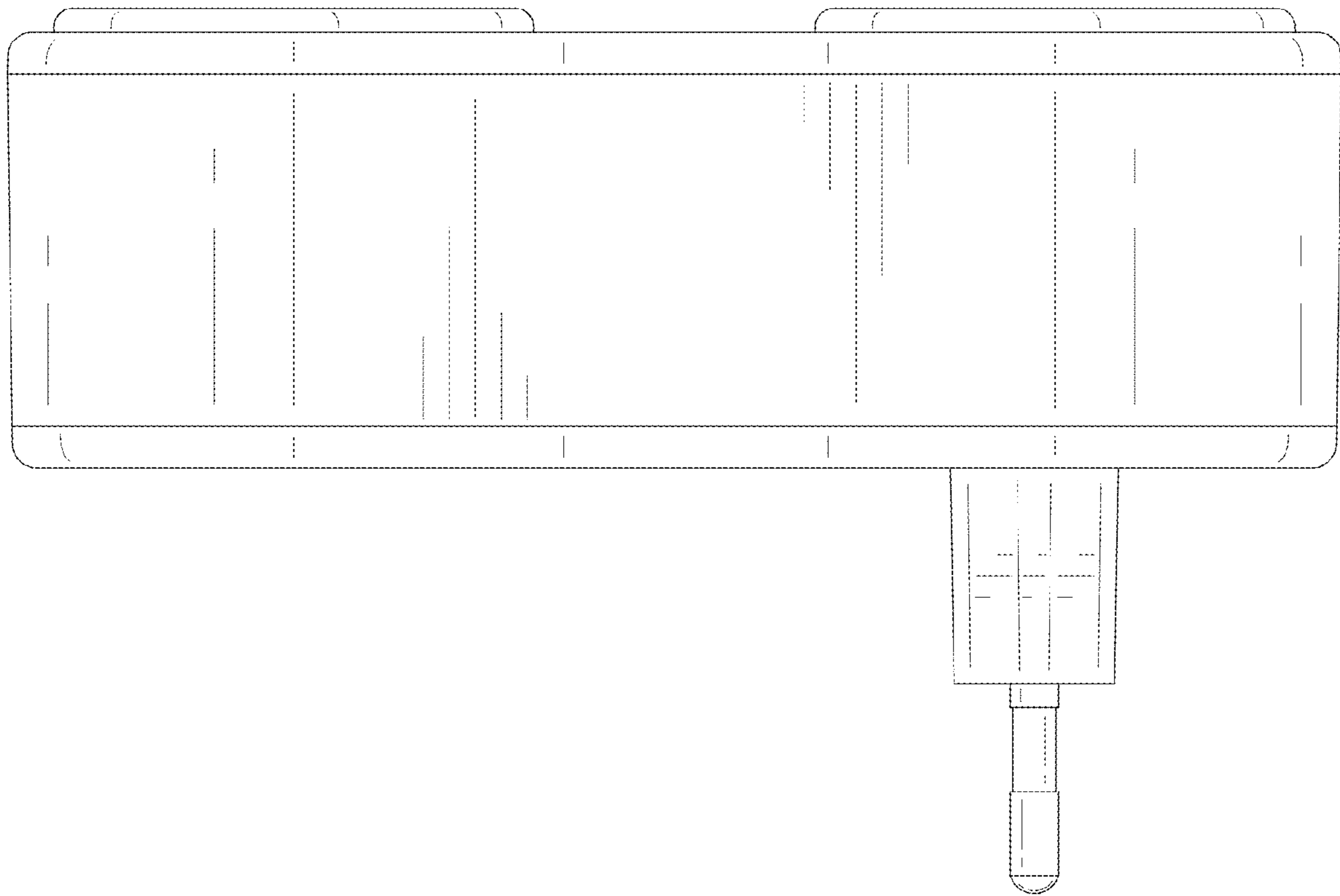


FIG. 8