



US00D982520S

(12) **United States Design Patent**  
**Bai**

(10) **Patent No.:** **US D982,520 S**

(45) **Date of Patent:** **\*\* Apr. 4, 2023**

(54) **PLUG**

(71) Applicant: **Liming Bai**, Guangdong (CN)

(72) Inventor: **Liming Bai**, Guangdong (CN)

(\*\*) Term: **15 Years**

(21) Appl. No.: **29/808,329**

(22) Filed: **Sep. 17, 2021**

(51) **LOC (14) Cl.** ..... **13-03**

(52) **U.S. Cl.**  
USPC ..... **D13/137.1**

(58) **Field of Classification Search**  
USPC ... D13/137.1–137.4, 138.2, 138.1, 110, 108,  
D13/107, 144, 103  
CPC ..... H01R 33/94; H01R 31/06; H02J 7/0042  
See application file for complete search history.

(56) **References Cited**

**U.S. PATENT DOCUMENTS**

D350,113 S *	8/1994	Nagele	.....	D13/110
5,611,701 A *	3/1997	Hahn	.....	H02J 7/0042
				439/131
5,613,863 A *	3/1997	Klaus	.....	H01R 31/06
				D13/110
D638,355 S *	5/2011	Chen	.....	D13/110
D638,357 S *	5/2011	Sasada	.....	D13/110
D687,375 S *	8/2013	Franco	.....	D13/108
D731,419 S *	6/2015	Kao	.....	D13/110
D732,472 S *	6/2015	Laffon	.....	D13/110
D762,173 S *	7/2016	Solomon	.....	D13/110
D791,697 S *	7/2017	Precheur	.....	D13/107
D791,700 S *	7/2017	Loewen	.....	D13/108
D796,432 S *	9/2017	Liu	.....	D13/107
D803,150 S *	11/2017	Florez, Jr.	.....	D13/107
D819,566 S *	6/2018	Hung	.....	D13/110
D820,207 S *	6/2018	Lemelson	.....	D13/110
D826,853 S *	8/2018	Nauroy	.....	D13/108
D827,567 S *	9/2018	Nauroy	.....	D13/108
D842,804 S *	3/2019	Tong	.....	D13/108
D852,132 S *	6/2019	Nauroy	.....	D13/108
10,355,501 B2 *	7/2019	Warren	.....	H01R 33/94
D886,050 S *	6/2020	Zhang	.....	D13/103

D913,948 S *	3/2021	Miller	.....	D13/144
D946,520 S *	3/2022	Spinella	.....	D13/110
2011/0210699 A1 *	9/2011	Wu	.....	H02J 7/0042
				320/111

**OTHER PUBLICATIONS**

“Sonceds Wall . . .” reference found by RMS on Nov. 19, 2022 on the internet at: [https://www.walmart.com/ip/Sonceds-Wall-Adapter-Swivel-Head-Charger-3-in-1-Outlet-Power-Charger-Wall-Power-Outlet-Expander-US-Plug-White/294930707?wmlspartner=wlp&selectedSellerId=16214&&adid=2222222227294930707\\_16214\\_143883089478\\_18463884403&w10=&w11=g&w12=c&w13=631529381010&w14=aud-393207457166:pla-18759579049.\\*](https://www.walmart.com/ip/Sonceds-Wall-Adapter-Swivel-Head-Charger-3-in-1-Outlet-Power-Charger-Wall-Power-Outlet-Expander-US-Plug-White/294930707?wmlspartner=wlp&selectedSellerId=16214&&adid=2222222227294930707_16214_143883089478_18463884403&w10=&w11=g&w12=c&w13=631529381010&w14=aud-393207457166:pla-18759579049.*)

\* cited by examiner

*Primary Examiner* — Rhea Shields

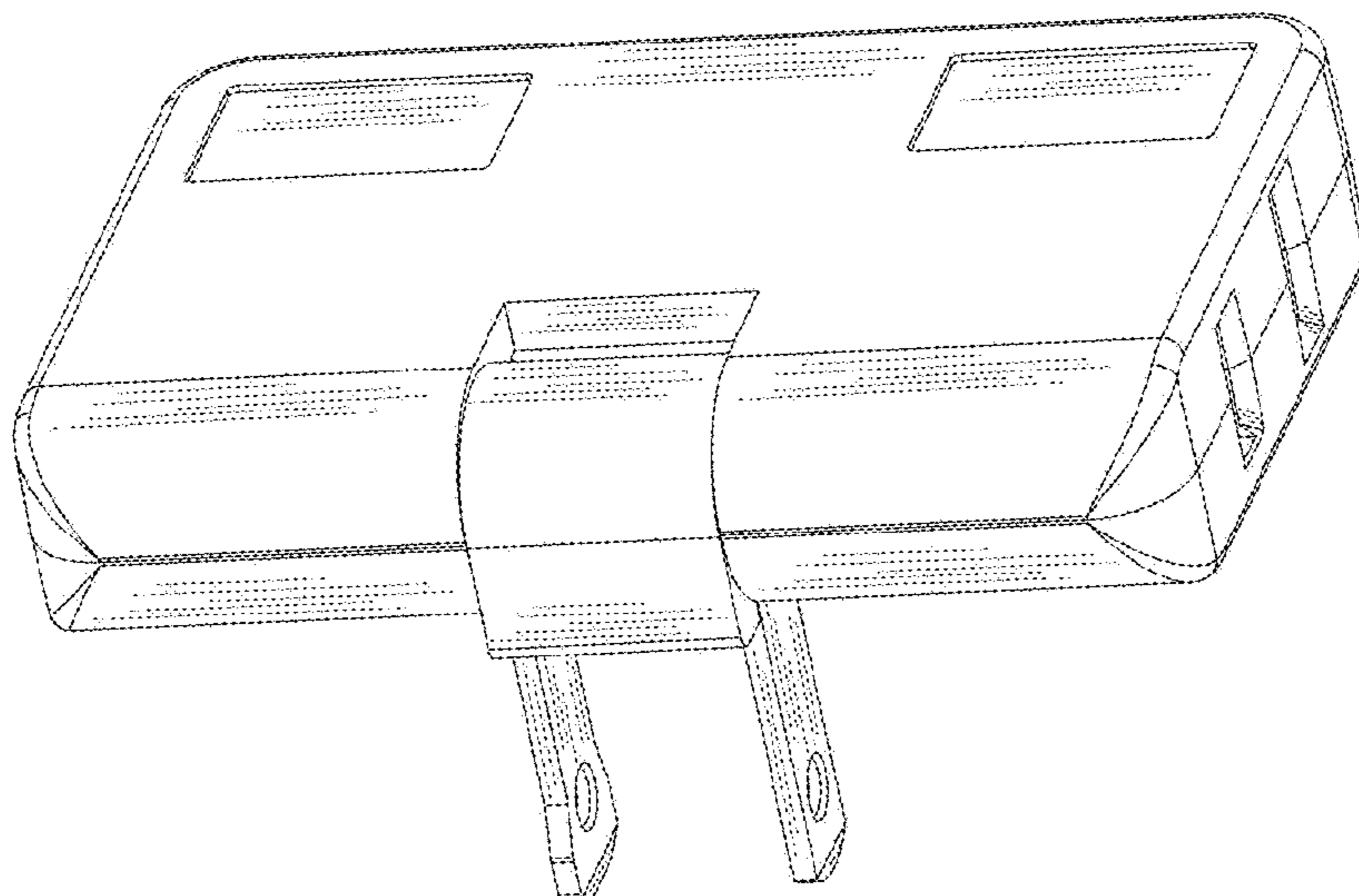
(57) **CLAIM**

The ornamental design for a plug, as shown and described.

**DESCRIPTION**

FIG. 1 is a rear perspective view of a plug design showing my new design.  
FIG. 2 is a front perspective view of a plug.  
FIG. 3 is a front view of a plug.  
FIG. 4 is a rear view of a plug.  
FIG. 5 is a left side view of a plug.  
FIG. 6 is a right side view of a plug.  
FIG. 7 is a top view of a plug; and,  
FIG. 8 is a bottom view of a plug.  
Any shading and cross-hatching are not features of the design but are utilized to illustrate the surface contours of the plug design in the drawings.  
In the drawings, the broken lines are for the purpose of illustrating portions of the plug and form no part of the claimed design.

**1 Claim, 8 Drawing Sheets**



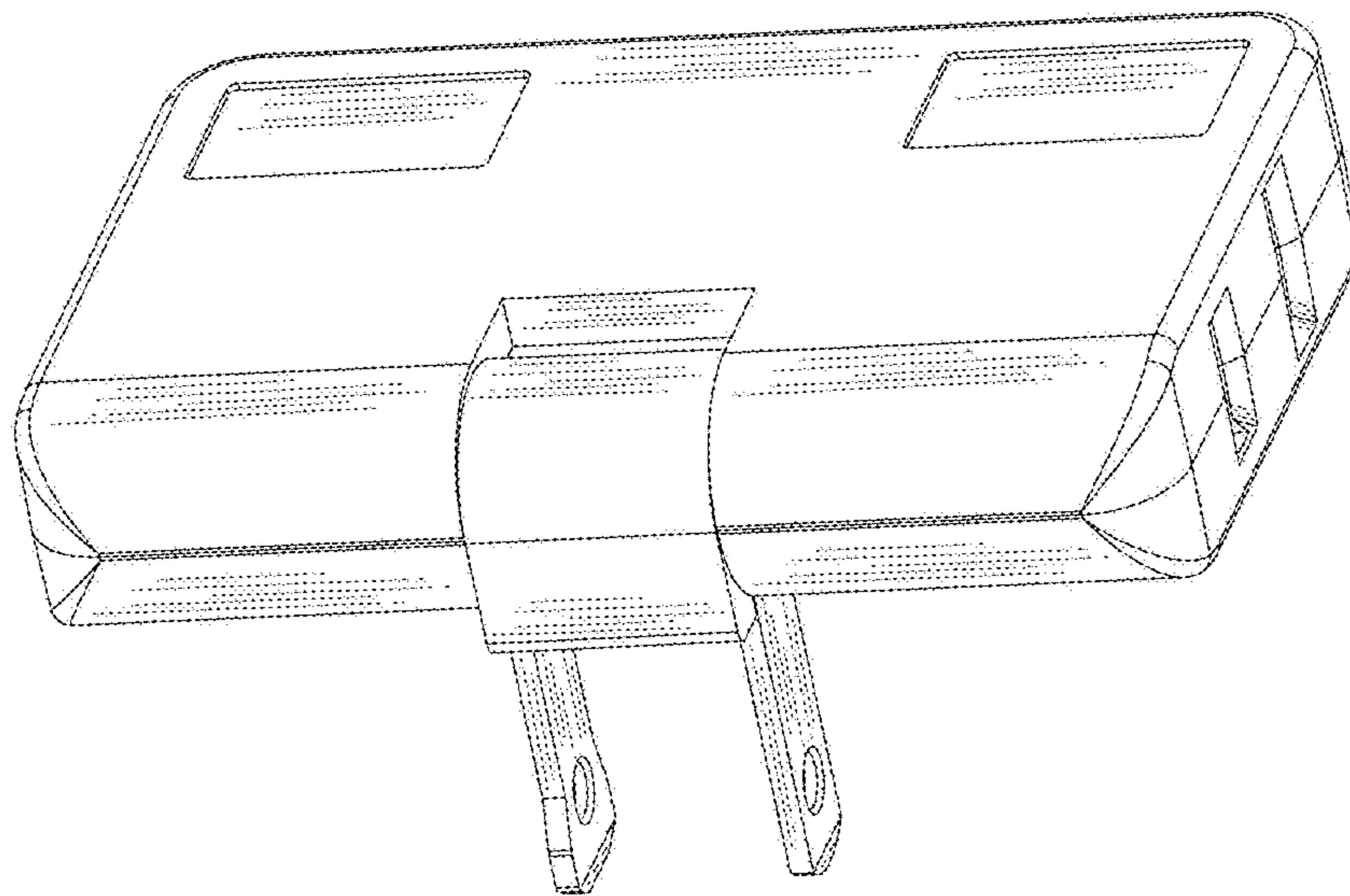


FIG. 1

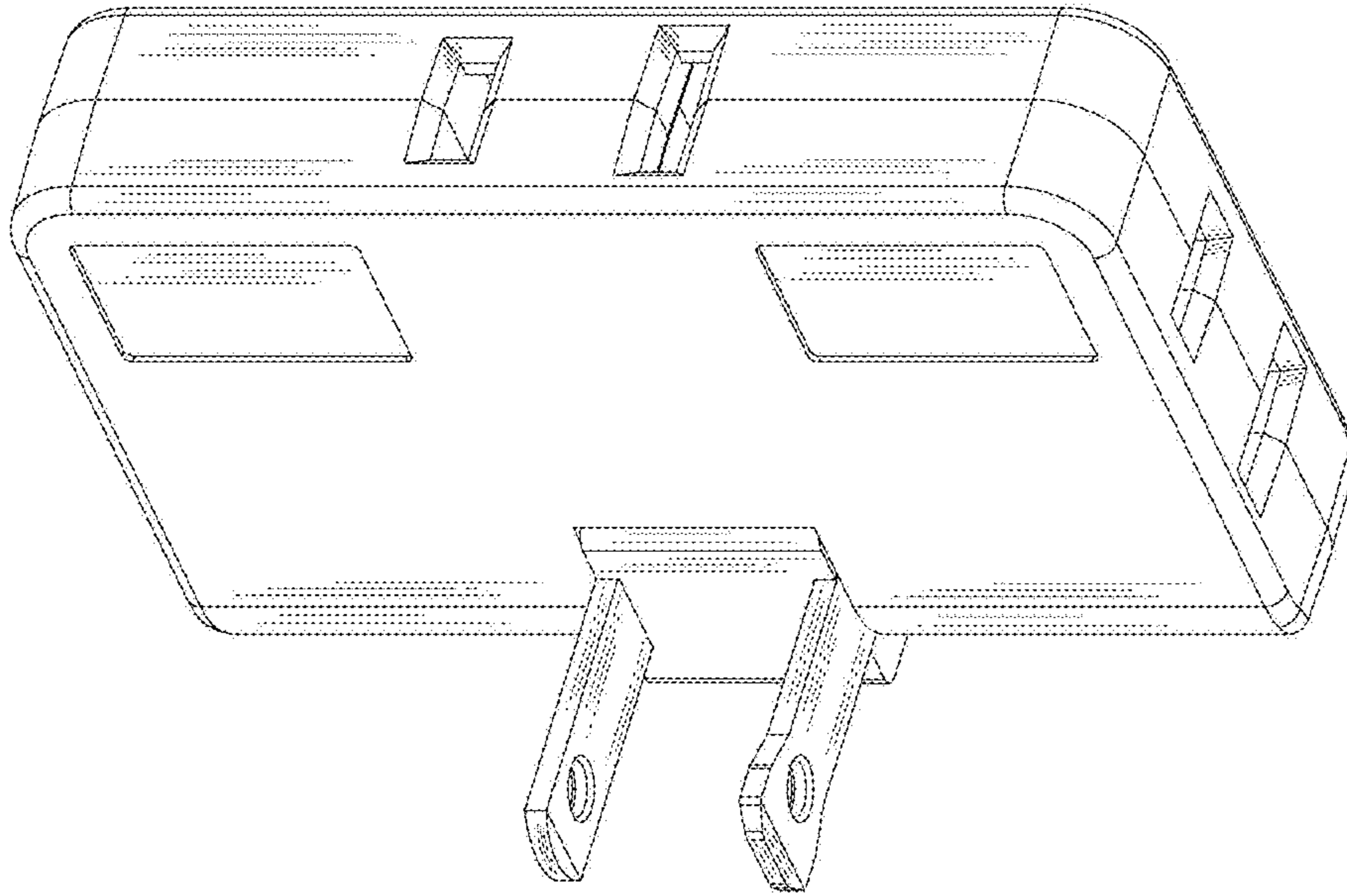


FIG. 2

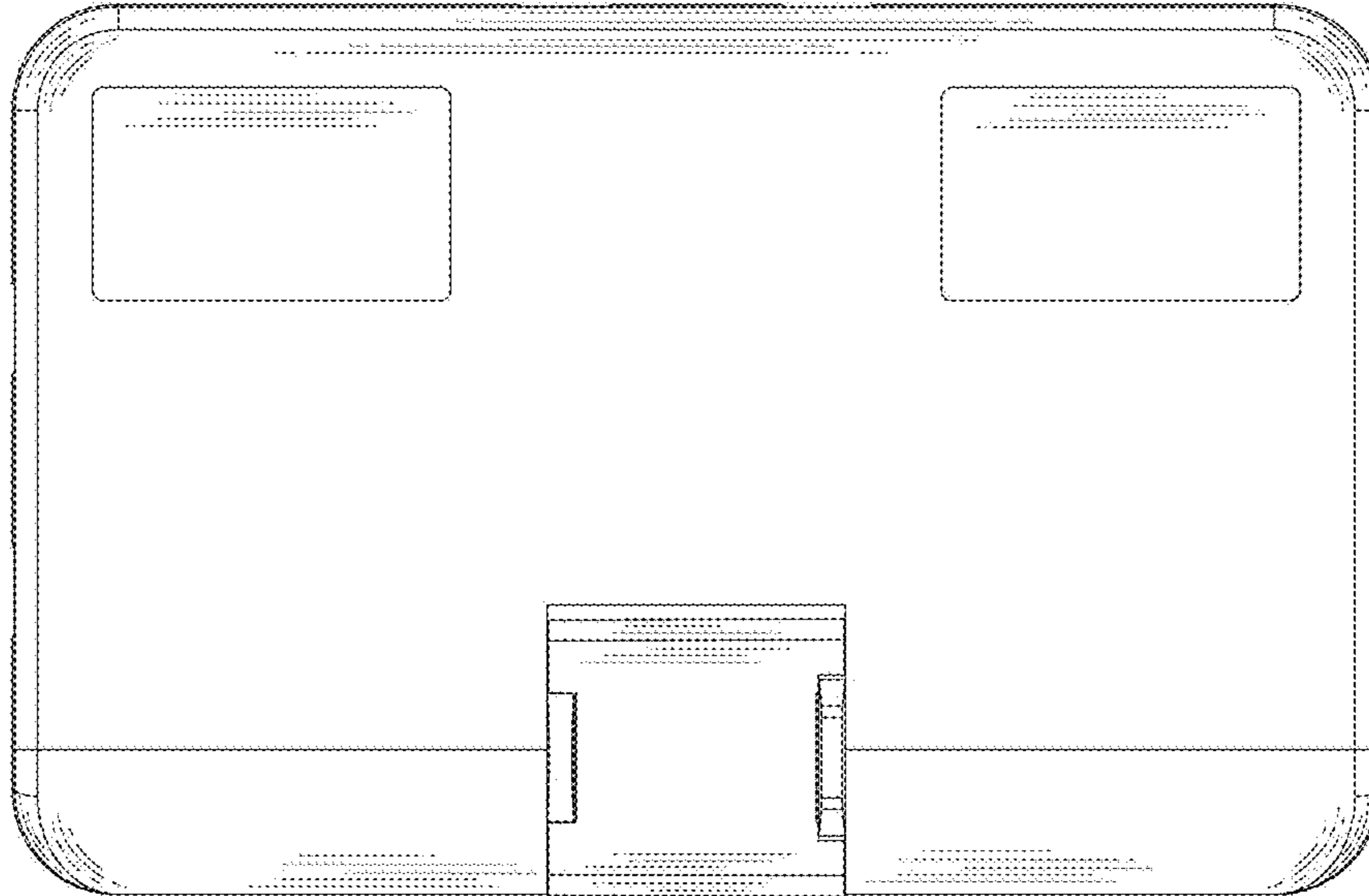


FIG. 3

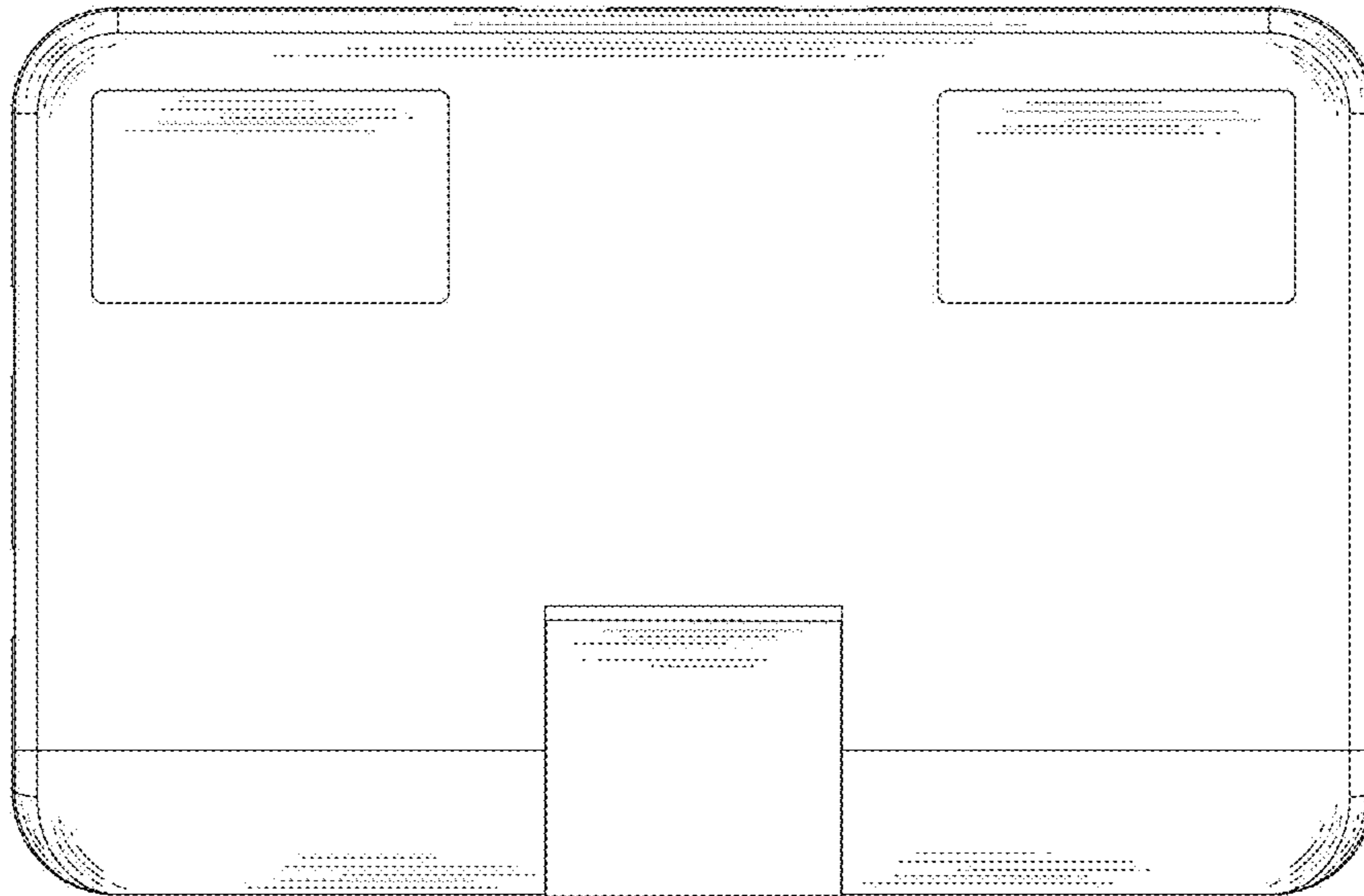


FIG. 4

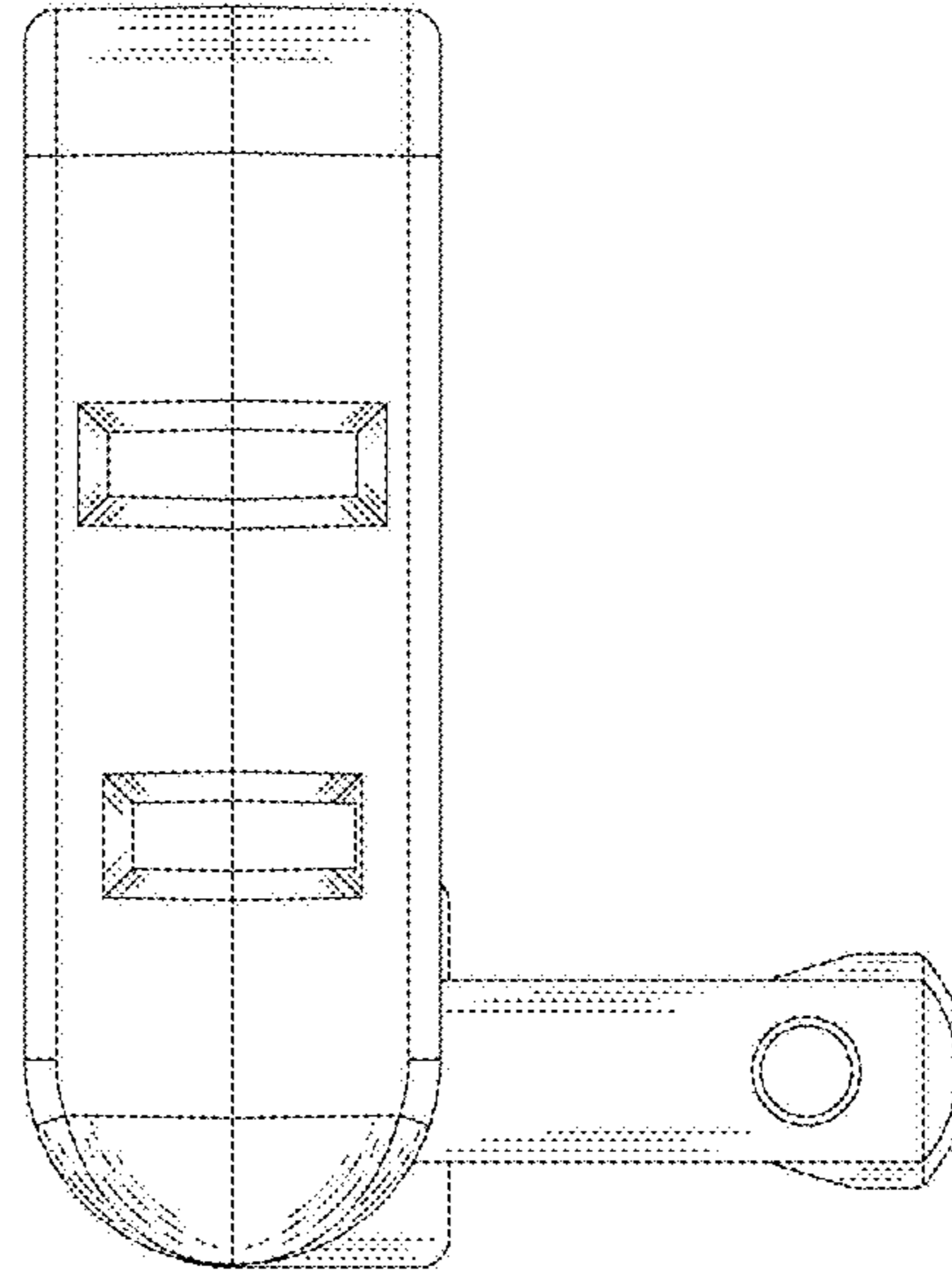


FIG. 5

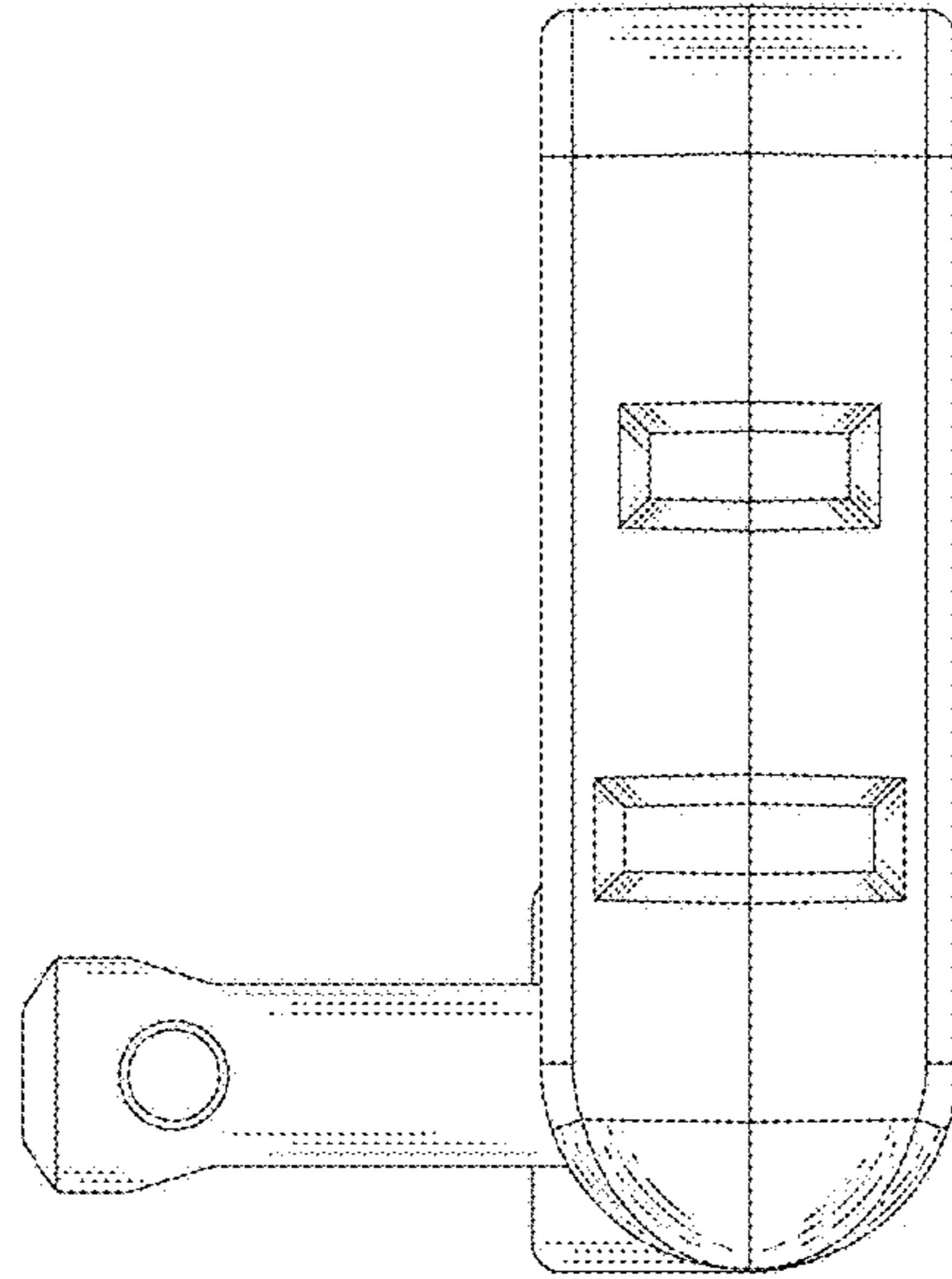


FIG. 6

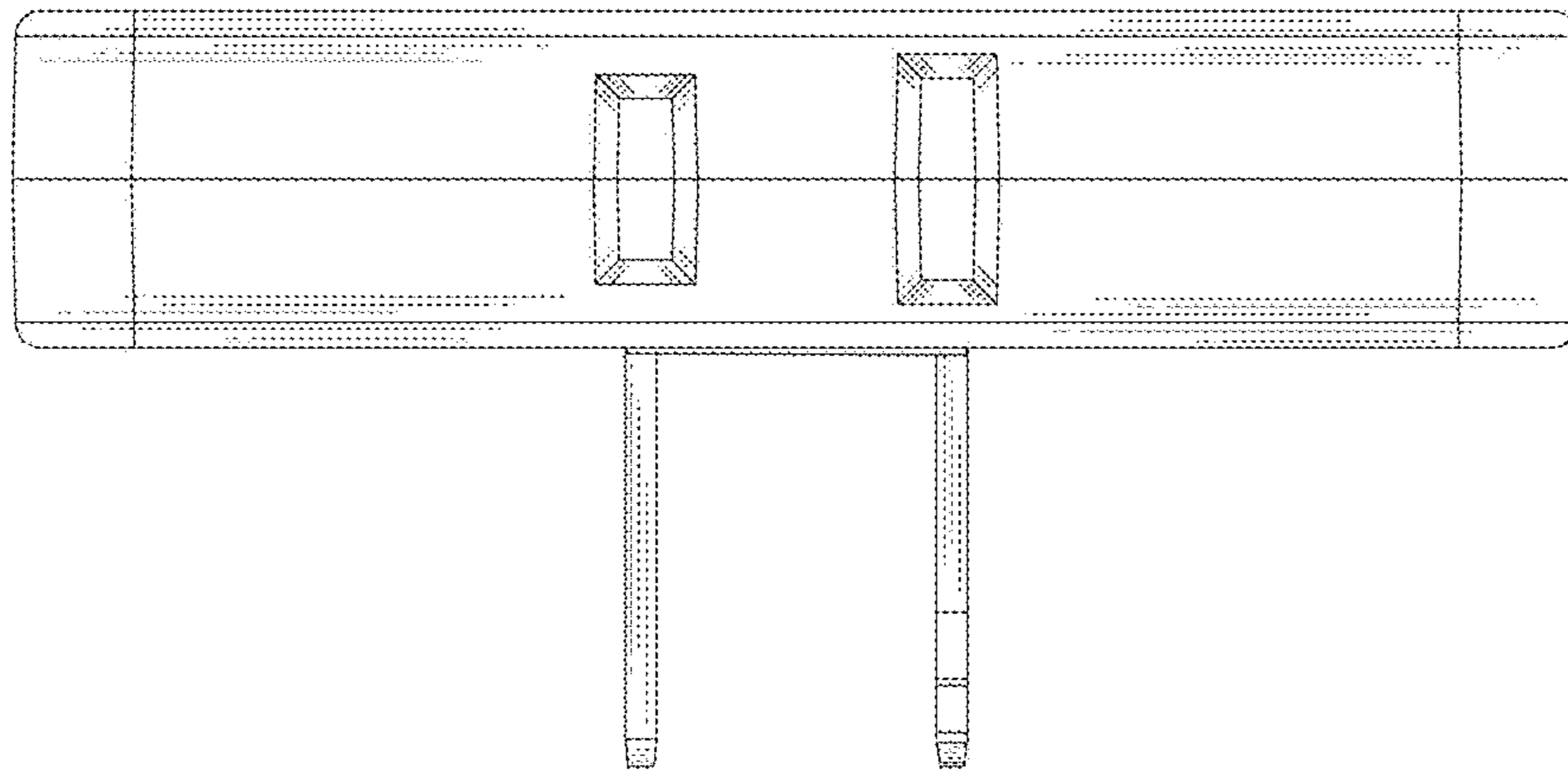


FIG. 7



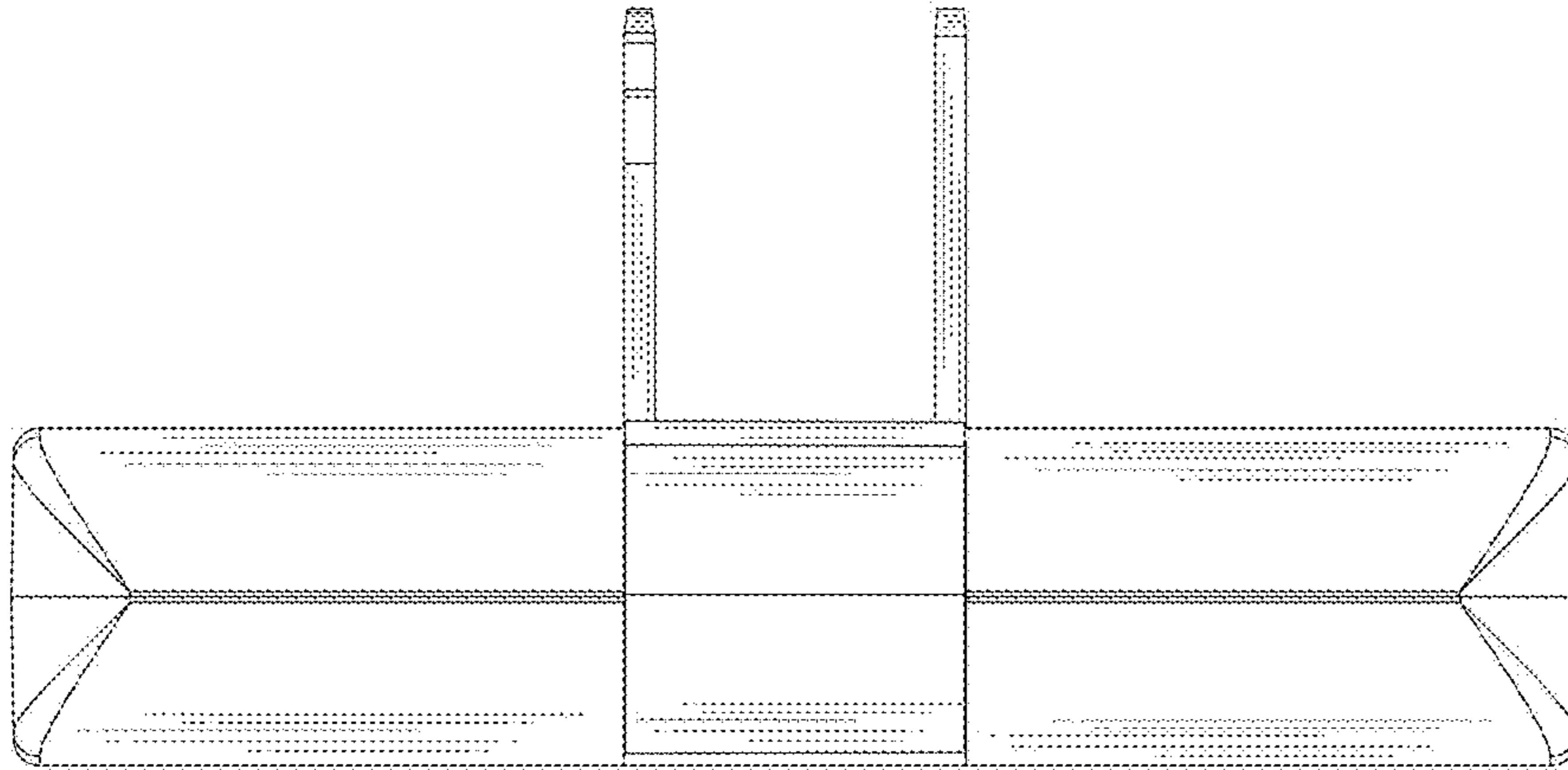


FIG. 8