



US00D982519S

(12) **United States Design Patent**
Gaidosch

(10) **Patent No.:** **US D982,519 S**

(45) **Date of Patent:** **** Apr. 4, 2023**

(54) **ELECTRICAL CONNECTOR**

(71) Applicant: **Belden Deutschland GmbH**,
Schalksmühle (DE)

(72) Inventor: **Othmar Gaidosch**, Ostfildern (DE)

(73) Assignee: **BELDEN DEUTSCHLAND GMBH**,
Schalksmühle (DE)

(**) Term: **15 Years**

(21) Appl. No.: **35/512,682**

(22) Filed: **Jul. 19, 2021**

(80) **Hague Agreement Data**

Int. Filing Date: **Jul. 19, 2021**

Int. Reg. No.: **DM/216502**

Int. Reg. Date: **Jul. 19, 2021**

Int. Reg. Pub. Date: **Oct. 8, 2021**

(30) **Foreign Application Priority Data**

Jan. 29, 2021 (DE) 402021100072.0

(51) **LOC (14) Cl.** **13-03**

(52) **U.S. Cl.**
USPC **D13/133; D13/149; D13/151; D13/154**

(58) **Field of Classification Search**
USPC D8/395; D13/103, 108, 119, 133-134,
D13/138.1, 146-147, 149, 151, 154-156;
D23/262; D24/129, 155
CPC H01R 13/62; H01R 13/465; H01R 13/621;
H01R 13/622; H01R 13/6592; H01R
24/40; H01R 9/031

See application file for complete search history.

(56) **References Cited**

U.S. PATENT DOCUMENTS

3,663,926 A * 5/1972 Brandt H01R 13/621
439/321
D239,175 S * 3/1976 Mouttet D13/133
4,506,943 A * 3/1985 Drogo H01R 13/62
439/314
D460,739 S * 7/2002 Fox D13/154

(Continued)

FOREIGN PATENT DOCUMENTS

DE 102007037749 B3 * 1/2009 H01R 13/465
DE 102009049132 A1 * 5/2010 H01R 13/6592

(Continued)

OTHER PUBLICATIONS

Elecbee, dated May 23, 2019, [online], [site visited Sep. 26, 2022].
Available from internet, URL: <https://www.amazon.com/Cable-Assembly-Straight-Screm-Unshielded/dp/B07S9KT2NP> (Year: 2019).*

Primary Examiner — Shawn T Gingrich

Assistant Examiner — Bryan N. Melvin

(74) *Attorney, Agent, or Firm* — Lucas & Mercanti, LLP;
Klaus P. Stoffel

(57) **CLAIM**

The ornamental design for an electrical connector, as shown and described.

DESCRIPTION

1. Electrical connector

1.1 : Perspective

1.2 : Left

1.3 : Right

1.4 : Perspective

1.5 : Perspective

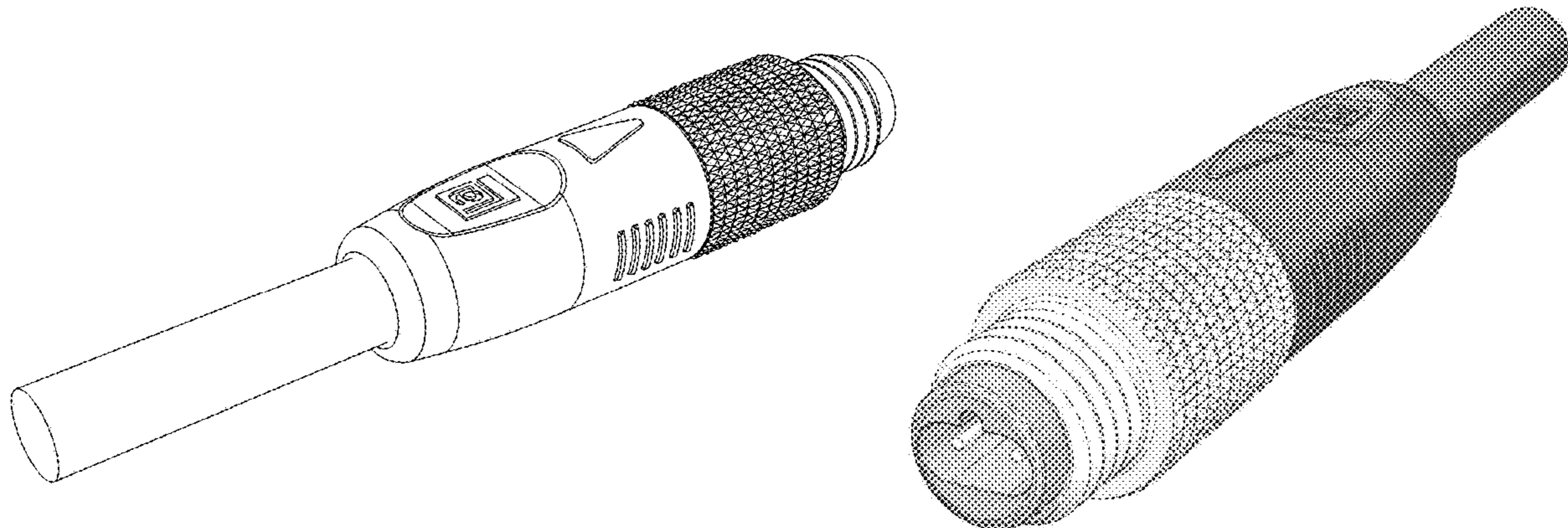
1.6 : Left

1.7 : Right

1.8 : Perspective

The gray shaded areas shown in reproductions 1.5-1.8 are included to show the areas of the design that are intended for colorization, which could not be shown in the line drawings of reproductions 1.1-1.4; the colorization of these areas forms part of the claimed design but no specific color is claimed.

1 Claim, 8 Drawing Sheets



(56)

References Cited

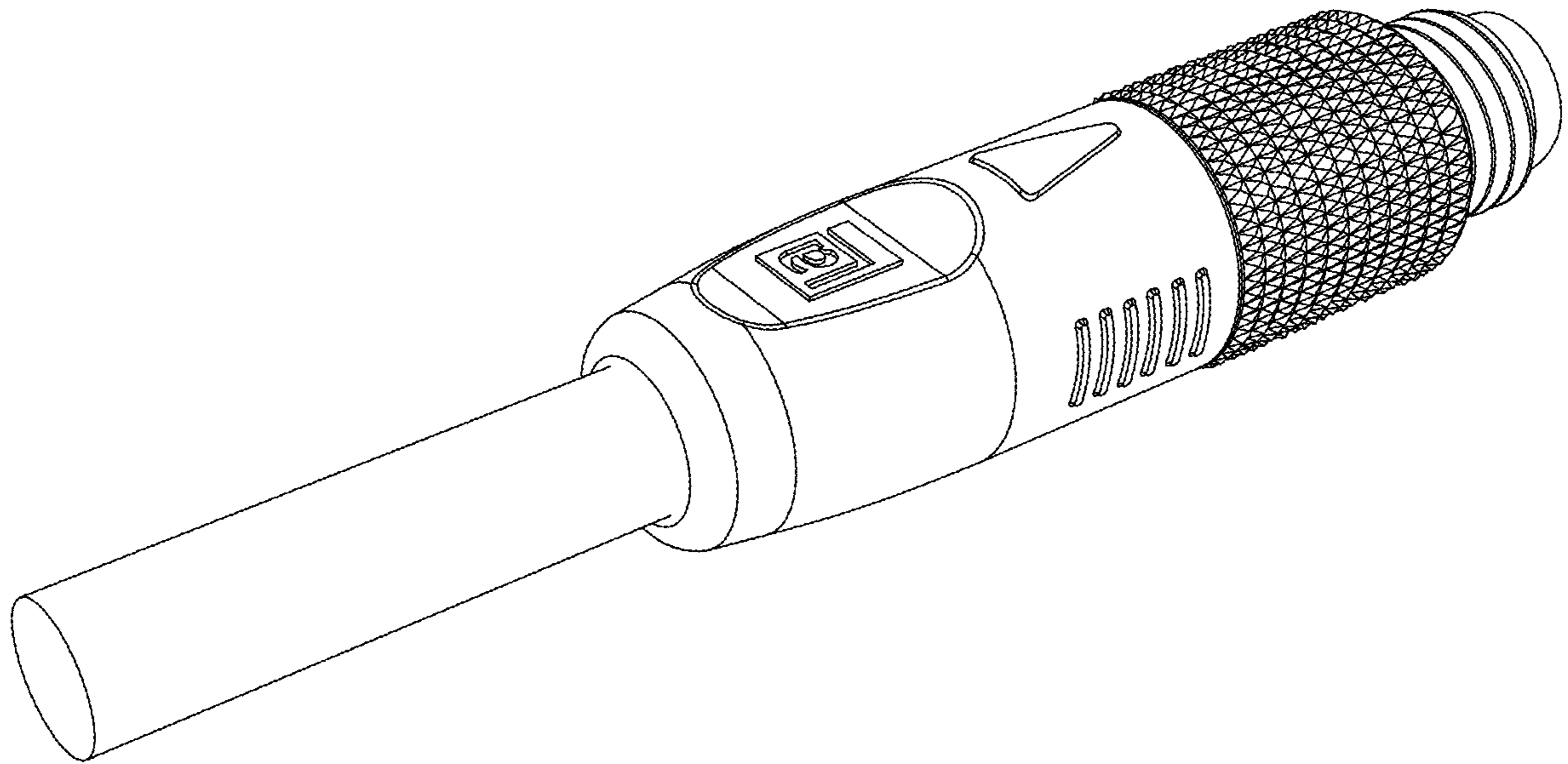
U.S. PATENT DOCUMENTS

D501,826 S * 2/2005 Bachmann D13/149
D512,023 S * 11/2005 Bachmann D13/149
D584,235 S * 1/2009 Montena D13/133
D587,202 S * 2/2009 Dobler D13/133
8,152,551 B2 * 4/2012 Zraik H01R 24/40
439/322
D779,434 S * 2/2017 Dobler D13/133
D890,707 S * 7/2020 Messadek D13/146
D924,143 S * 7/2021 Delker D13/133
2010/0130061 A1 * 5/2010 Snyder H01R 13/622
439/584

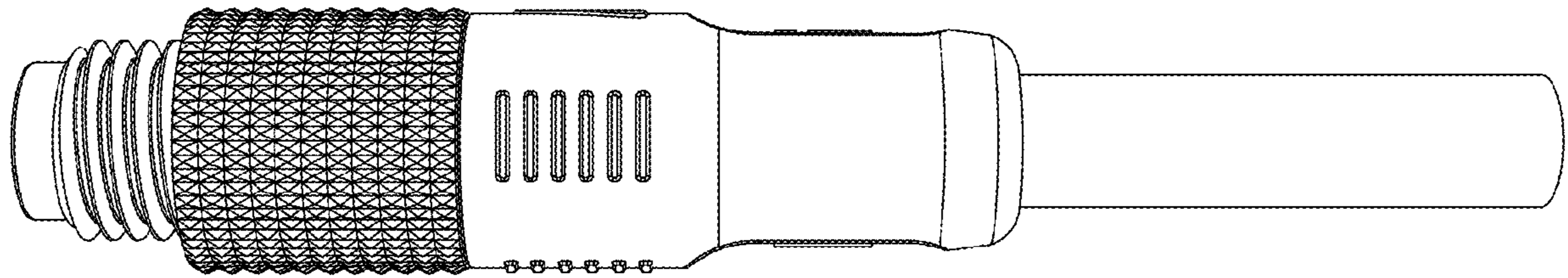
FOREIGN PATENT DOCUMENTS

EP 1744407 A1 * 1/2007 H01R 13/622
WO WO-2004066447 A1 * 8/2004 H01R 9/031

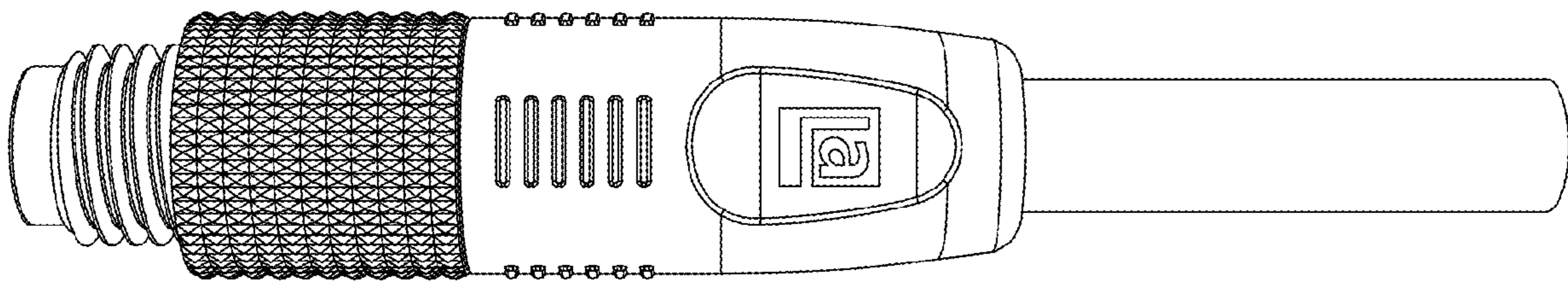
* cited by examiner



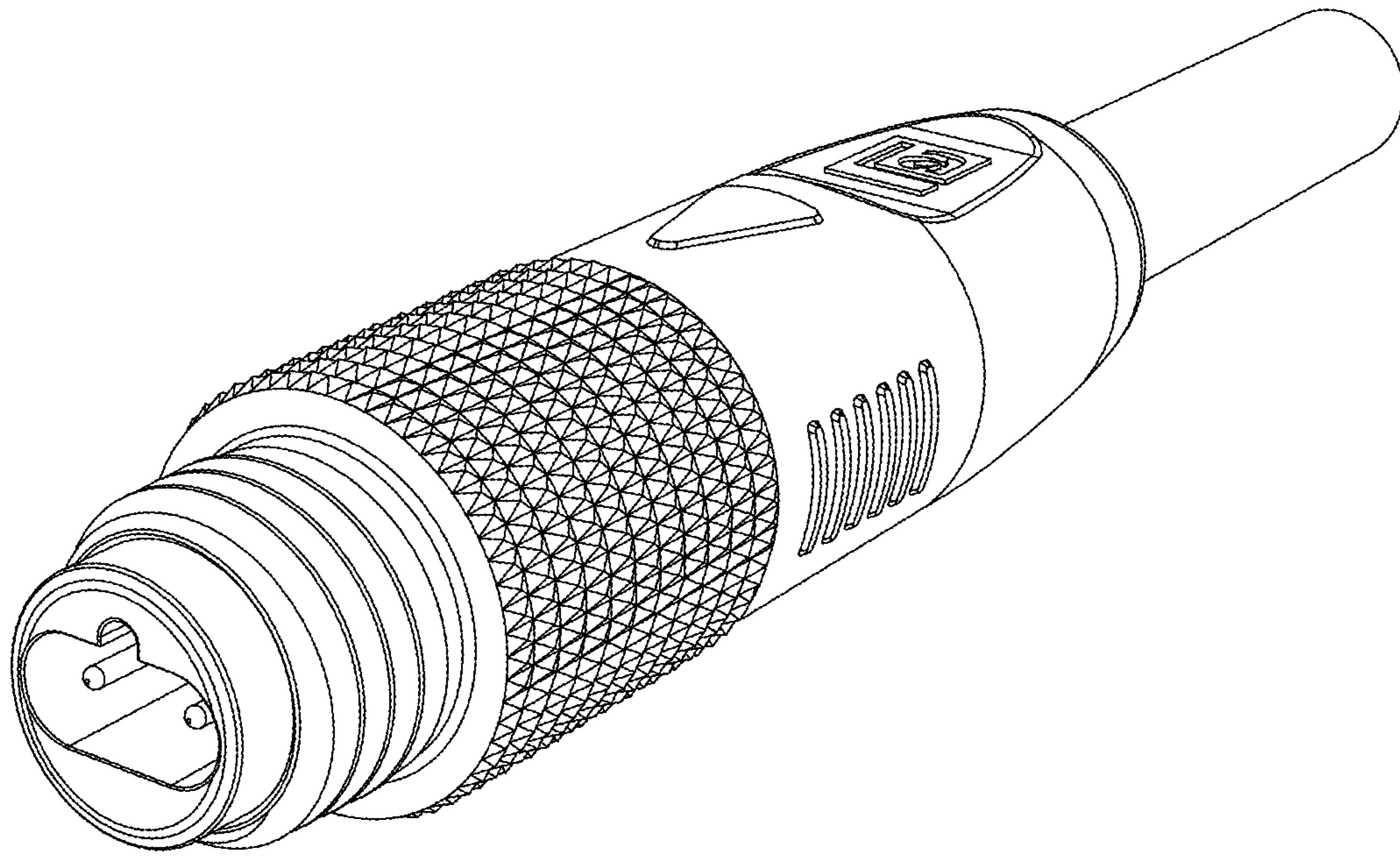
1.1



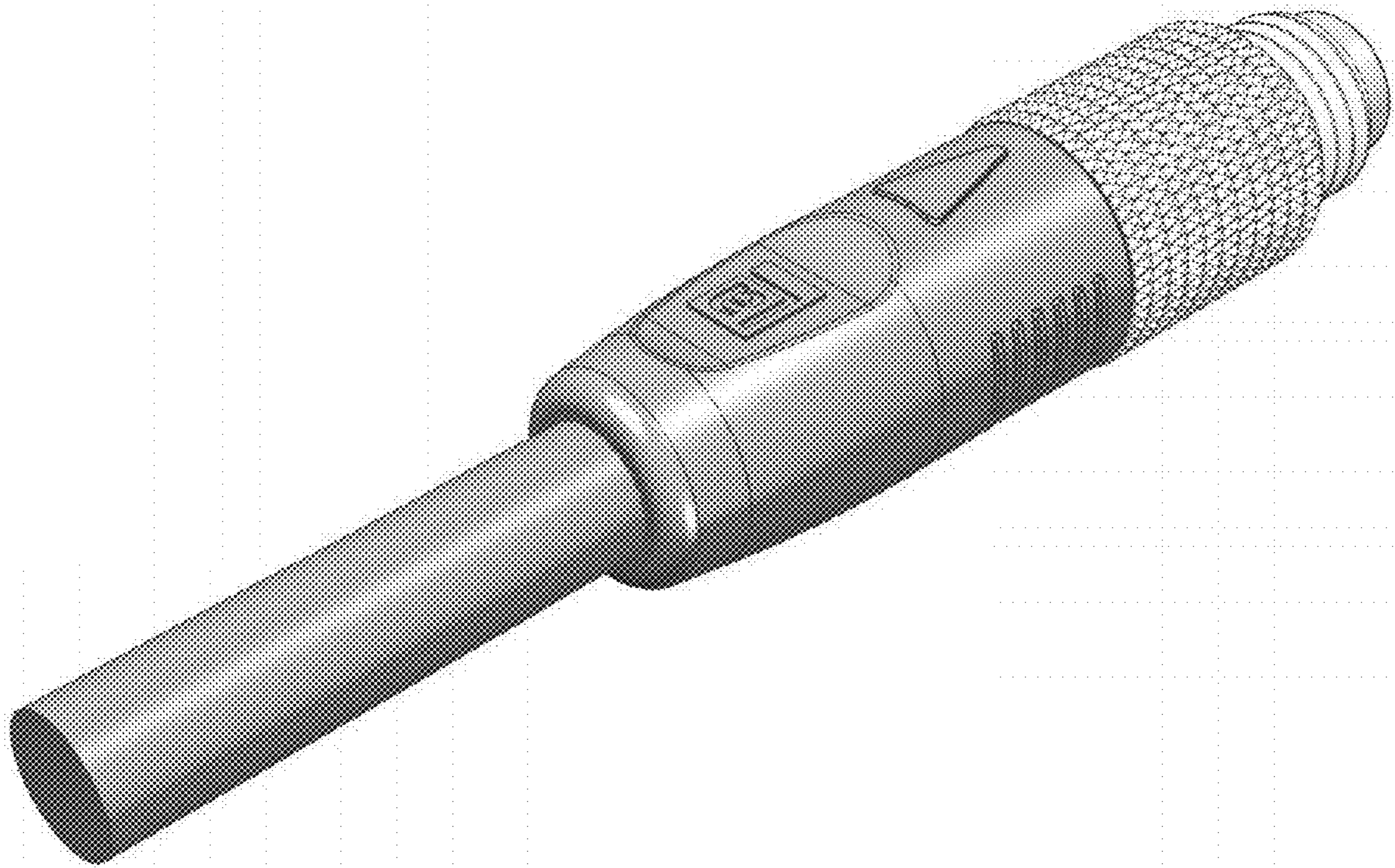
1.2



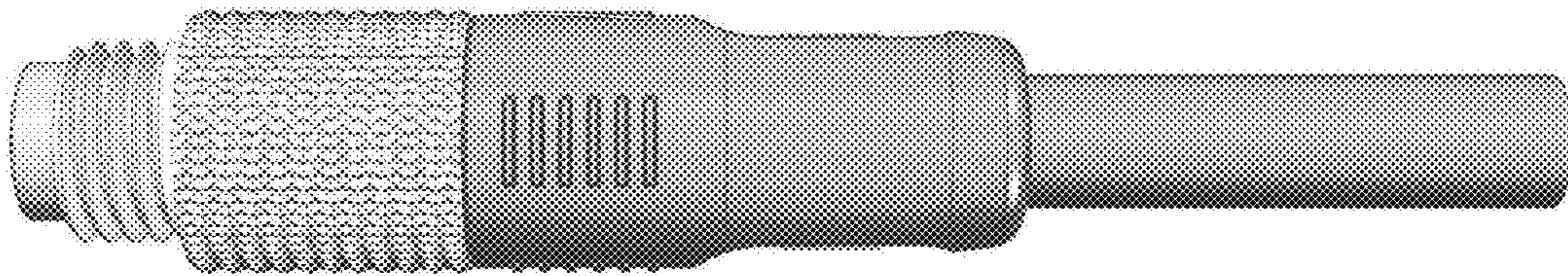
1.3



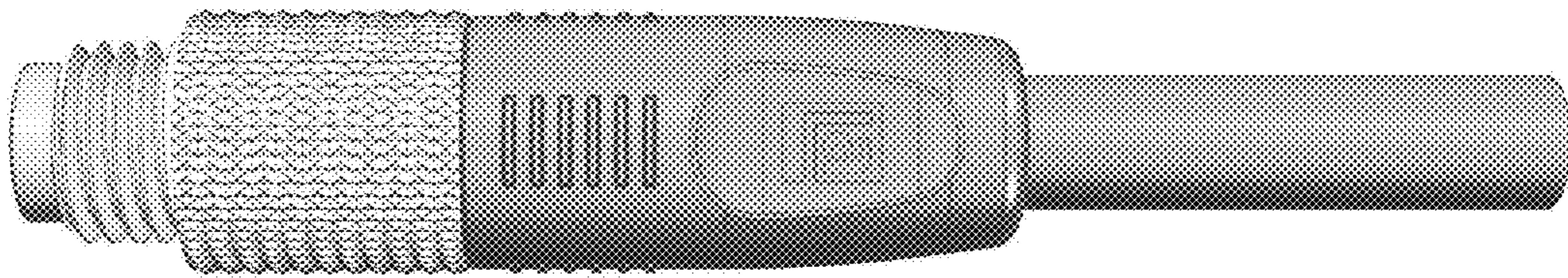
1.4



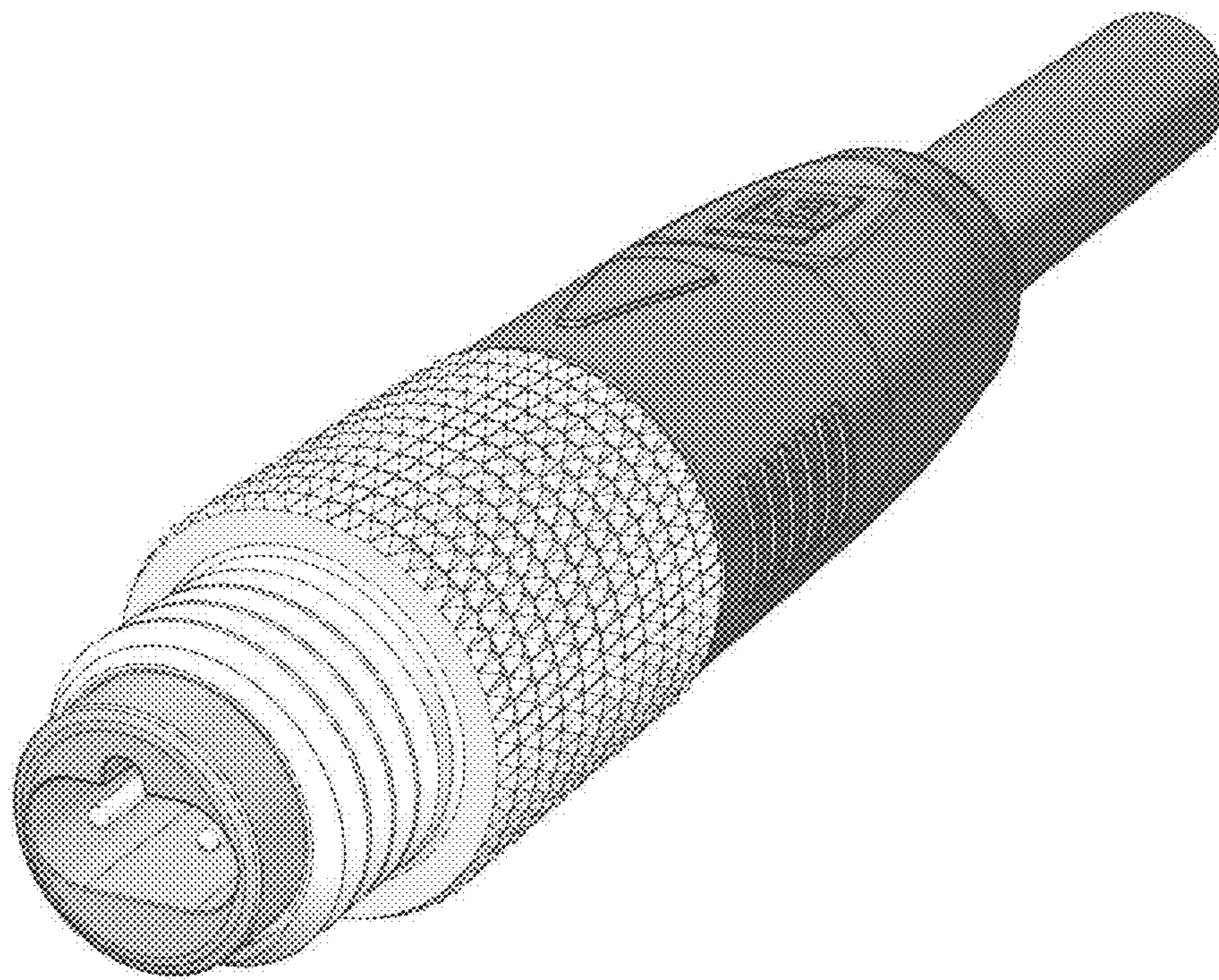
1.5



1.6



1.7



1.8