



US00D982517S

(12) **United States Design Patent**
Zhang

(10) **Patent No.:** **US D982,517 S**

(45) **Date of Patent:** **** Apr. 4, 2023**

(54) **ENERGY STORAGE AND POWER SUPPLY
DEVICE**

(71) Applicant: **Dongguan CHY Battery Technology
CO., LTD**, Dongguan (CN)

(72) Inventor: **Huaguo Zhang**, Huaihua (CN)

(73) Assignee: **Dongguan CHY Battery Technology
CO., LTD**, Dongguan (CN)

(**) Term: **15 Years**

(21) Appl. No.: **29/882,454**

(22) Filed: **Jan. 13, 2023**

(51) **LOC (14) Cl.** **13-02**

(52) **U.S. Cl.**
USPC **D13/110**

(58) **Field of Classification Search**
USPC D13/101, 102, 103, 107, 108, 110, 118,
D13/119, 123, 184, 199; D14/251, 253,
D14/432, 434

CPC .. H02J 7/00; H02J 7/027; H02J 7/0042; H02J
7/0045; H02J 7/0047; H02J 7/0063; H02J
7/32; H02J 7/342; H02J 7/1423; H02M
7/00; H02M 7/003; H01M 2/202; H01M
2/204; H01M 2/1022; H01M 2/342;
H05K 5/0247; H05K 7/1432; Y02T
10/7005; Y02T 10/705; Y02T 10/7088;
F21L 4/00; Y02E 60/12; Y02E 60/50

See application file for complete search history.

(56) **References Cited**

U.S. PATENT DOCUMENTS

D538,742 S * 3/2007 Pickvet D13/110
D630,581 S * 1/2011 Xu D13/116

D655,240 S * 3/2012 Hsu D13/102
D664,499 S * 7/2012 Workman D13/107
D823,797 S 7/2018 Krantz
D856,930 S * 8/2019 Huang D13/116
10,424,943 B2 * 9/2019 Wang H02J 7/0047
D886,047 S * 6/2020 Hung D13/103
D932,433 S * 10/2021 Tang D13/110
D936,007 S 11/2021 Huang
D950,490 S 5/2022 Yu
2016/0285295 A1 * 9/2016 Marinov H02J 7/342

* cited by examiner

Primary Examiner — Derrick E Holland

(74) *Attorney, Agent, or Firm* — Georgi Korobanov

(57) **CLAIM**

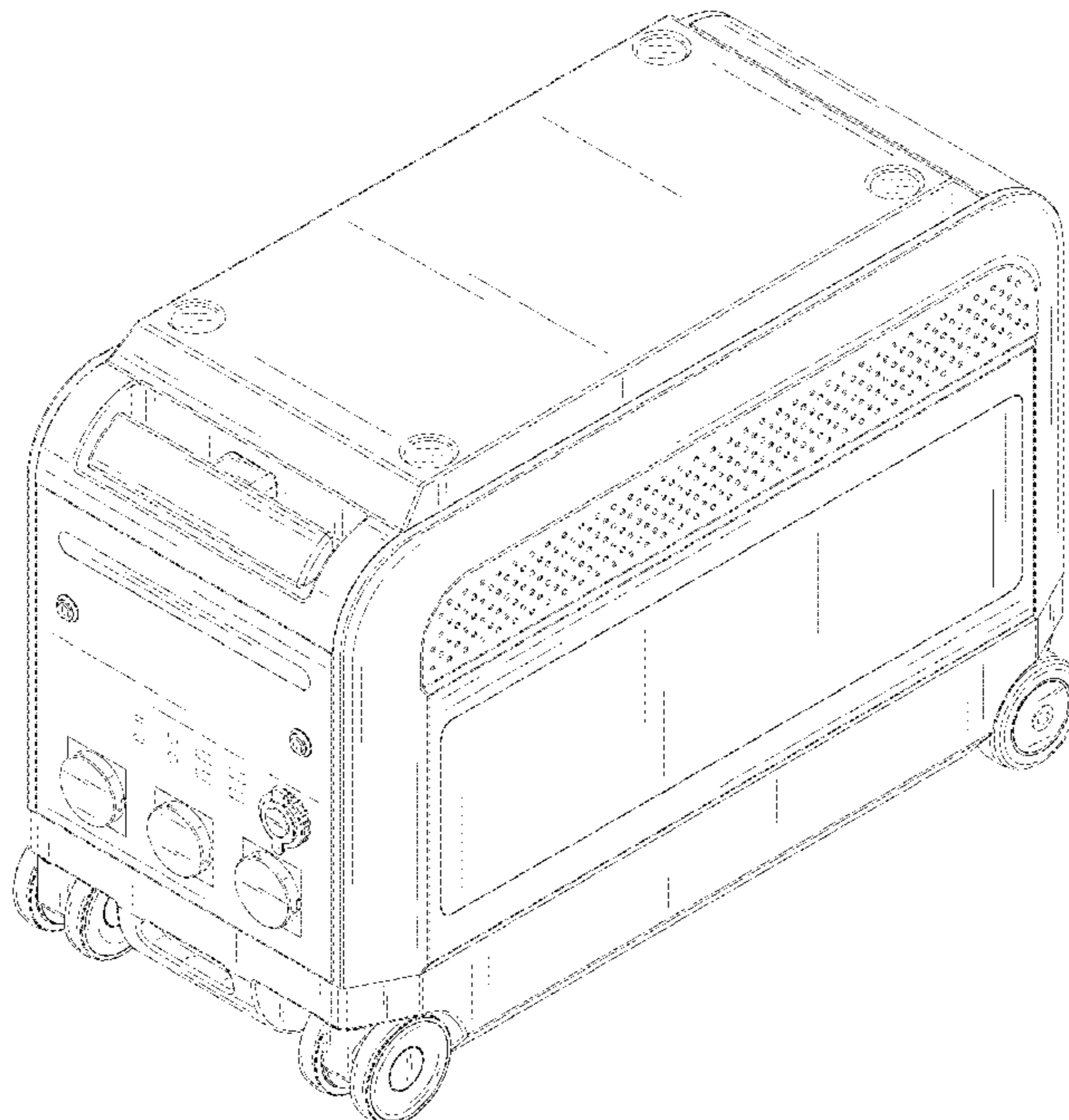
The ornamental design for an energy storage and power supply device, as shown and described.

DESCRIPTION

Fig. 1 is a front, left and top perspective view of an energy storage and power supply device, showing my new design; FIG. 2 is a rear, right and bottom perspective view thereof; FIG. 3 is a front view thereof; FIG. 4 is a rear view thereof; FIG. 5 is a left side view thereof; FIG. 6 is a right side view thereof; FIG. 7 is a top plan view thereof; and, FIG. 8 is a bottom plan view thereof.

The broken lines shown in the drawings illustrate portions of the energy storage and power supply device that form no part of the claimed design.

1 Claim, 8 Drawing Sheets



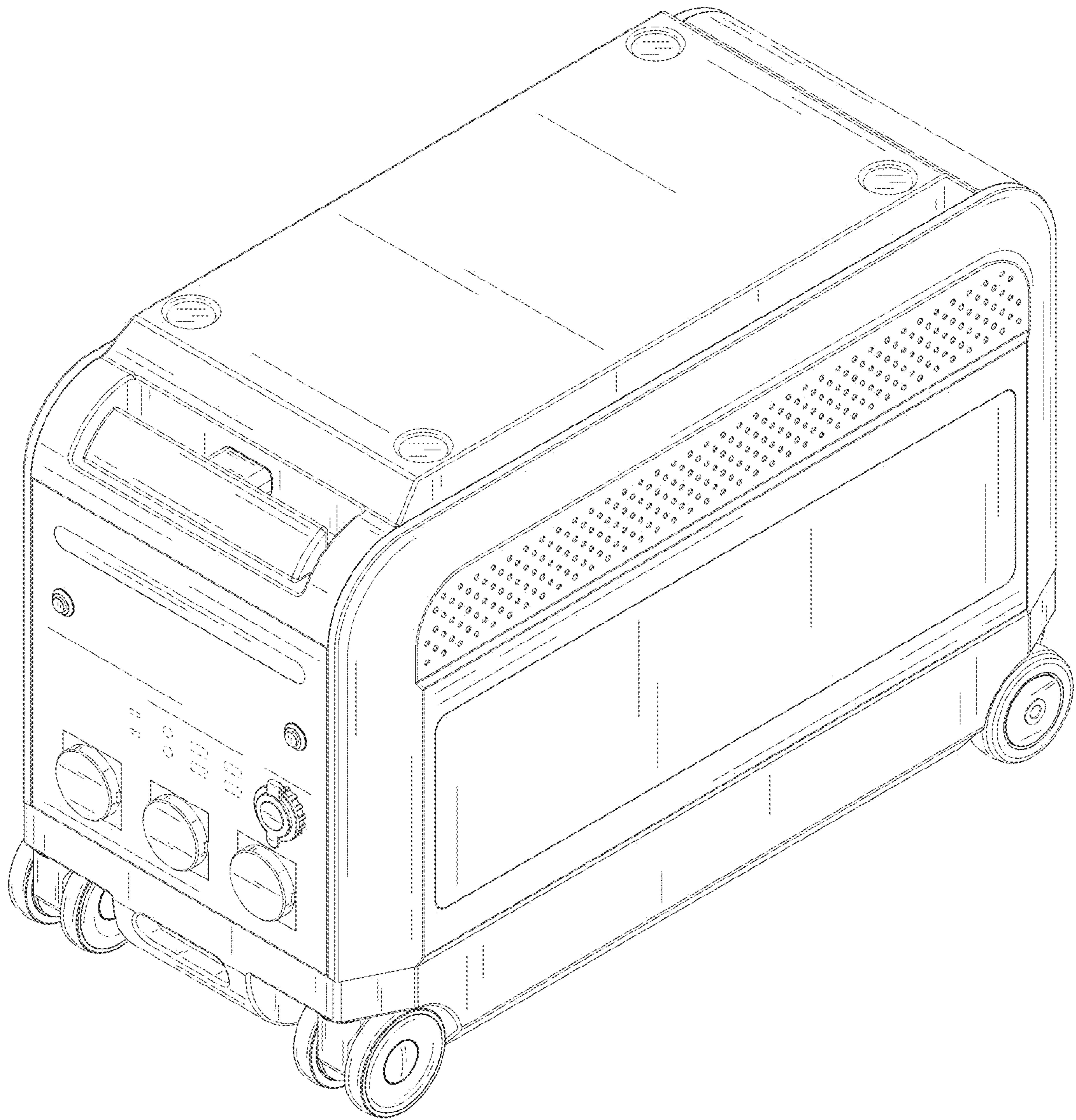


FIG. 1

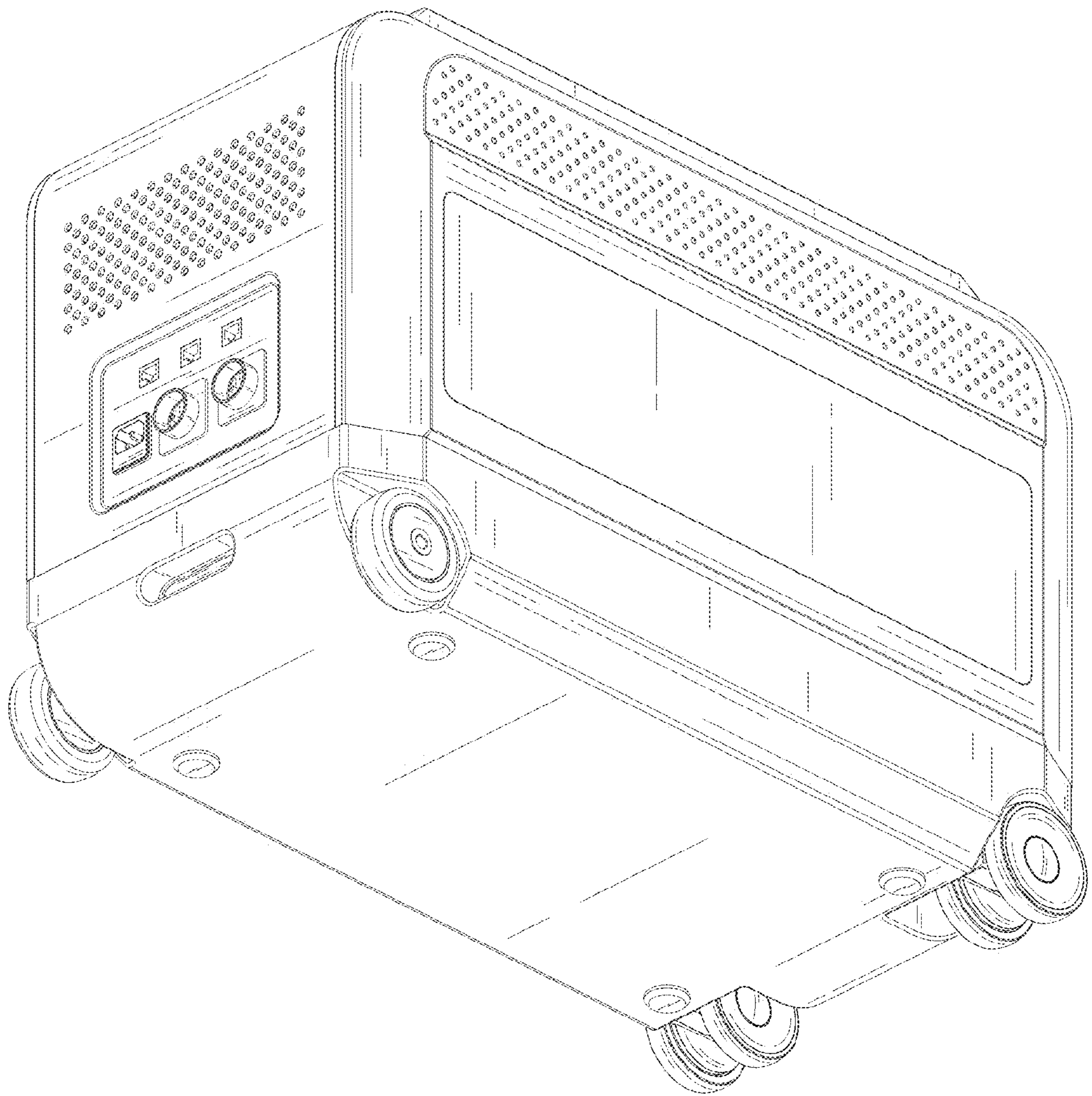


FIG. 2

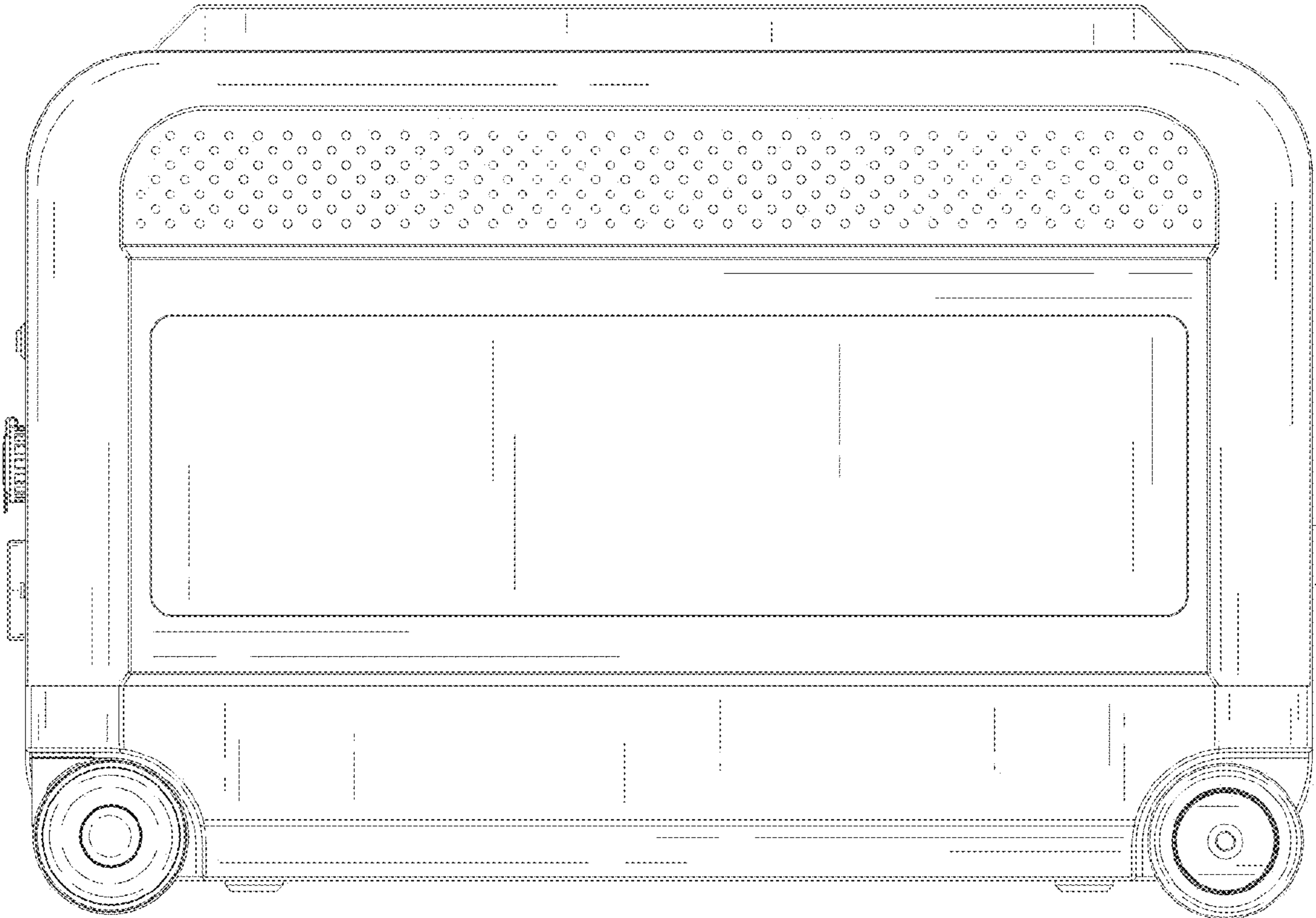


FIG. 3

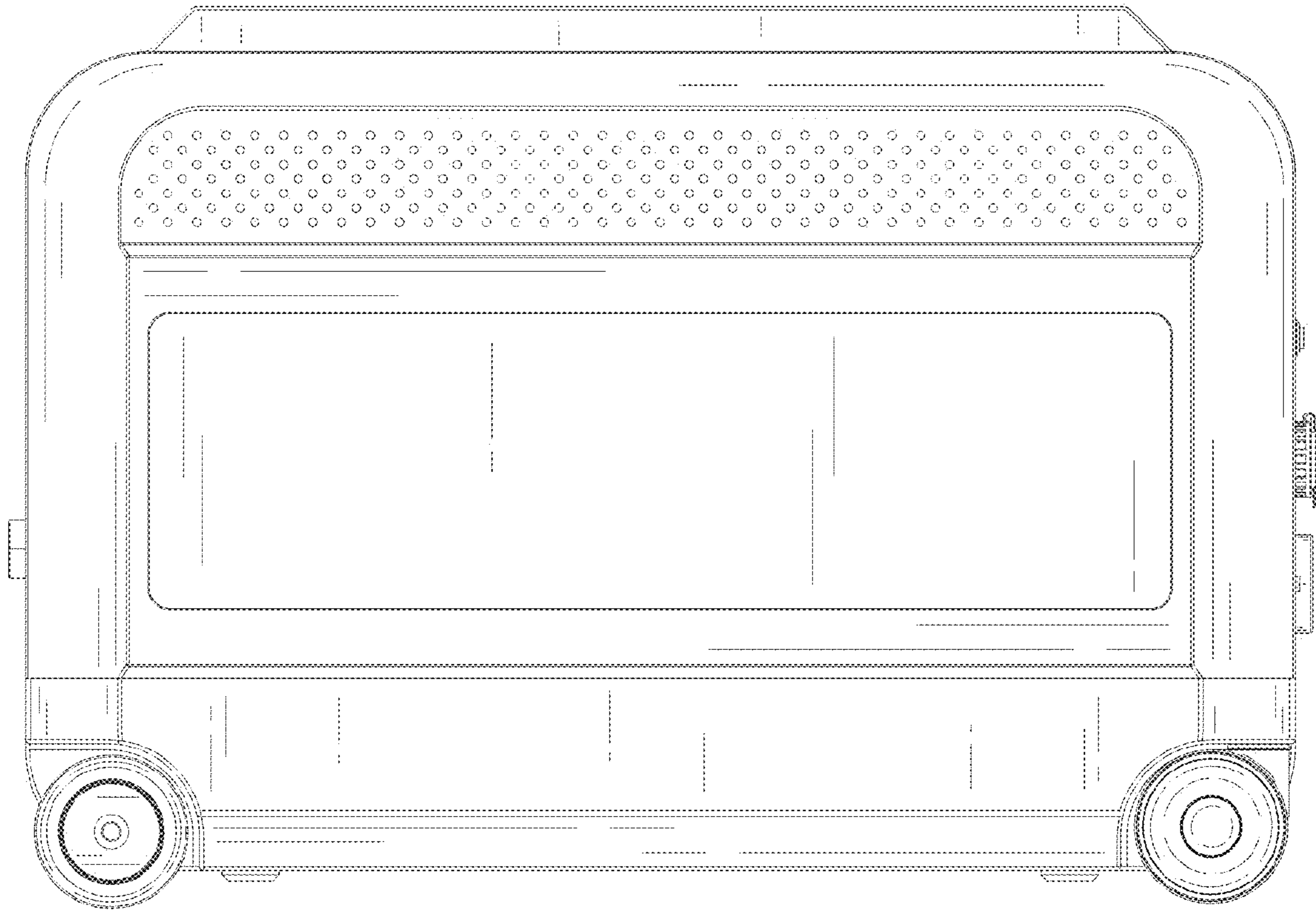


FIG. 4

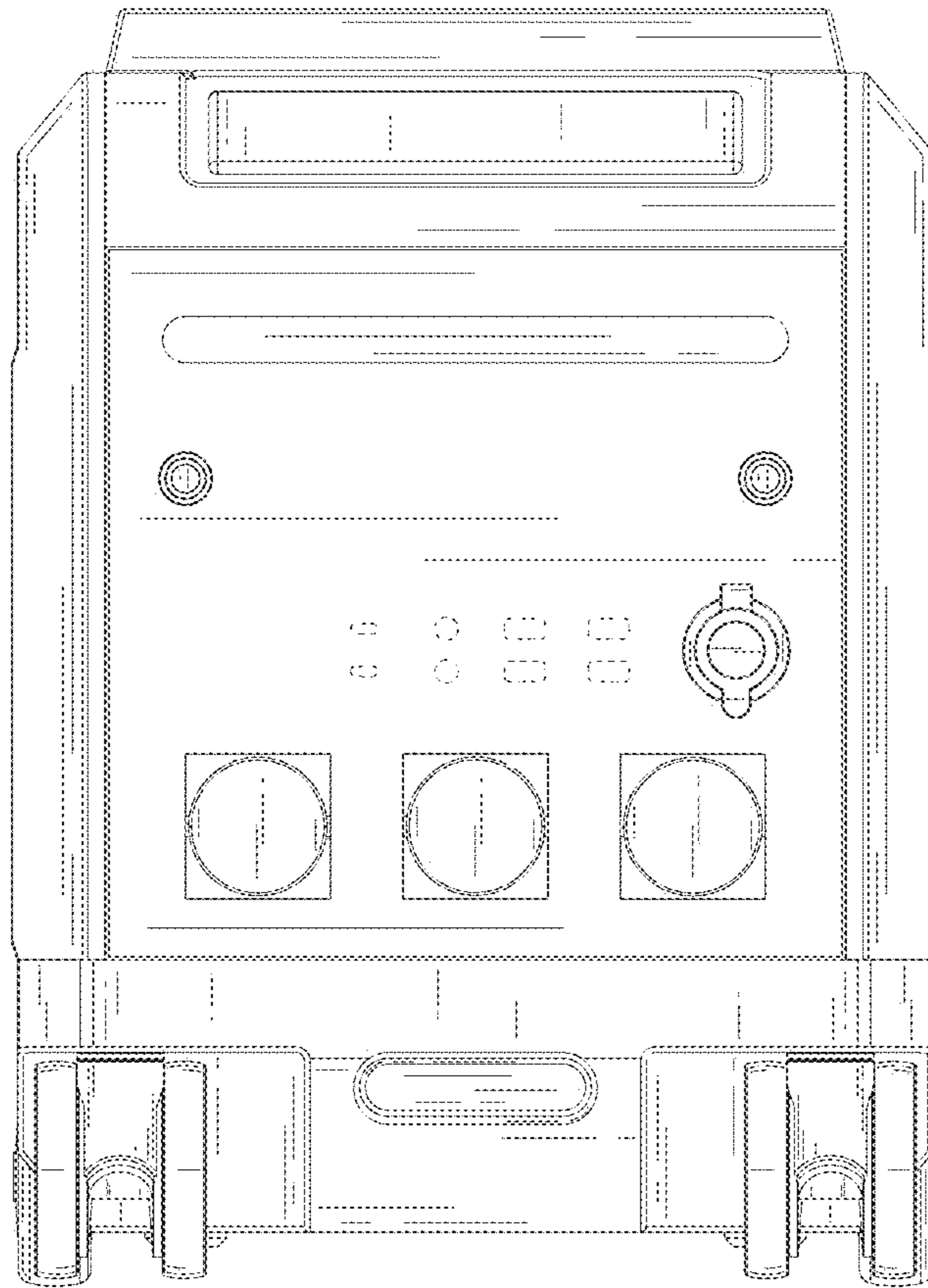


FIG. 5

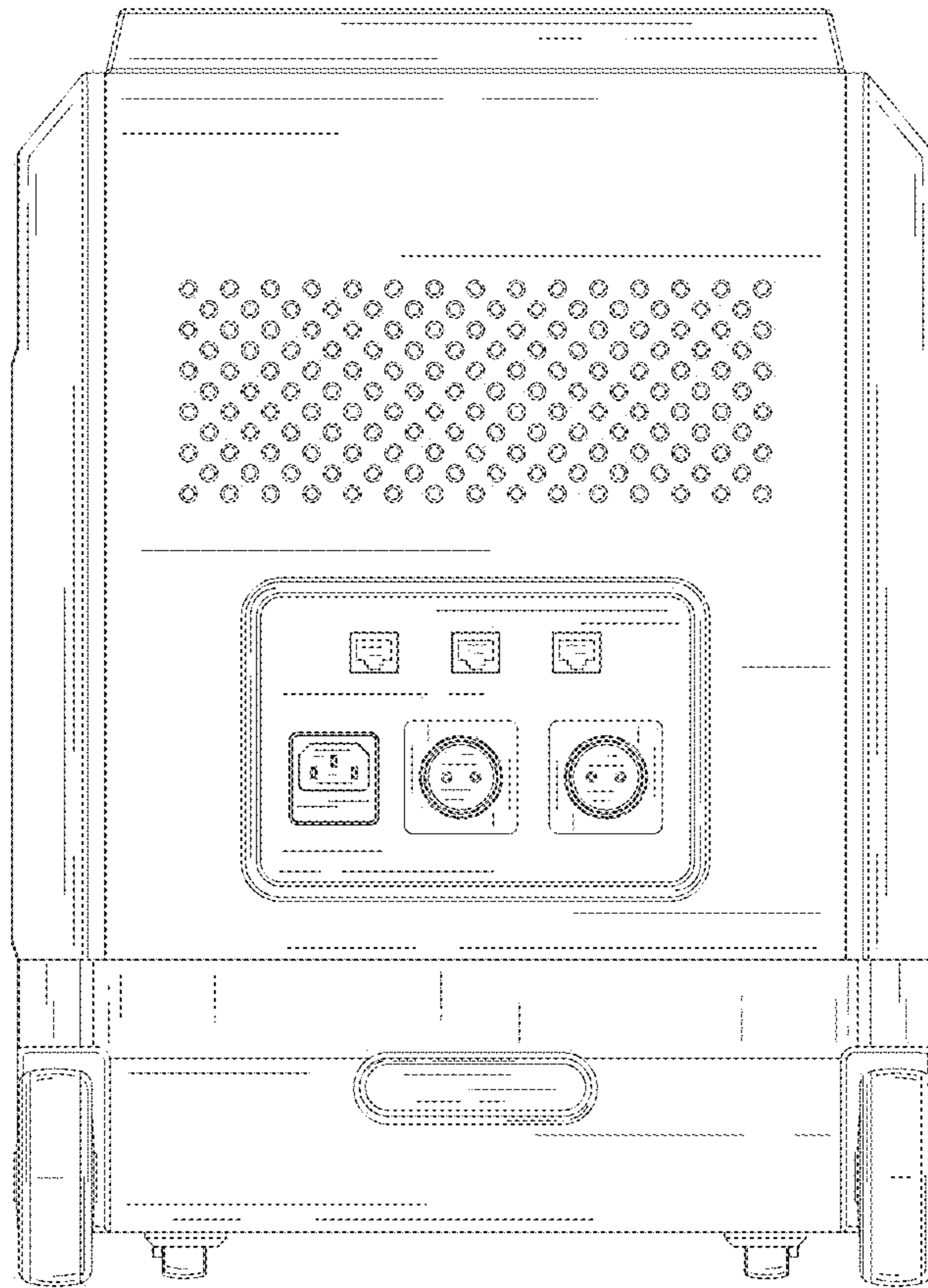


FIG. 6

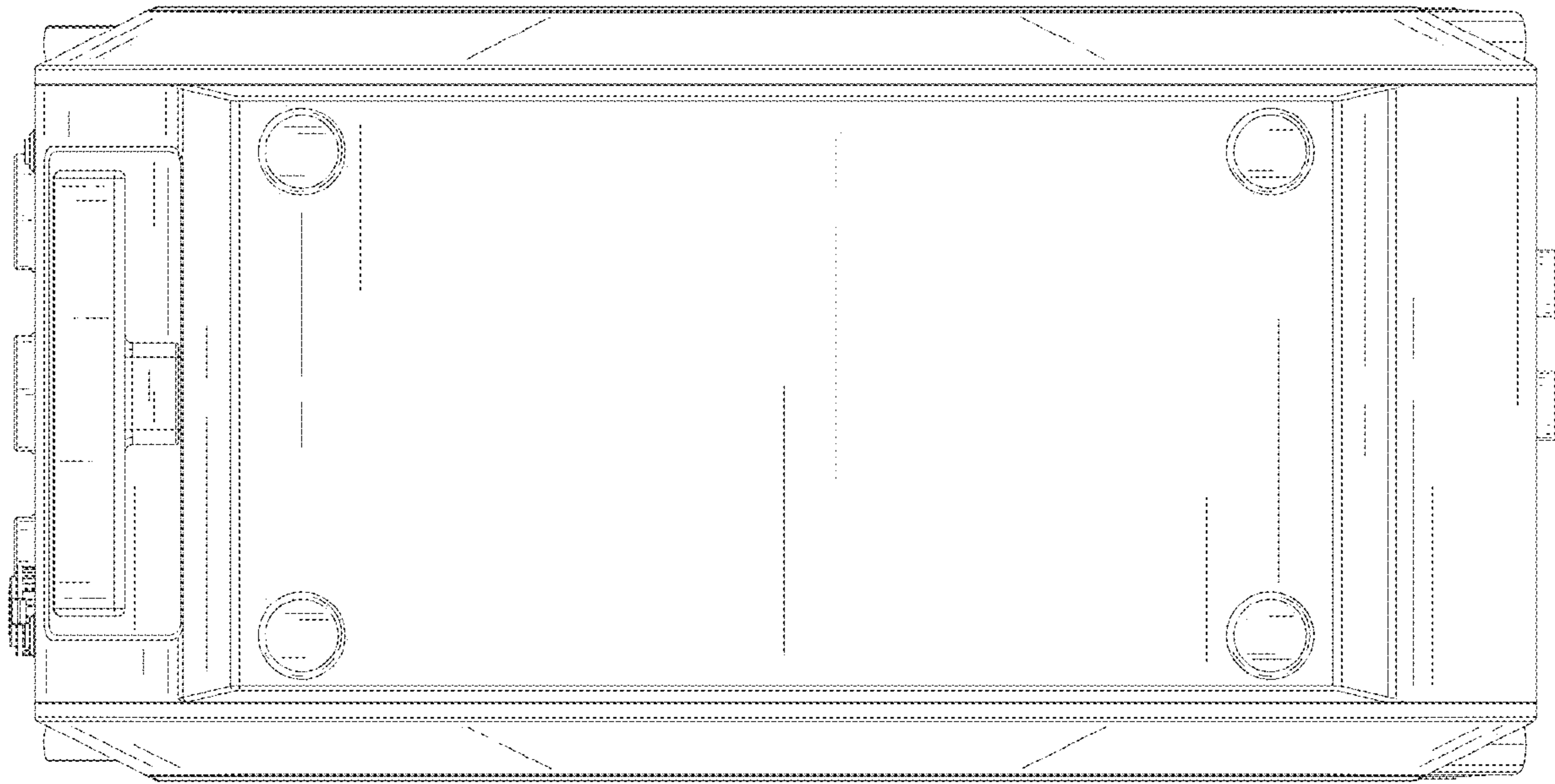


FIG. 7

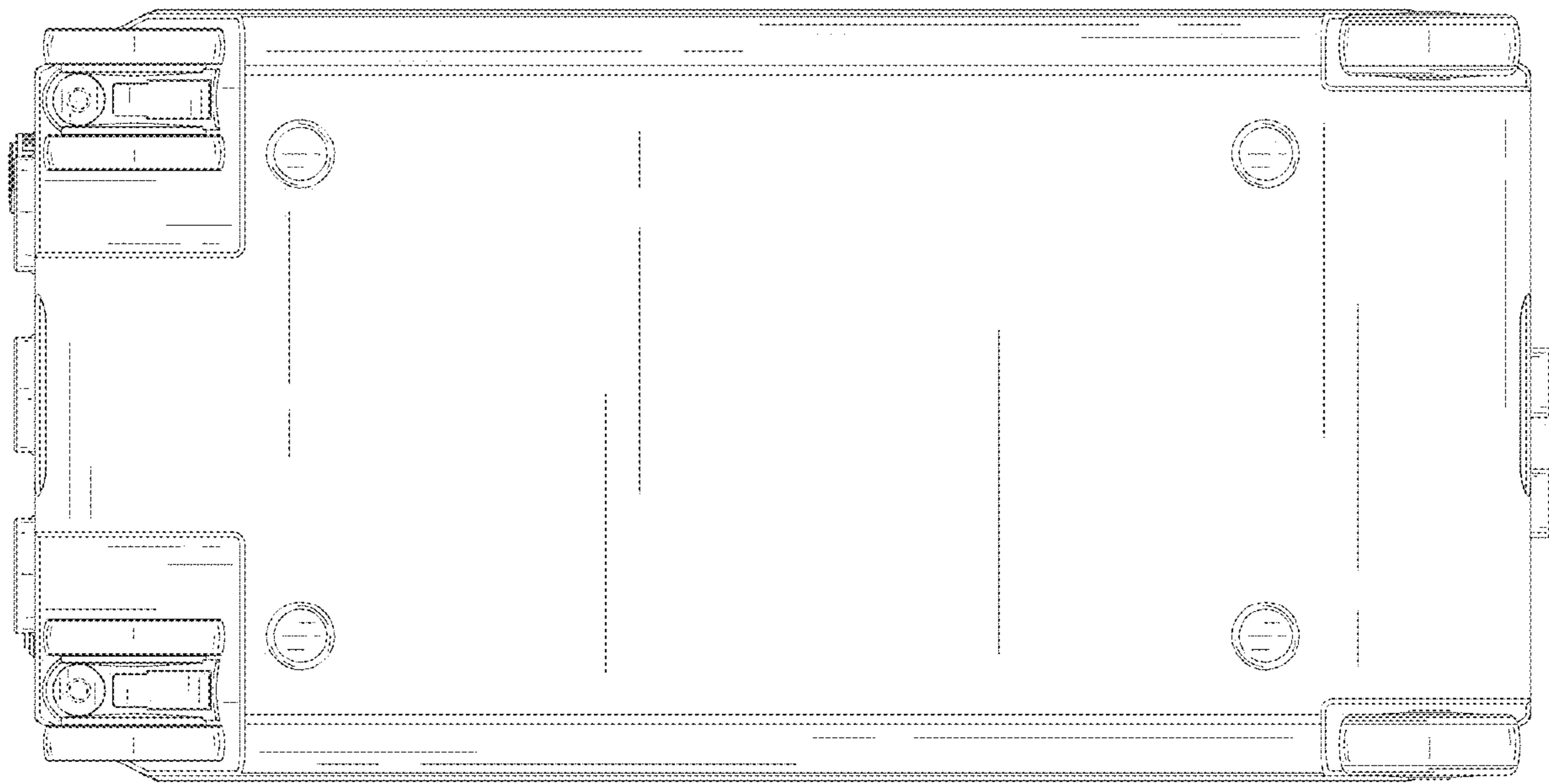


FIG. 8