



US00D982516S

(12) **United States Design Patent**  
**Fournier**

(10) **Patent No.:** **US D982,516 S**  
(45) **Date of Patent:** **\*\* Apr. 4, 2023**

(54) **ELECTRICAL MODULE FOR TRAFFIC LIGHTING SYSTEM**

(71) Applicant: **LOGISIG INC.**,  
Fossambault-sur-le-Lac (CA)

(72) Inventor: **Serge Fournier**, Fossambault-sur-le-Lac (CA)

(73) Assignee: **LOGISIG INC.**,  
Fossambault-sur-le-Lac (CA)

(\*\*) Term: **15 Years**

(21) Appl. No.: **29/768,296**

(22) Filed: **Jan. 28, 2021**

(30) **Foreign Application Priority Data**

Jul. 31, 2020 (CA) ..... CA 197292

(51) **LOC (14) Cl.** ..... **13-03**

(52) **U.S. Cl.**  
USPC ..... **D13/110; D13/162**

(58) **Field of Classification Search**  
USPC ..... D26/142, 113, 138, 81-92, 143-144, 63,  
D26/72, 80; 340/907, 929, 906;  
D13/110, 112, 124, 158, 160, 162.1, 184;  
D14/140.2

CPC ..... G08G 1/07; G08G 1/09623; G08G 1/00;  
G08G 1/08; G08G 1/087; G08G 1/095;  
F21S 8/03; F21S 8/031; F21S 8/033;  
F21S 8/035; F21S 8/036; F21S 13/02;  
H01R 12/72; H05K 5/00; H05K 5/02  
See application file for complete search history.

(56) **References Cited**

**U.S. PATENT DOCUMENTS**

3,383,653 A \* 5/1968 Bolton ..... G08G 1/07  
361/730  
3,886,496 A \* 5/1975 Spilo ..... G08G 1/07  
340/916

D368,068 S \* 3/1996 Alden ..... D13/110  
D395,654 S \* 6/1998 Mackie ..... D14/188  
D418,808 S \* 1/2000 Lee ..... D13/110  
D421,245 S \* 2/2000 Weng ..... D13/110  
D445,761 S \* 7/2001 Weng ..... D13/110  
D451,883 S \* 12/2001 Reynolds ..... D13/110  
D452,475 S \* 12/2001 Reynolds ..... D13/110  
D454,111 S \* 3/2002 Rodriguez ..... D13/110  
D509,184 S \* 9/2005 Schuttler ..... D13/110  
D509,185 S \* 9/2005 Suckle ..... D13/110  
D551,165 S \* 9/2007 Albano ..... D13/110  
D590,771 S \* 4/2009 Yeh ..... D13/110  
8,154,856 B2 \* 4/2012 Fontana ..... H02B 3/00  
361/624  
D703,609 S \* 4/2014 Koenig ..... D13/116  
D764,407 S \* 8/2016 Robredo ..... D13/110  
D884,960 S \* 5/2020 Fournier ..... D26/142

(Continued)

*Primary Examiner* — Selina Sikder

(74) *Attorney, Agent, or Firm* — Alexandre Daoust;  
Norton Rose Fulbright LLP

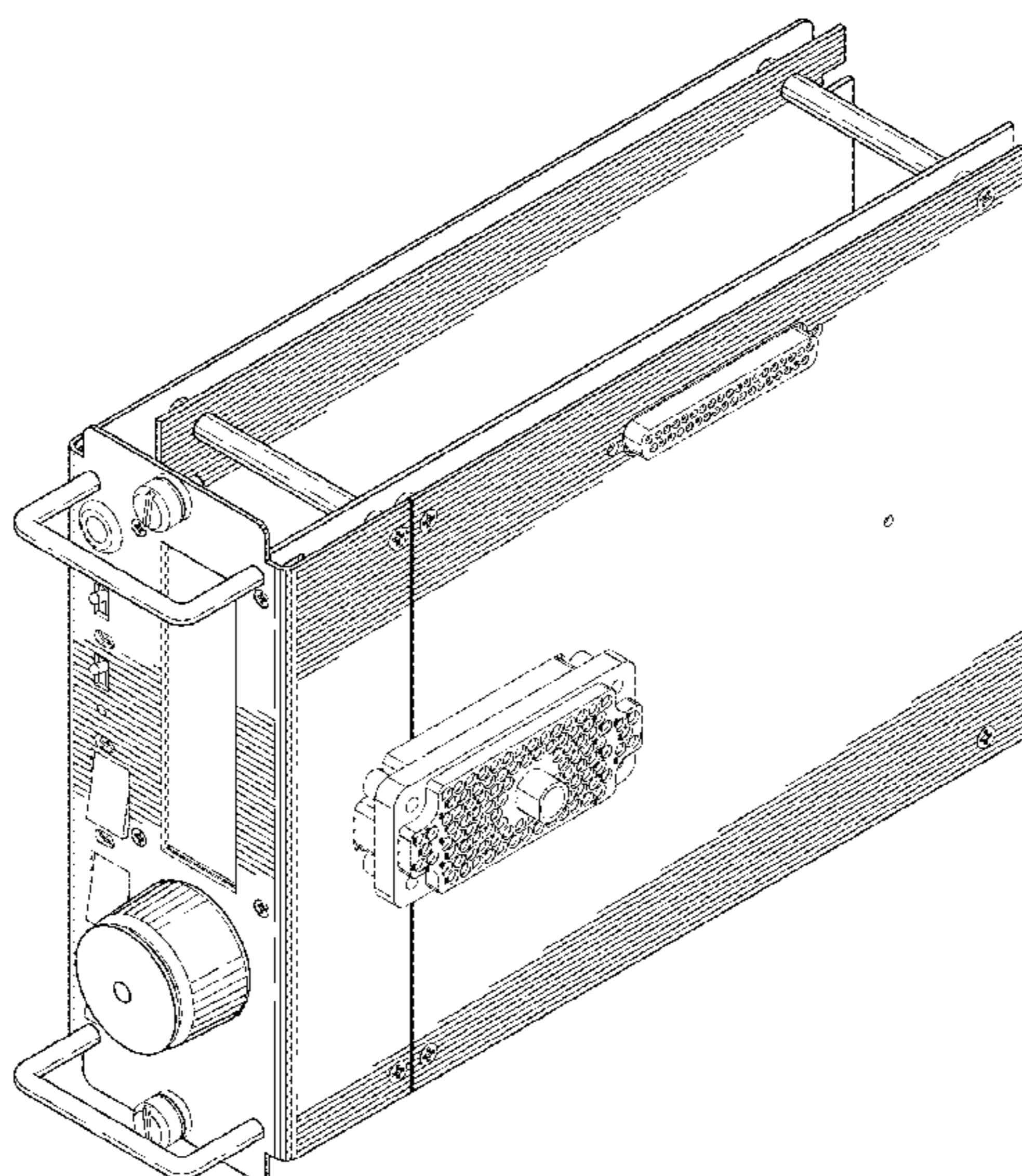
(57) **CLAIM**

I claim the design for electrical module for traffic lighting system, as shown and described.

**DESCRIPTION**

FIG. 1 is an oblique view of the electrical module for traffic lighting system showing my new design;  
FIG. 2 is a left side view thereof;  
FIG. 3 is a front view thereof;  
FIG. 4 is a right side view thereof;  
FIG. 5 is a top view thereof;  
FIG. 6 is a bottom view thereof; and,  
FIG. 7 is a rear view thereof.  
The broken lines are included for the purpose of illustrating non-claimed subject matter and form no part of the claimed design.

**1 Claim, 6 Drawing Sheets**



(56)

**References Cited**

U.S. PATENT DOCUMENTS

2004/0114326 A1\* 6/2004 Dodgen ..... H05K 7/206  
361/696  
2005/0094407 A1\* 5/2005 Heald ..... G08G 1/095  
362/362  
2022/0076573 A1\* 3/2022 Fournier ..... H01R 12/72  
2022/0165153 A1\* 5/2022 Fournier ..... H05B 47/175

\* cited by examiner

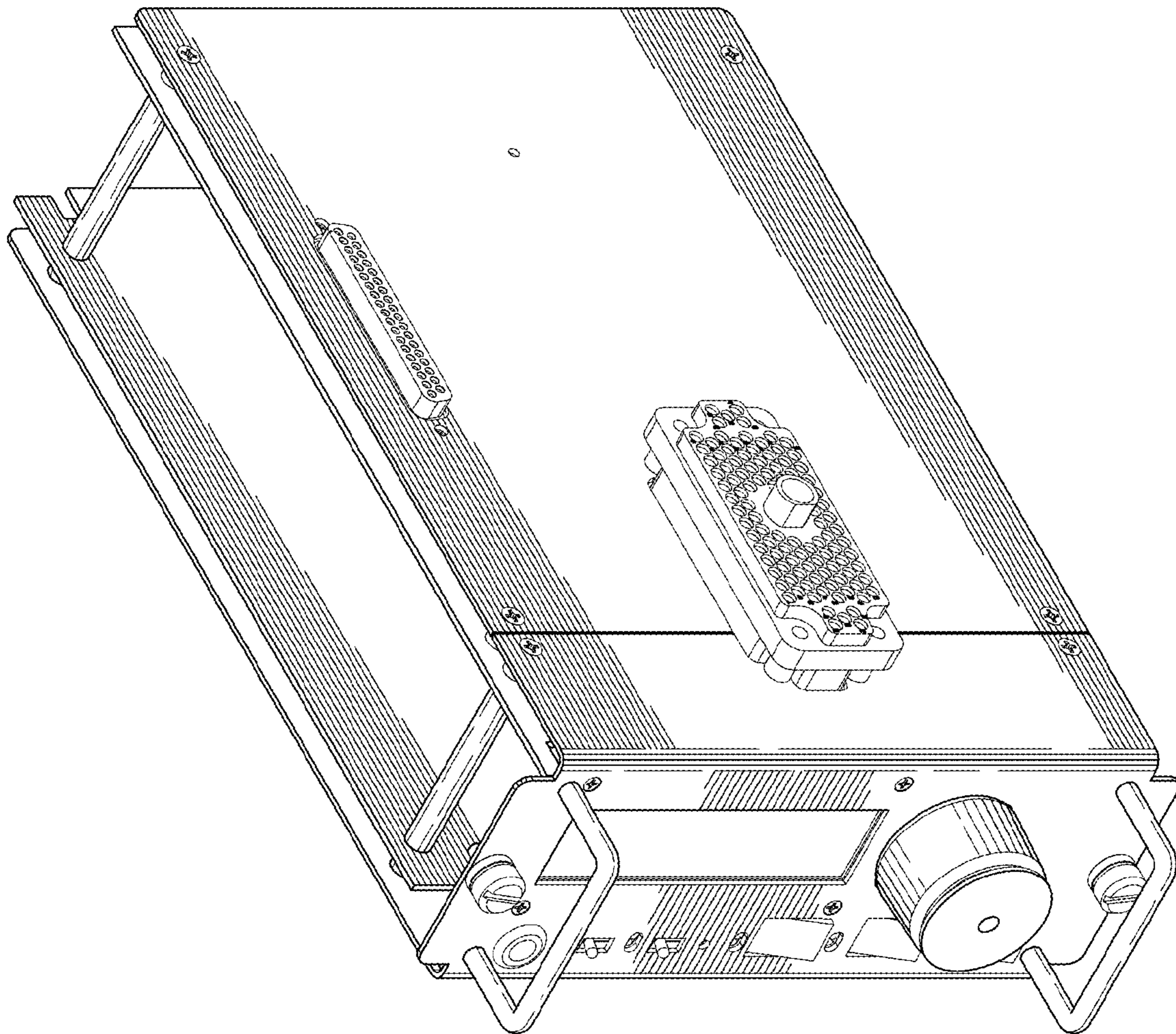


FIG. 1

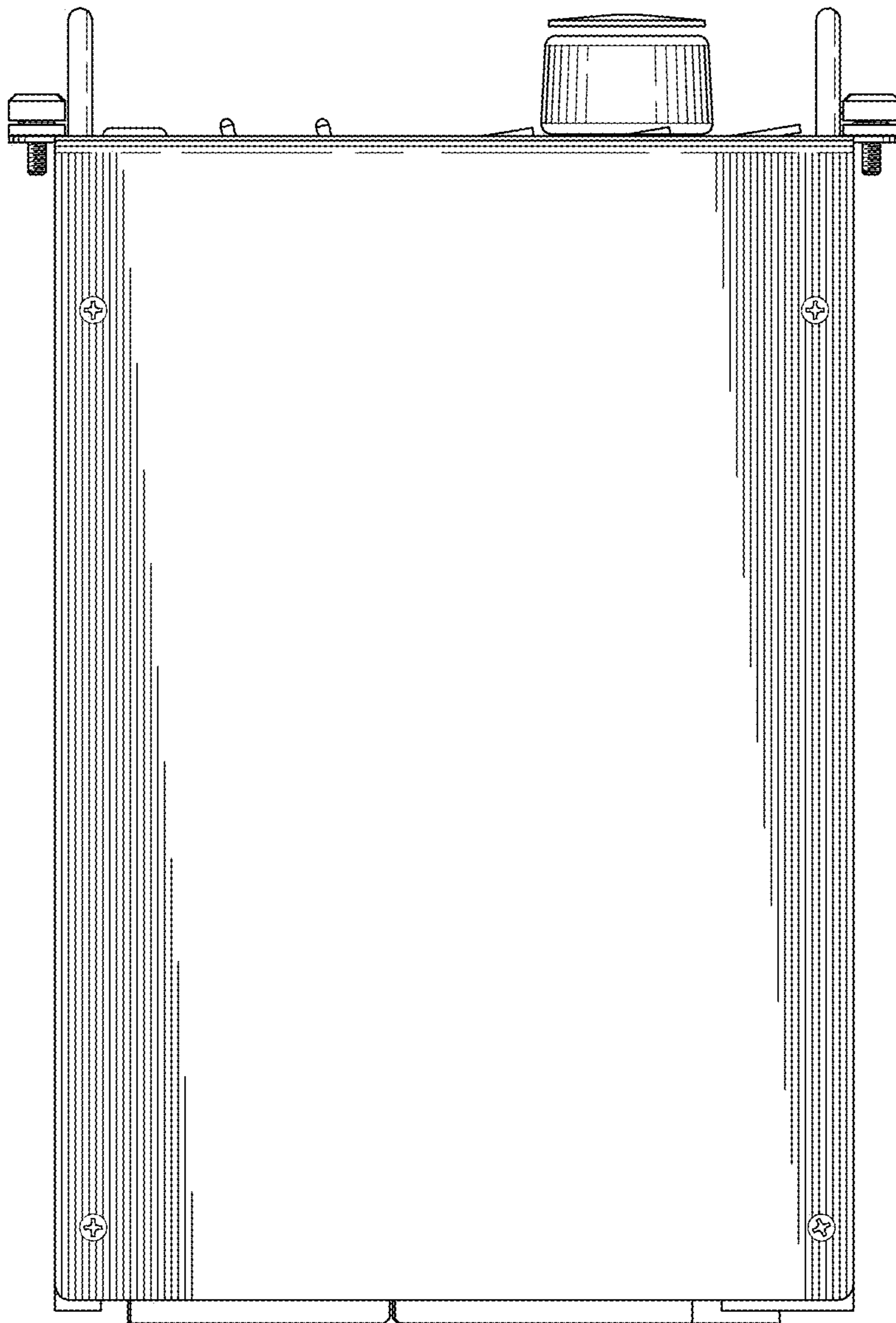


FIG. 3

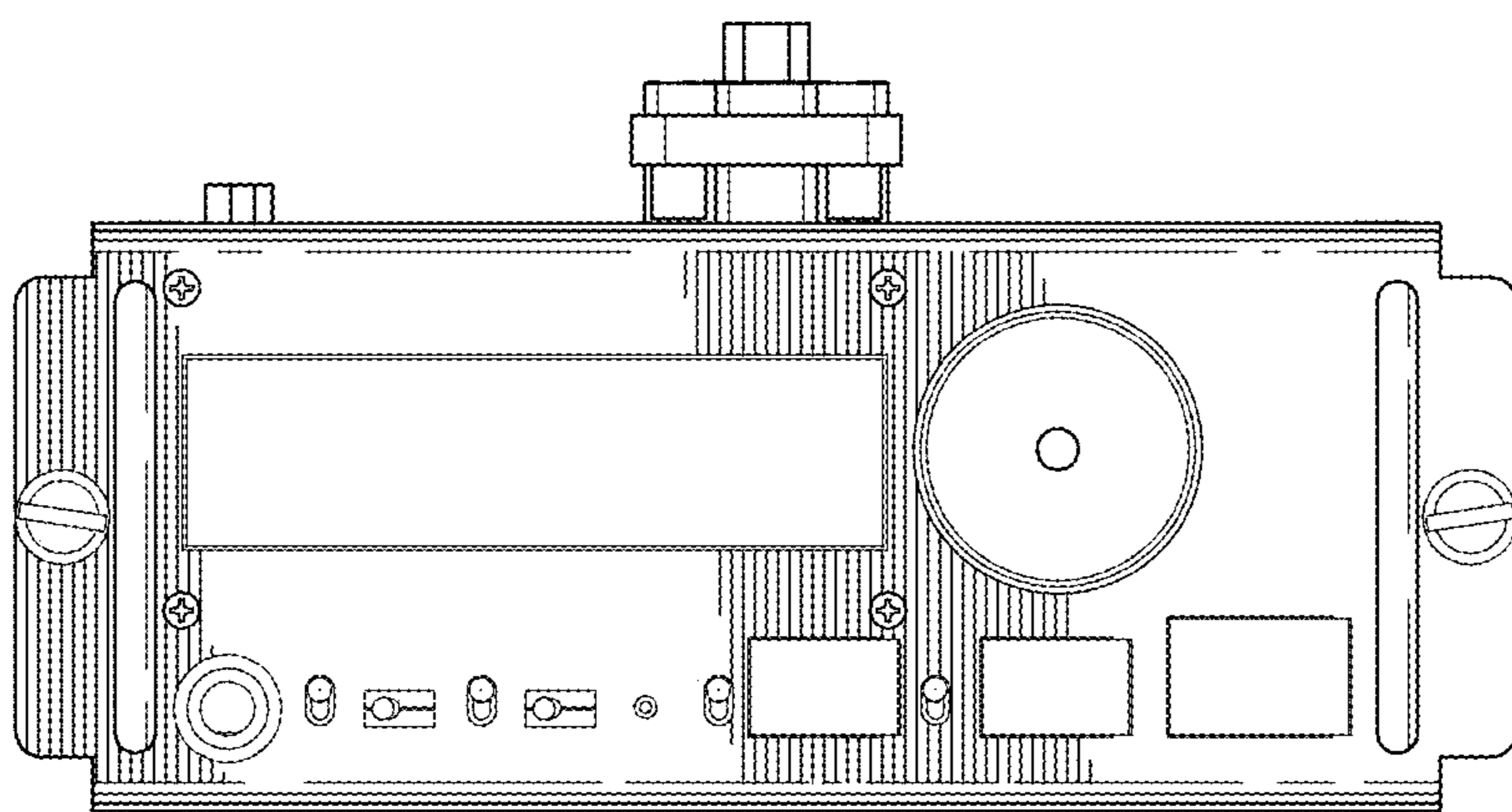


FIG. 2

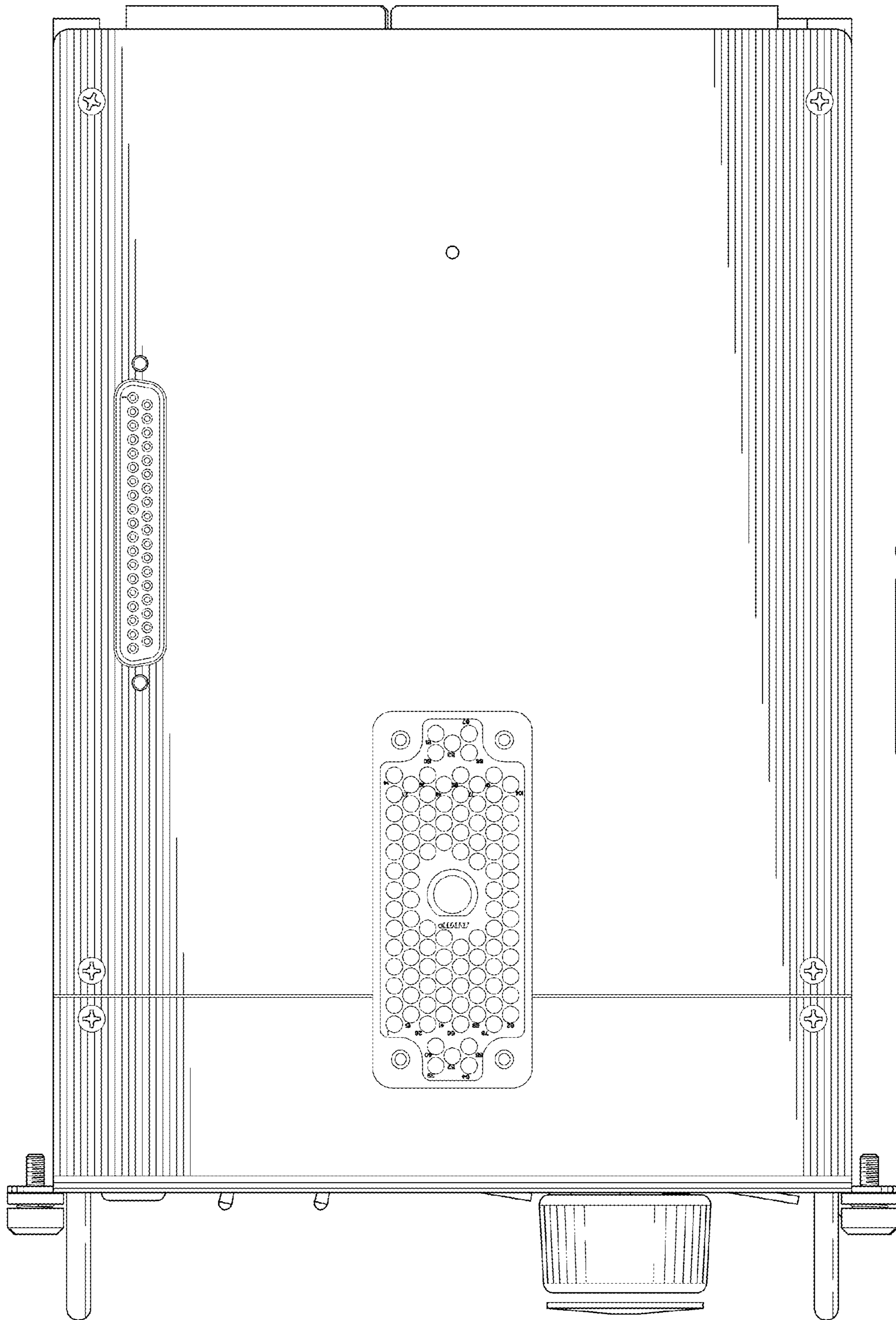


FIG. 4

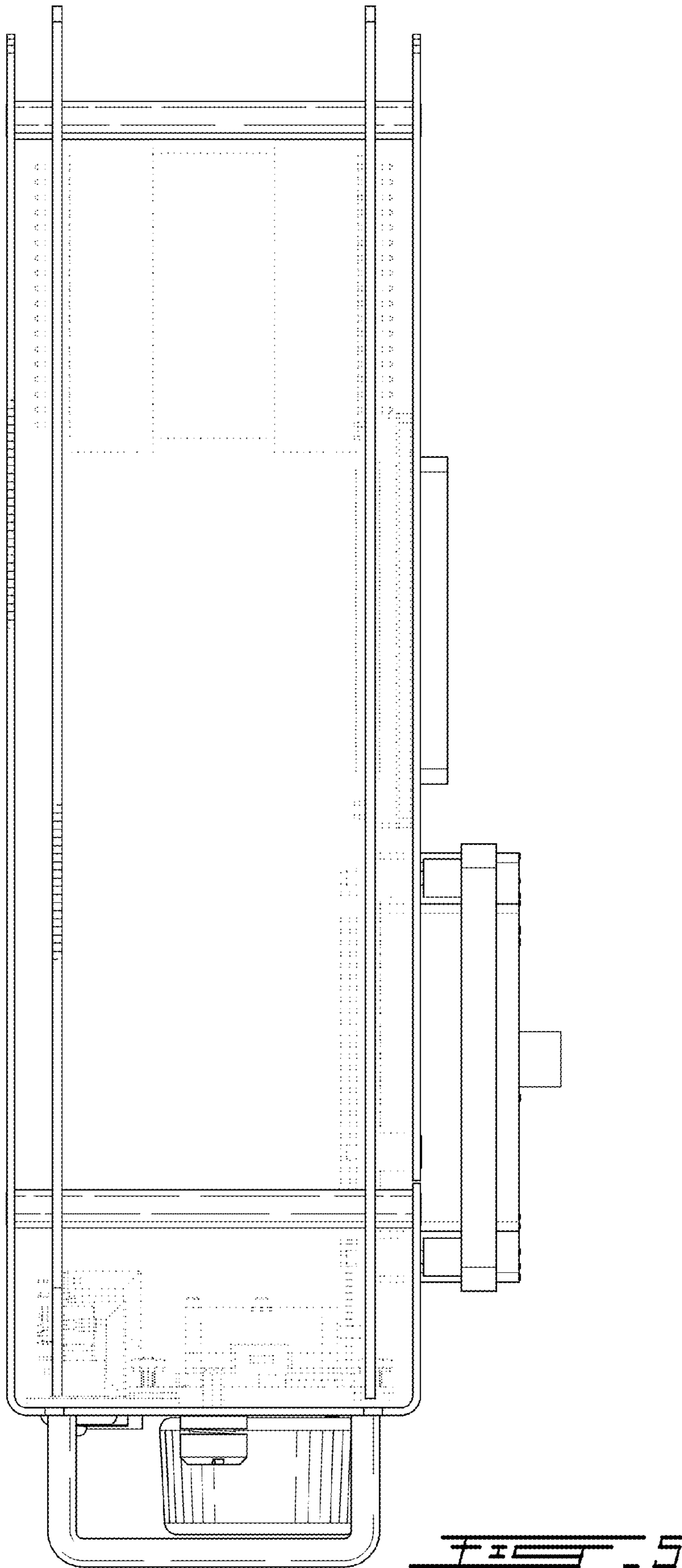
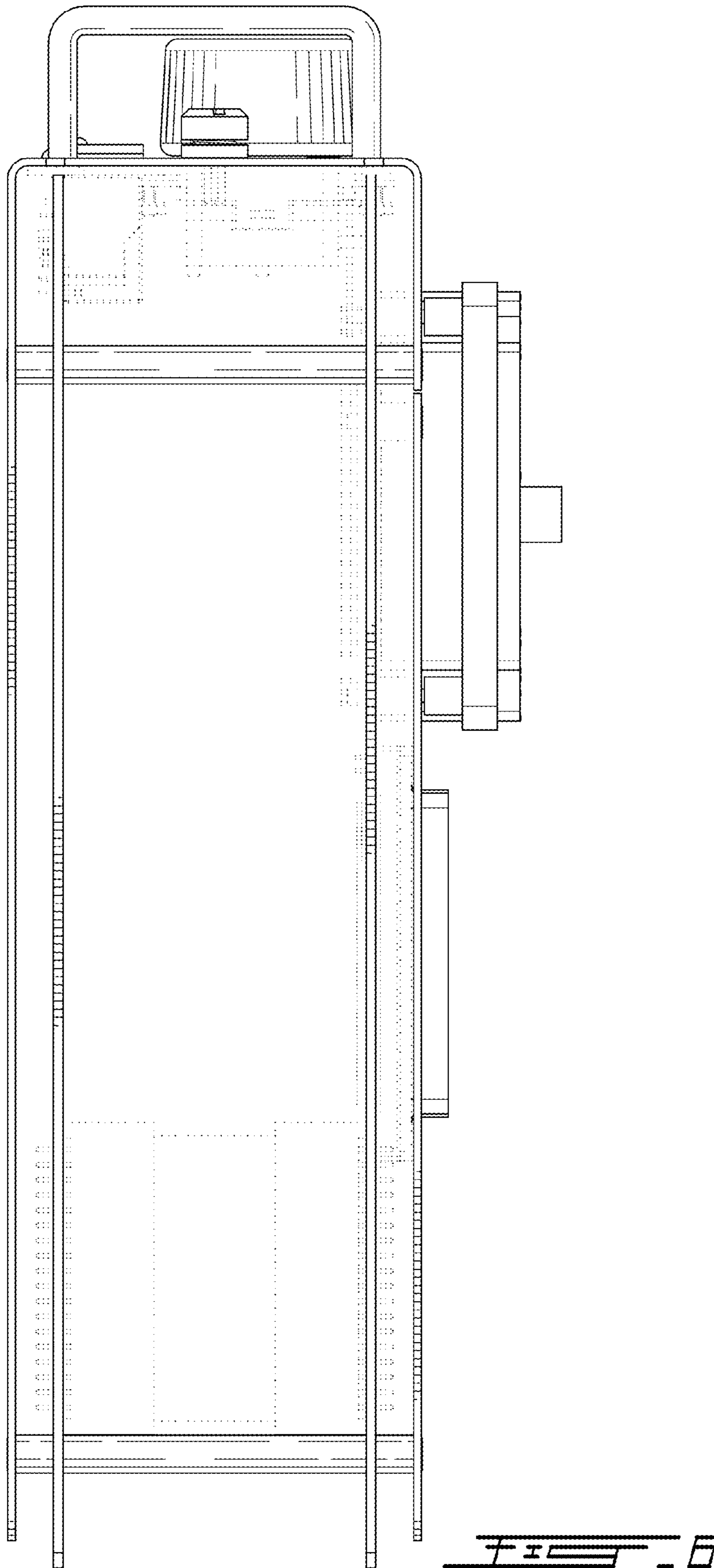
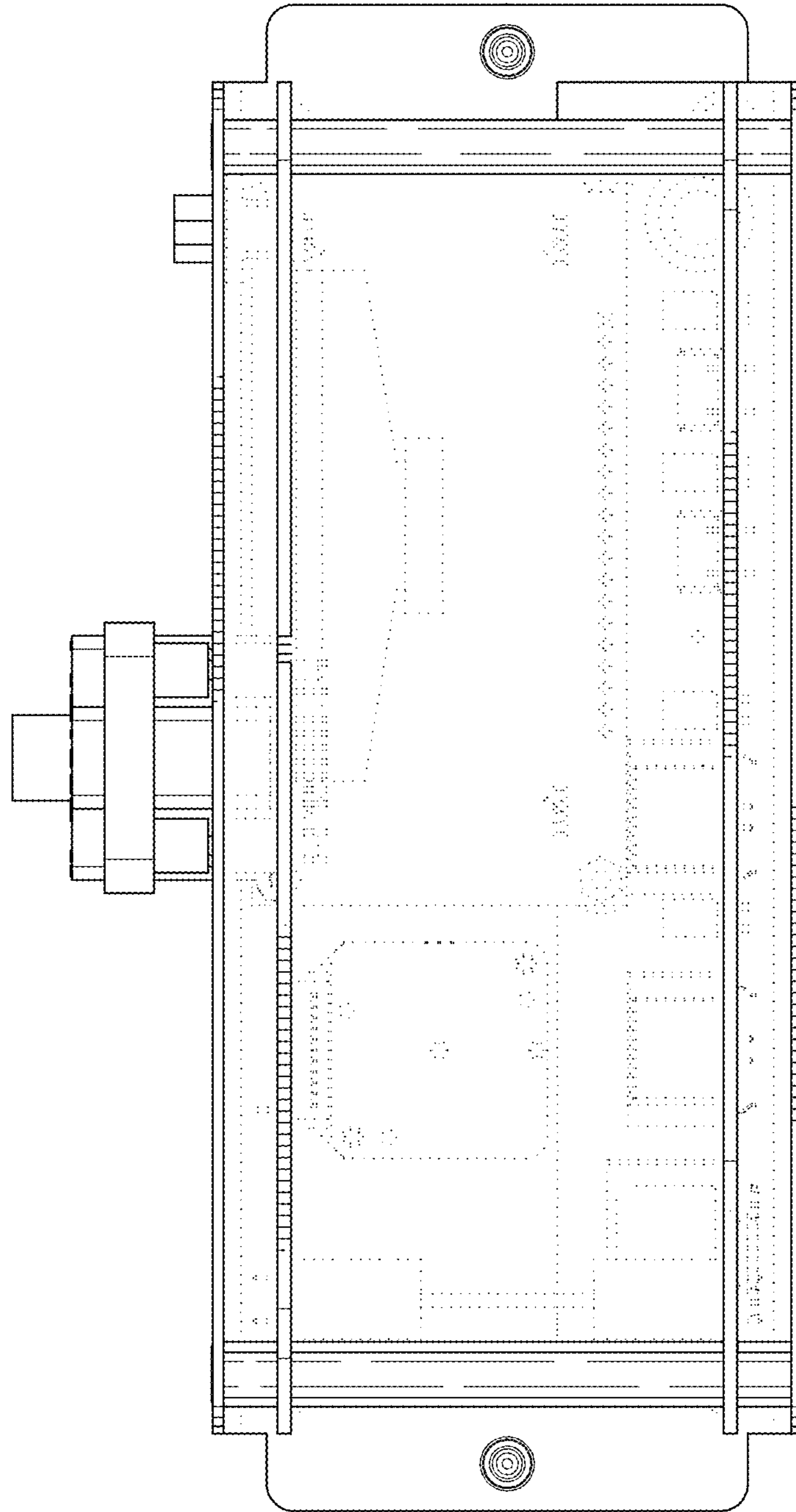


FIG. 5





*FIG. 7*