



US00D982511S

(12) **United States Design Patent** (10) **Patent No.:** **US D982,511 S**  
**Bonilla et al.** (45) **Date of Patent:** **\*\* Apr. 4, 2023**

(54) **CHARGE CENTER**  
 (71) Applicant: **Hubbell Incorporated**, Shelton, CT (US)

D710,797 S \* 8/2014 Awiszus ..... D13/107  
 D722,957 S \* 2/2015 Kotaniemi ..... D13/108  
 D736,703 S 8/2015 Kotaniemi  
 (Continued)

(72) Inventors: **Nelson Bonilla**, Shelton, CT (US);  
**Jason Walker**, Bethany, CT (US); **John Brower**, Fairfield, CT (US)

FOREIGN PATENT DOCUMENTS

EP 0926798 A1 6/1999

(73) Assignee: **Hubbell Incorporated**, Shelton, CT (US)

OTHER PUBLICATIONS

PCT/US2019/020011 International Search Report and Written Opinion dated May 2, 2019 (17 pages).

(\*\*) Term: **15 Years**

*Primary Examiner* — Rosemary K Tarcza

(21) Appl. No.: **29/717,010**

(74) *Attorney, Agent, or Firm* — Michael Best & Friedrich LLP

(22) Filed: **Dec. 13, 2019**

(57) **CLAIM**

(51) **LOC (14) Cl.** ..... **13-02**

We claim the ornamental design for a charge center, as shown and described.

(52) **U.S. Cl.**  
USPC ..... **D13/107**

**DESCRIPTION**

(58) **Field of Classification Search**  
 USPC ..... D13/107–110, 118–119, 184, 199;  
 D14/251, 253, 432, 434  
 CPC ..... H02J 7/025; H02J 7/005; H02J 7/0026;  
 H02J 7/0042; H02J 7/0044; H02J 7/0045;  
 H02J 7/0013; H02J 7/0003  
 See application file for complete search history.

FIG. 1 is a top perspective view of a charge center.  
 FIG. 2 is a top view of the charge center shown in FIG. 1.  
 FIG. 3 is a bottom view of the charge center shown in FIG. 1.  
 FIG. 4 is a first side view of the charge center shown in FIG. 1.  
 FIG. 5 is a second side view of the charge center shown in FIG. 1.  
 FIG. 6 is a rear view of the charge center shown in FIG. 1; and,  
 FIG. 7 is a front end view of the charge center shown in FIG. 1.

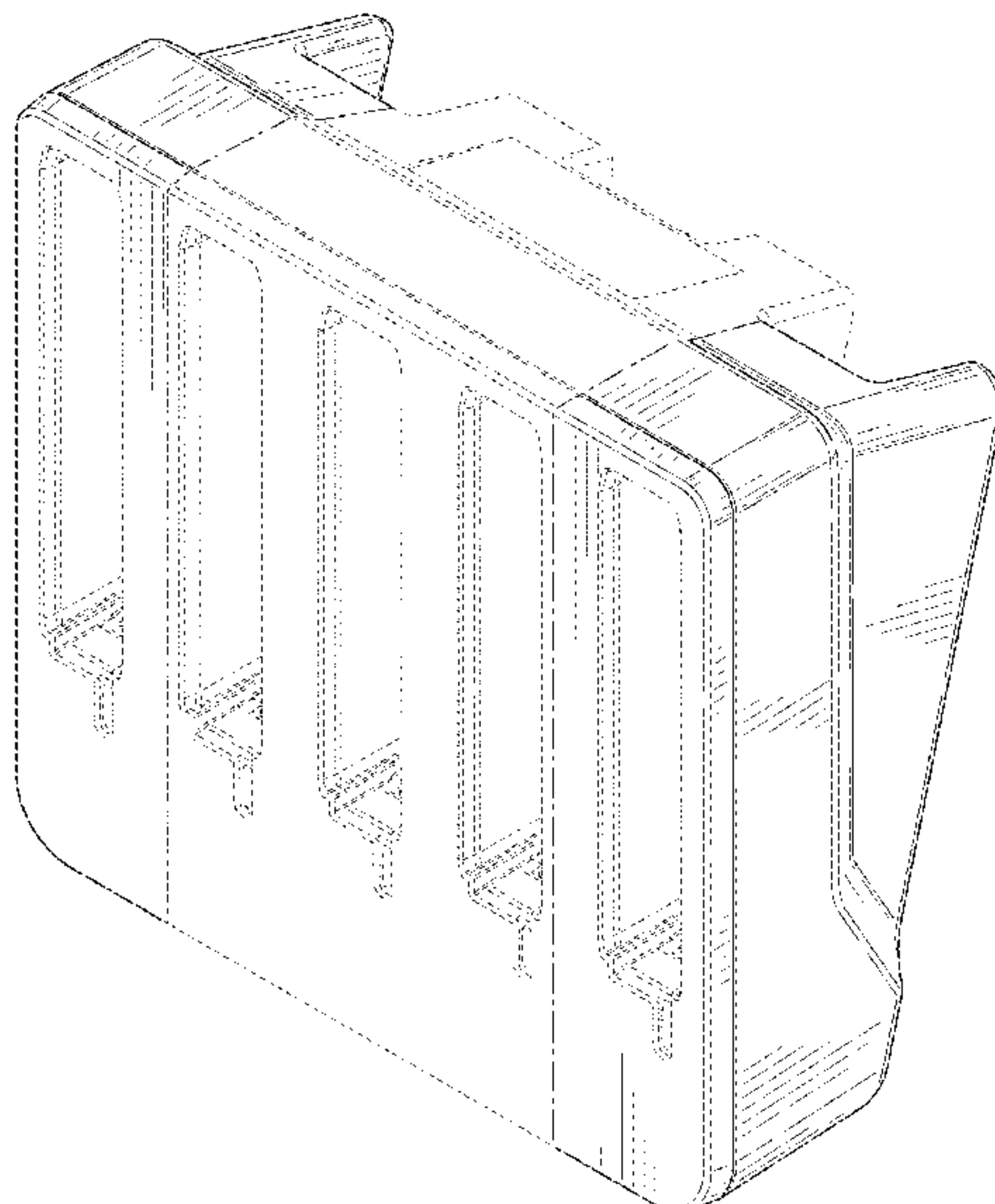
(56) **References Cited**

U.S. PATENT DOCUMENTS

D278,704 S \* 5/1985 Claxton ..... D13/107  
 D336,631 S \* 6/1993 Ivester ..... D13/108  
 D375,936 S \* 11/1996 Palatov ..... D13/108  
 6,326,767 B1 12/2001 Small et al.  
 D456,085 S 4/2002 O'Brien  
 D526,995 S \* 8/2006 Claxton ..... D13/108  
 D530,667 S \* 10/2006 Viduya ..... D13/107  
 D609,637 S \* 2/2010 Chu ..... D13/108  
 D609,638 S \* 2/2010 Biheller ..... D13/108  
 D647,907 S \* 11/2011 Perry ..... D14/434  
 D654,019 S \* 2/2012 Ikegame ..... D13/108  
 D680,066 S 4/2013 Kinoshita

The elements shown in evenly dashed broken lines are included for the purposes of illustrating environment and form no part of the claimed design. The elements shown in dash-dot broken lines are included for the purpose of illustrating the boundaries of the claim, and form no part of the claimed design.

**1 Claim, 7 Drawing Sheets**



(56)

**References Cited**

## U.S. PATENT DOCUMENTS

D743,884	S	*	11/2015	Kotaniemi	.....	D13/108
D755,122	S		5/2016	Gecawicz		
D761,729	S		7/2016	Leong		
D801,920	S		11/2017	Yoon		
D805,030	S		12/2017	Massar		
D823,792	S	*	7/2018	Komoni	.....	D13/107
D860,132	S		9/2019	Fu		
D866,460	S	*	11/2019	Komoni	.....	D13/108
D879,713	S	*	3/2020	Piper	.....	D13/108
D887,354	S	*	6/2020	Urasini	.....	D13/108
D894,906	S	*	9/2020	Li	.....	D14/434
D896,227	S	*	9/2020	Sjögren	.....	D16/237
D902,212	S	*	11/2020	Sjögren	.....	D16/242
D908,616	S	*	1/2021	Bonilla	.....	D13/108
D909,295	S	*	2/2021	Bonilla	.....	D13/108
D942,930	S	*	2/2022	Bonilla	.....	D13/107
2011/0121790	A1		5/2011	Brandon, II		
2011/0234153	A1		9/2011	Abramson		
2012/0249051	A1		10/2012	Son et al.		
2013/0274920	A1		10/2013	Abramson et al.		
2013/0328522	A1		12/2013	Brockman et al.		
2015/0123598	A1		5/2015	Tew et al.		
2015/0326061	A1		11/2015	Davison et al.		
2016/0088482	A1		3/2016	Zeiler et al.		

\* cited by examiner

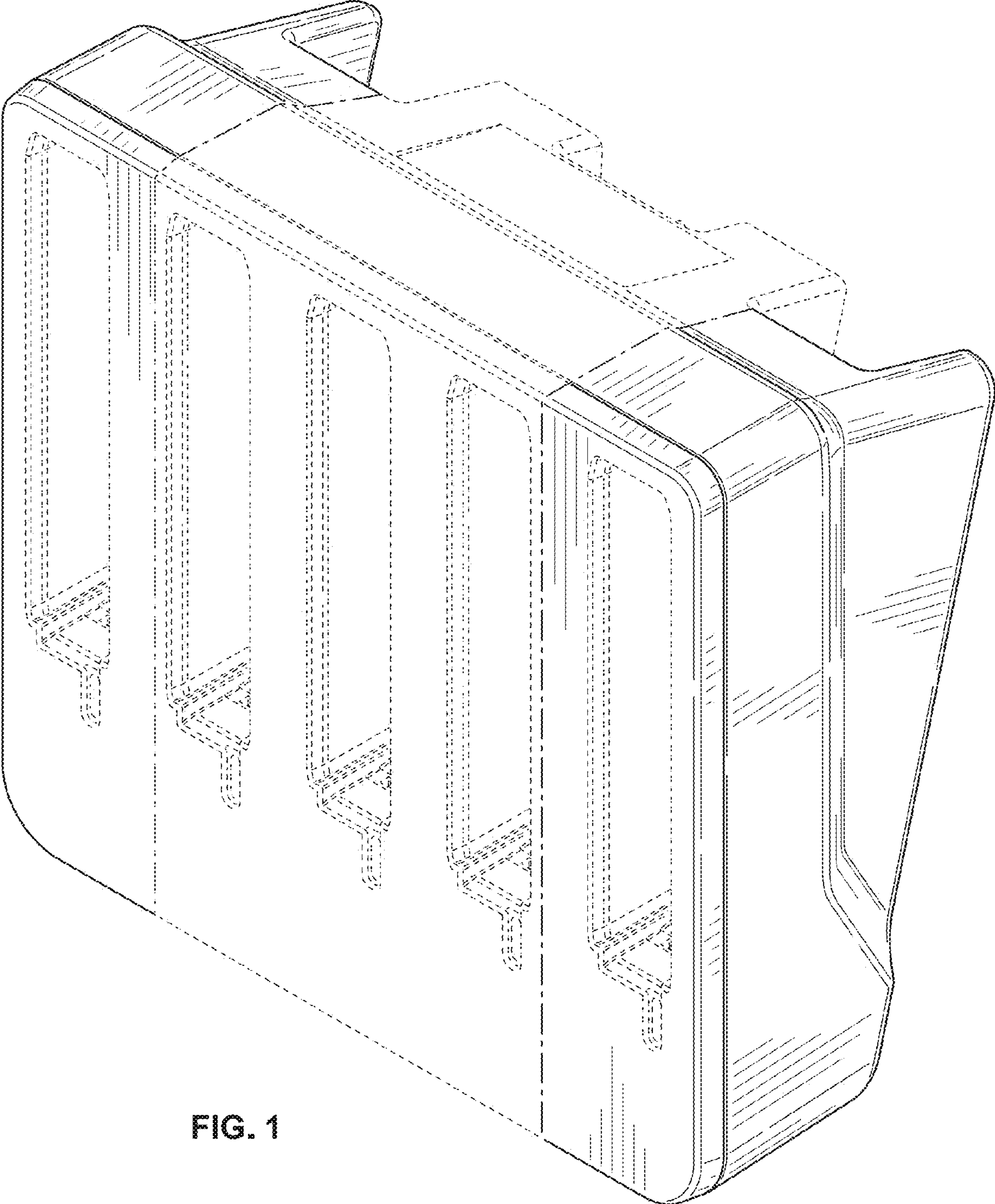


FIG. 1



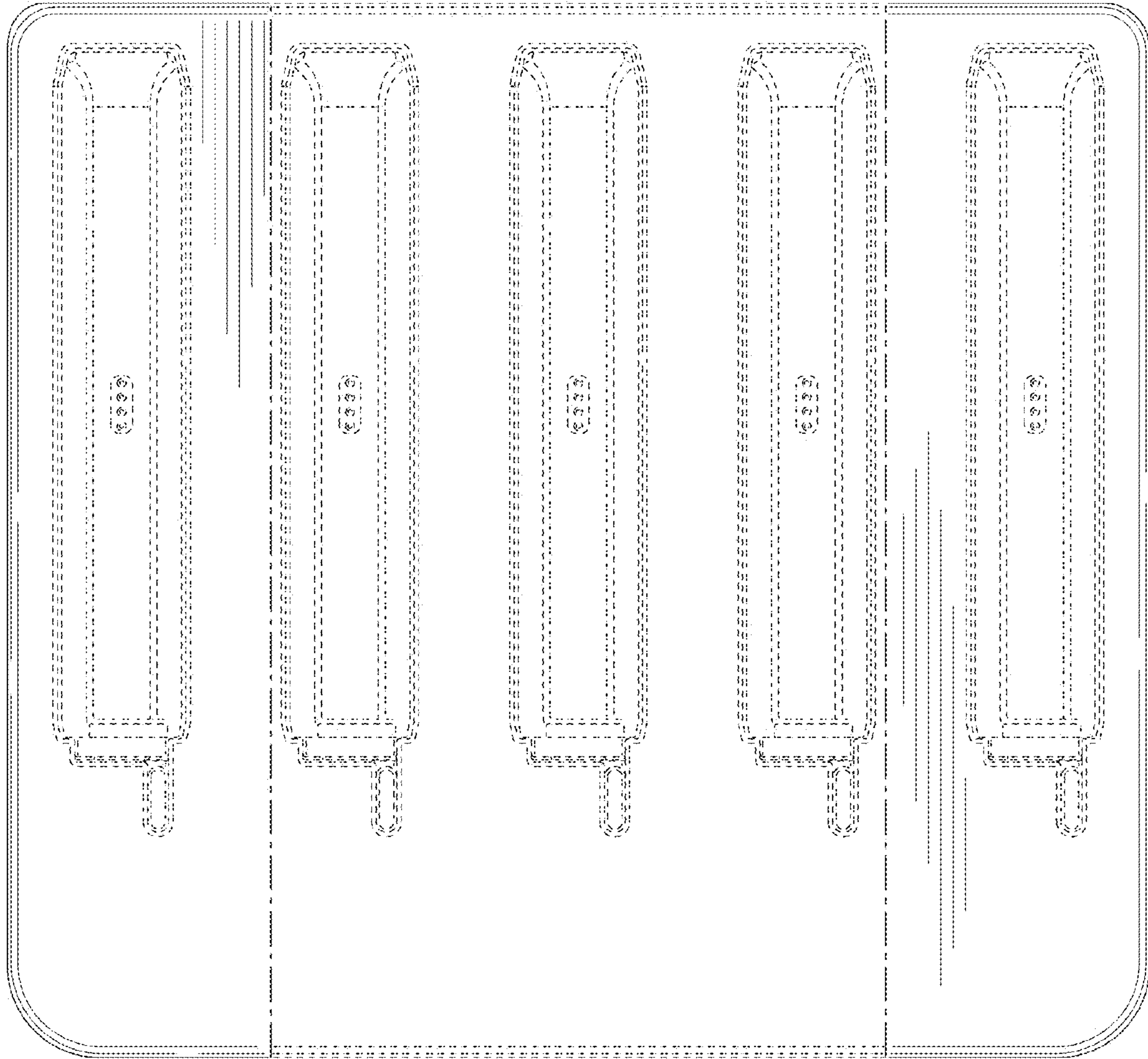


FIG. 2

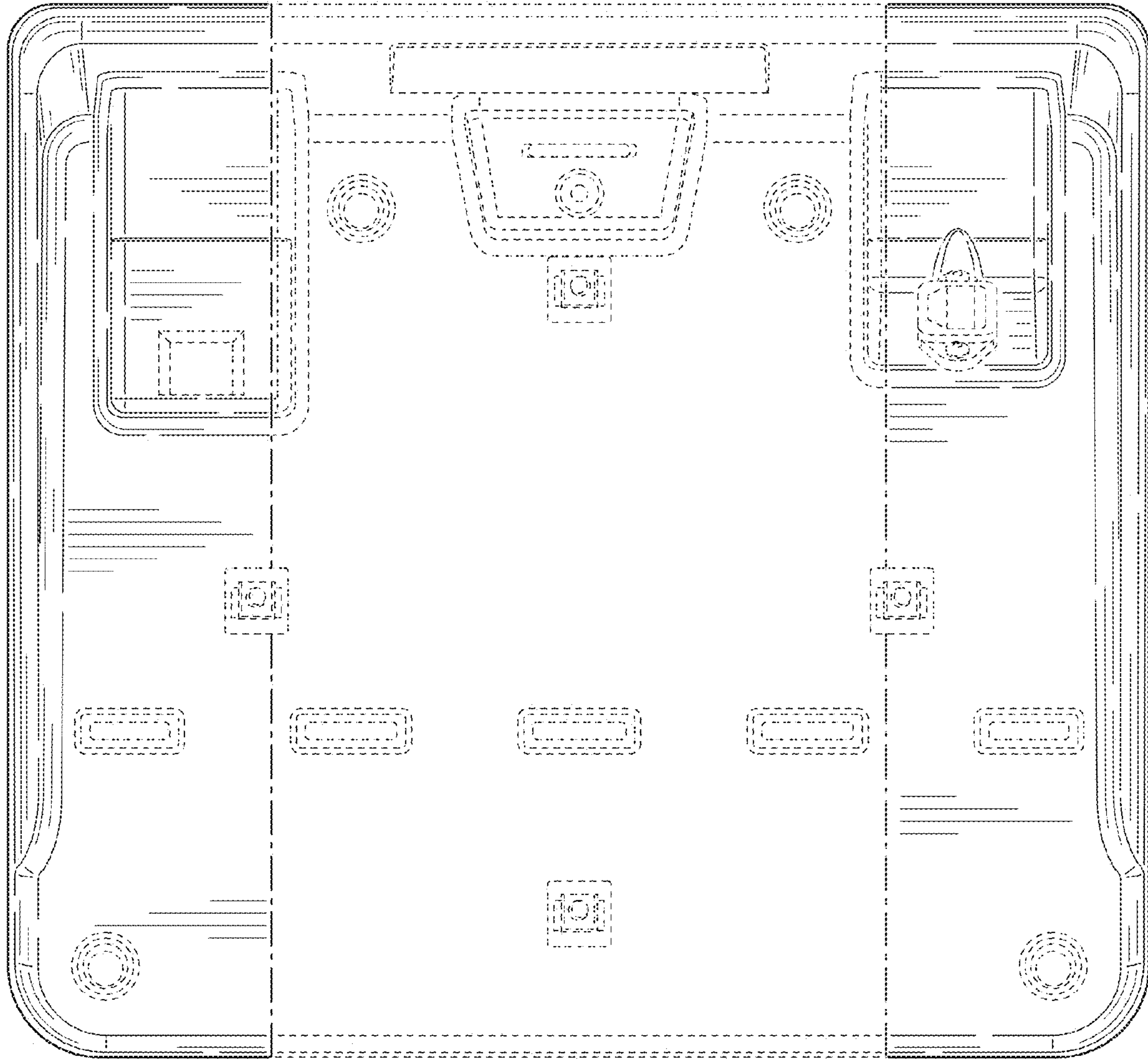


FIG. 3

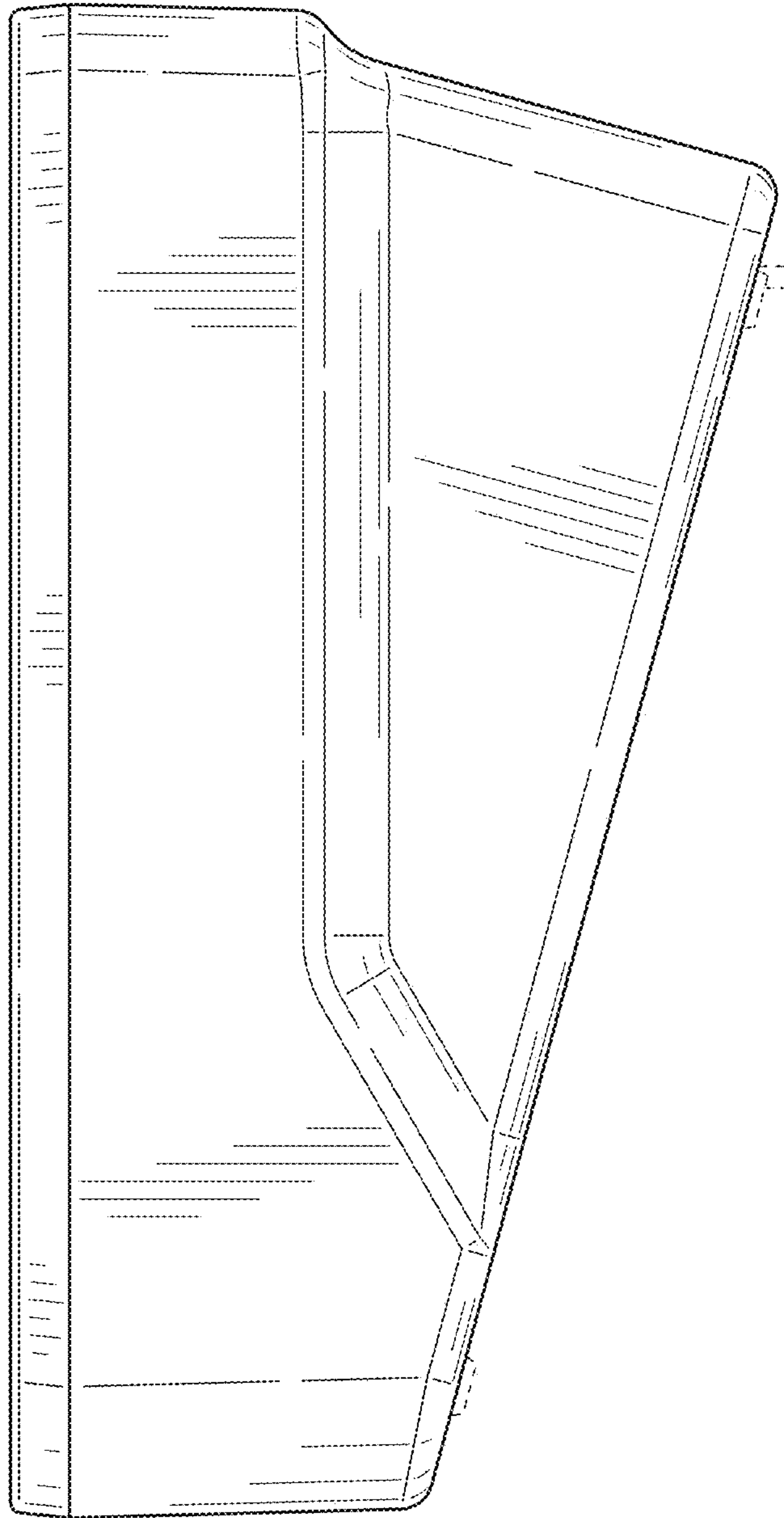


FIG. 4

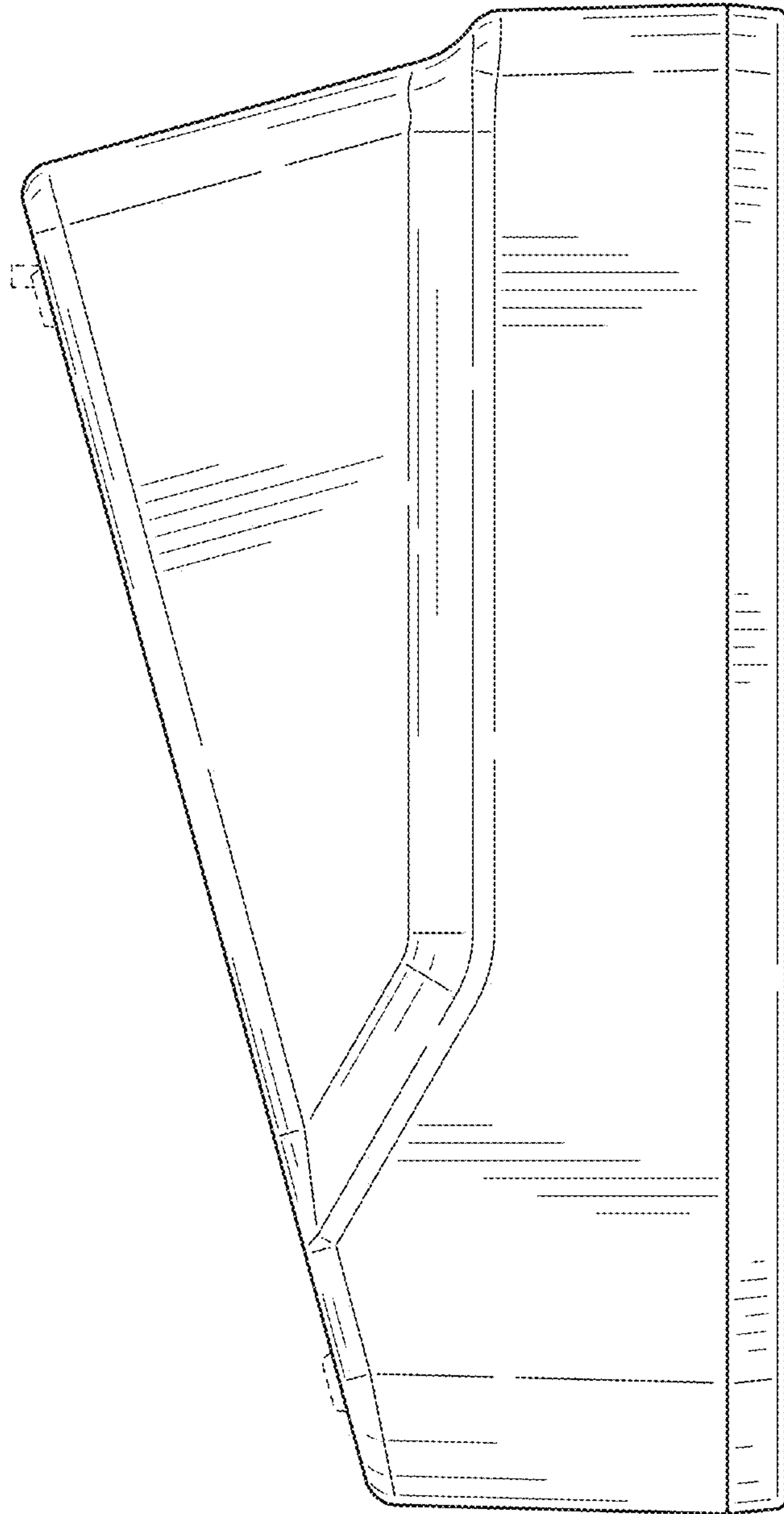


FIG. 5

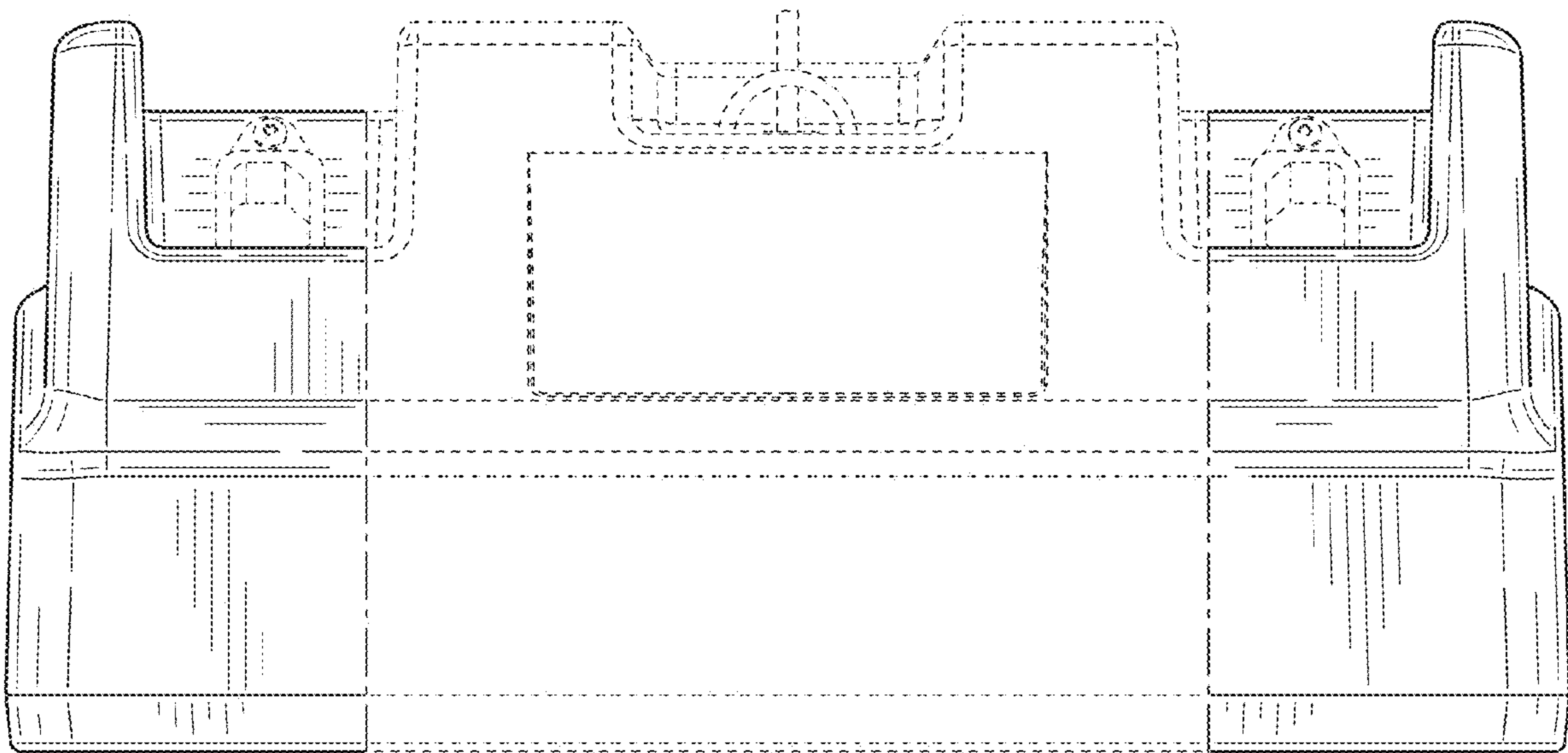


FIG. 6



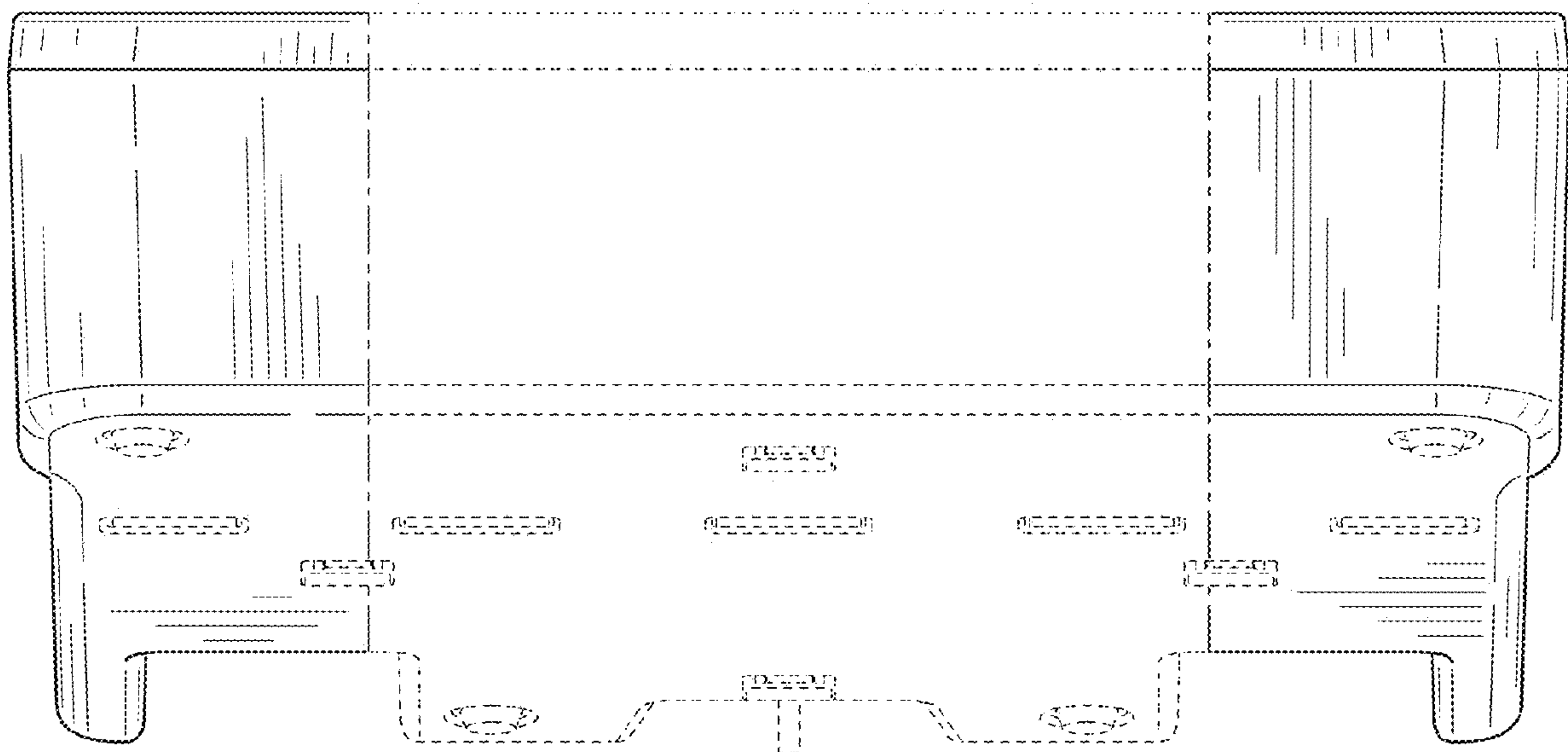


FIG. 7