



US00D982510S

(12) **United States Design Patent**
Harber et al.

(10) **Patent No.:** **US D982,510 S**

(45) **Date of Patent:** **** Apr. 4, 2023**

(54) **CHARGER**

(71) Applicant: **Fitbit, Inc.**, San Francisco, CA (US)

(72) Inventors: **Chadwick John Harber**, San Francisco, CA (US); **Benjamin Patrick Robert Jean Riot**, San Francisco, CA (US); **Brian Dennis Paschke**, San Francisco, CA (US); **Anthony Gerald Kern**, Pleasant Hill, CA (US); **Thomas Consolazio**, San Francisco, CA (US); **Cédric Eric Jean-Edouard Bernard**, San Francisco, CA (US)

(73) Assignee: **Fitbit, Inc.**, San Francisco, CA (US)

(**) Term: **15 Years**

(21) Appl. No.: **29/683,052**

(22) Filed: **Mar. 11, 2019**

(51) **LOC (14) Cl.** **13-02**

(52) **U.S. Cl.**
USPC **D13/107**

(58) **Field of Classification Search**

USPC D13/102–110, 118, 119, 153, 154, 184, D13/199; D14/252, 253
CPC Y02E 60/10; Y02E 60/12; Y02E 60/122; Y02E 60/124; Y02E 60/50; H01M 2/02; H01M 2/022; H01M 2/0202; H01M 2/0207; H01M 2/0212; H01M 2/1061; H01M 2/1022; H01M 2/1055; H01M 2/1066; H01M 2/105; H01M 2/20; H01M 2/202; H01M 2/204; H01M 2/206; H01M 2200/30; H01M 2250/30; H01M 2250/40; H01M 10/44; H01M 10/46; H01M 10/465; H01M 10/482; H01M 10/4257; H01M 10/0436; H01M 10/48; H02J 7/0034; H02J 7/0054; H02J 7/1423; H02J 7/00; H02J 7/0003; H02J 7/0011; H02J 7/0013; H02J 7/0055; H02J 7/0057; Y02T 10/7005; Y02T 10/705; Y02T 10/7088

See application file for complete search history.

(56) **References Cited**

U.S. PATENT DOCUMENTS

D297,827 S 9/1988 Lay
D350,545 S 9/1994 Olkkola et al.
D417,431 S 12/1999 Okura et al.
D422,556 S 4/2000 Okura et al.

(Continued)

OTHER PUBLICATIONS

Fitbit Ace charging cable—<https://www.fitbit.com/shop/accessories/ace-charging-cable>. On sale 2018. Website accessed Mar. 27, 2019.

(Continued)

Primary Examiner — Christy Nemeth

(74) *Attorney, Agent, or Firm* — Leason Ellis LLP

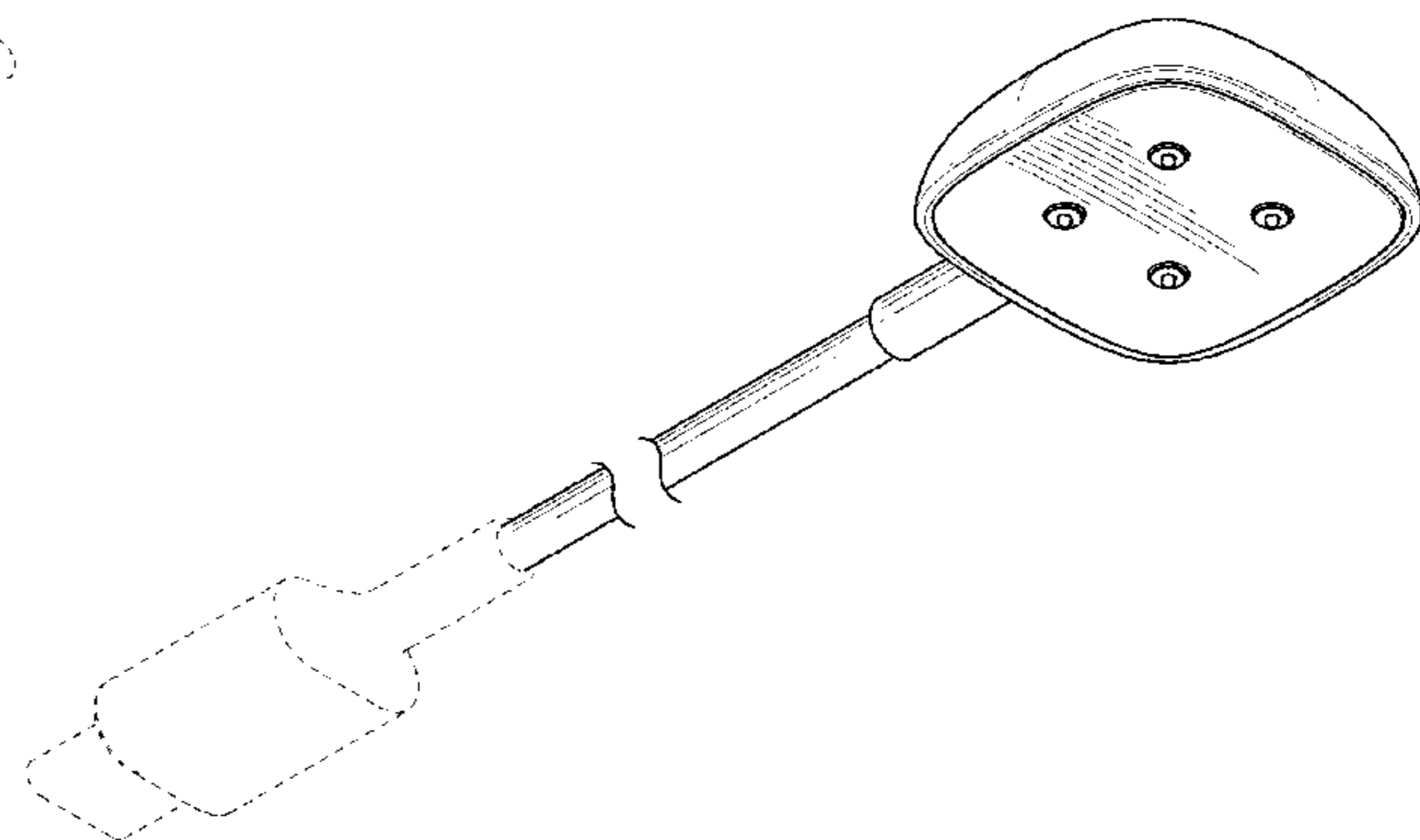
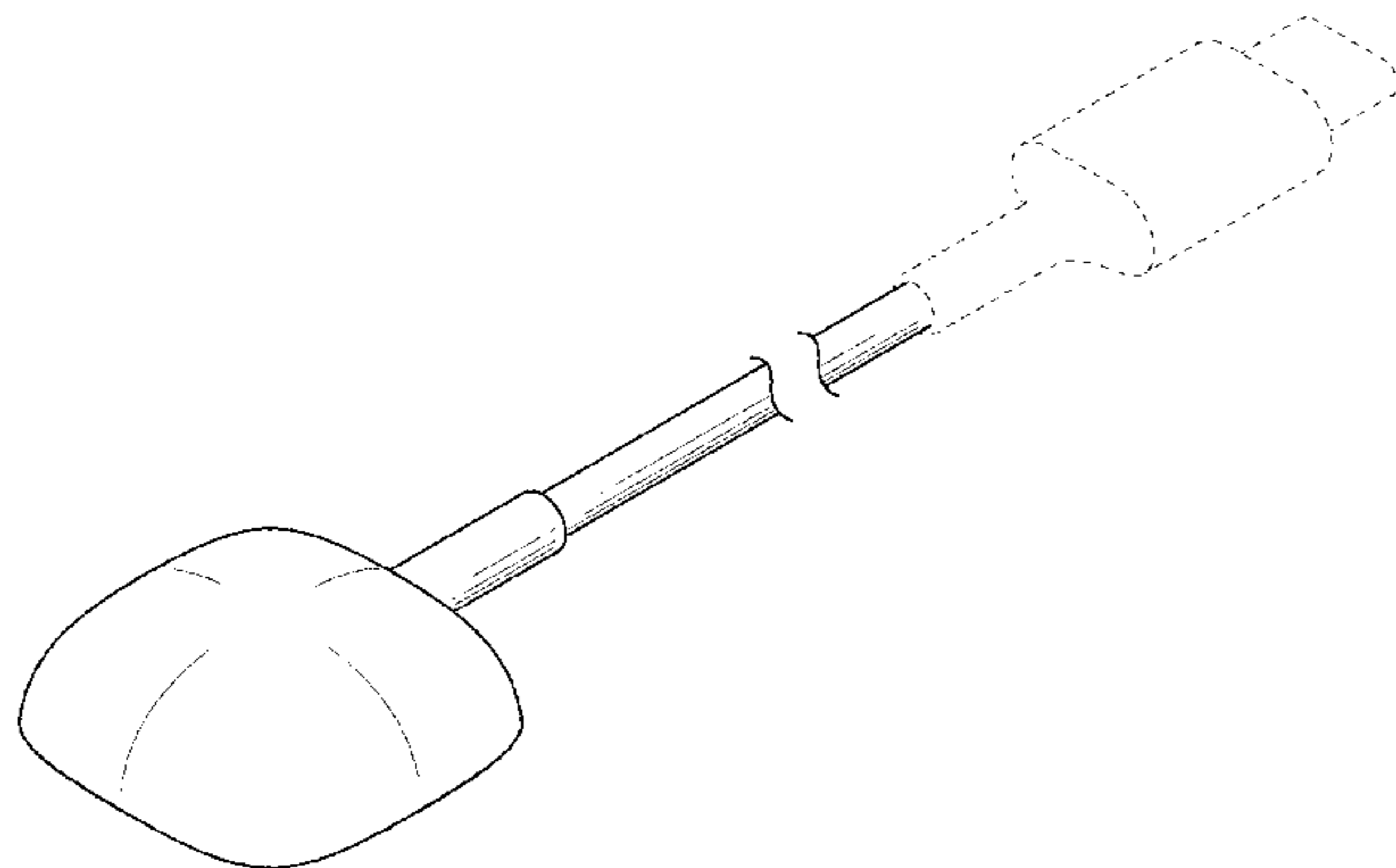
(57) **CLAIM**

The ornamental design for a charger, as shown and described.

DESCRIPTION

FIG. 1 is a top side isometric view of our new design for a charger.
FIG. 2 is a bottom side isometric view thereof.
FIG. 3 is a front side elevation view thereof.
FIG. 4 is a back side elevation view thereof.
FIG. 5 is a left side elevation view thereof.
FIG. 6 is a right side elevation view thereof.
FIG. 7 is a top side plan view thereof; and,
FIG. 8 is a bottom side plan view thereof.
The broken lines in the drawings are for the purpose of illustrating portions of the charger that form no part of the claimed design. The charger is shown with symbolic breaks in its length. The appearance of any portion of the charger between the break lines forms no part of the claimed design.

1 Claim, 5 Drawing Sheets



(56)

References Cited

U.S. PATENT DOCUMENTS

D428,597 S 7/2000 Murata et al.
 D442,939 S 5/2001 Goldenburg
 D455,713 S 4/2002 Forakis
 D471,547 S 3/2003 Ruohonen
 D477,823 S 7/2003 Lavello, Sr.
 D516,023 S 2/2006 Quinn
 D520,448 S 5/2006 Lodato et al.
 D529,905 S 10/2006 Richter
 D530,713 S 10/2006 Richter
 D535,614 S 1/2007 Majanen et al.
 D558,193 S 12/2007 Ju
 7,311,526 B2 12/2007 Rohrbach et al.
 D580,855 S 11/2008 Haspil et al.
 D621,347 S 8/2010 Aulwes et al.
 D630,582 S 1/2011 Dai et al.
 D635,874 S 4/2011 Tseng et al.
 D637,155 S 5/2011 Jeon et al.
 D665,501 S 8/2012 Shibata et al.
 D673,952 S 1/2013 Toda et al.
 D680,491 S 4/2013 Paschke et al.
 D690,137 S 9/2013 Kikkert et al.
 D690,707 S 10/2013 Minn et al.
 D704,634 S * 5/2014 Eidelman D13/108
 D715,790 S 10/2014 Conomos et al.
 D720,759 S 1/2015 Deng et al.
 D723,459 S 3/2015 Dang et al.
 D725,285 S 3/2015 Wohlstadter et al.
 D727,877 S 4/2015 Seoc
 D733,142 S 6/2015 Solomon et al.
 D734,272 S * 7/2015 Dang D13/153
 D740,262 S 10/2015 Hasegawa et al.
 D761,262 S 7/2016 Solomon et al.
 D766,236 S 9/2016 Solomon et al.
 D766,747 S 9/2016 Repp
 D766,908 S 9/2016 Richter
 D770,416 S 11/2016 Tkachuk et al.
 D775,627 S 1/2017 Yang et al.
 D776,656 S 1/2017 Lagerstedt et al.
 D780,743 S 3/2017 Chun
 D784,923 S 4/2017 Song
 D786,200 S 5/2017 Lagerstedt et al.
 D791,696 S 6/2017 Tinius
 D799,203 S 10/2017 Karl, IV et al.
 D800,060 S 10/2017 Solland et al.
 D816,046 S 4/2018 Kiong et al.
 D818,439 S * 5/2018 Kim D13/153
 D825,546 S 8/2018 Fan
 D829,652 S 10/2018 King et al.
 D832,306 S 10/2018 Liao
 D833,971 S 11/2018 Yun
 D836,541 S * 12/2018 Lomeli D13/107
 D845,960 S 4/2019 Yao et al.
 D847,801 S 5/2019 Wengreen
 D854,006 S 7/2019 Wang et al.
 D875,674 S * 2/2020 Smigel D13/108
 D894,121 S * 8/2020 Lomeli D27/194

D908,620 S * 1/2021 Akana D13/108
 D935,402 S * 11/2021 Qiu D13/108
 D936,576 S * 11/2021 Joung D13/108
 2016/0380446 A1 12/2016 Loewen

OTHER PUBLICATIONS

Fitbit Ace 2 charging cable—<https://www.fitbit.com/shop/accessories/inspire-ace2-charging-cable>. On sale Mar. 2019. Website accessed Mar. 27, 2019.
 Fitbit Alta charging cable—<https://www.fitbit.com/shop/accessories/alta-charging-cable>. On sale Feb. 2016. Website accessed Mar. 27, 2019.
 Fitbit Alta HR charging cable—<https://www.fitbit.com/shop/accessories/altahr-charging-cable>. On sale Mar. 2017. Website accessed Mar. 27, 2019.
 Fitbit Blaze charging cable—<https://www.fitbit.com/shop/accessories/blaze-charging-cable>. On sale Jan. 2016. Website accessed Mar. 27, 2019.
 Fitbit Charge charging cable—<https://www.fitbit.com/shop/accessories/charge-charging-cable>. On sale Nov. 2014. Website accessed Mar. 27, 2019.
 Fitbit Charge2 charging cable—<https://www.fitbit.com/shop/accessories/charge2-charging-cable>. On sale 2016. Website accessed Mar. 27, 2019.
 Fitbit Charge3 charging cable—<https://www.fitbit.com/shop/accessories/charge3-charging-cable>. On sale 2018. Website accessed Mar. 27, 2019.
 Fitbit ChargeHR charging cable—<https://www.fitbit.com/shop/accessories/chargehr-charging-cable>. On sale Jan. 2015. Website accessed Mar. 27, 2019.
 Fitbit Flex charging cable—<https://www.fitbit.com/shop/accessories/flex-charging-cable>. On sale May 2013. Website accessed Mar. 27, 2019.
 Fitbit Flex 2 charging cable—<https://www.fitbit.com/shop/accessories/flex2-charging-cable>. On sale Oct. 2016. Website accessed Mar. 27, 2019.
 Fitbit Ionic charging cable—<https://www.fitbit.com/shop/accessories/ionic-charging-cable>. On sale Sep. 2017. Website accessed Mar. 27, 2019.
 Fitbit One charging cable—<https://www.fitbit.com/shop/accessories/one-charging-cable>. On sale Sep. 2012. Website accessed Mar. 27, 2019.
 Fitbit Surge charging cable—<https://www.fitbit.com/shop/accessories/surge-charging-cable>. On sale Oct. 2014. Website accessed Mar. 27, 2019.
 Fitbit Versa charging cable—<https://www.fitbit.com/shop/accessories/versa-charging-cable>. On sale Apr. 2018. Website accessed Mar. 27, 2019.
 Design U.S. Appl. No. 29/656,560, filed Jul. 13, 2018.
 Design U.S. Appl. No. 29/663,874, filed Sep. 19, 2018.
 Design U.S. Appl. No. 29/627,003, filed Mar. 11, 2019.
 Design U.S. Appl. No. 29/630,648, filed Dec. 21, 2017.
 Design U.S. Appl. No. 29/630,650, filed Dec. 21, 2017.

* cited by examiner

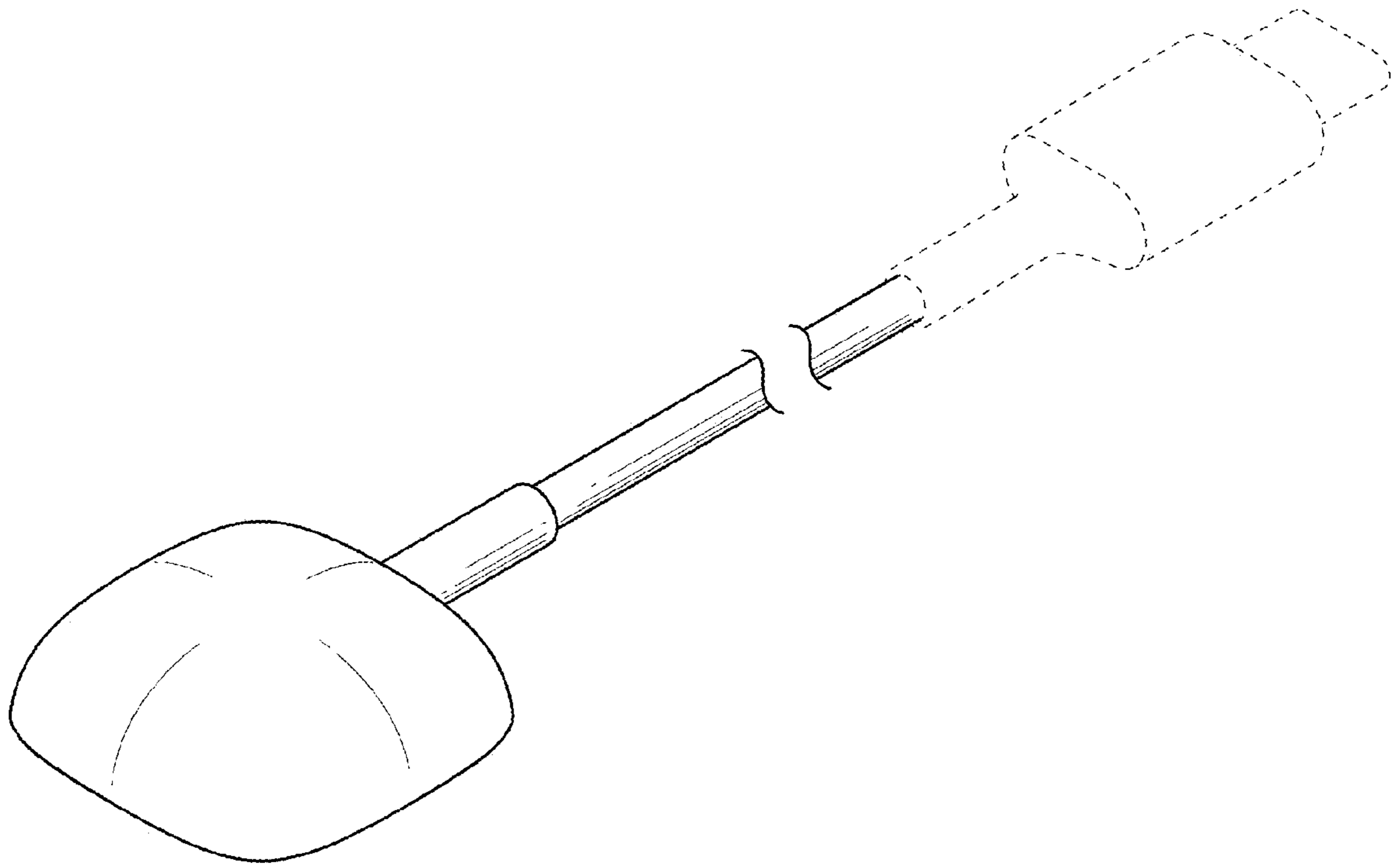


FIG. 1

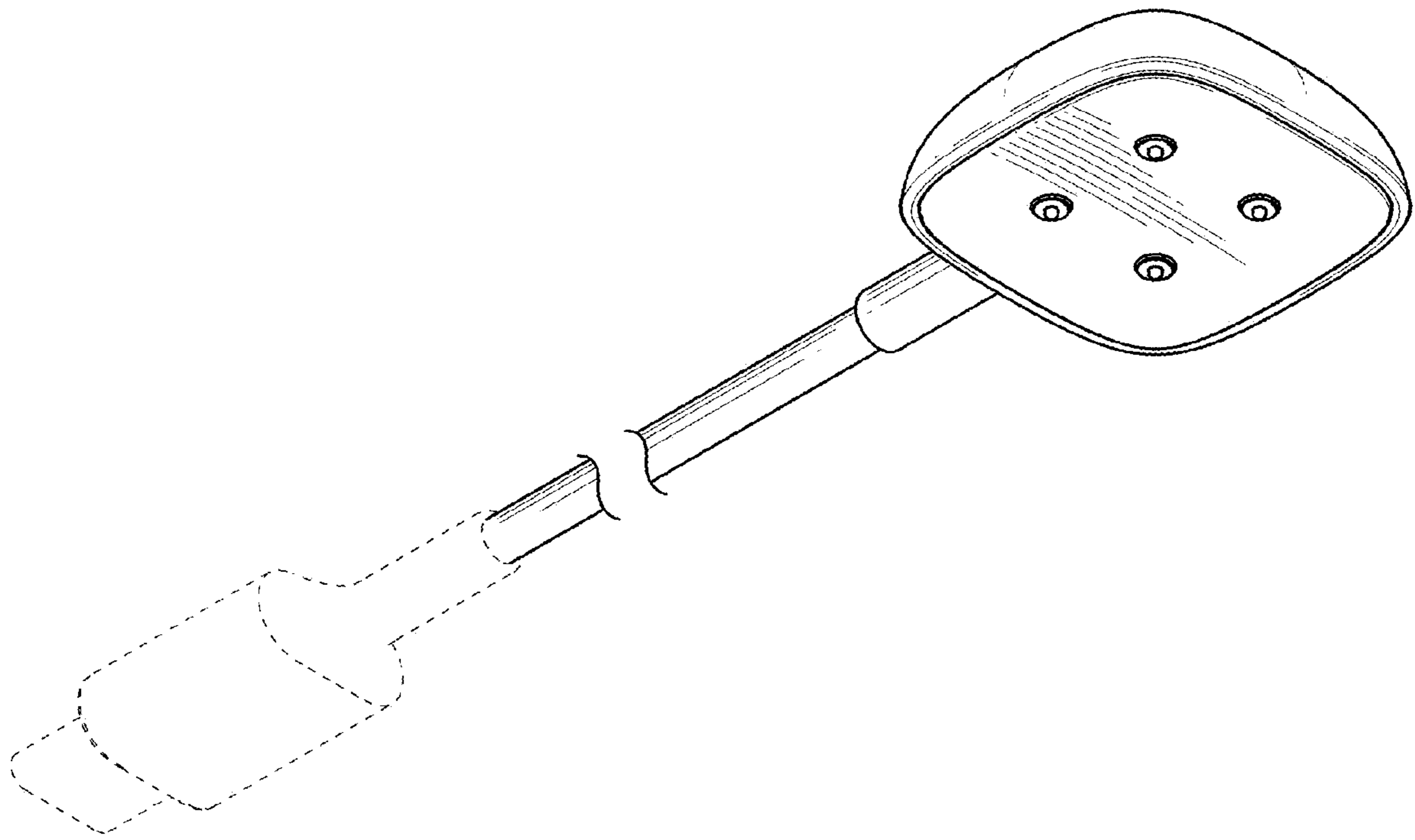


FIG. 2



FIG. 3

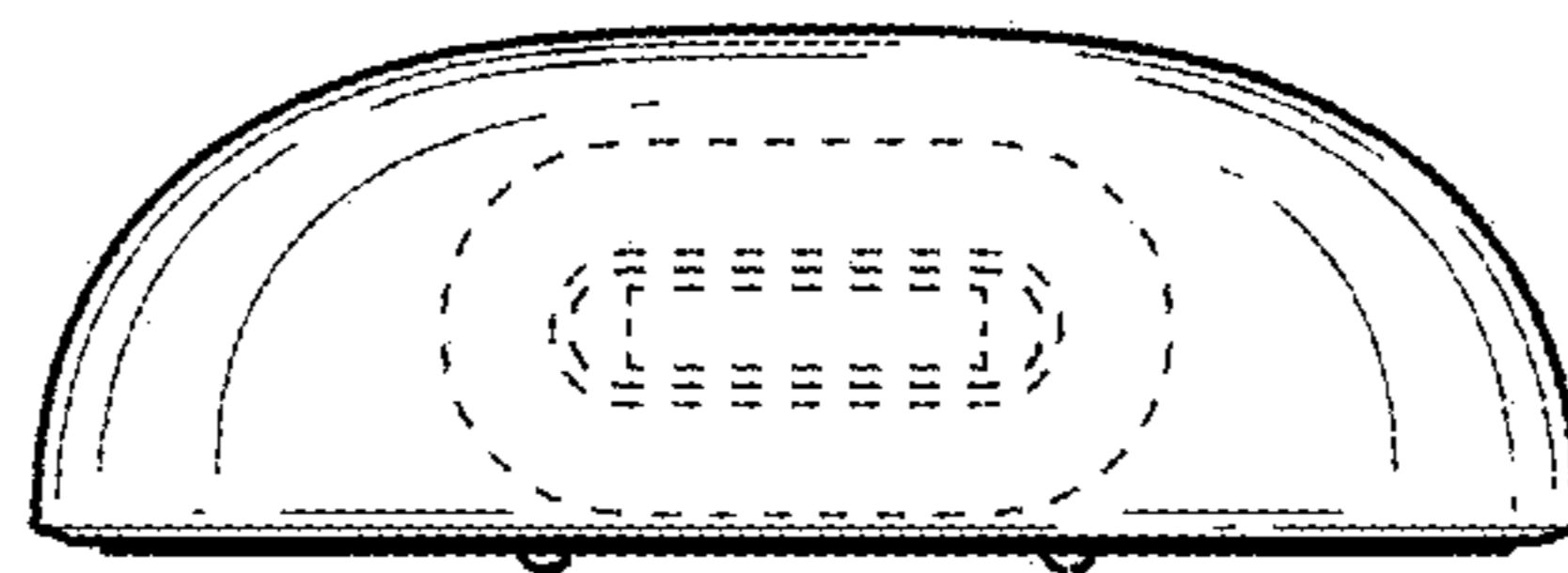


FIG. 4

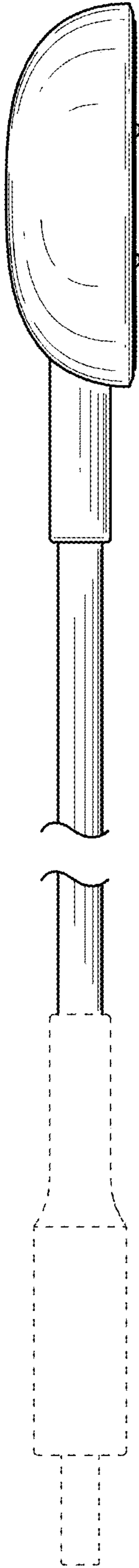


FIG. 5

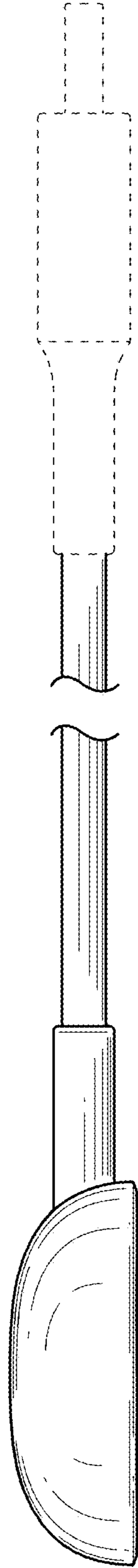


FIG. 6

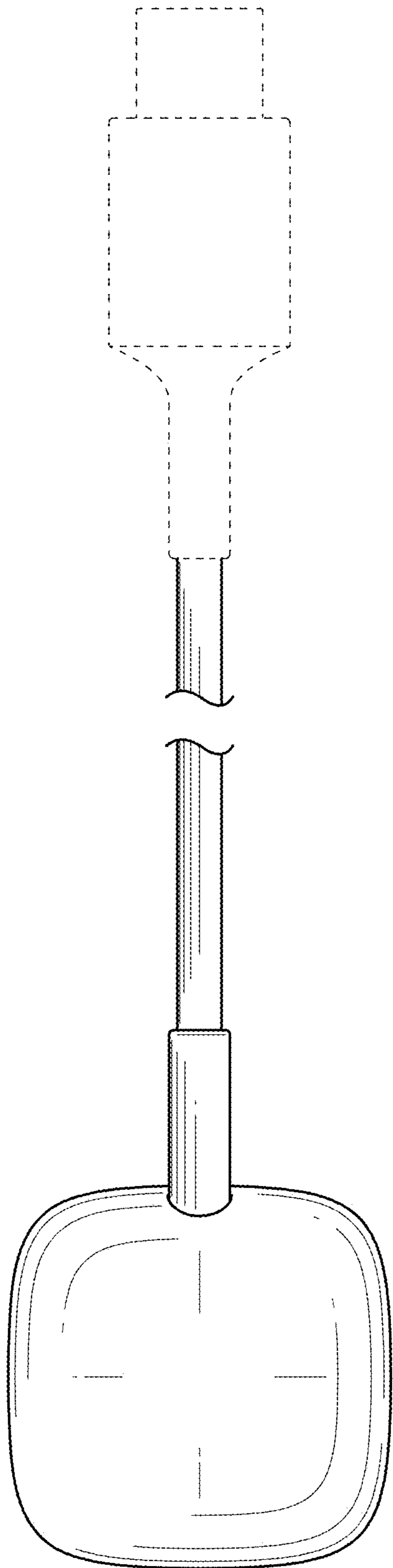


FIG. 7

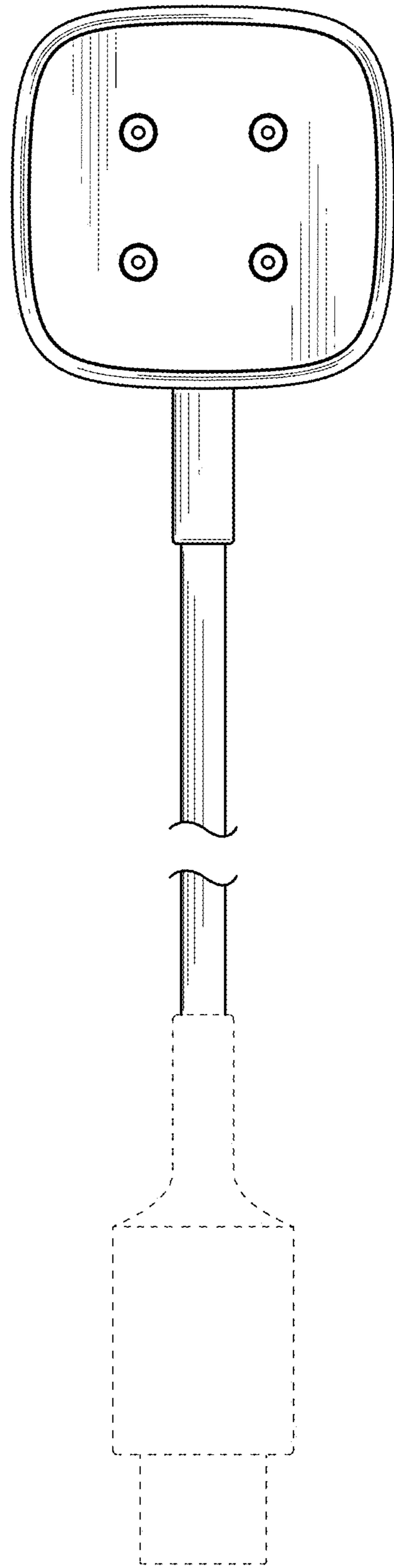


FIG. 8