



US00D982509S

(12) **United States Design Patent**
Thorne

(10) **Patent No.:** **US D982,509 S**

(45) **Date of Patent:** **** Apr. 4, 2023**

(54) **CONNECTOR FOR SOLAR PANEL**

(56) **References Cited**

(71) Applicant: **SimpliSafe, Inc.**, Boston, MA (US)

U.S. PATENT DOCUMENTS

(72) Inventor: **Scott Joseph Thorne**, Allston, MA (US)

| | | | | | | |
|----------|---|---|--------|-----------|-------|---------|
| D559,193 | S | * | 1/2008 | Stavoe | | D13/133 |
| D643,371 | S | * | 8/2011 | Svelnis | | D13/154 |
| D659,098 | S | * | 5/2012 | Svelnis | | D13/151 |
| D686,978 | S | * | 7/2013 | Nicholson | | D13/102 |
| D735,671 | S | * | 8/2015 | Kuhnert | | D13/146 |
| D798,231 | S | * | 9/2017 | Duenser | | D13/102 |

(73) Assignee: **SimpliSafe, Inc.**, Boston, MA (US)

(**) Term: **15 Years**

* cited by examiner

(21) Appl. No.: **29/785,502**

Primary Examiner — Derrick E Holland

(22) Filed: **May 26, 2021**

(74) *Attorney, Agent, or Firm* — Wolf, Greenfield & Sacks, P.C.

(51) **LOC (14) Cl.** **13-02**

(57) **CLAIM**

(52) **U.S. Cl.**

The ornamental design for a connector for solar panel, as shown and described.

USPC **D13/102**

DESCRIPTION

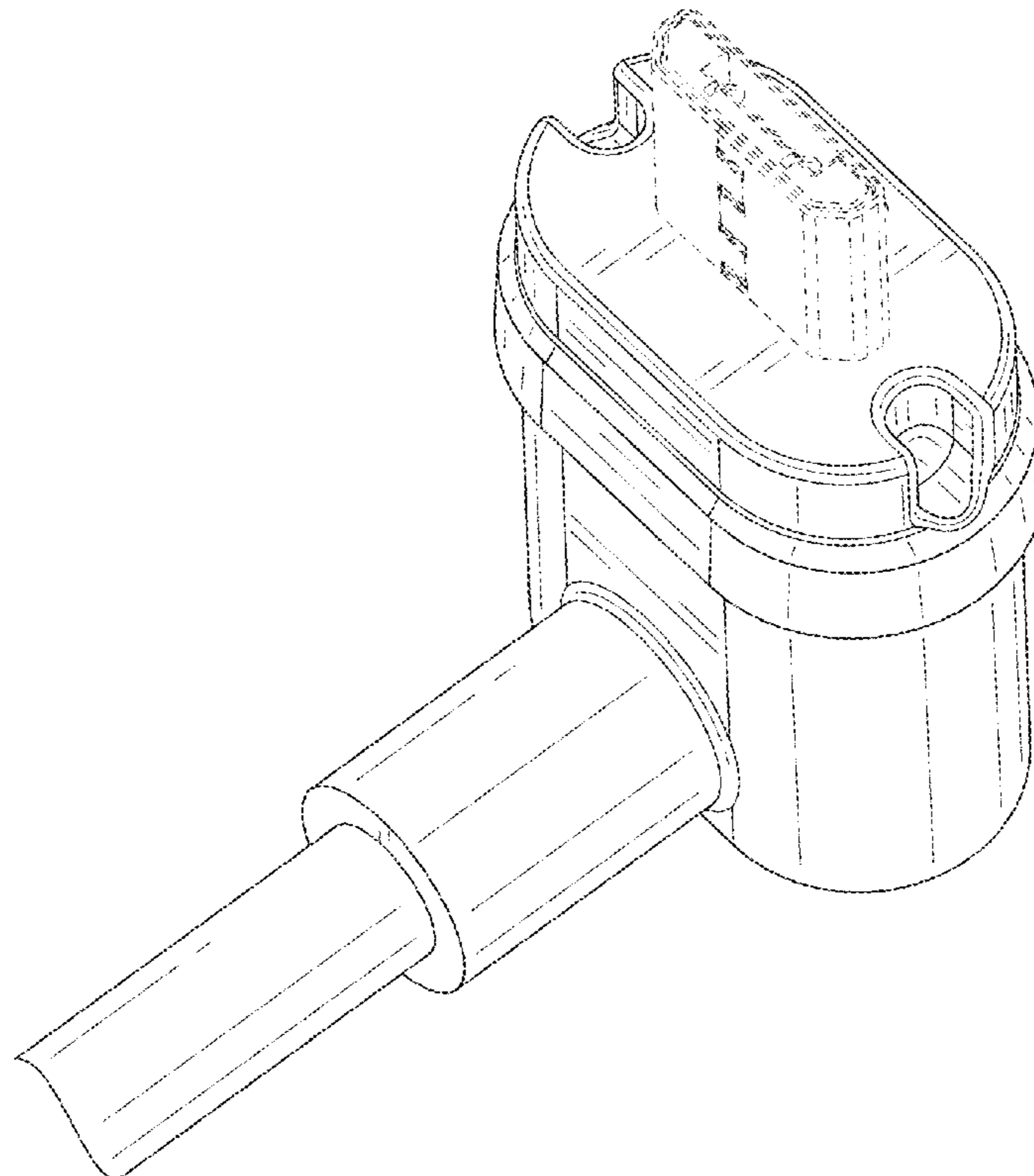
(58) **Field of Classification Search**

USPC D13/102, 101, 103, 107, 108, 110, 118, D13/133, 154, 184, 199

CPC H01L 31/00; H01L 31/18; H01L 31/042; H01L 31/045; H01L 31/048; H01L 31/052; H01L 31/054; H01L 31/0475; H01L 31/0485; H01M 10/052; H01M 10/465; H02S 30/10; H02S 30/20; H02S 20/30; H02S 40/10; H02S 40/42; Y02E 10/50; Y02E 10/52; Y02E 10/56; Y10S 136/291; Y10S 136/293; H02J 7/35; H02J 7/355; G06F 1/1628; F21S 8/006; F21V 21/06; F21V 21/12

See application file for complete search history.

1 Claim, 7 Drawing Sheets



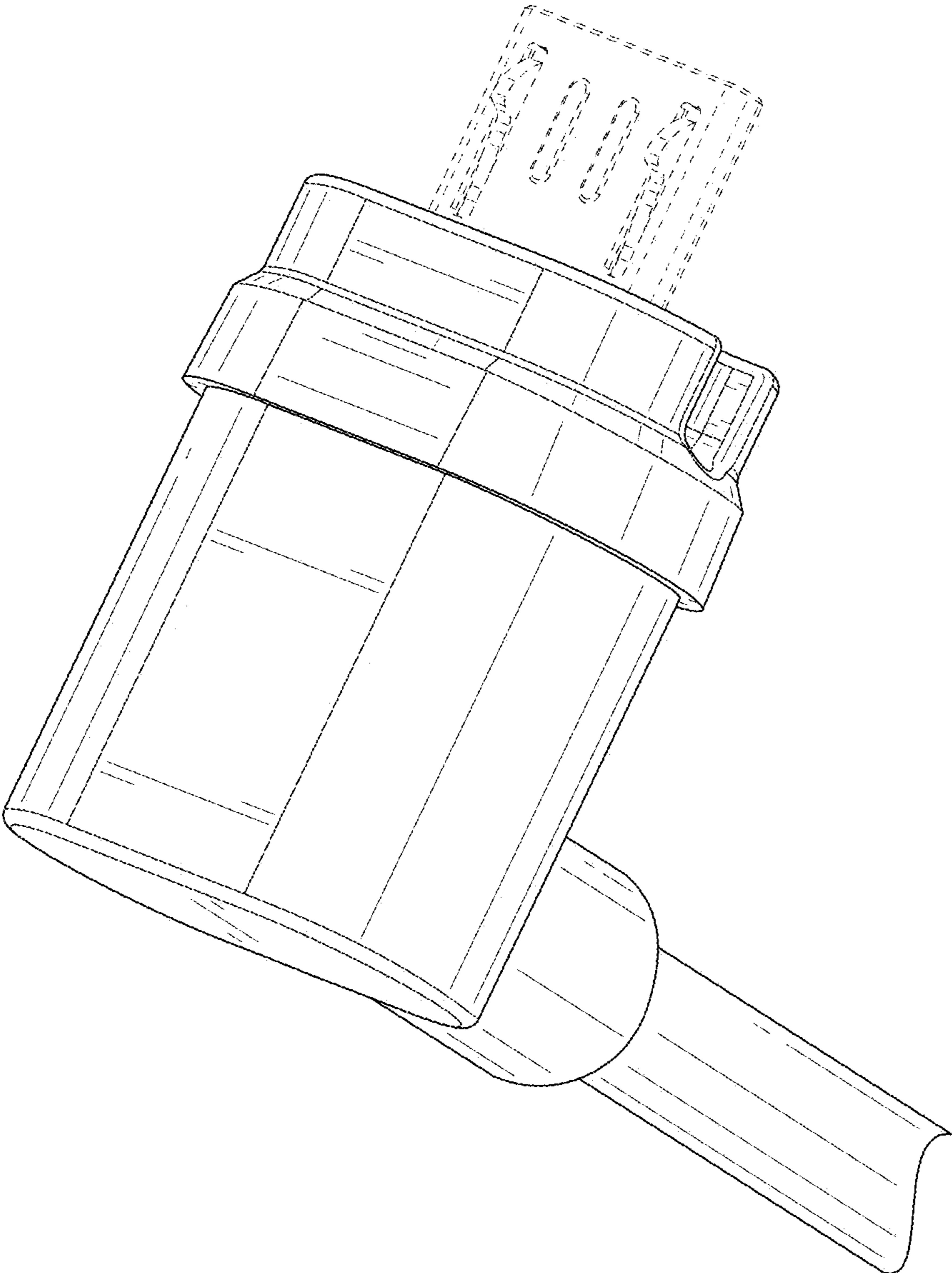


FIG. 1

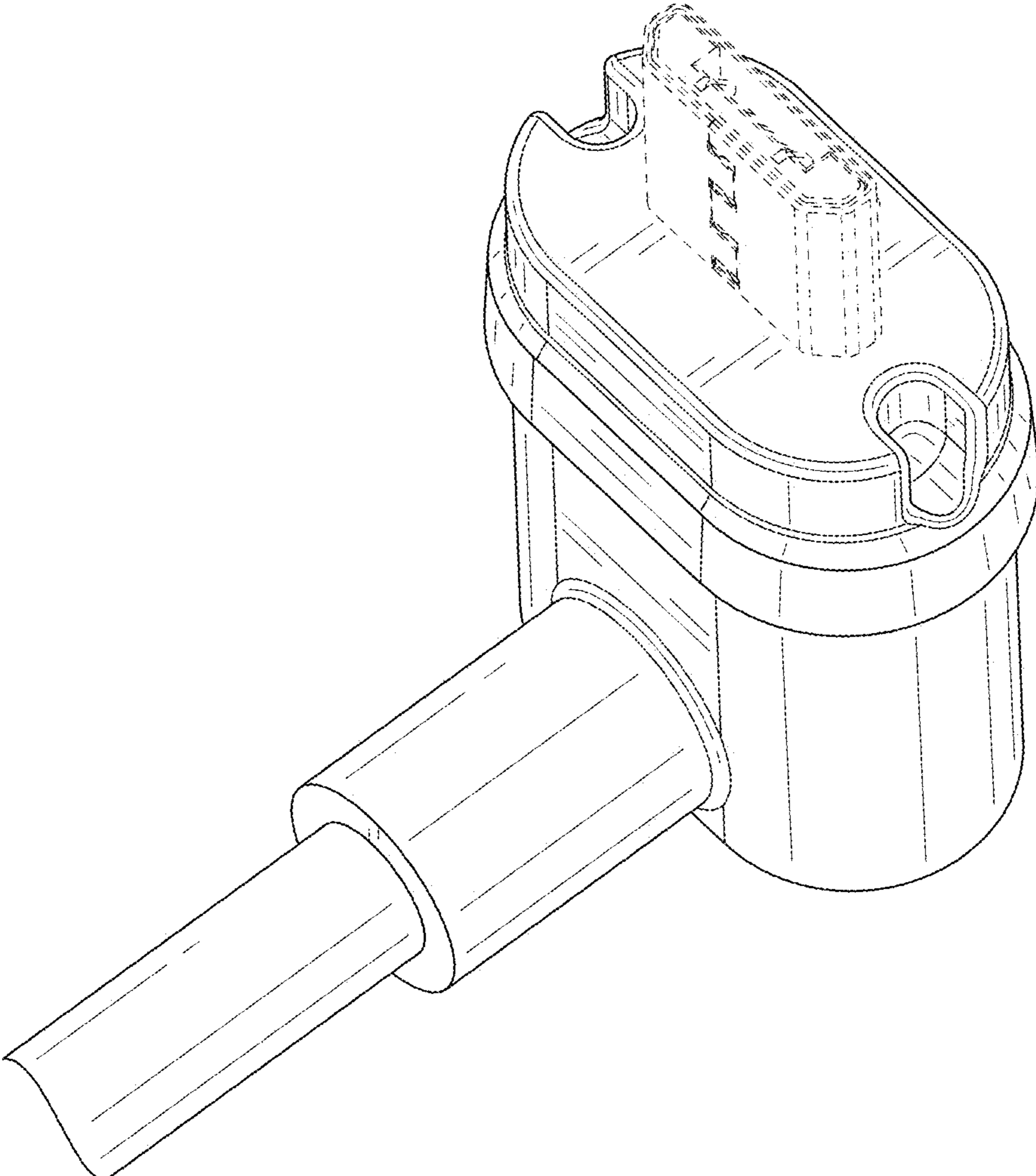


FIG. 2

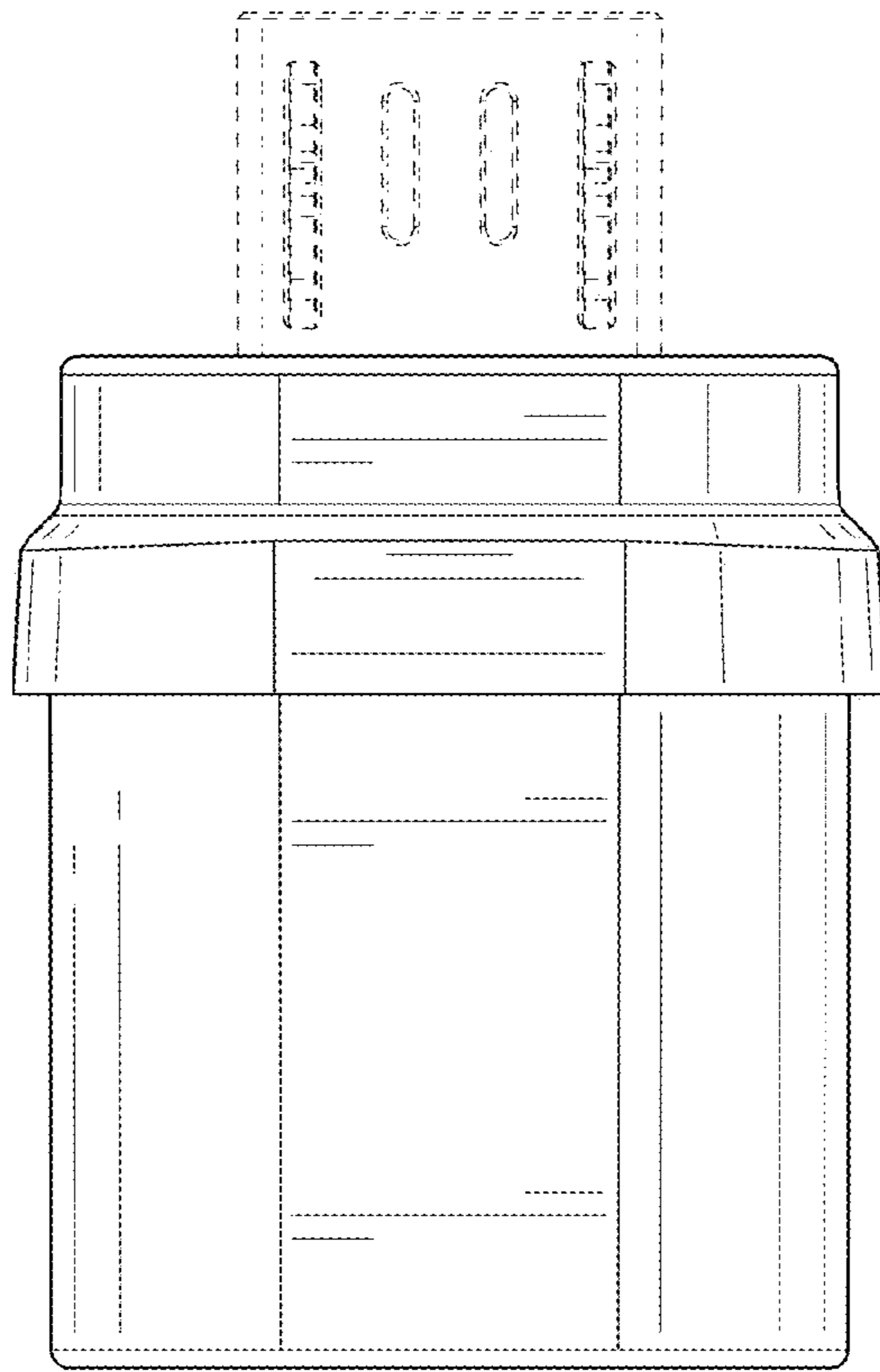


FIG. 3

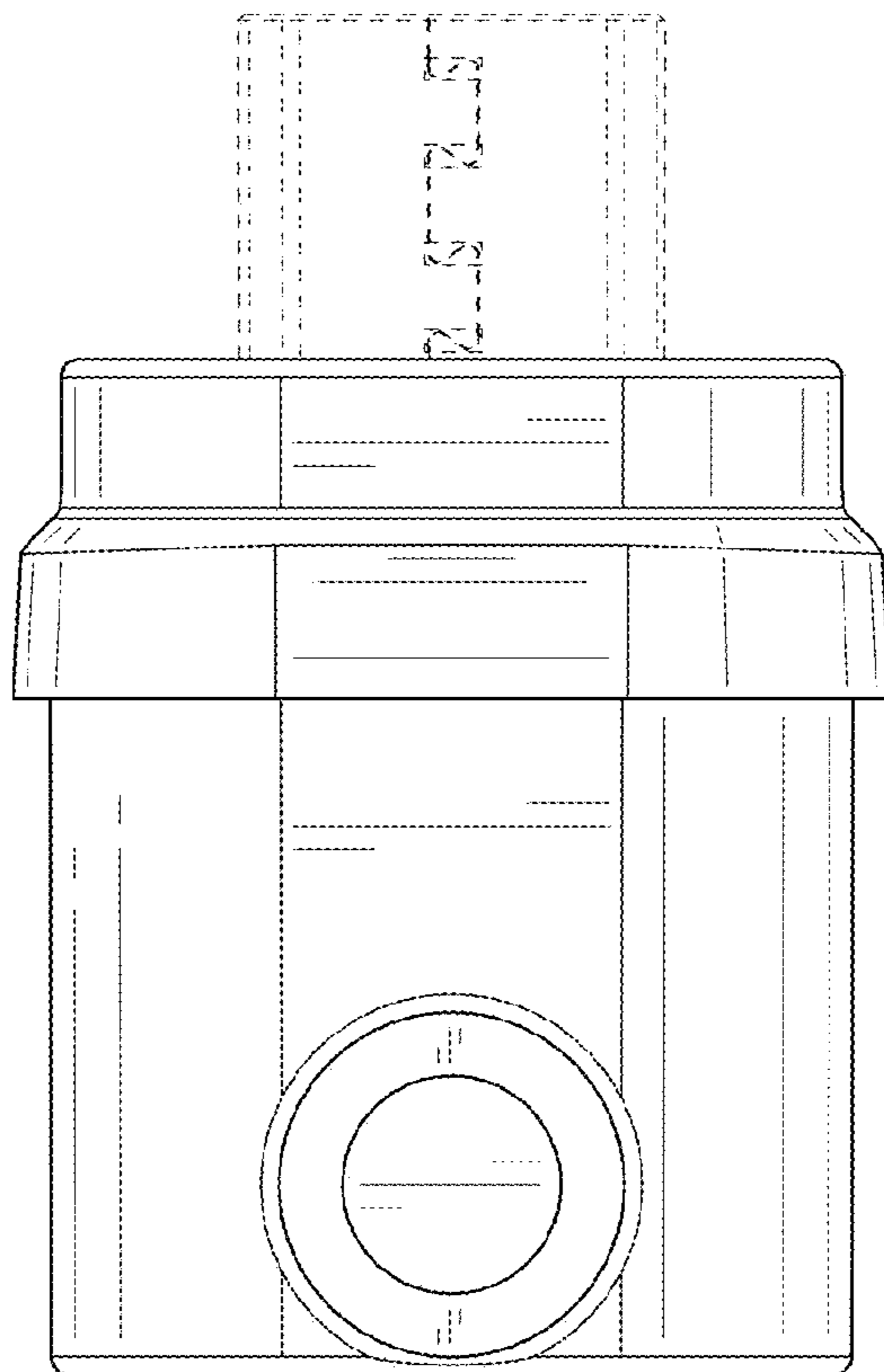


FIG. 4

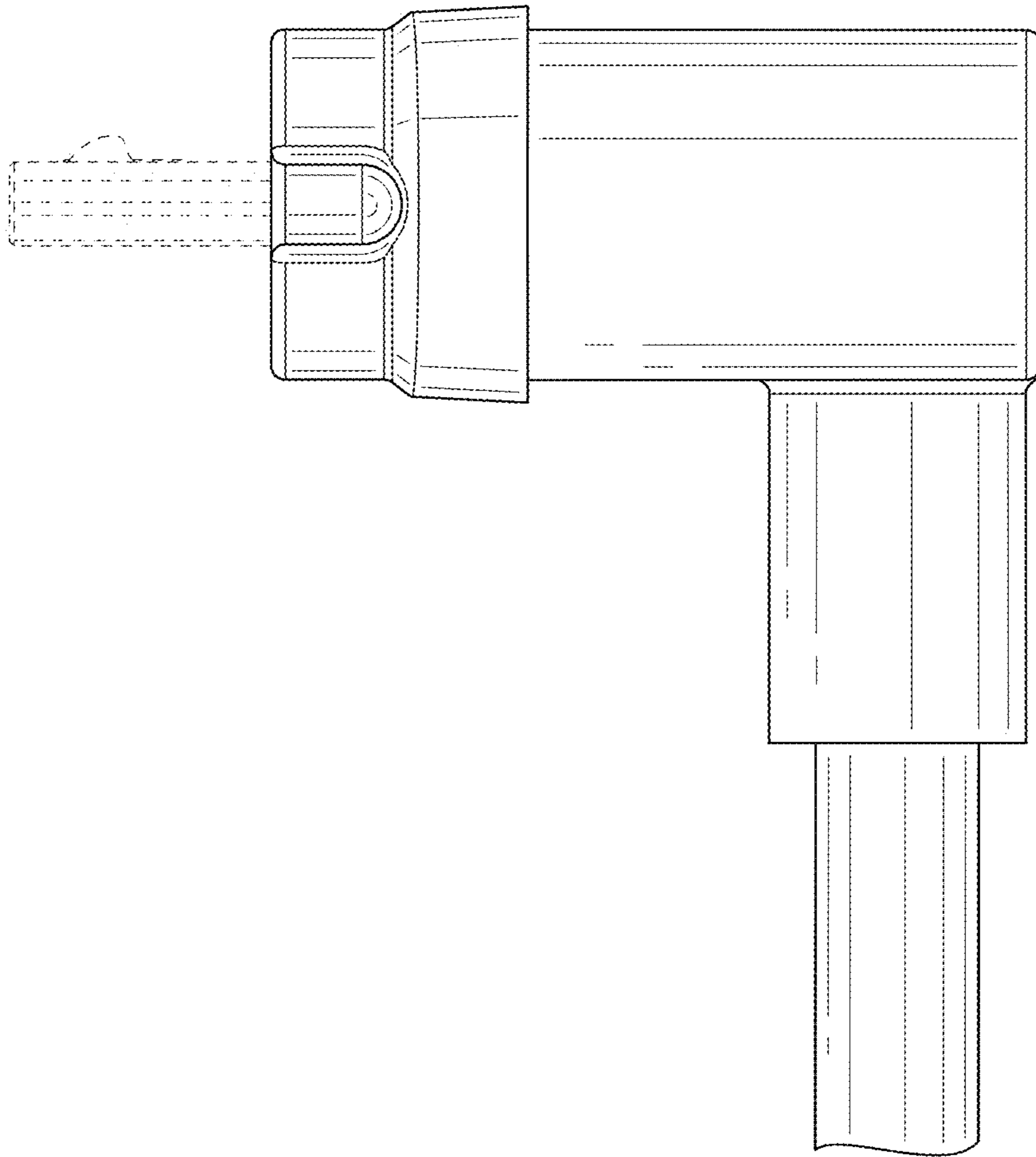


FIG. 5

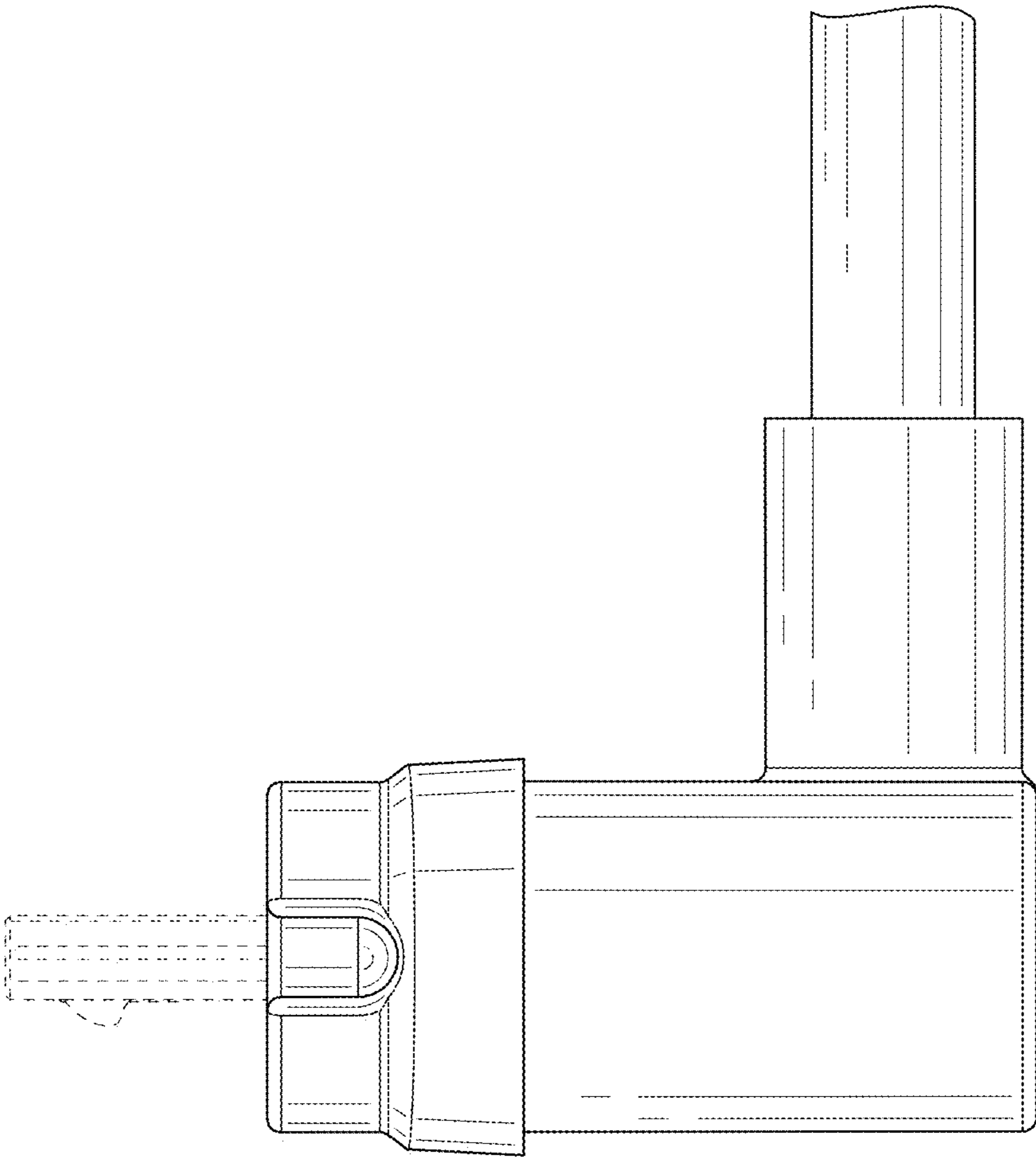


FIG. 6

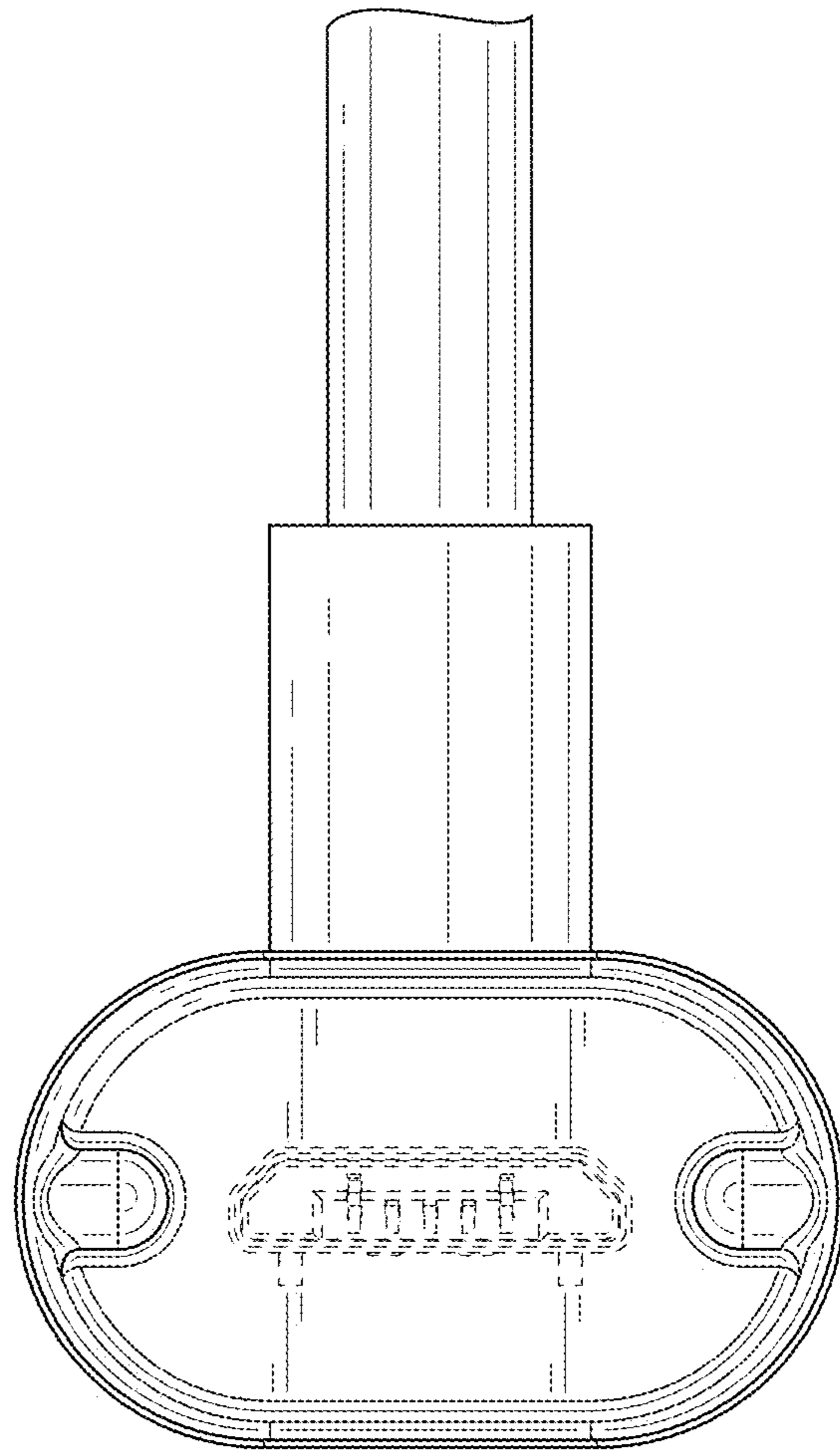


FIG. 7

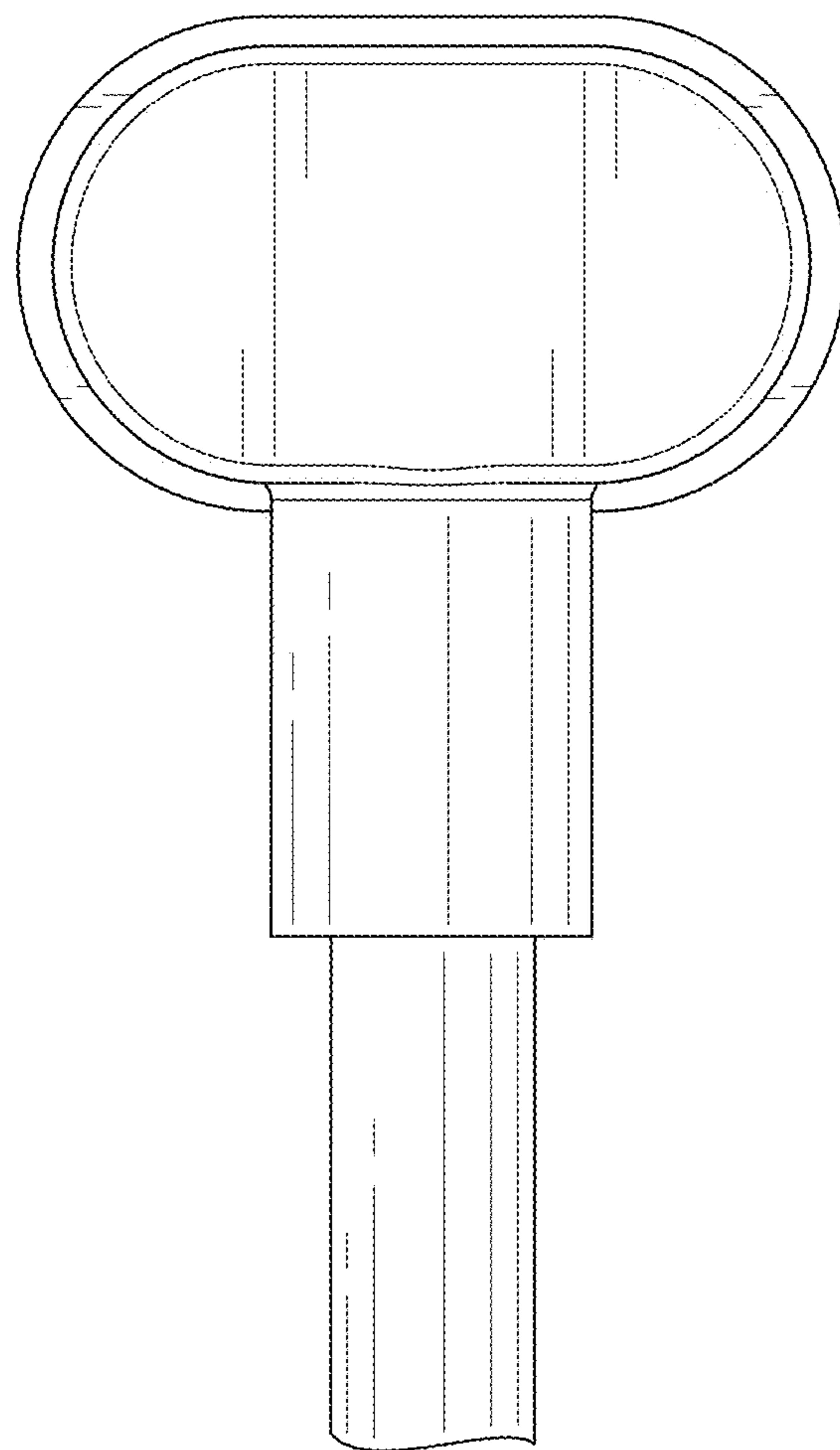


FIG. 8