

US00D982503S

(12) **United States Design Patent**  
**McMath**

(10) **Patent No.:** **US D982,503 S**

(45) **Date of Patent:** **\*\* Apr. 4, 2023**

(54) **VEHICLE DOOR ARMREST**  
(71) Applicant: **Landon Cole McMath**, Riverside, CA  
(US)  
(72) Inventor: **Landon Cole McMath**, Riverside, CA  
(US)

(\*\*) Term: **15 Years**

(21) Appl. No.: **29/801,586**

(22) Filed: **Jul. 29, 2021**

(51) **LOC (14) Cl.** ..... **12-16**

(52) **U.S. Cl.**  
USPC ..... **D12/421**

(58) **Field of Classification Search**  
USPC ..... D6/716.2, 716.3, 364-368, 374, 716;  
D12/133, 421, 416, 419, 119, 110, 223;  
D24/183, 184, 200  
CPC ..... B62J 1/28; B60N 2/773  
See application file for complete search history.

(56) **References Cited**

U.S. PATENT DOCUMENTS

D373,344 S \* 9/1996 Wissen, Jr. .... D12/421  
7,114,774 B2 \* 10/2006 Stahel ..... B62J 1/28  
297/188.15  
D555,047 S \* 11/2007 Colbert ..... D12/119  
D598,222 S \* 8/2009 Sullivan ..... D6/716.3  
D652,356 S \* 1/2012 Lindloff ..... D12/119  
D724,499 S \* 3/2015 Parvey ..... D12/119  
9,056,569 B2 \* 6/2015 Lindloff ..... B60N 2/773  
D758,952 S \* 6/2016 Erhel ..... D12/421

D765,562 S \* 9/2016 Dahlin ..... D12/133  
D775,846 S \* 1/2017 Tsai ..... D6/366  
D779,074 S \* 2/2017 Lane ..... D6/718.3  
D827,351 S \* 9/2018 Egger ..... D6/716.3  
D858,165 S \* 9/2019 Ward ..... D6/716.2  
D883,863 S \* 5/2020 Bodman ..... D12/133  
D917,376 S \* 4/2021 Lee ..... D12/421  
D919,346 S \* 5/2021 Ye ..... D6/716.2  
D943,495 S \* 2/2022 Sawada ..... D12/421  
D966,527 S \* 10/2022 Romano ..... D24/184

\* cited by examiner

*Primary Examiner* — Susan E Krakower

*Assistant Examiner* — Jerry Shiuan-Hua Hsu

(74) *Attorney, Agent, or Firm* — Curtis L. Harrington;  
Harrington & Harrington

(57) **CLAIM**

The ornamental design for a vehicle door armrest, as shown and described.

**DESCRIPTION**

FIG. 1 is a top, rear perspective view of a vehicle door armrest showing my new design, a mirror image is claimed but not shown;

FIG. 2 is a front elevational view thereof;

FIG. 3 is a rear elevational view thereof;

FIG. 4 is a left side elevational view thereof;

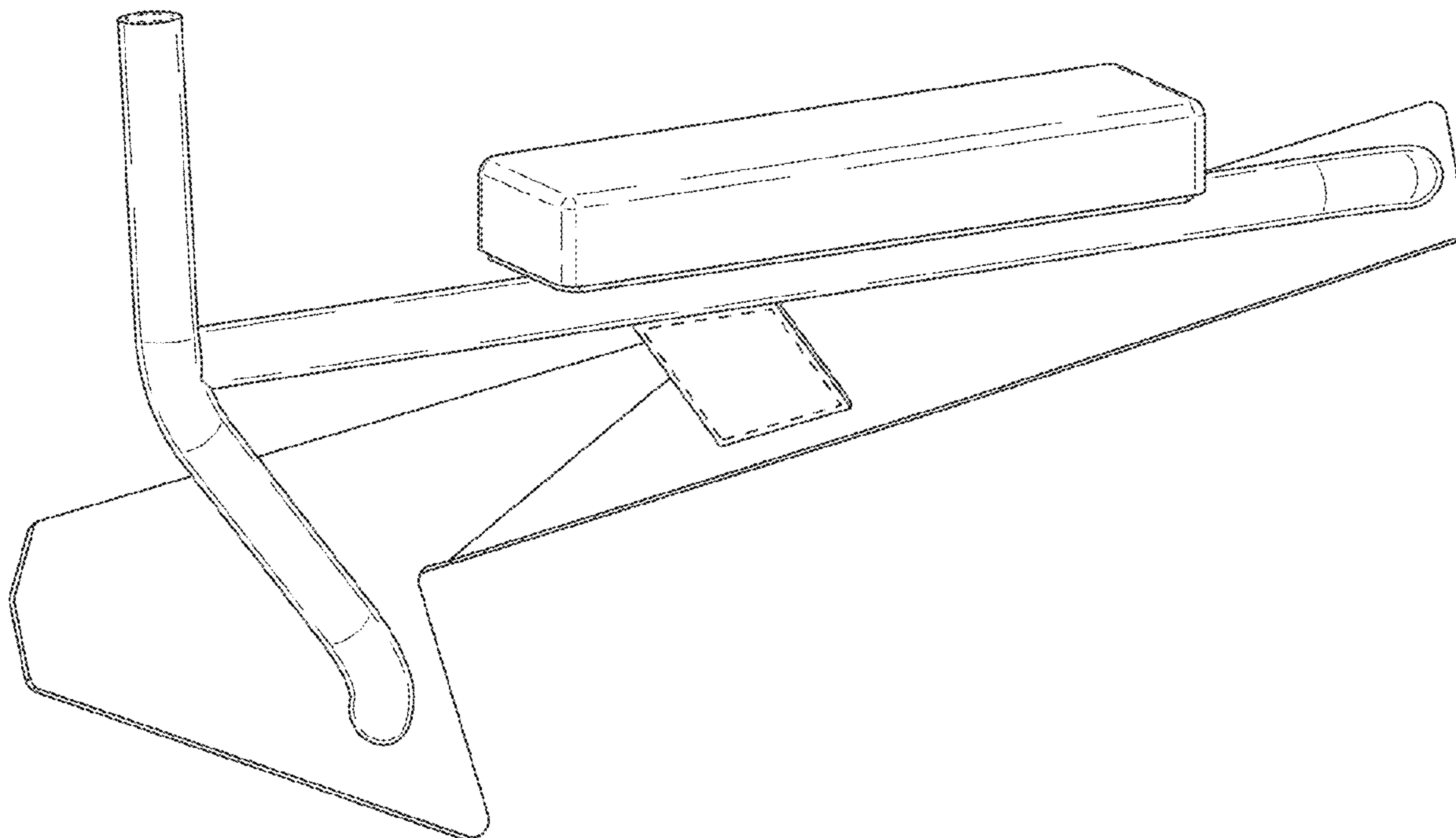
FIG. 5 is a right side elevational view thereof;

FIG. 6 is a top plan view thereof; and,

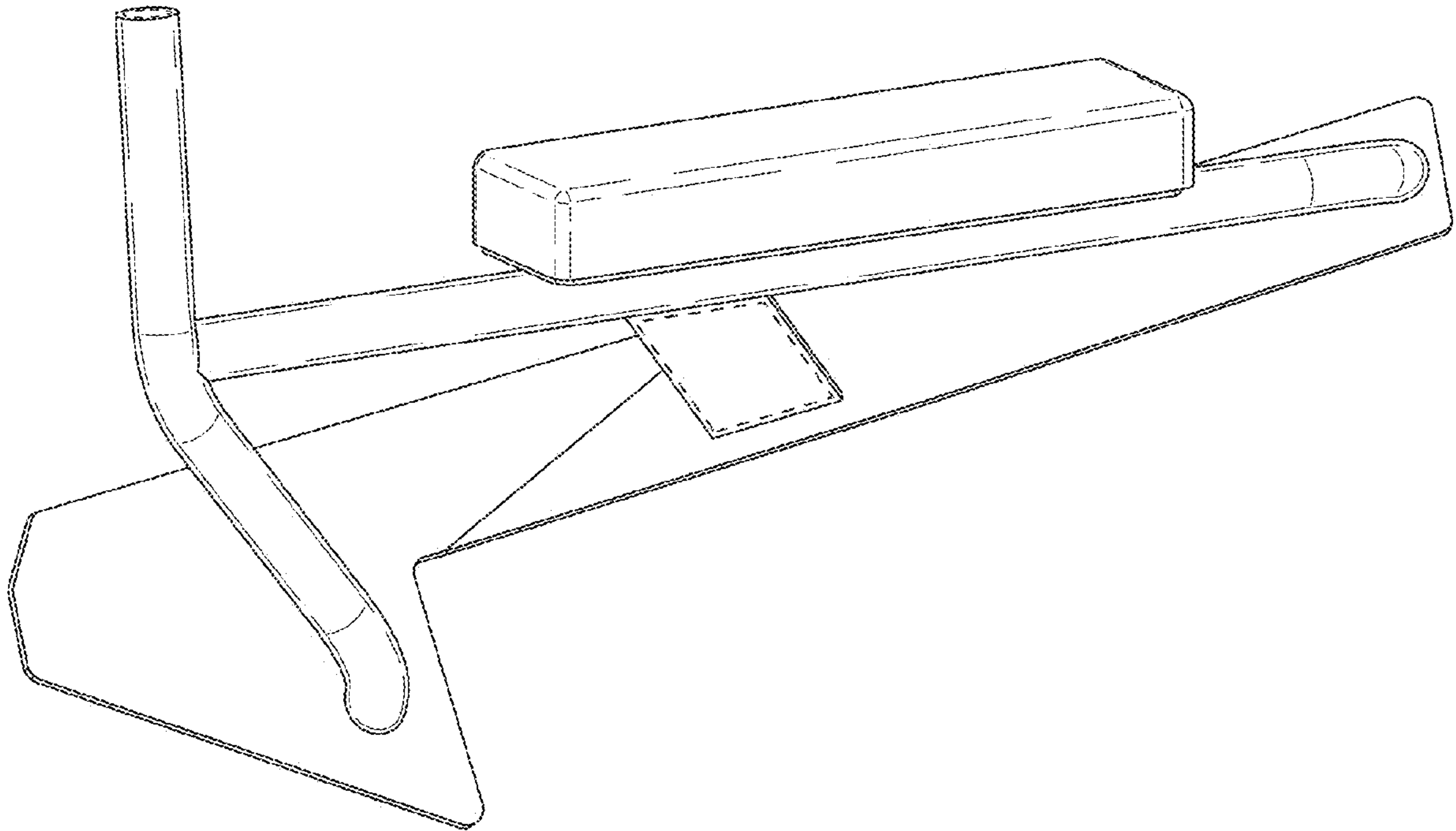
FIG. 7 is a bottom plan view thereof.

The broken lines illustrate portions of the vehicle door armrest which form no part of the claimed design.

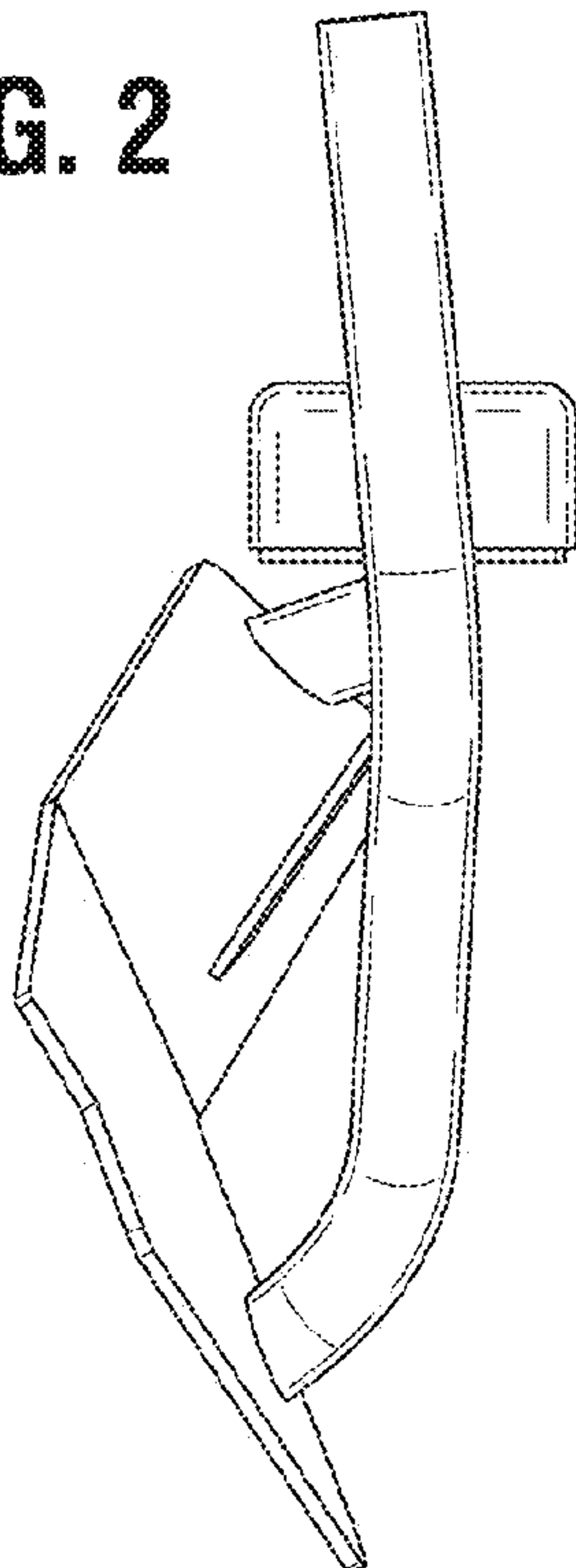
**1 Claim, 3 Drawing Sheets**



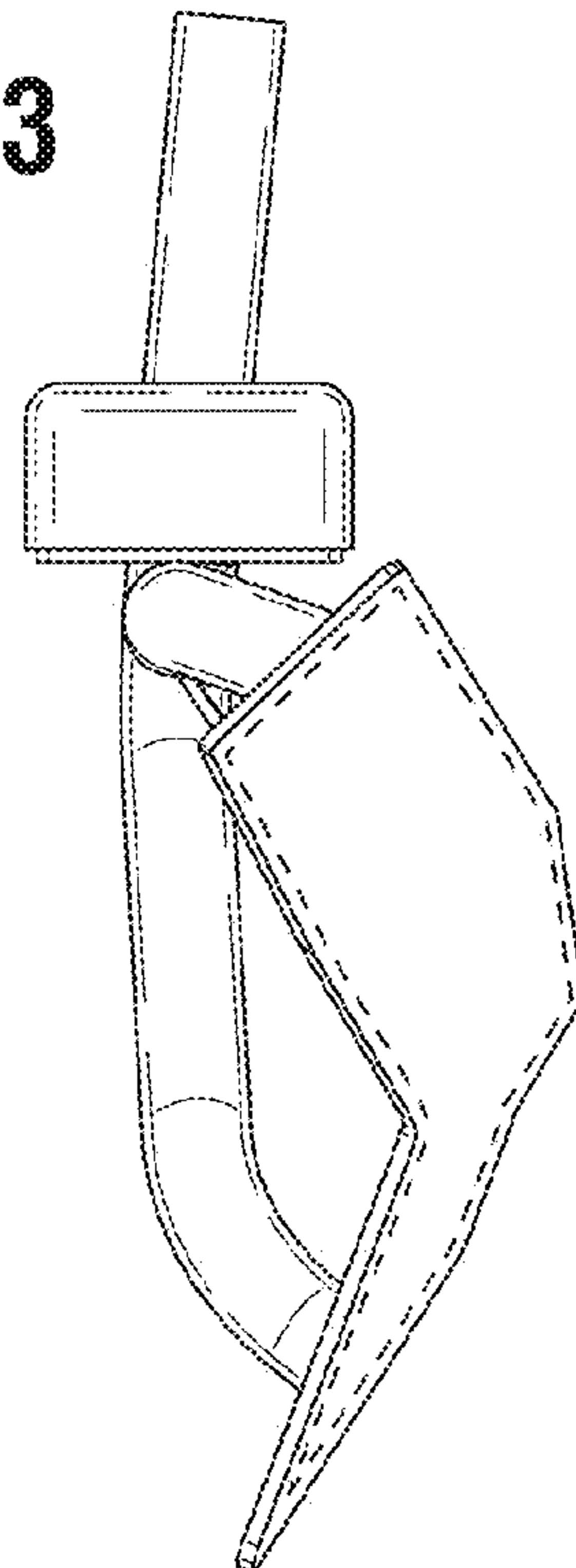
**FIG. 1**



**FIG. 2**



**FIG. 3**



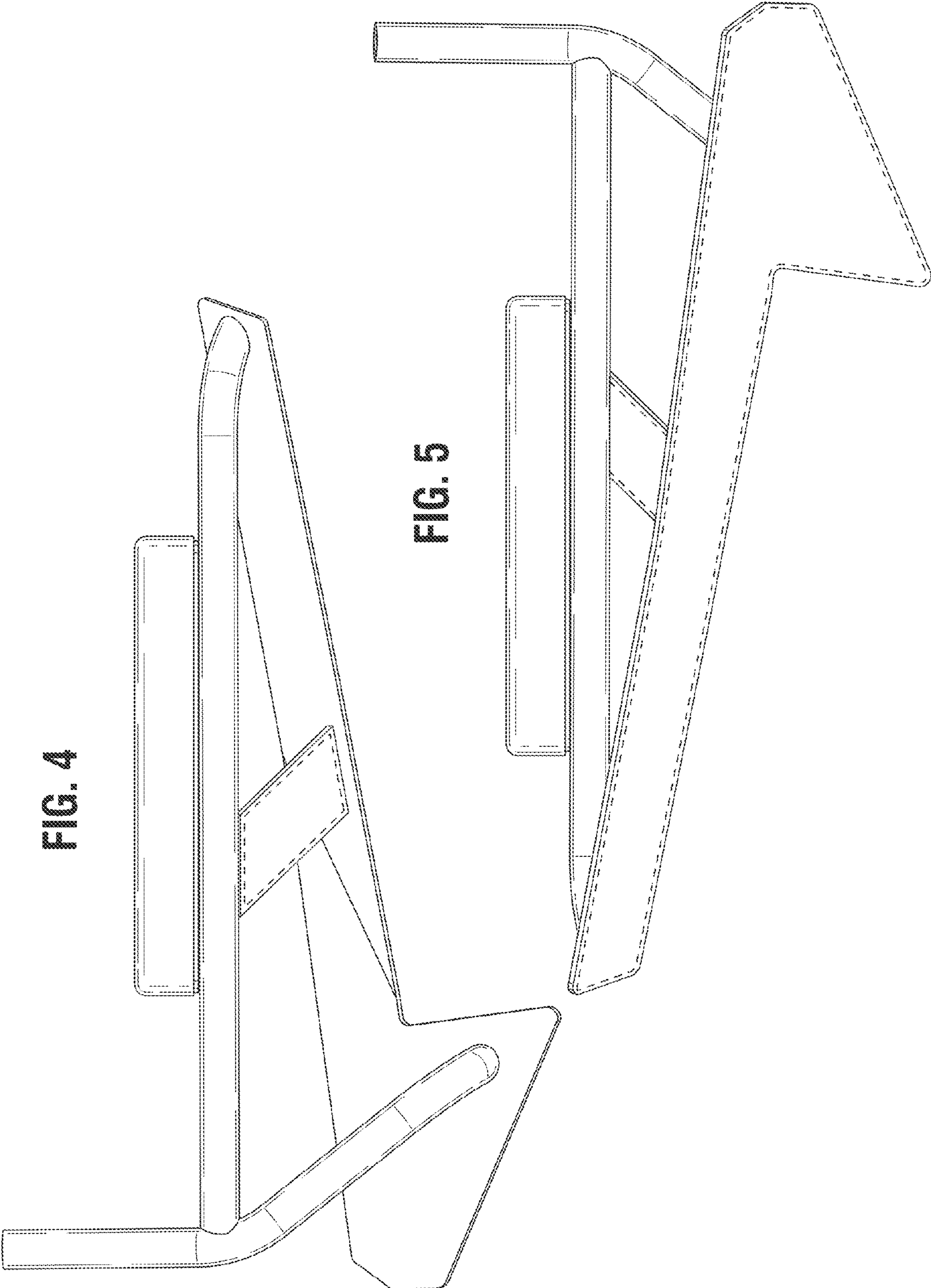
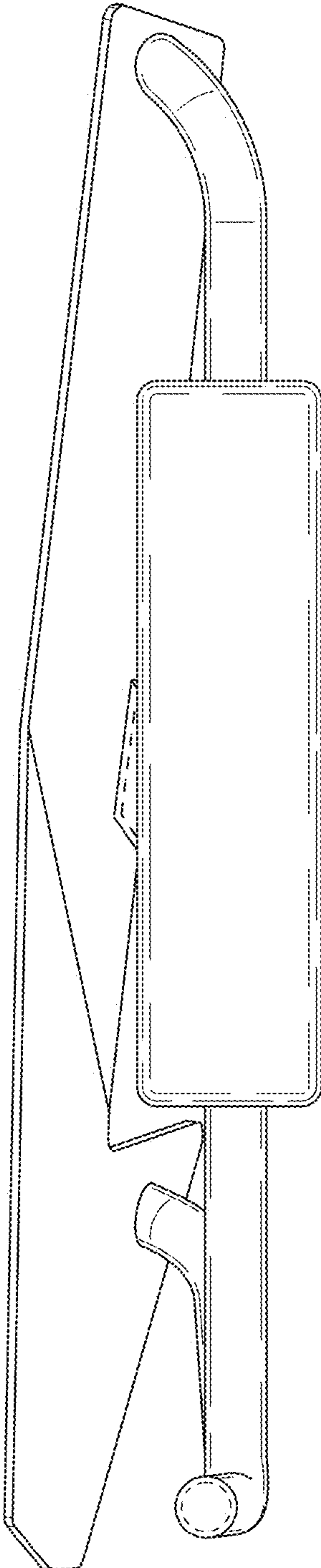


FIG. 4

FIG. 5



**FIG. 6**



**FIG. 7**

