



US00D982502S

(12) **United States Design Patent**
McMath

(10) **Patent No.:** **US D982,502 S**

(45) **Date of Patent:** **** Apr. 4, 2023**

(54) **VEHICLE DOOR ARMREST**
(71) Applicant: **Landon Cole McMath**, Riverside, CA
(US)
(72) Inventor: **Landon Cole McMath**, Riverside, CA
(US)
(**) Term: **15 Years**

D765,562 S * 9/2016 Dahlin D12/133
D775,846 S * 1/2017 Tsai D6/366
D779,074 S * 2/2017 Lane D6/718.3
D827,351 S * 9/2018 Egger D6/716.3
D858,165 S * 9/2019 Ward D6/716.2
D883,863 S * 5/2020 Bodman D12/133
D917,376 S * 4/2021 Lee D12/421
D919,346 S * 5/2021 Ye D6/716.2
D943,495 S * 2/2022 Sawada D12/421
D966,527 S * 10/2022 Romano D24/184

* cited by examiner

(21) Appl. No.: **29/801,580**
(22) Filed: **Jul. 29, 2021**
(51) **LOC (14) Cl.** **12-16**
(52) **U.S. Cl.**
USPC **D12/421**
(58) **Field of Classification Search**
USPC D6/716.2, 716.3, 364-368, 374, 716;
D12/133, 421, 416, 419, 119, 110, 223;
D24/183, 184, 200
CPC B62J 1/28; B60N 2/773
See application file for complete search history.

Primary Examiner — Susan E Krakower
Assistant Examiner — Jerry Shiuan-Hua Hsu
(74) *Attorney, Agent, or Firm* — Curtis L. Harrington;
Harrington & Harrington

(57) **CLAIM**

The ornamental design for a vehicle door armrest, as shown and described.

DESCRIPTION

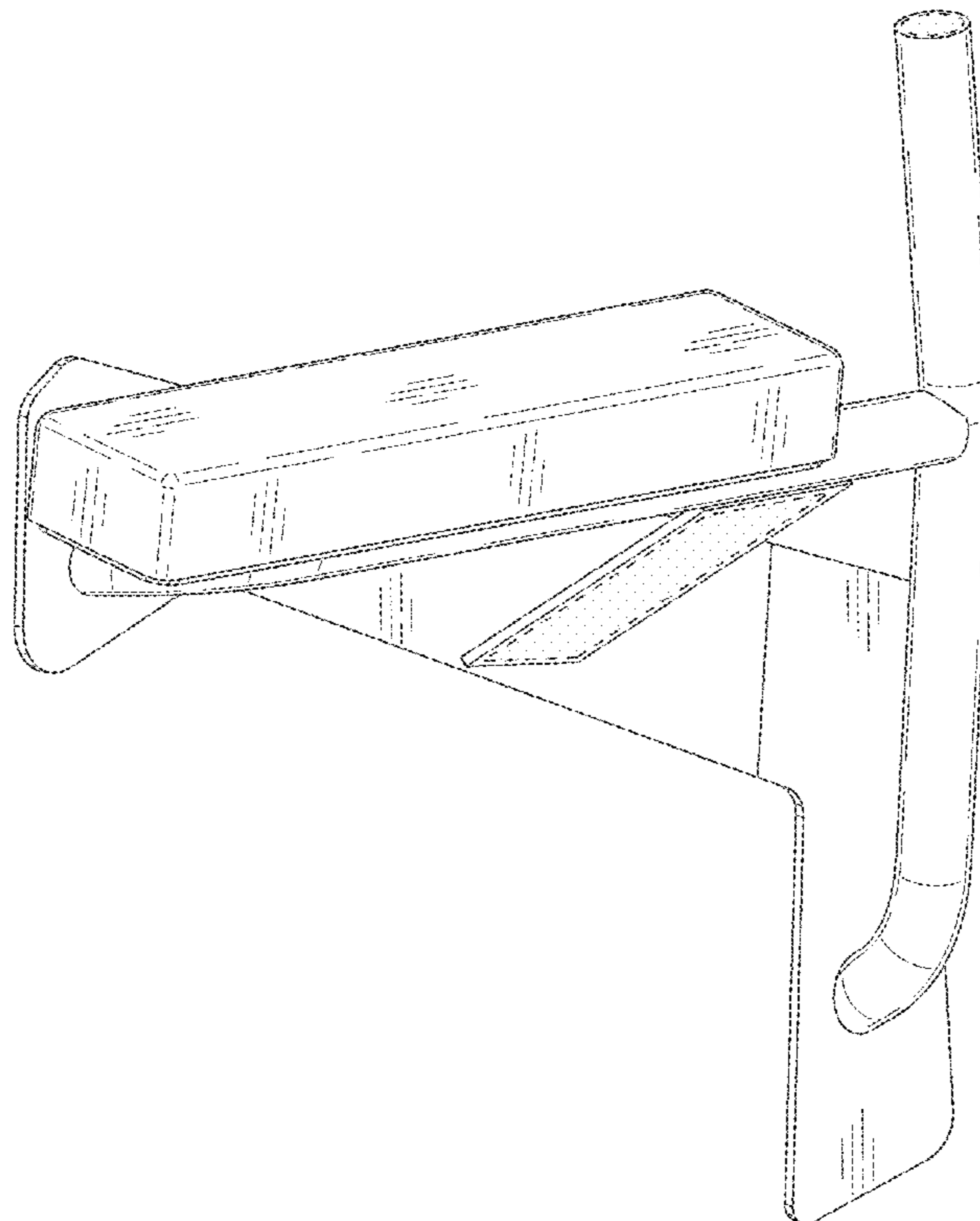
FIG. 1 is a top, rear perspective view of a vehicle door armrest showing my new design, a mirror image is claimed but not shown;
FIG. 2 is a front elevational view thereof;
FIG. 3 is a rear elevational view thereof;
FIG. 4 is a left side elevational view thereof;
FIG. 5 is a right side elevational view thereof;
FIG. 6 is a top plan view thereof; and,
FIG. 7 is a bottom plan view thereof.
The broken lines illustrate portions of the vehicle door armrest which form no part of the claimed design.

(56) **References Cited**

U.S. PATENT DOCUMENTS

D373,344 S * 9/1996 Wissen, Jr. D12/421
7,114,774 B2 * 10/2006 Stahel B62J 1/28
297/188.15
D555,047 S * 11/2007 Colbert D12/119
D598,222 S * 8/2009 Sullivan D6/716.3
D652,356 S * 1/2012 Lindloff D12/119
D724,499 S * 3/2015 Parvey D12/119
9,056,569 B2 * 6/2015 Lindloff B60N 2/773
D758,952 S * 6/2016 Erhel D12/421

1 Claim, 5 Drawing Sheets



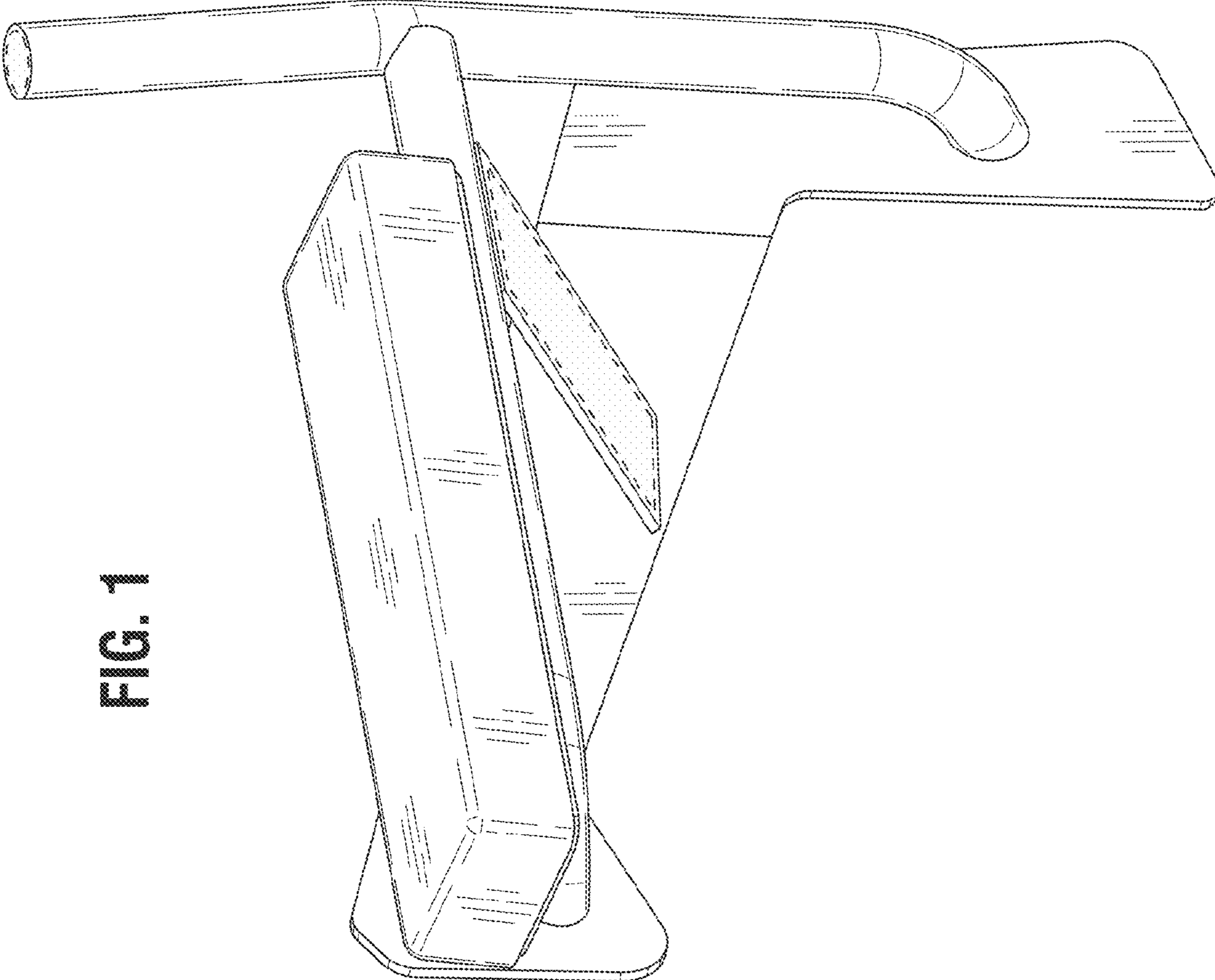


FIG. 1

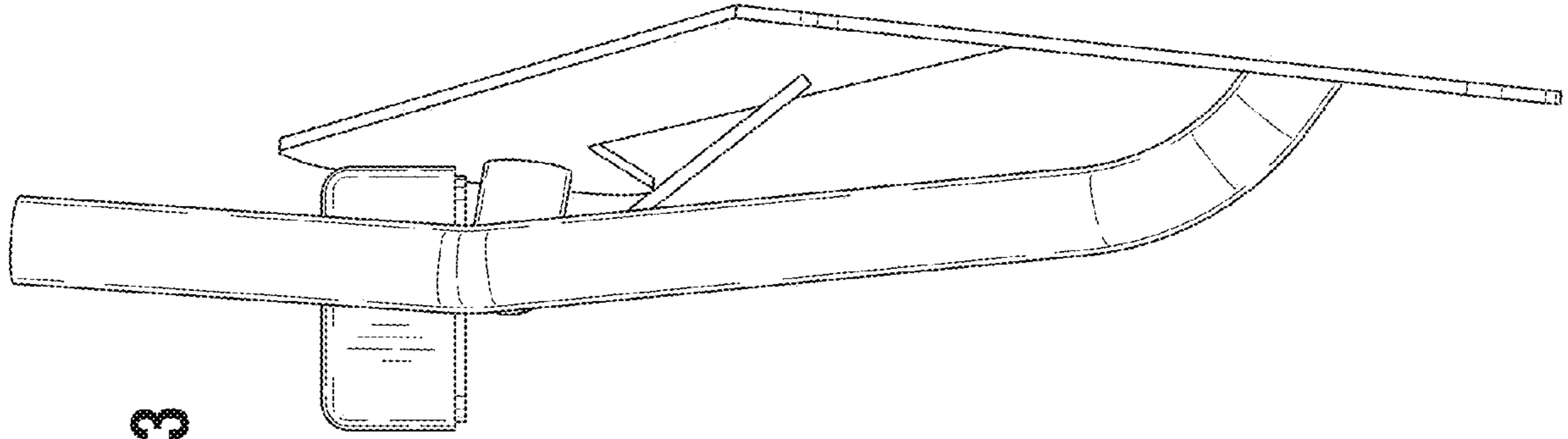


FIG. 3

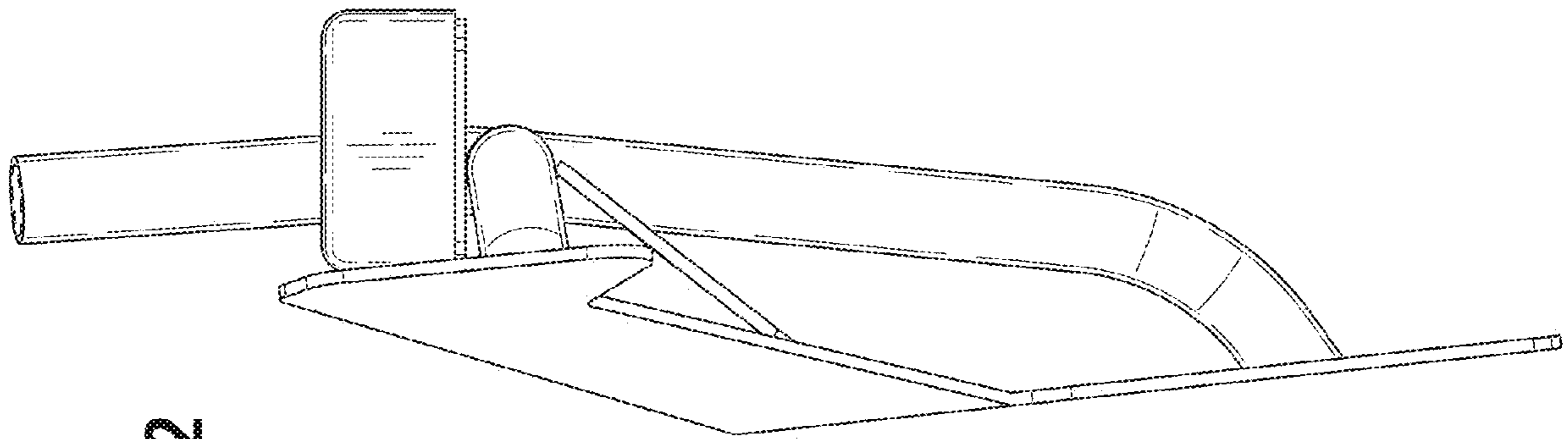


FIG. 2

FIG. 4

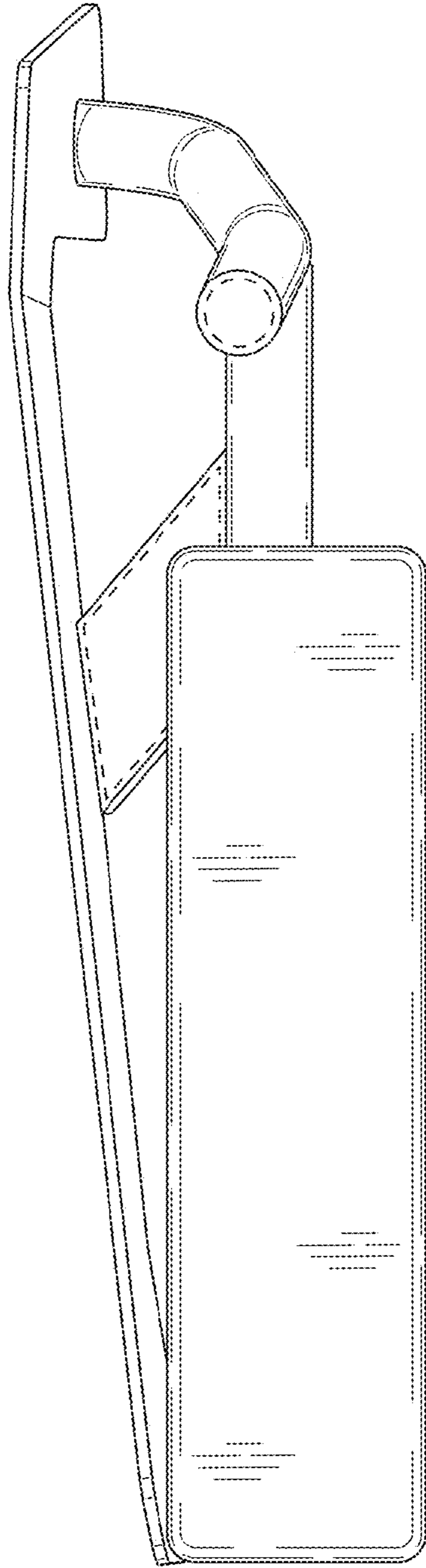


FIG. 5

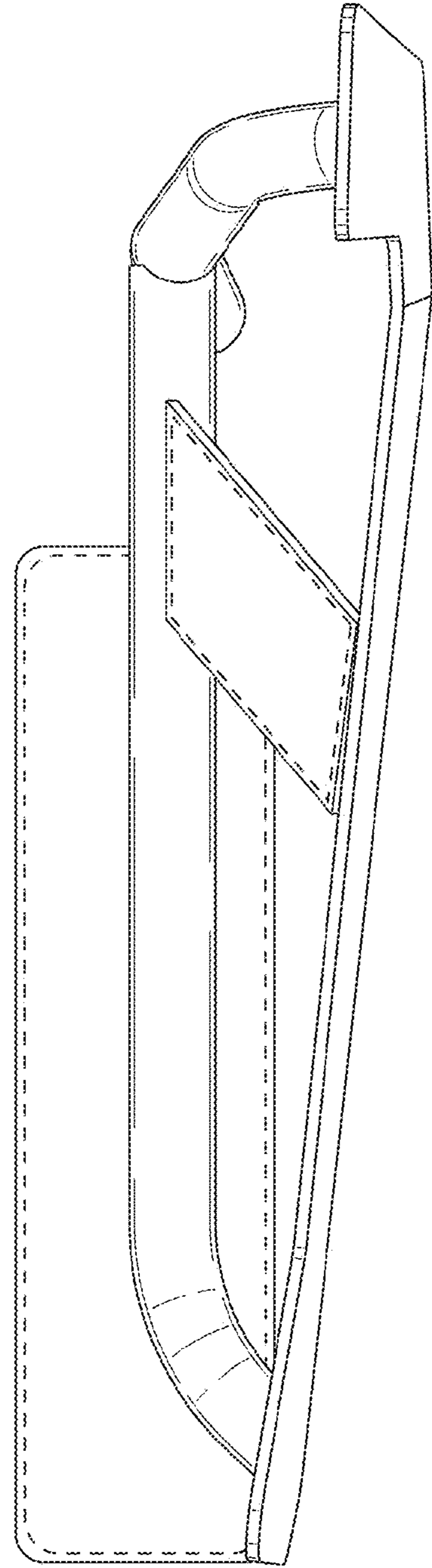
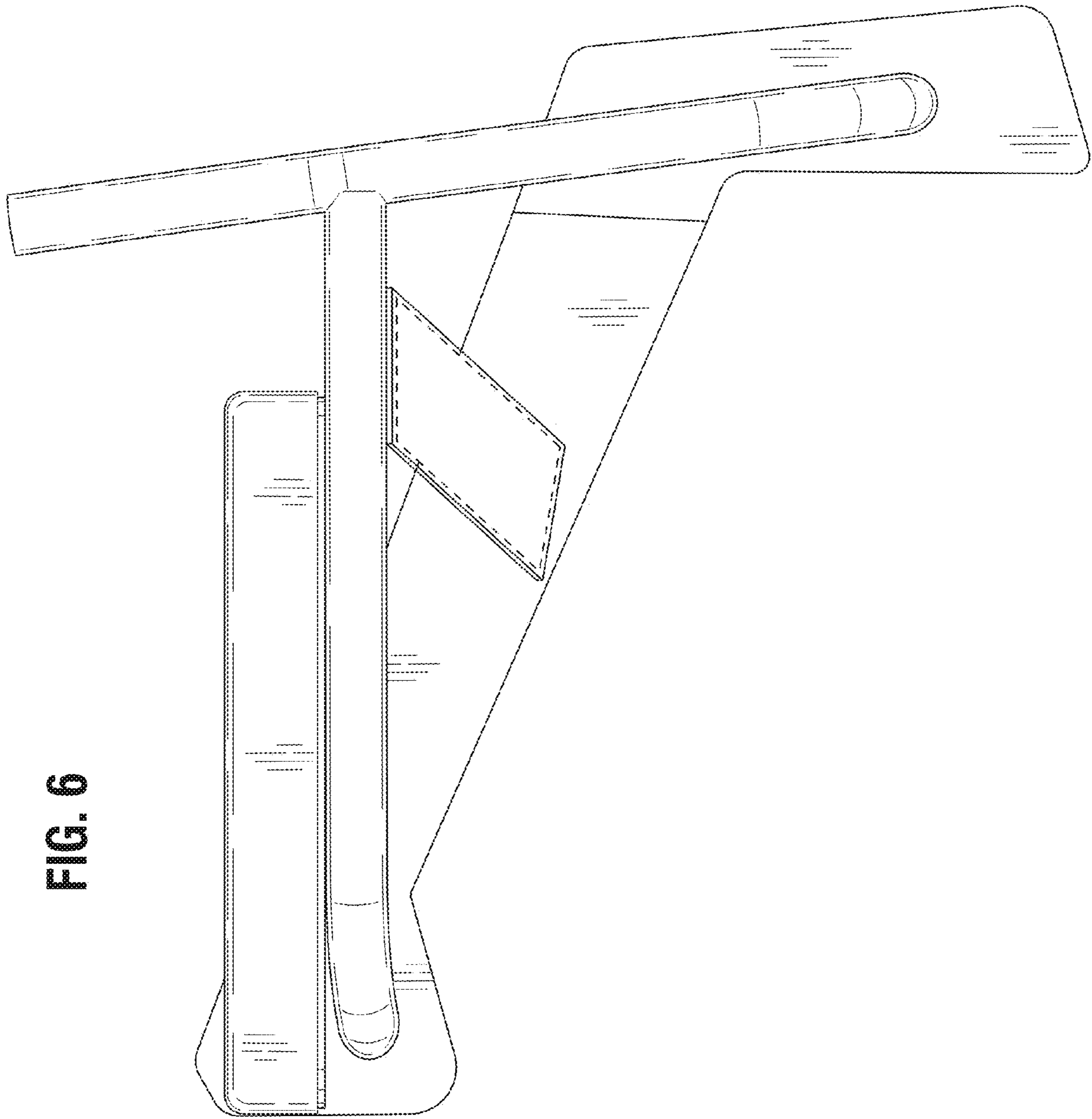


FIG. 6



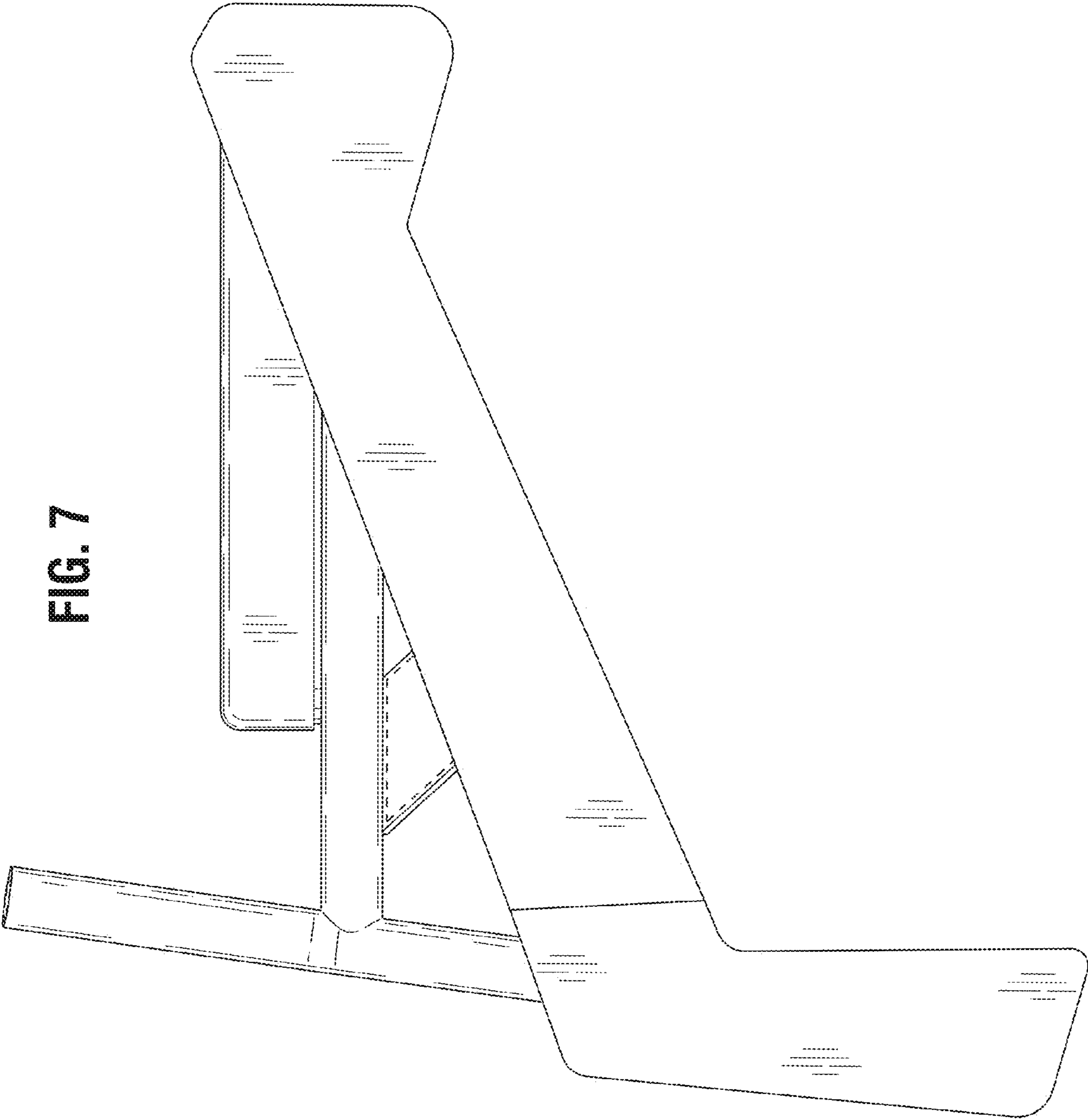


FIG. 7