



US00D982501S

(12) **United States Design Patent**  
**Li**

(10) **Patent No.:** **US D982,501 S**  
(45) **Date of Patent:** **\*\* Apr. 4, 2023**

- (54) **CAR PHONE HOLDER**
- (71) Applicant: **Jiaxing Li**, Chongqing (CN)
- (72) Inventor: **Jiaxing Li**, Chongqing (CN)
- (\*\*) Term: **15 Years**
- (21) Appl. No.: **29/797,740**
- (22) Filed: **Jul. 2, 2021**
- (51) **LOC (14) Cl.** ..... **12-16**
- (52) **U.S. Cl.**  
USPC ..... **D12/415**
- (58) **Field of Classification Search**  
USPC ..... D12/415, 419; D7/620  
CPC .. B60R 7/08; B60Q 3/225; B60Q 3/64; B60N  
3/10  
See application file for complete search history.

D937,820 S *	12/2021	Li	.....	D12/415
D943,569 S *	2/2022	Zhang	.....	D12/415
D946,492 S *	3/2022	Qu	.....	D12/415
D950,543 S *	5/2022	Zhang	.....	D12/415
D953,408 S *	5/2022	Liu	.....	D12/415
D955,319 S *	6/2022	Ackeret	.....	D12/415
D962,218 S *	8/2022	Zhang	.....	D12/415
D965,502 S *	10/2022	Zhang	.....	D12/415
D969,060 S *	11/2022	Zhang	.....	D12/415

\* cited by examiner

*Primary Examiner* — Katrina A Betton

(57) **CLAIM**

The ornamental design for a car phone holder, as shown and described.

**DESCRIPTION**

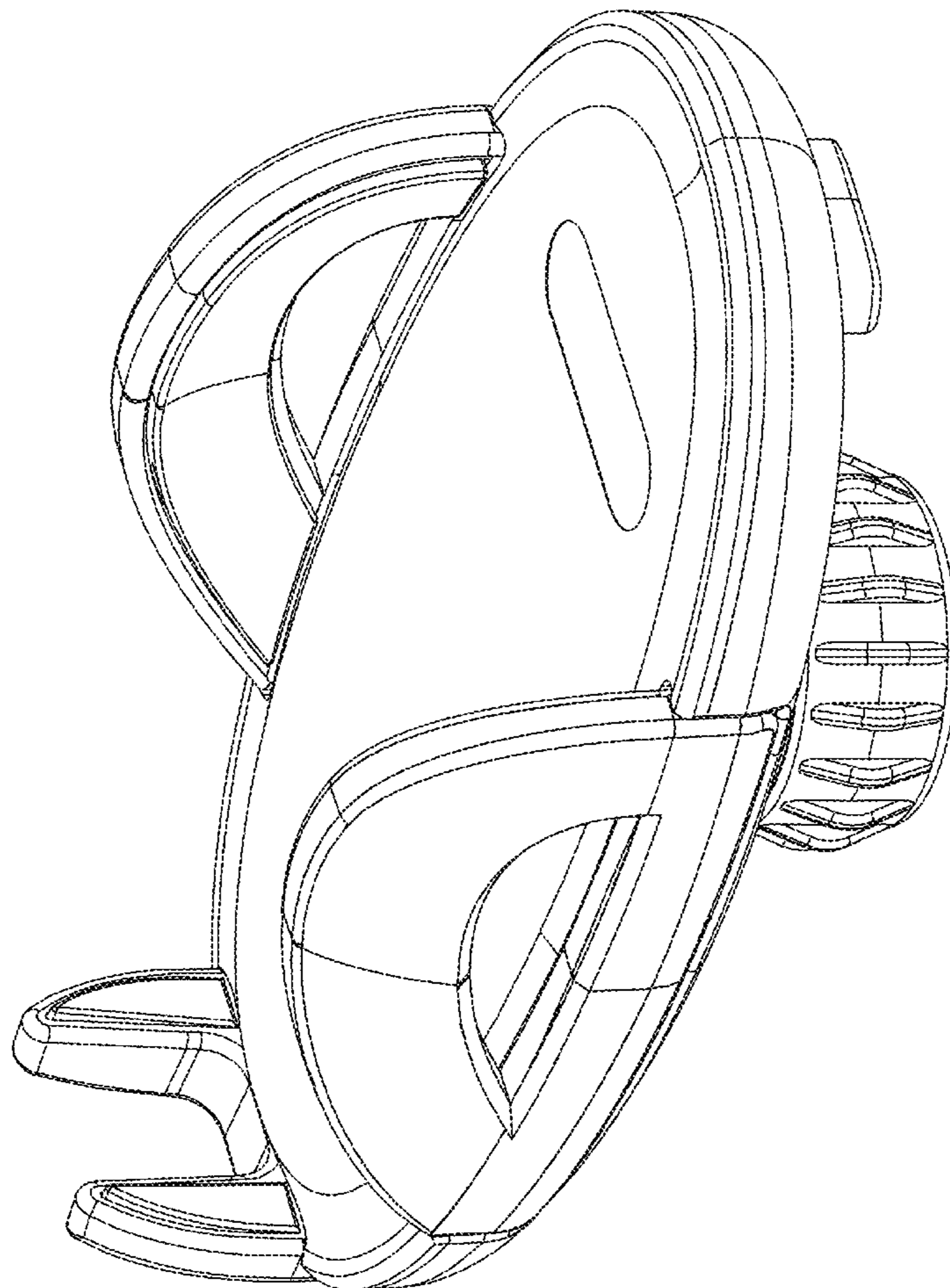
FIG. 1 is a perspective view of a car phone holder showing my new design;  
 FIG. 2 is another perspective view thereof;  
 FIG. 3 is a front elevational view thereof;  
 FIG. 4 is a rear elevational view thereof;  
 FIG. 5 is a left side elevational view thereof;  
 FIG. 6 is a right side elevational view thereof;  
 FIG. 7 is a top plan view thereof; and,  
 FIG. 8 is a bottom plan view thereof.

**1 Claim, 8 Drawing Sheets**

(56) **References Cited**

**U.S. PATENT DOCUMENTS**

D889,382 S *	7/2020	Lan	.....	D12/415
D890,740 S *	7/2020	Khubani	.....	D12/415
D893,415 S *	8/2020	McSweyn	.....	D12/415
D894,891 S *	9/2020	Zhang	.....	D12/415



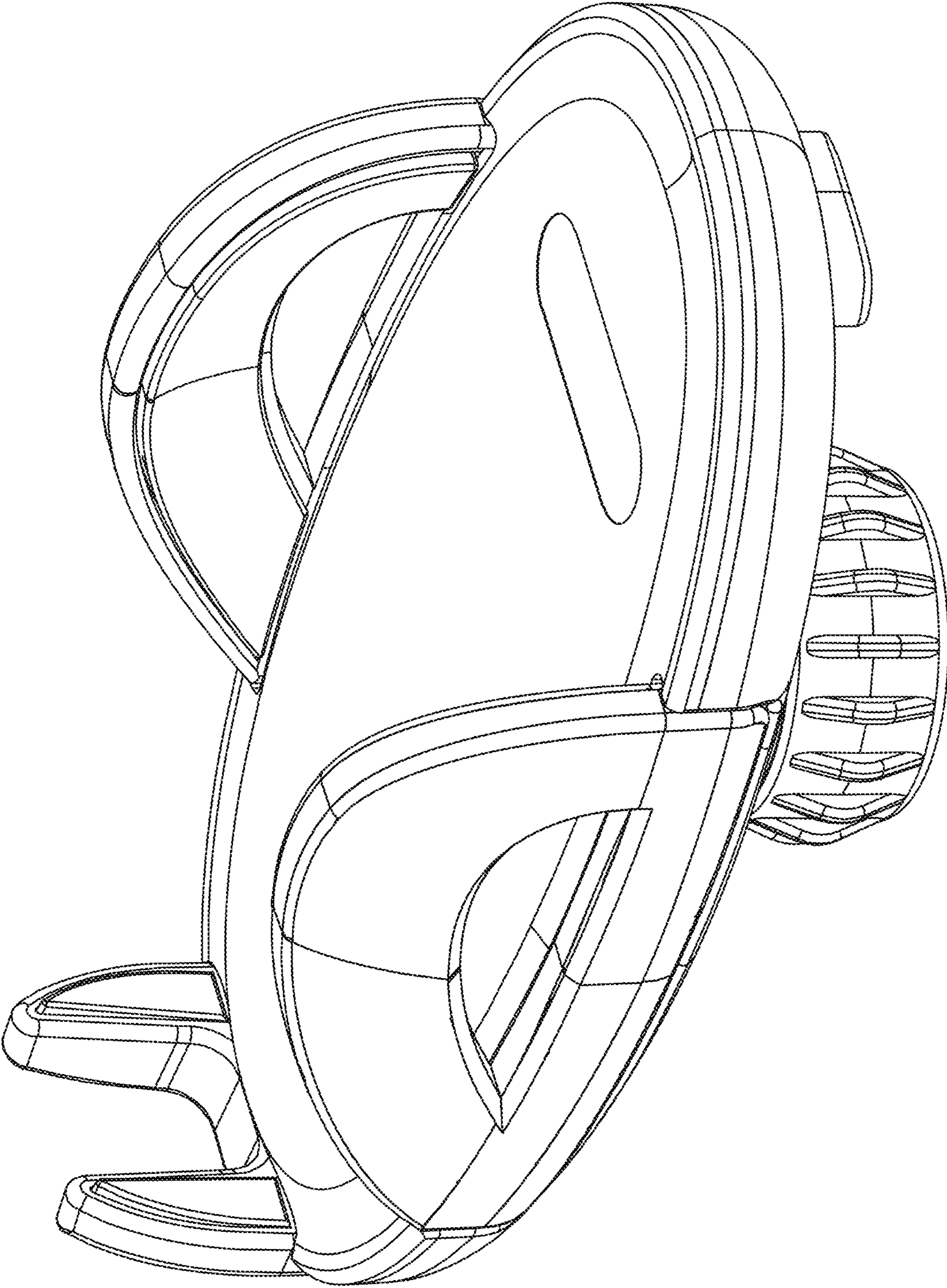


FIG. 1

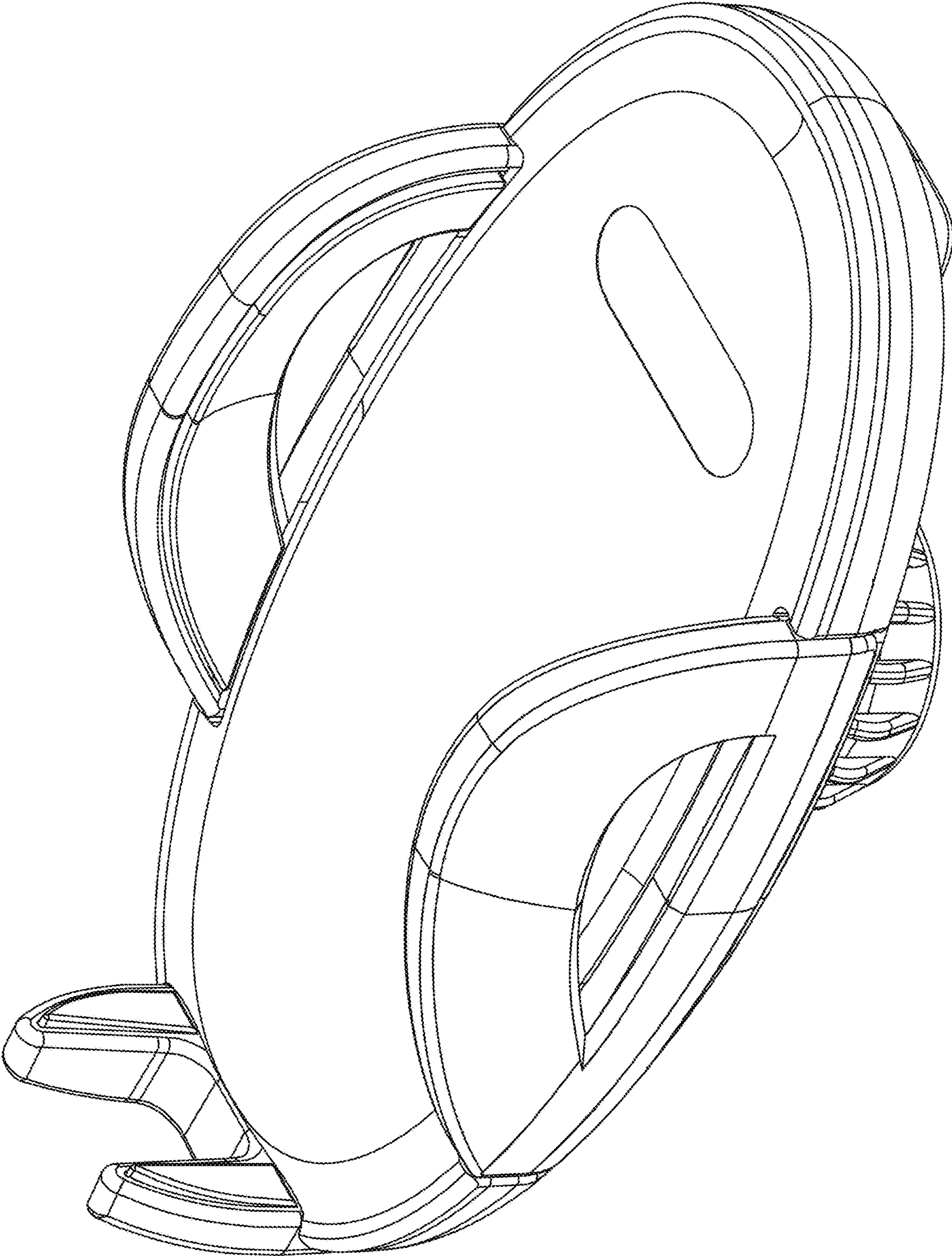


FIG. 2

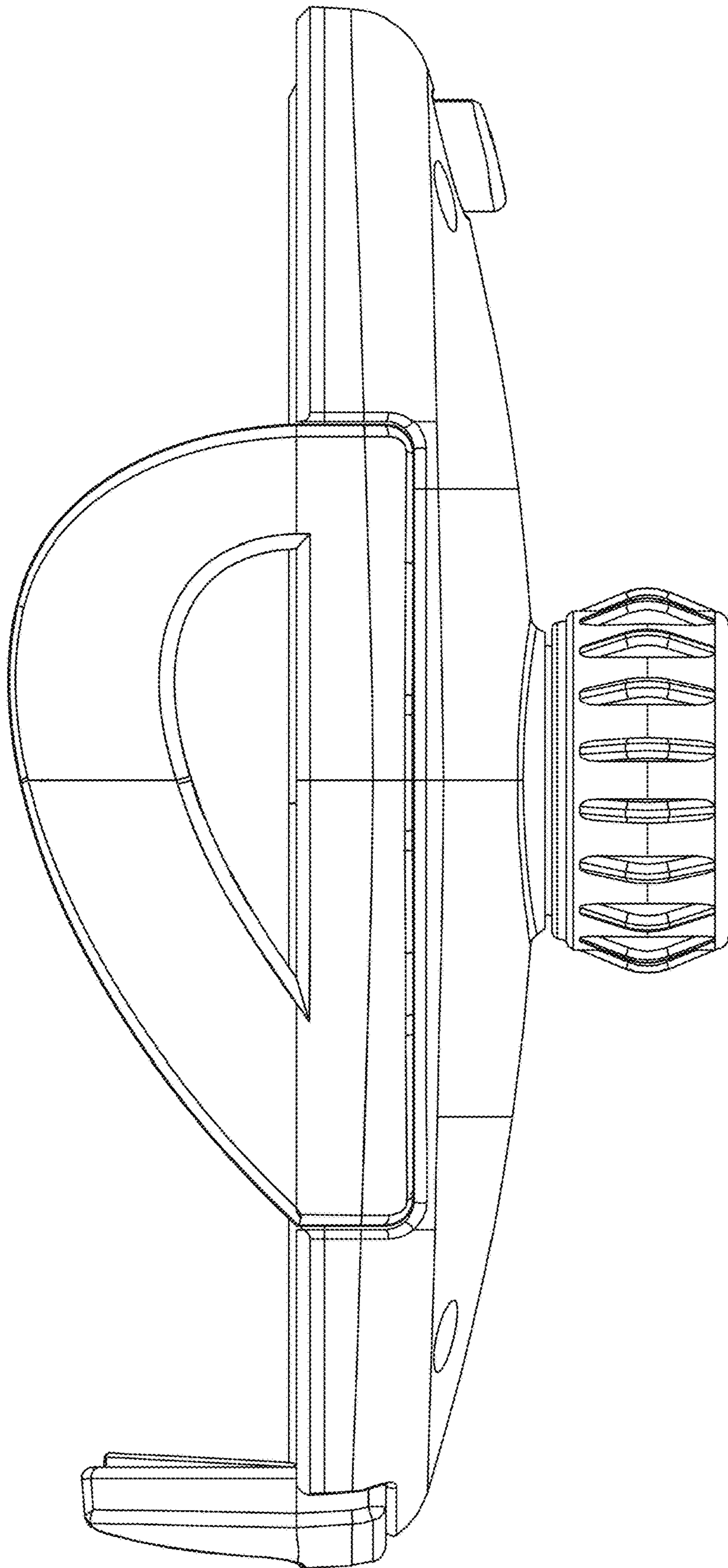


FIG. 3

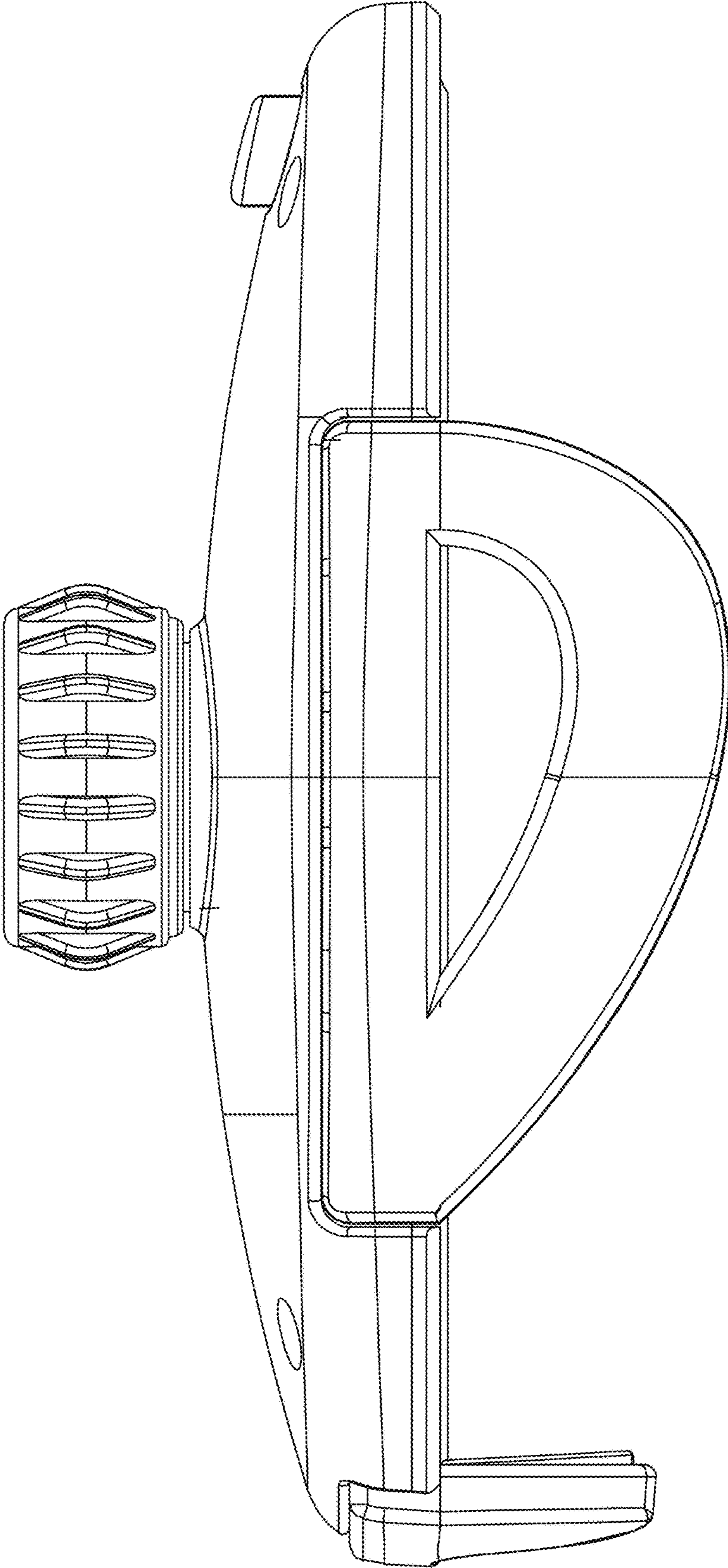


FIG. 4

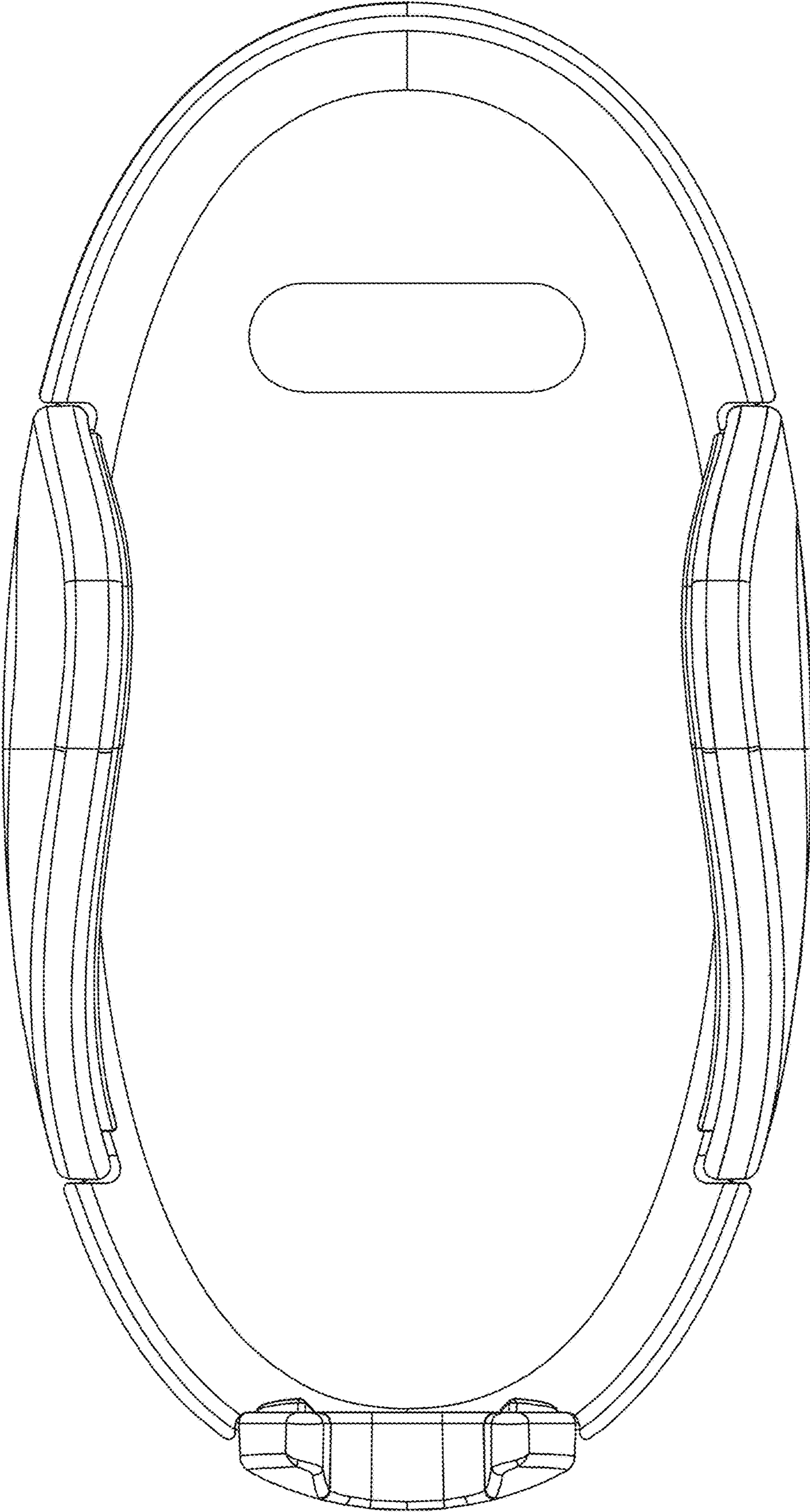


FIG. 5

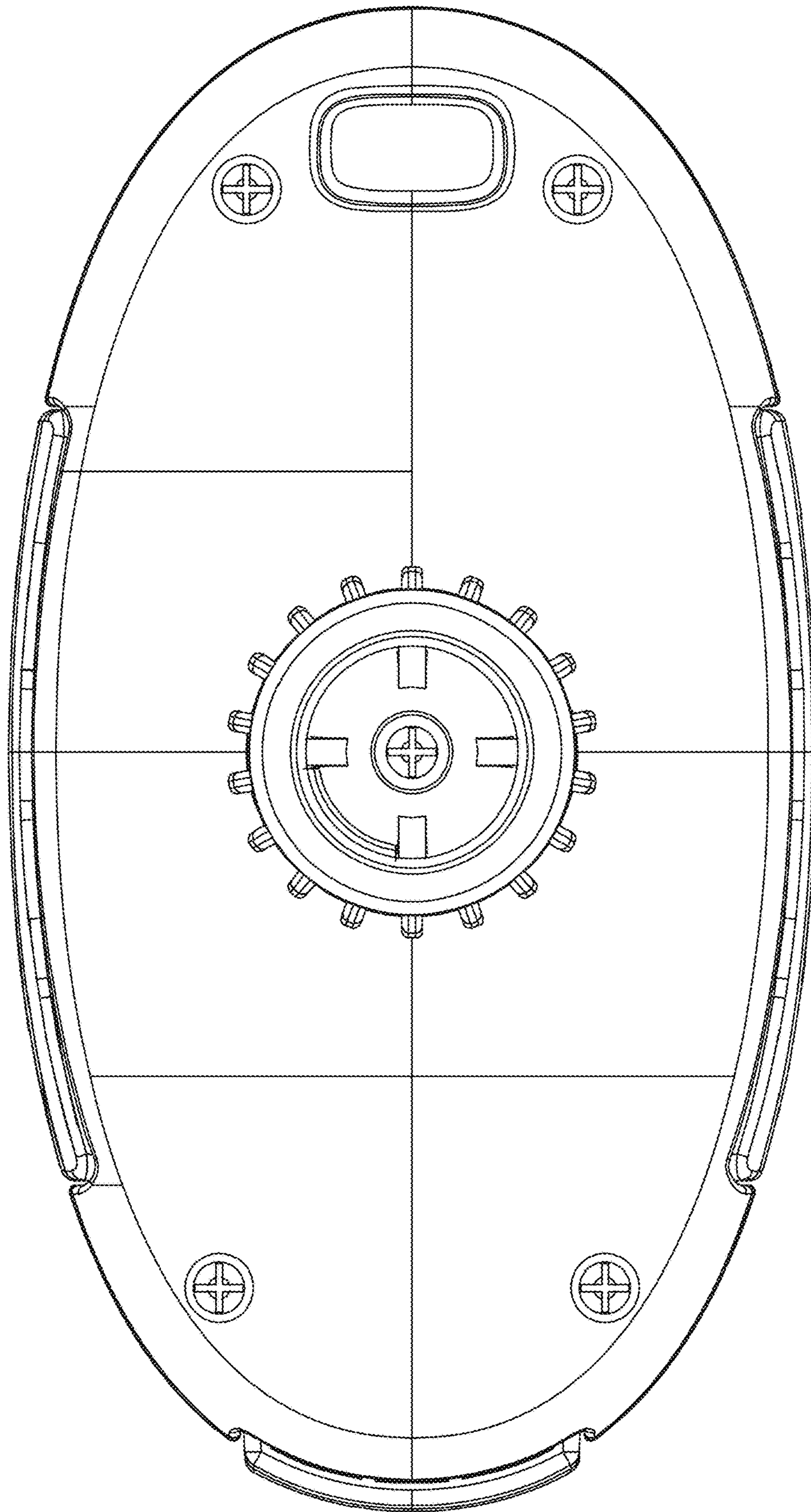


FIG. 6

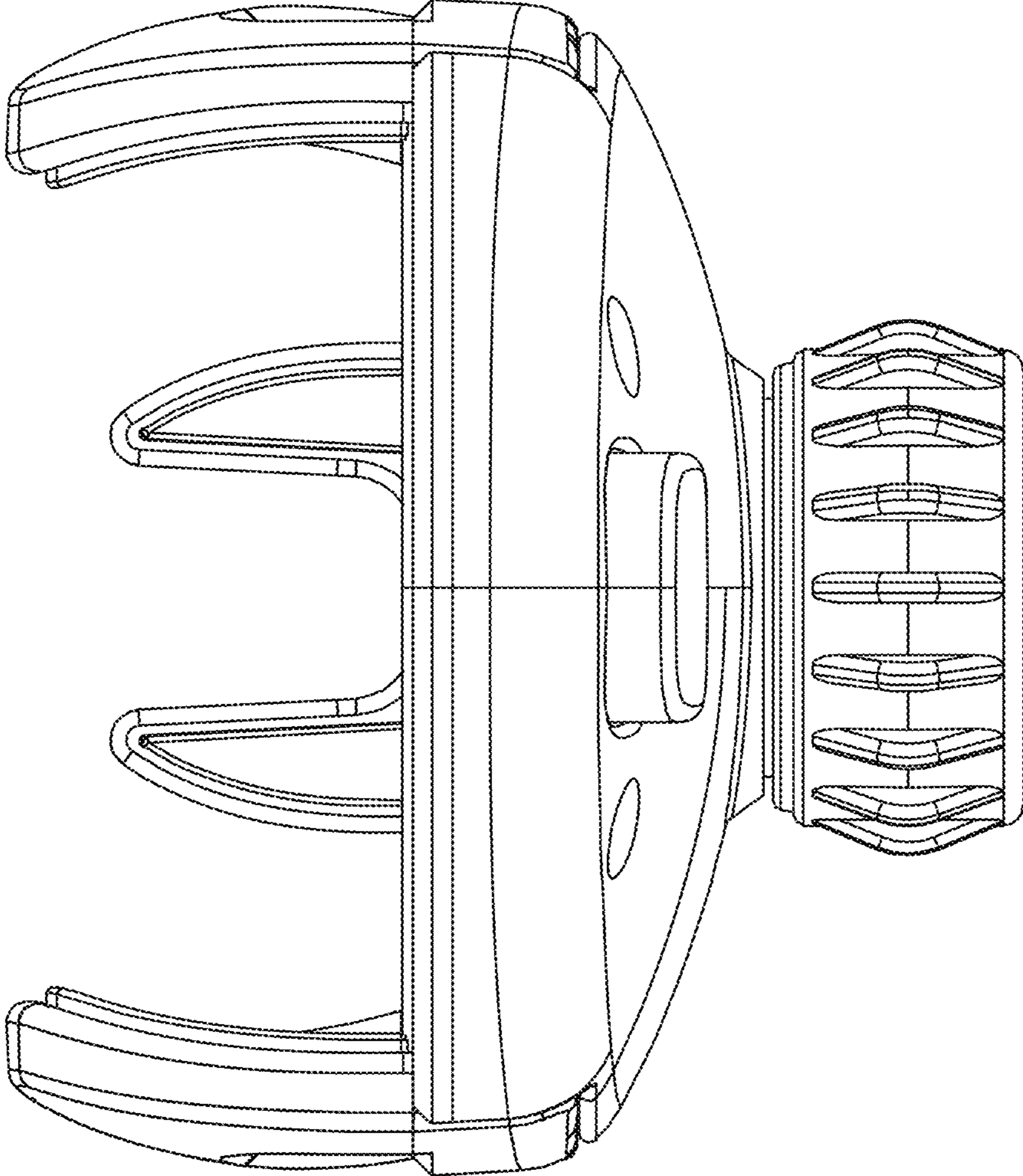


FIG. 7



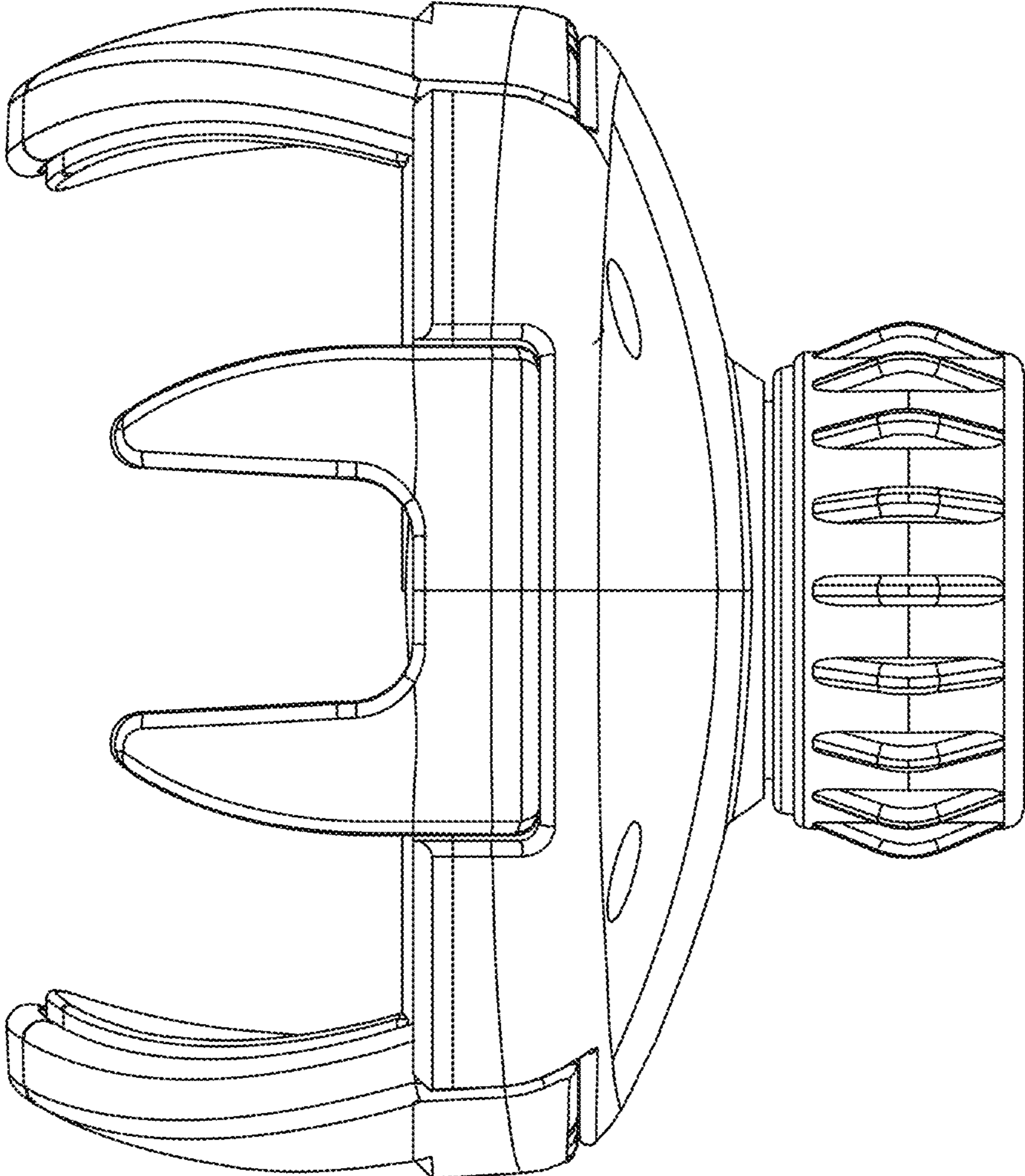


FIG. 8