



US00D982498S

(12) **United States Design Patent** (10) **Patent No.:** **US D982,498 S**  
**Mora et al.** (45) **Date of Patent:** **\*\* Apr. 4, 2023**

(54) **RIM PROTECTOR**

FOREIGN PATENT DOCUMENTS

(71) Applicant: **1Lss, Inc**, Los Angeles, CA (US)

EP 1939012 7/2008  
WO 19197751 10/2019  
WO 20025867 2/2020

(72) Inventors: **Fernando Mora**, Reseda, CA (US);  
**Alejandro Baca**, Sherman Oaks, CA (US);  
**Mydul R. Islam**, Los Angeles, CA (US);  
**Kevin H. Vuong**, Baldwin Park, CA (US)

\* cited by examiner

*Primary Examiner* — Khawaja Anwar  
(74) *Attorney, Agent, or Firm* — Thomas Coester  
Intellectual Property

(73) Assignee: **1Lss Inc**, Los Angeles, CA (US)

(\*\*) Term: **15 Years**

(57) **CLAIM**

The ornamental design for a rim protector, as shown and described.

(21) Appl. No.: **29/868,532**

**DESCRIPTION**

(22) Filed: **Dec. 6, 2022**

(51) **LOC (14) Cl.** ..... **12-03**

(52) **U.S. Cl.**  
USPC ..... **D12/213**

(58) **Field of Classification Search**  
USPC ..... D12/204–213  
See application file for complete search history.

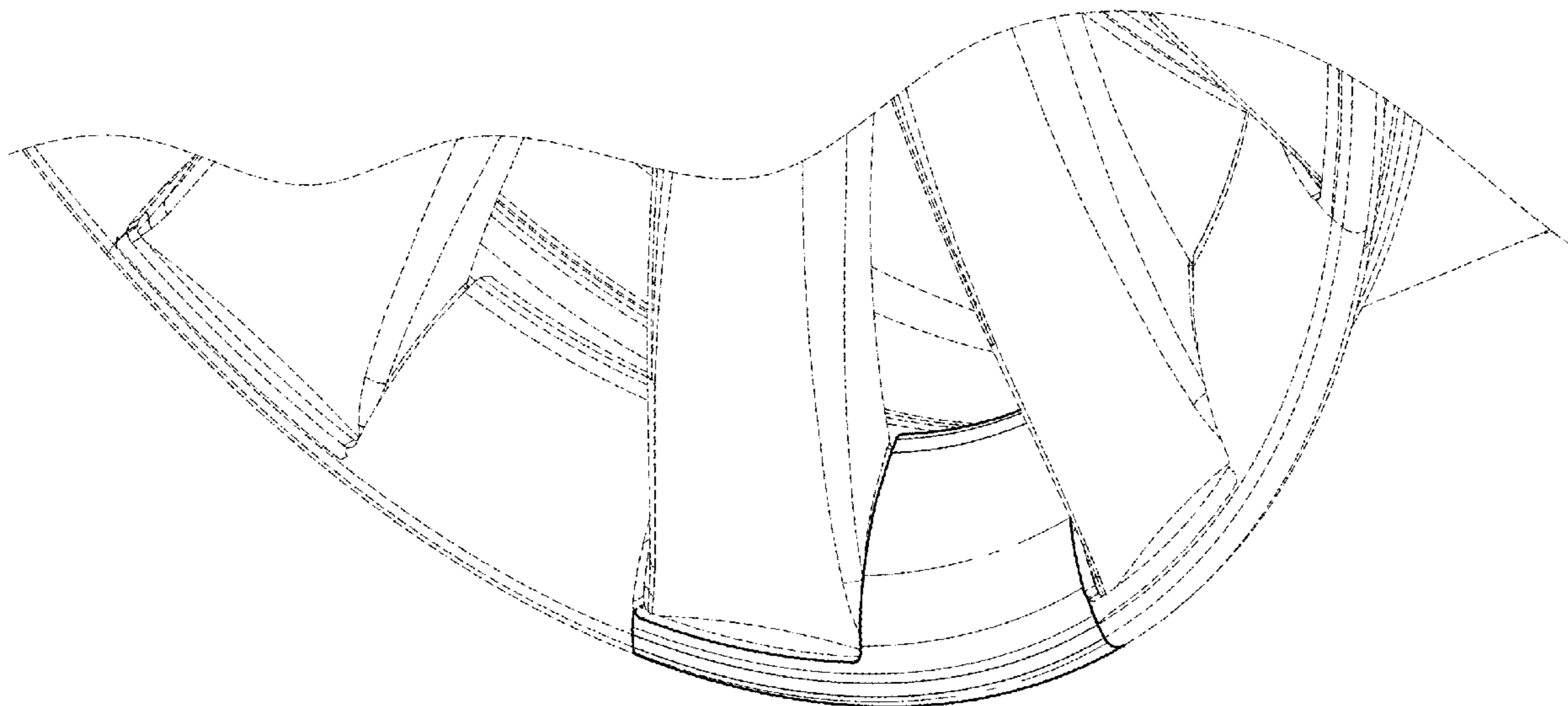
FIG. 1 is a front, bottom perspective in the environment of an unclaimed wheel of a rim protector according to one embodiment of the invention.  
FIG. 2 is a front, top, right side perspective of a rim protector of FIG. 1.  
FIG. 3 is a rear, bottom, left side perspective view of the rim protector of FIG. 1.  
FIG. 4 is a front elevation view of the rim protector of FIG. 1.  
FIG. 5 is a rear elevation view of the rim protector of FIG. 1.  
FIG. 6 is a left side elevation view of the rim protector of FIG. 1.  
FIG. 7 is a right side elevation view of the rim protector of FIG. 1.  
FIG. 8 is a top plan view of the rim protector of FIG. 1; and, FIG. 9 is a bottom plan view of the rim protector of FIG. 1.  
The broken lines shown in the drawings are for environmental purposes only and form no part of the claimed design.

(56) **References Cited**

U.S. PATENT DOCUMENTS

7,296,860 B2 \* 11/2007 Dangleman ..... B60B 7/06  
301/37.11  
D556,676 S \* 12/2007 Montesinos ..... D12/604  
8,459,752 B2 6/2013 Russell  
D703,604 S \* 4/2014 Milicevic ..... D12/213  
D745,447 S \* 12/2015 Bowden ..... D12/213  
D747,257 S \* 1/2016 Bowden ..... D12/213  
D788,012 S \* 5/2017 Hughes ..... D12/212  
D833,953 S \* 11/2018 Hughes ..... D12/212  
D904,964 S \* 12/2020 Taqvi ..... D12/213  
D941,734 S \* 1/2022 Alperstein ..... D12/213  
11,383,551 B2 7/2022 Kapoor  
2009/0302670 A1 12/2009 Flynn

**1 Claim, 7 Drawing Sheets**



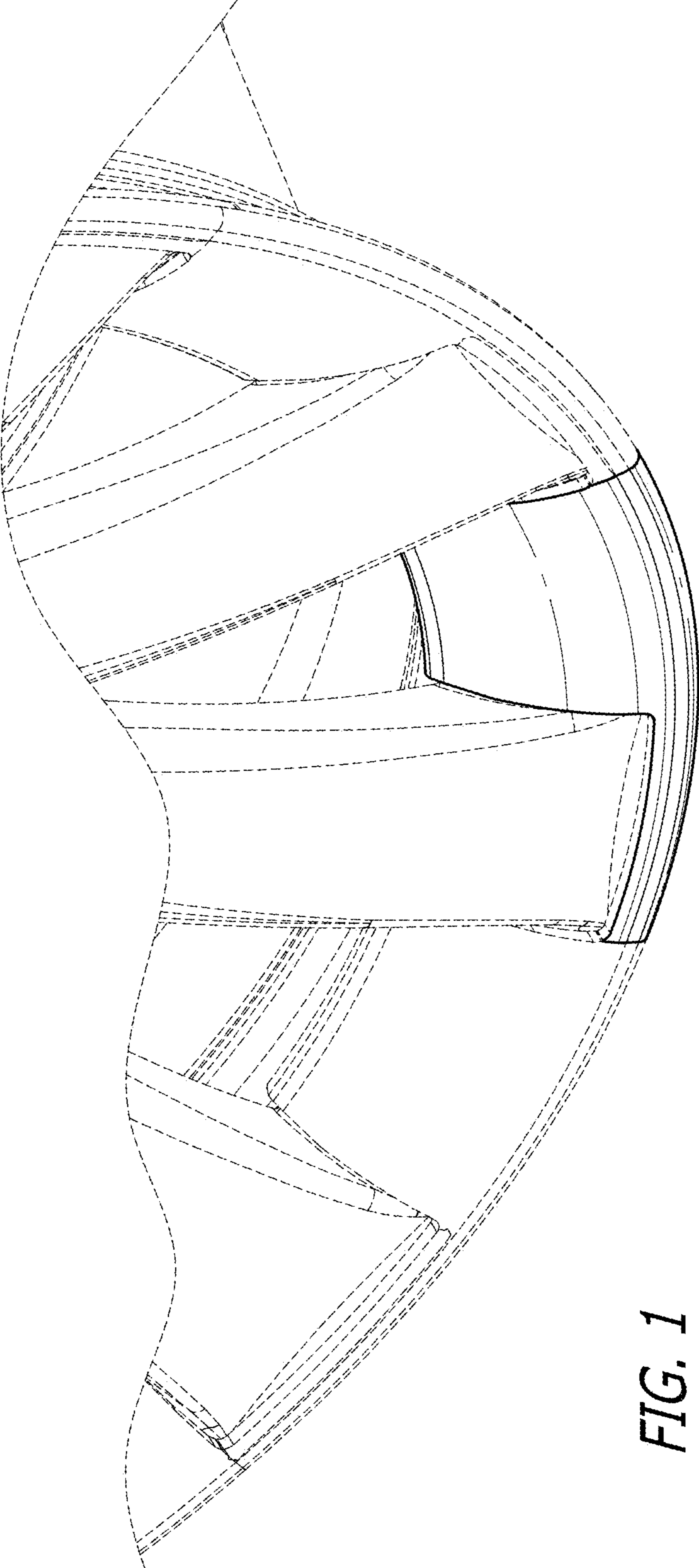


FIG. 1

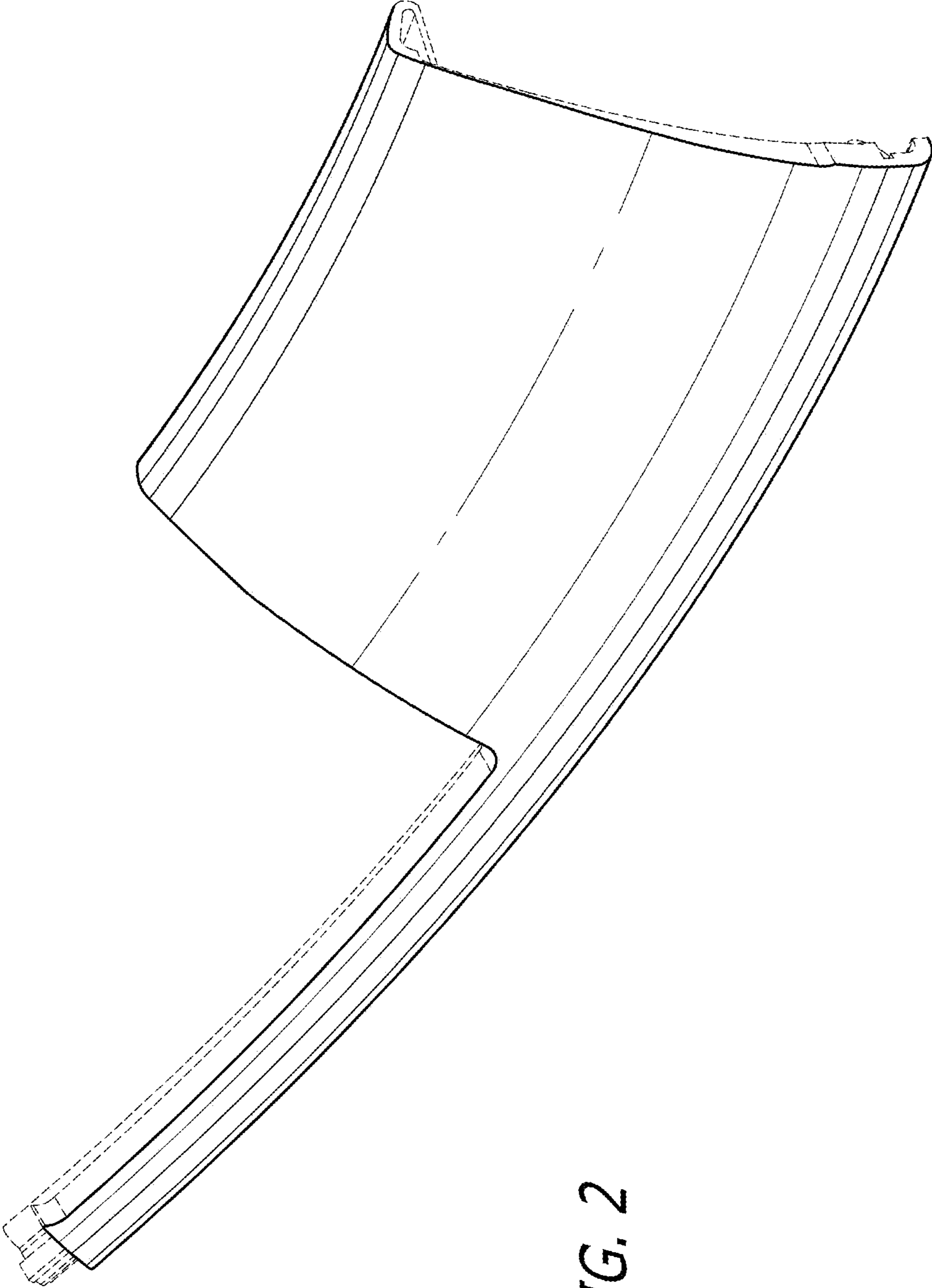


FIG. 2

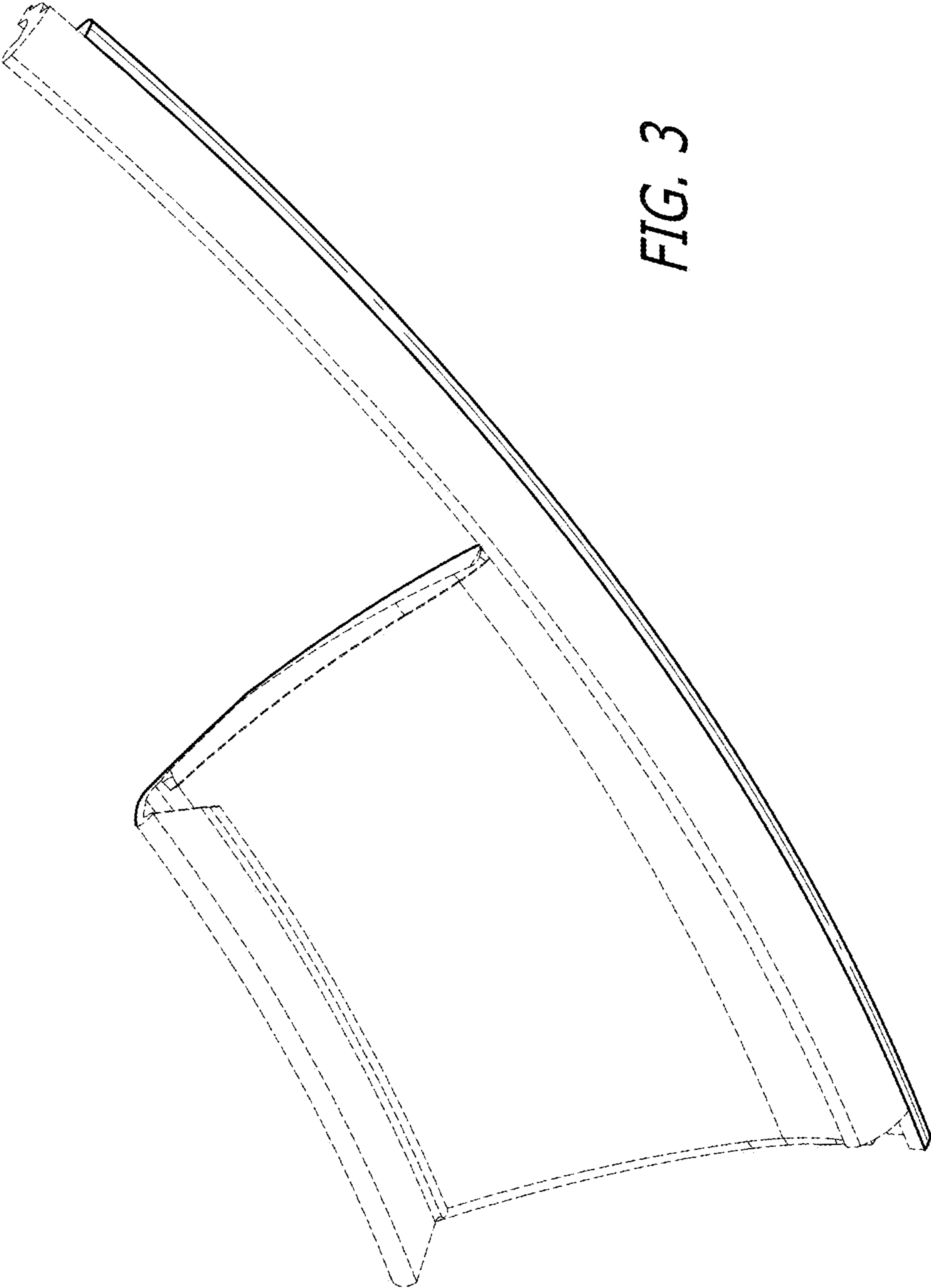


FIG. 3

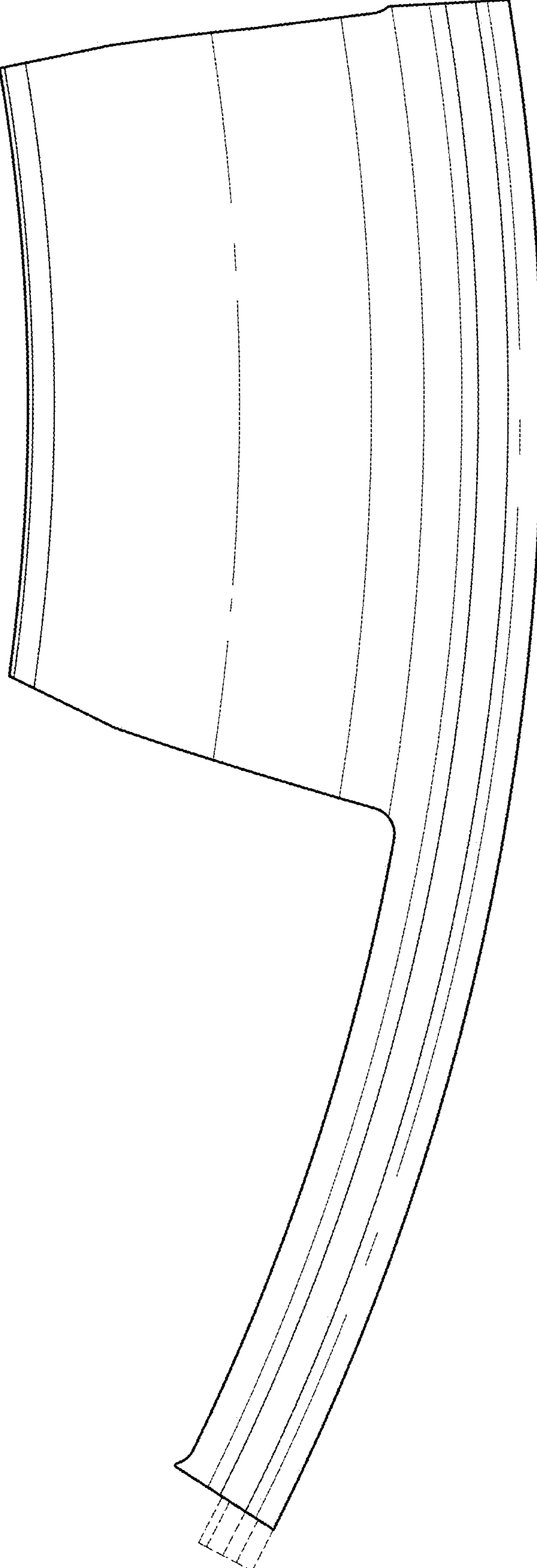
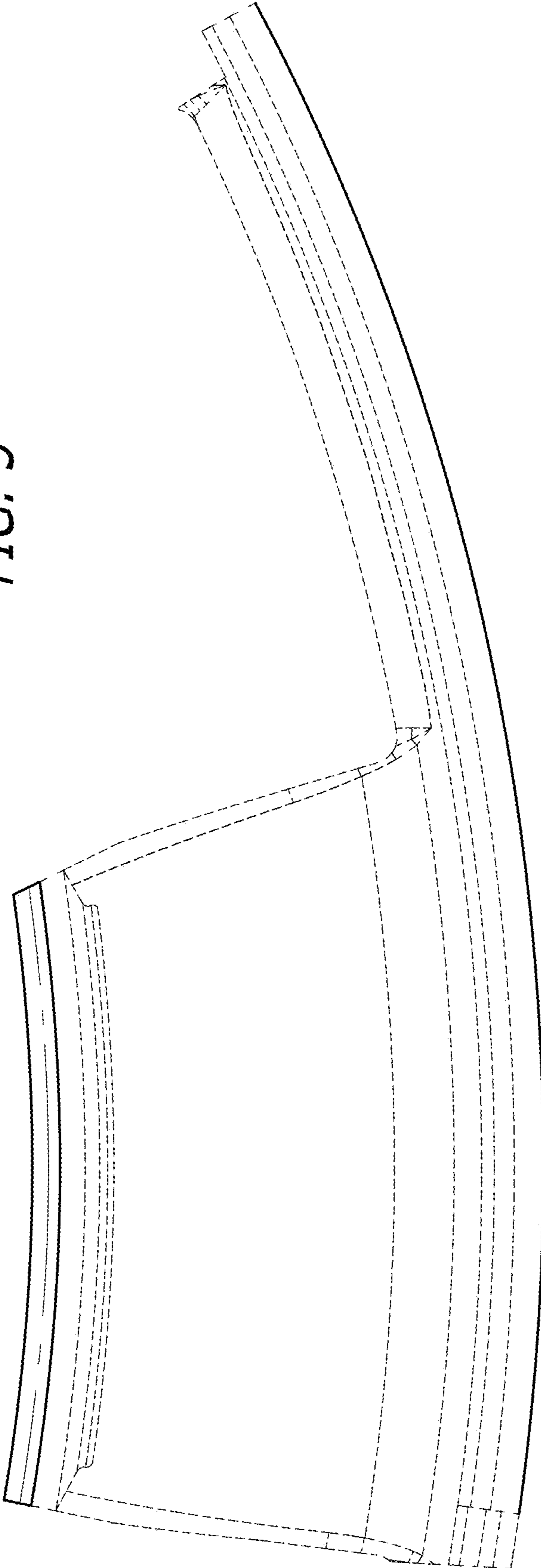


FIG. 4

FIG. 5



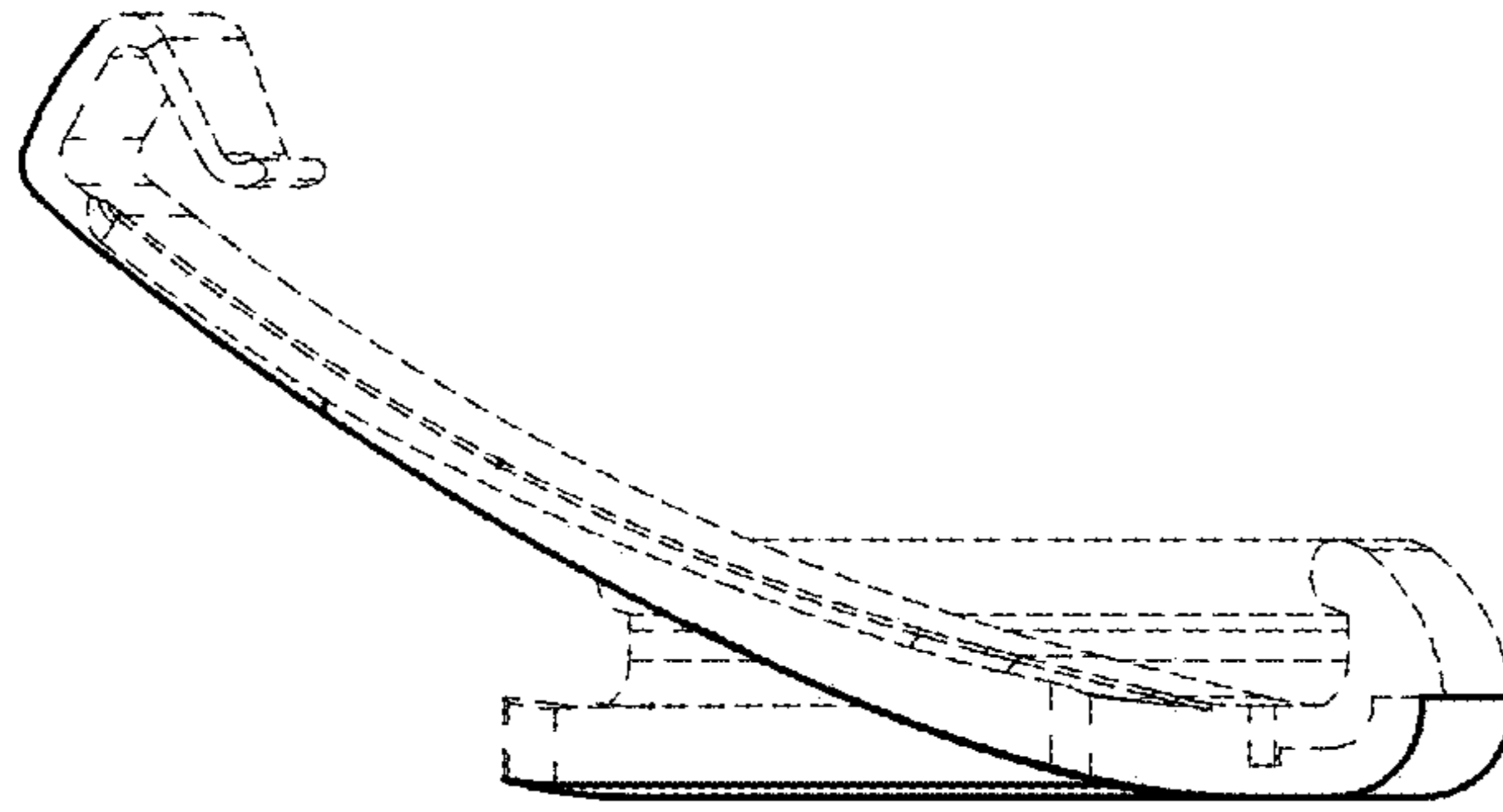


FIG. 7

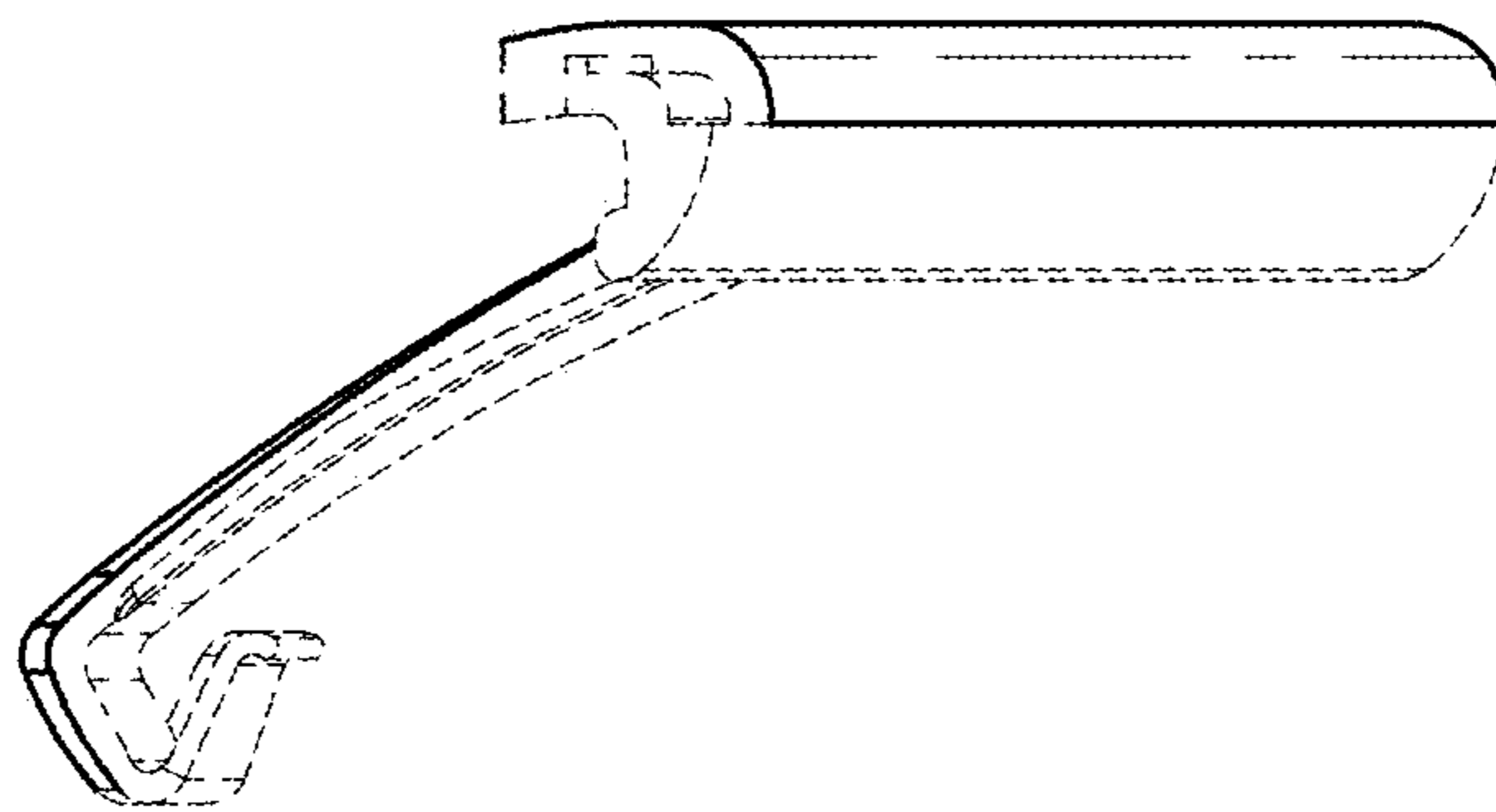


FIG. 6

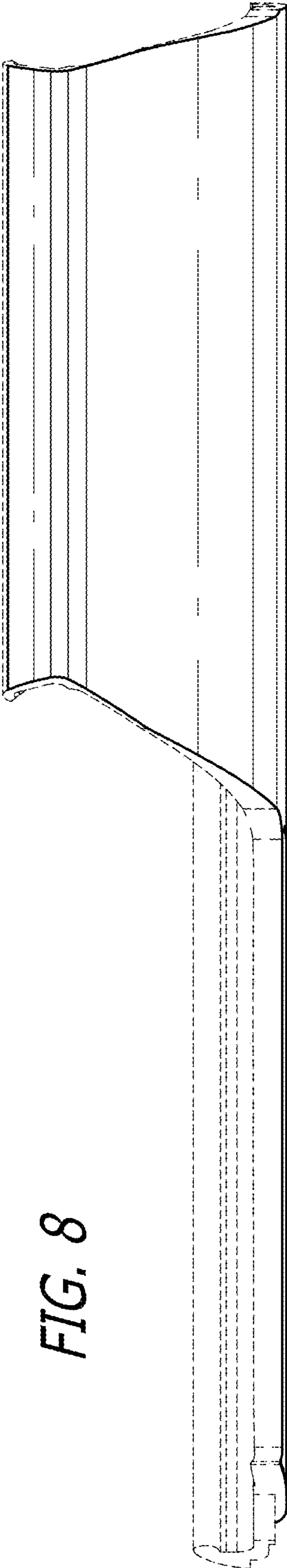


FIG. 8

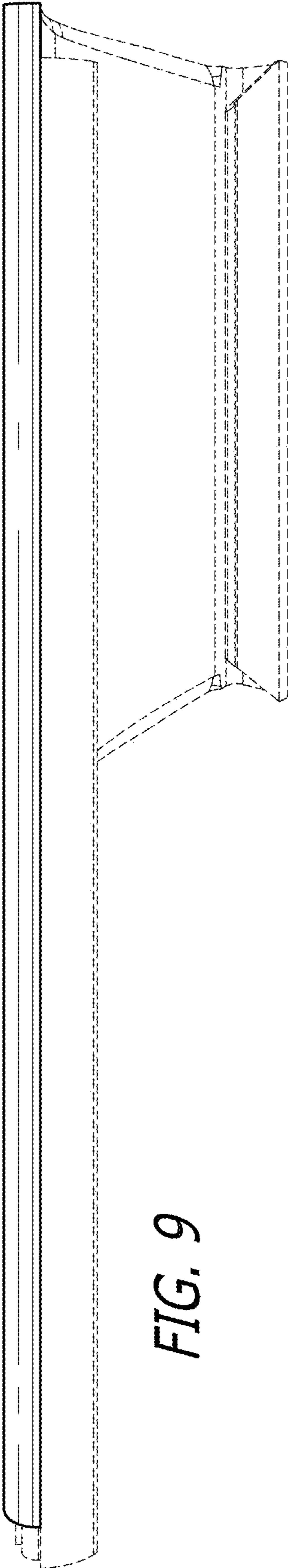


FIG. 9