



US00D982496S

(12) **United States Design Patent** (10) **Patent No.:** **US D982,496 S**
Goodrich et al. (45) **Date of Patent:** **** Apr. 4, 2023**

(54) **WHEEL RIM**

FOREIGN PATENT DOCUMENTS

(71) Applicant: **Rivian IP Holdings, LLC**, Plymouth, MI (US)

CN 304095142 * 4/2017
CN 306991580 * 12/2021

(Continued)

(72) Inventors: **Stephen Goodrich**, Irvine, CA (US);
Jonathan Szczupak, Orange, CA (US);
Justin Famularo, Grosse Pointe Park, MI (US)

OTHER PUBLICATIONS

(73) Assignee: **Rivian IP Holdings, LLC**, Irvine, CA (US)

Steel Rim, New Aftermarket Wheel, 16x6.5, 5x114.3, 71.5, 40, black finish X99182N, available in Amazon.com, date first available Apr. 20, 2022 [online], [site visited Oct. 31, 2022]. Available from the internet URL: https://www.amazon.com/Aftermarket-16X6-5-5X114-3-finish-X99182N/dp/B09YG2JN7V/ref=sr_1_2?crid=3HUF8WHT77M2&

(**) Term: **15 Years**

(Continued)

(21) Appl. No.: **29/801,408**

(22) Filed: **Jul. 28, 2021**

Primary Examiner — Darlington Ly

Assistant Examiner — D. Ryan Tisdale

(51) **LOC (14) Cl.** **12-16**

(74) *Attorney, Agent, or Firm* — Clements Bernard

(52) **U.S. Cl.**

Walker; Christopher L. Bernard

USPC **D12/209**

(58) **Field of Classification Search**

(57) **CLAIM**

USPC D12/204–213; D21/563
CPC B60B 7/00; B60B 7/02; B60B 7/04; B60B 7/06; B60B 3/02; B60B 3/04; B60B 3/06; B60B 3/08; B60B 3/10
See application file for complete search history.

The ornamental design for wheel rim, as shown and described.

DESCRIPTION

(56) **References Cited**

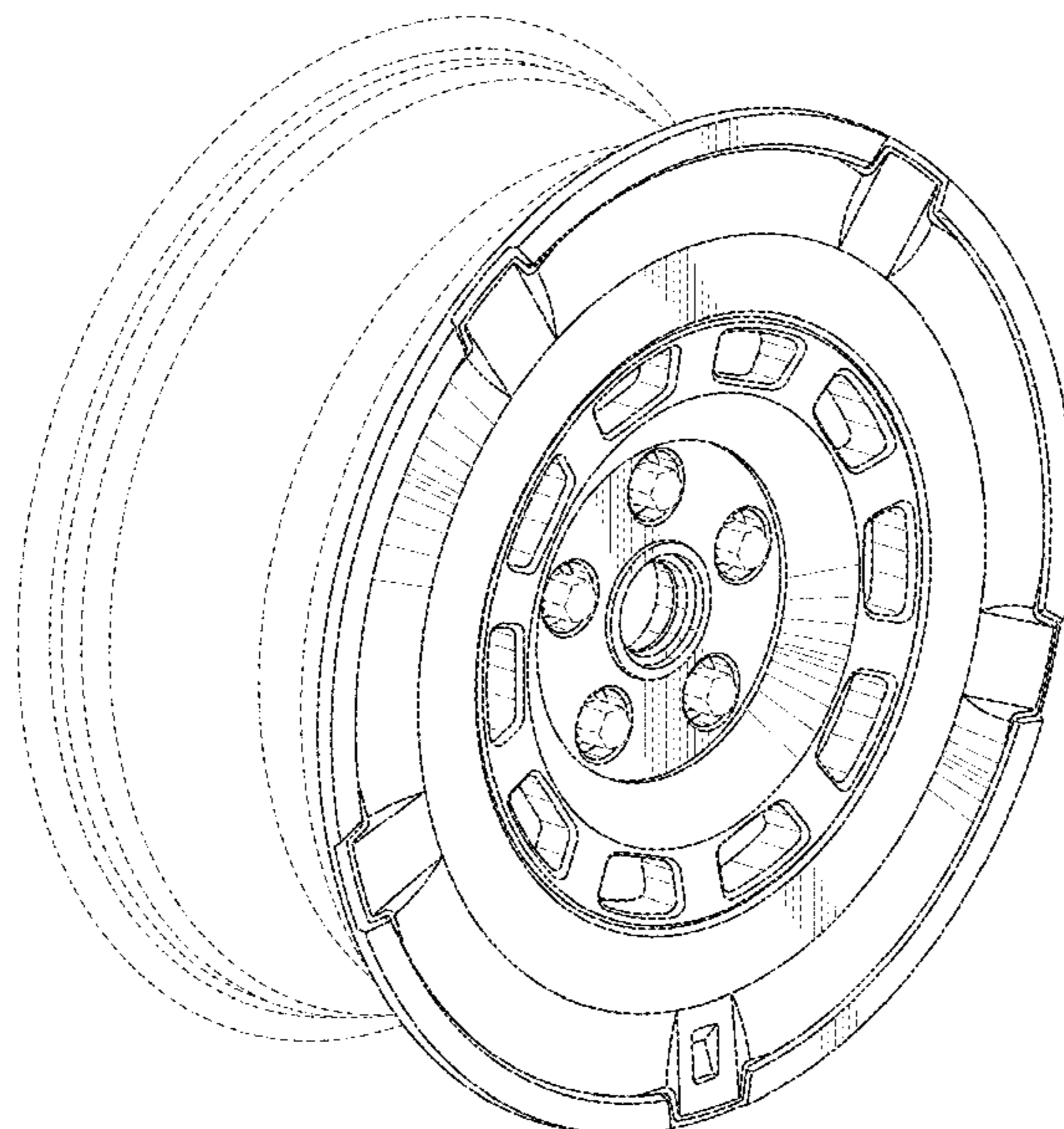
FIG. 1 is a front perspective view of a wheel rim.
FIG. 2 is a rear perspective view of the wheel rim of FIG. 1.
FIG. 3 is a front elevation view of the wheel rim of FIG. 1.
FIG. 4 is a left side elevation view of the wheel rim of FIG. 1.
FIG. 5 is a rear elevation view of the wheel rim of FIG. 1.
FIG. 6 is a top plan view of the wheel rim of FIG. 1; and, FIG. 7 is a bottom plan view of the wheel rim of FIG. 1.
The broken lines in the drawings illustrate portions of the wheel rim that form no part of the claimed design.

U.S. PATENT DOCUMENTS

2,130,207 A * 9/1938 Van Halteren B60B 7/00
301/35.626
D265,984 S * 8/1982 Main D12/212
D285,676 S * 9/1986 Clark D12/209
D375,478 S * 11/1996 Pfeiffer D12/209
D432,070 S * 10/2000 Melbinger D12/210
D496,315 S * 9/2004 Pfeiffer D12/209
D702,171 S * 4/2014 Chen D12/209
D763,768 S * 8/2016 Henderson D12/211
D902,822 S * 11/2020 Carbis D12/209

(Continued)

1 Claim, 7 Drawing Sheets



(56)

References Cited

U.S. PATENT DOCUMENTS

D966,984 S * 10/2022 Carbis D12/209

FOREIGN PATENT DOCUMENTS

CN 307222244 * 4/2022
TW 220833-0001 * 9/2020

OTHER PUBLICATIONS

Pacer 83B Fwd Black Mod Black Wheel (16x6.5"/5x4.50", +42mm Offset), available in Amazon.com, date first available Aug. 12, 2014 [online], [site visited Oct. 31, 2022], Available from the internet URL: https://www.amazon.com/Pacer-BLACK-16x6-5-5x4-50-Offset/dp/B00MNTDEB8/ref=sr_1_9?crid=3HUF8WHT77M2&keywords=rims&qid=16672.*

Vision Rally 55 Silver Wheel (15x7"/5x4.5"), available in Amazon.com, date first available Apr. 25, 2012 [online], [site visited Oct. 31, 2022], Available from the internet URL: https://www.amazon.com/Vision-Rally-Silver-Wheel-5x4-5/dp/B009HSJAJ8/ref=sr_1_53?crid=3HUF8WHT77M2&keywords=rims&qid=1667230412&q....*

* cited by examiner

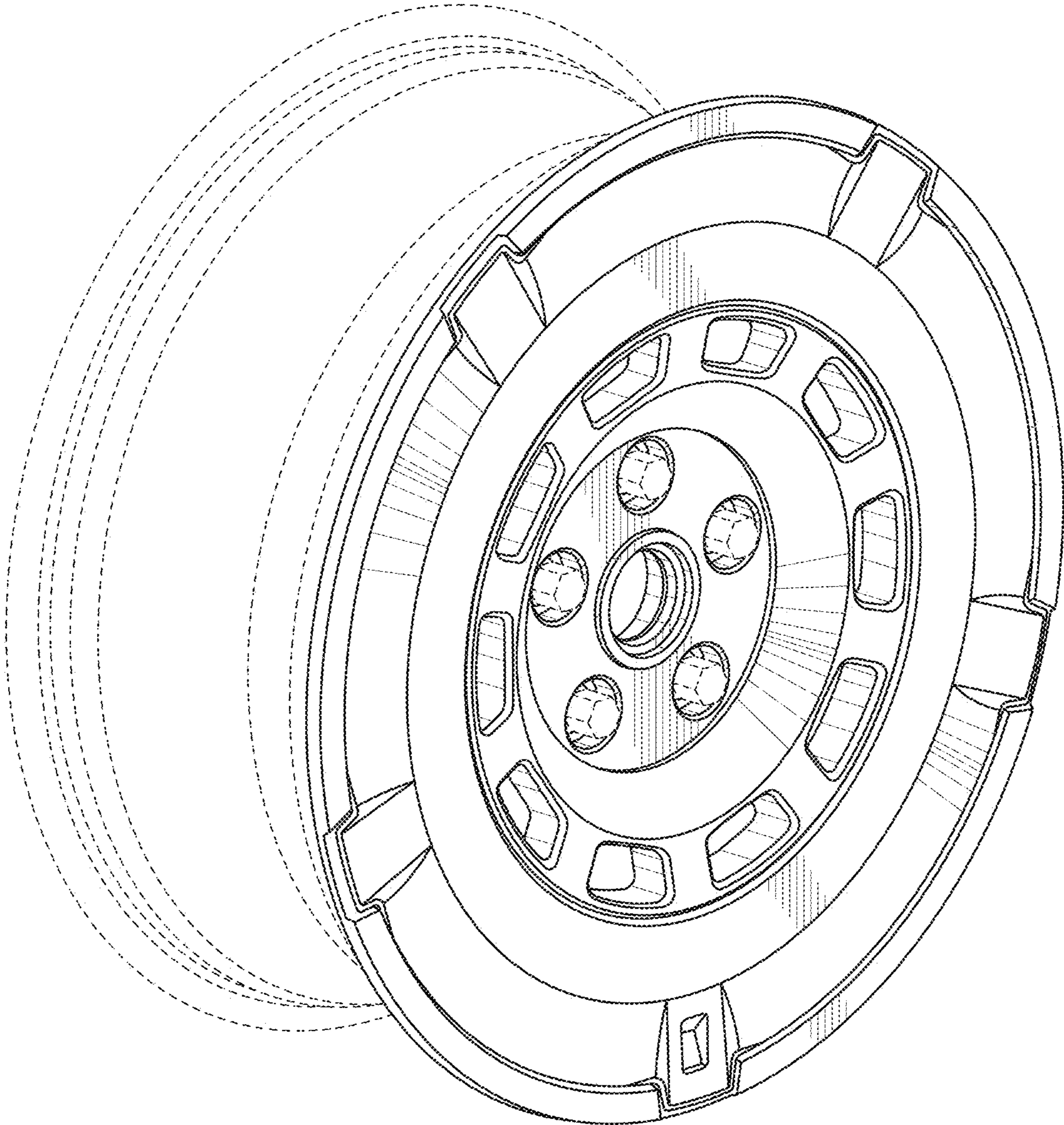


FIG. 1

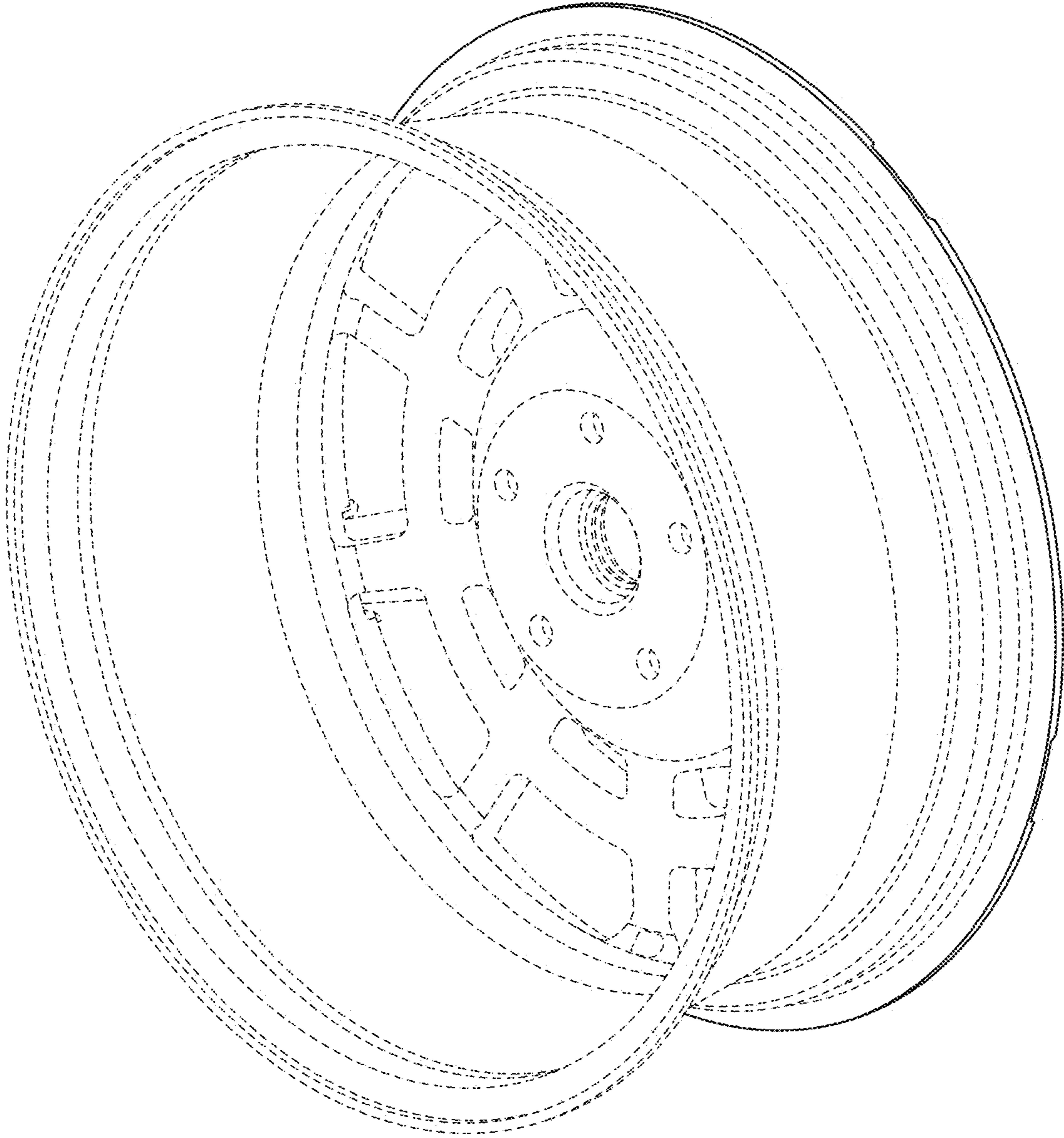


FIG. 2

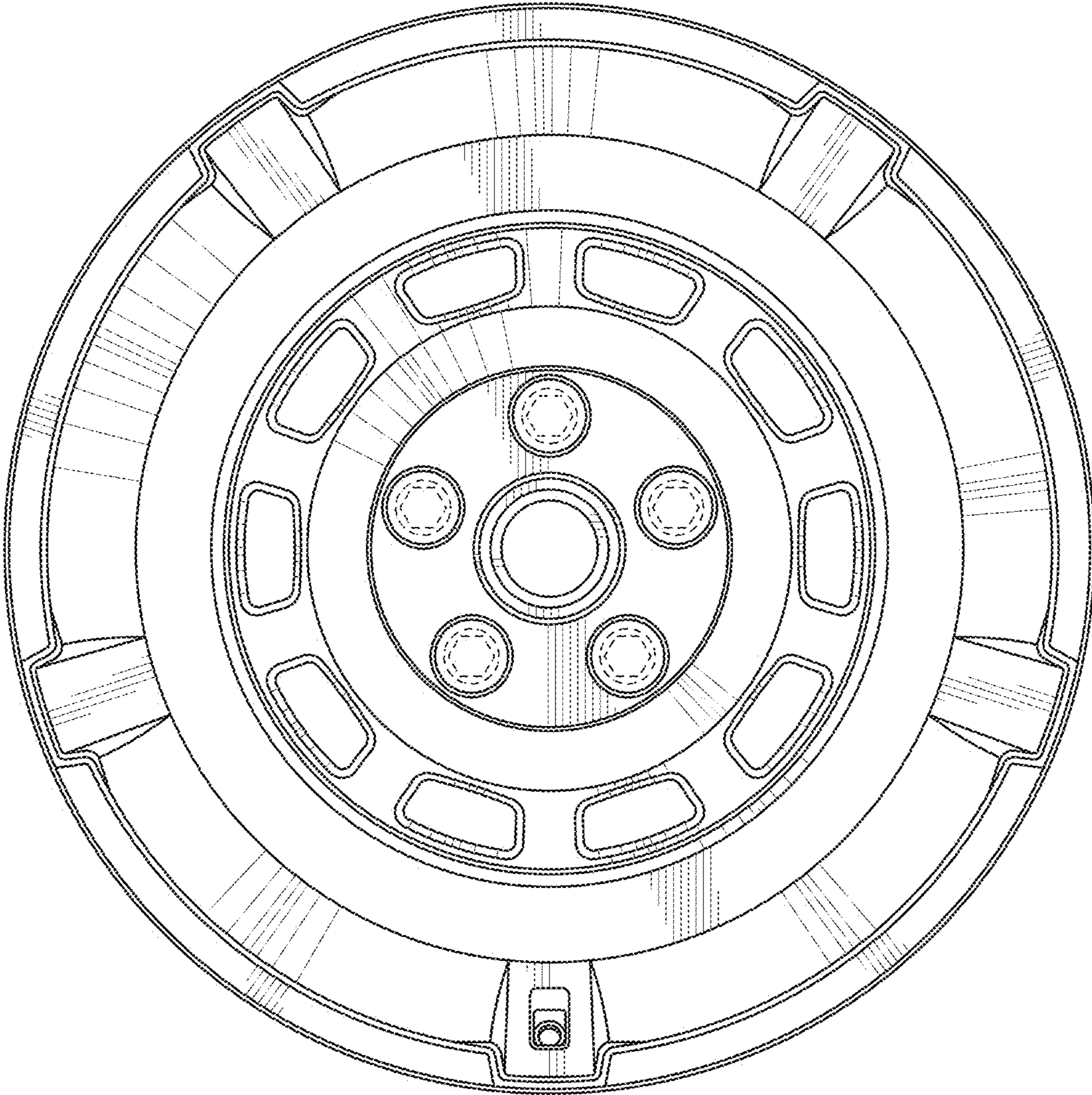


FIG. 3

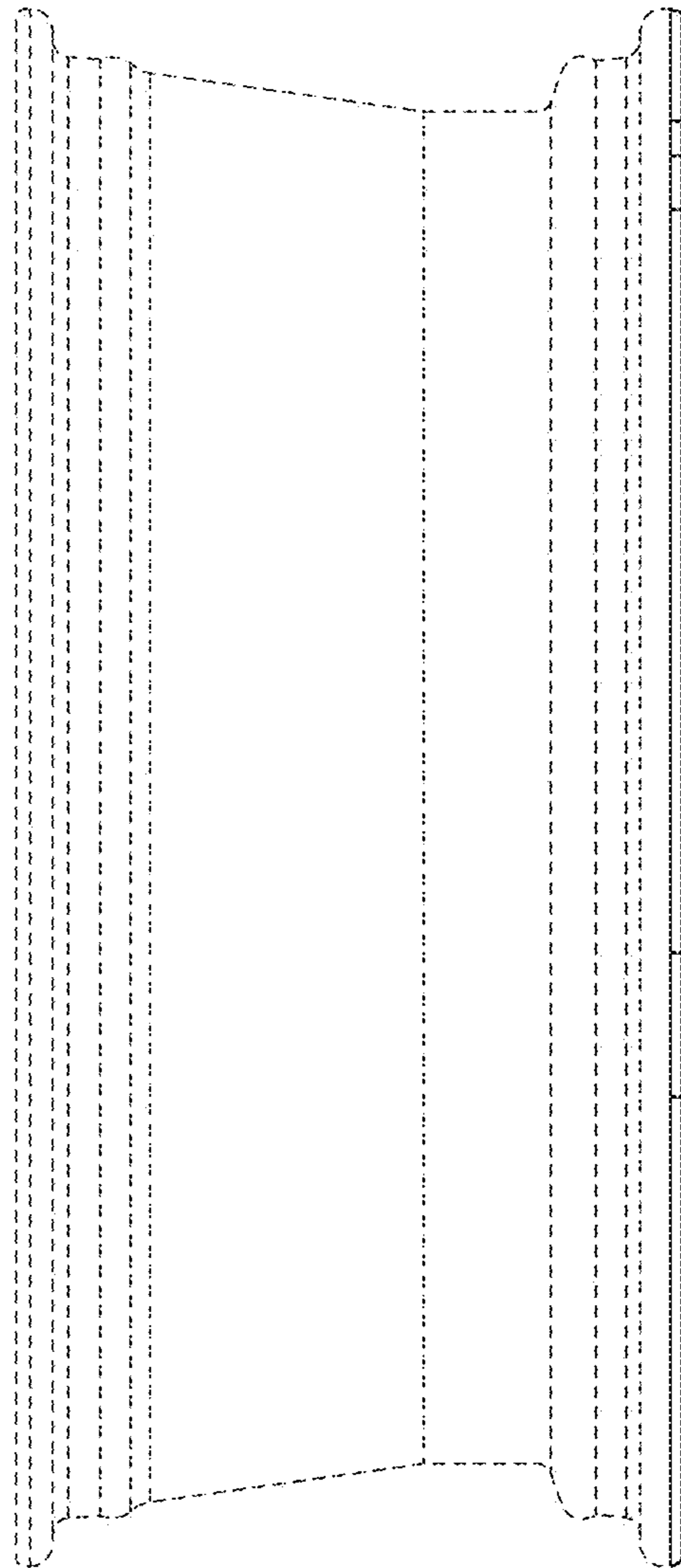


FIG. 4

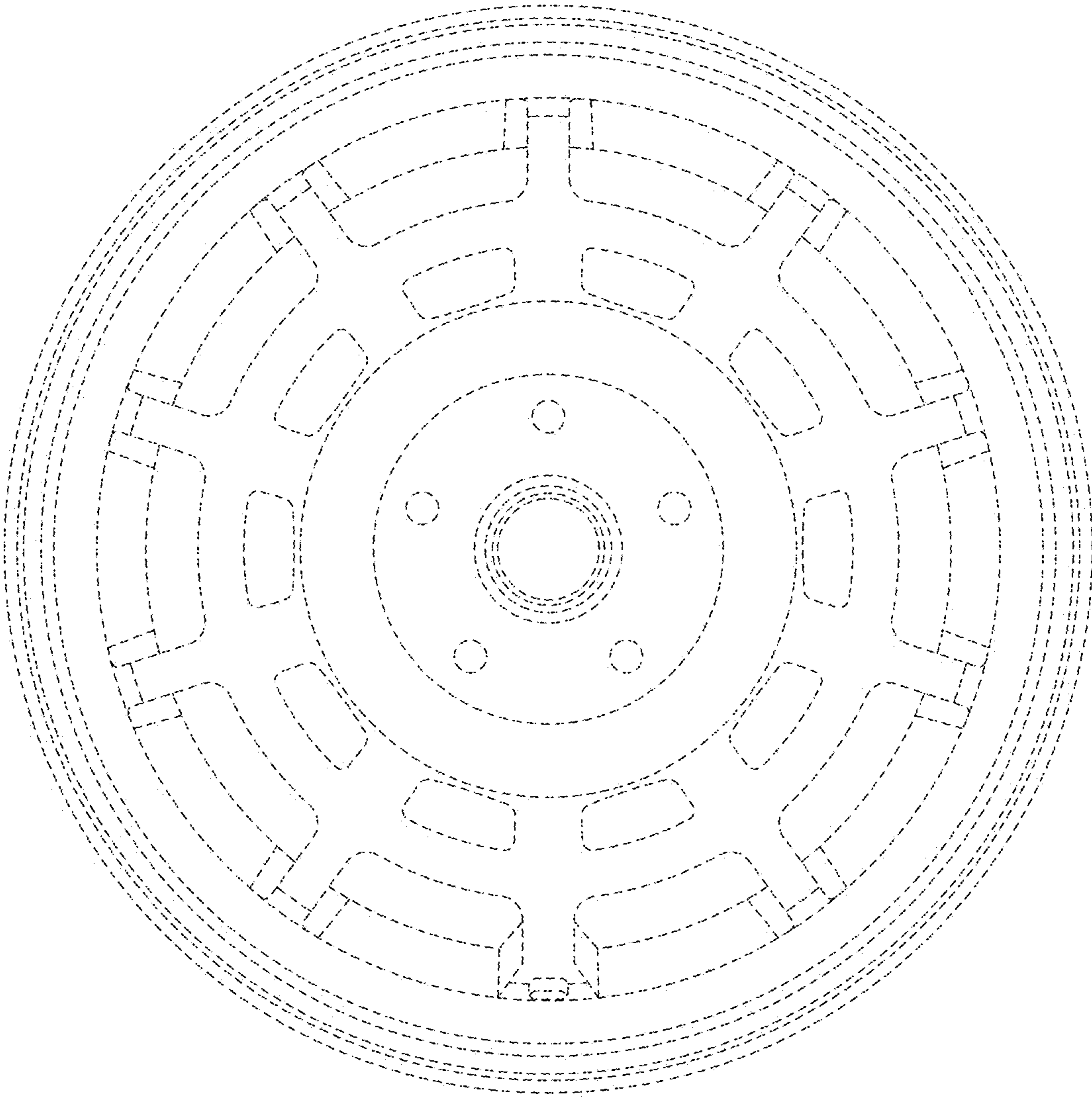


FIG. 5

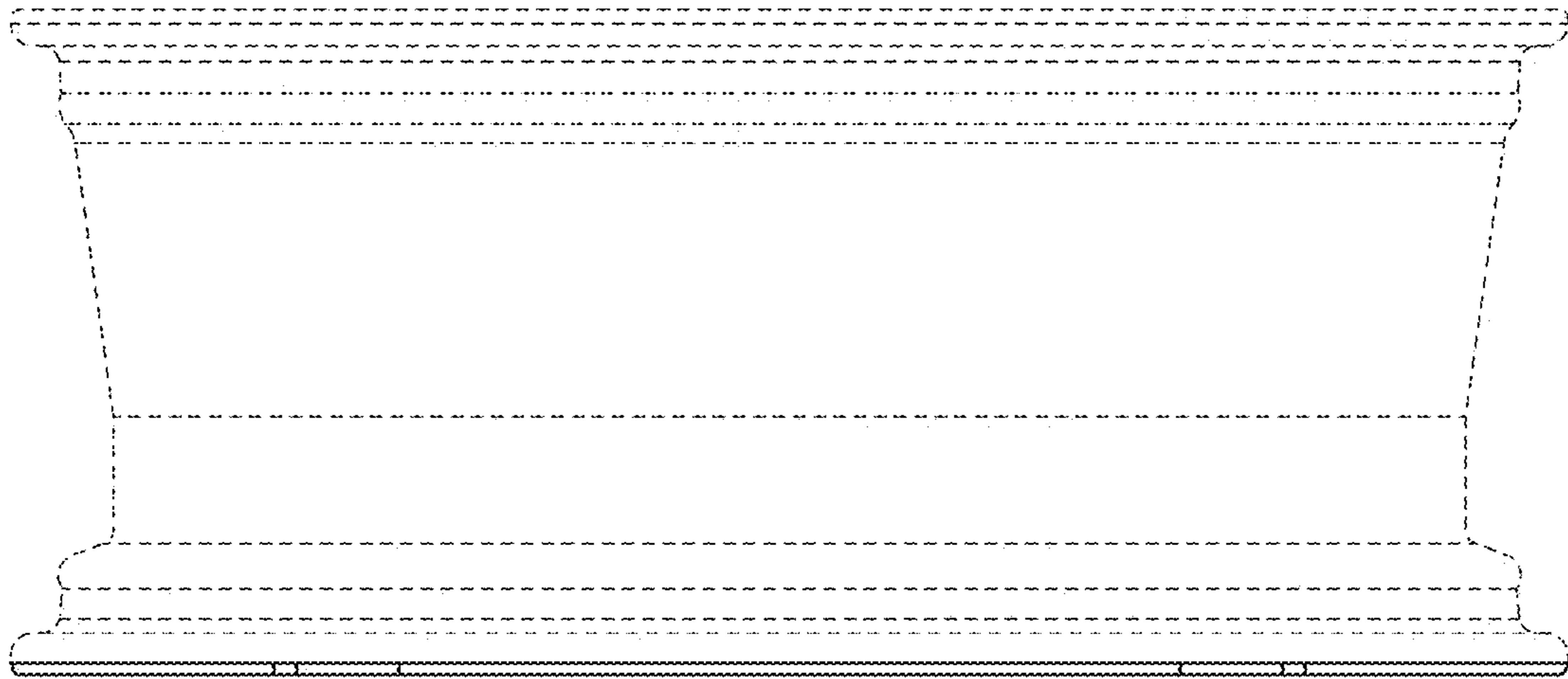


FIG. 6

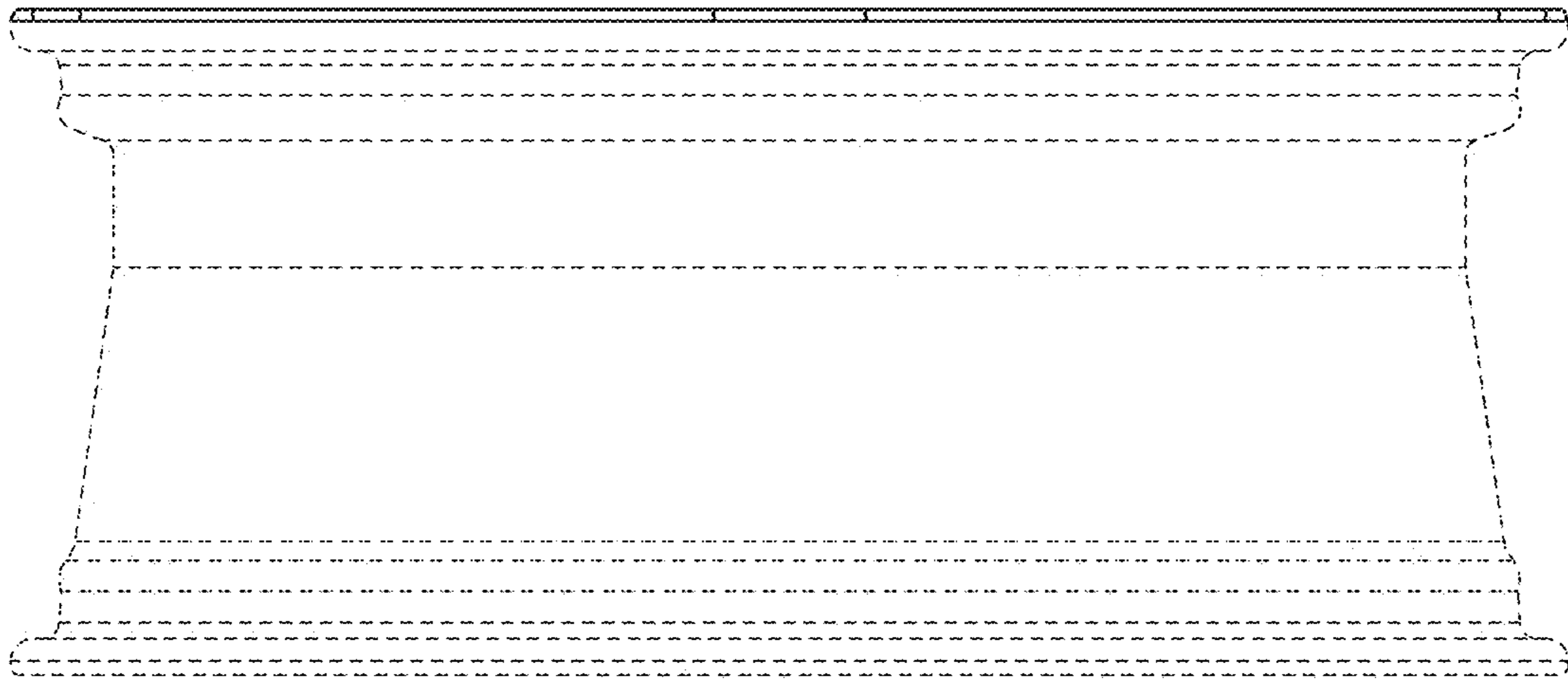


FIG. 7