



US00D982495S

(12) **United States Design Patent** (10) **Patent No.:** **US D982,495 S**
Sempek (45) **Date of Patent:** **** Apr. 4, 2023**

(54) **WHEEL RIM**
(71) Applicant: **Allied Wheel Components**, Garden Grove, CA (US)
(72) Inventor: **Christopher Sean Sempek**, Long Beach, CA (US)
(73) Assignee: **Allied Wheel Components**, Garden Grove, CA (US)
(**) Term: **15 Years**

D529,426 S 10/2006 Metros
D534,473 S 1/2007 Bernoni
D538,215 S 3/2007 Laengerer
D542,210 S 5/2007 Plumer
D543,922 S 6/2007 Young
D555,065 S 11/2007 Hernandez
D587,179 S 2/2009 Pfeiffer
D608,711 S 1/2010 Juergens
D609,624 S 2/2010 Matsubara
D617,710 S 6/2010 Ectors
D619,070 S 7/2010 Pollmann
D620,862 S 8/2010 Pollmann
D623,110 S 9/2010 Juergens
D628,948 S 12/2010 Chung

(Continued)

(21) Appl. No.: **29/774,977**

(22) Filed: **Mar. 19, 2021**

(51) **LOC (14) Cl.** **12-16**

(52) **U.S. Cl.**
USPC **D12/209**

(58) **Field of Classification Search**
USPC D12/204, 208, 210, 211, 213; D21/563
CPC B60B 7/02; B60B 3/02; B60B 7/04; B60B 7/06; B60B 3/04; B60B 3/06; B60B 3/10
See application file for complete search history.

(56) **References Cited**

U.S. PATENT DOCUMENTS

D58,279 S 10/1919 West
1,404,382 A 1/1922 Fine
1,530,863 A 10/1923 Vanderveer
D396,208 S 7/1998 Baumgartner
D450,649 S 11/2001 Penzes
D477,556 S 7/2003 Koch
D481,984 S 11/2003 Sulahian
D497,870 S 11/2004 Cahyono
D504,101 S 4/2005 Pfeiffer
D508,007 S 8/2005 Koch
D513,728 S 1/2006 Yazawa
D514,496 S * 2/2006 Neeper D12/211
D516,490 S 3/2006 Baer
D524,217 S 7/2006 Aoki
D526,263 S * 8/2006 Brown D12/209

OTHER PUBLICATIONS

American Trucks, Method Race Wheels MR304 Double Standard Machined 8-Lug, published Aug. 4, 2020 [Retrieved Jan. 31, 2023]. Retrieved from the internet<https://www.americantrucks.com/method-race-wheels-f350-mr304-double-standard-machined-wheel-17x85-0mm-offset-mr30478587300.html#customer_rev> (Year: 2020).*

(Continued)

Primary Examiner — Joseph Kukella
Assistant Examiner — Lavon M. Amerson
(74) *Attorney, Agent, or Firm* — Joseph A. Andelin; Fish IP Law, LLP

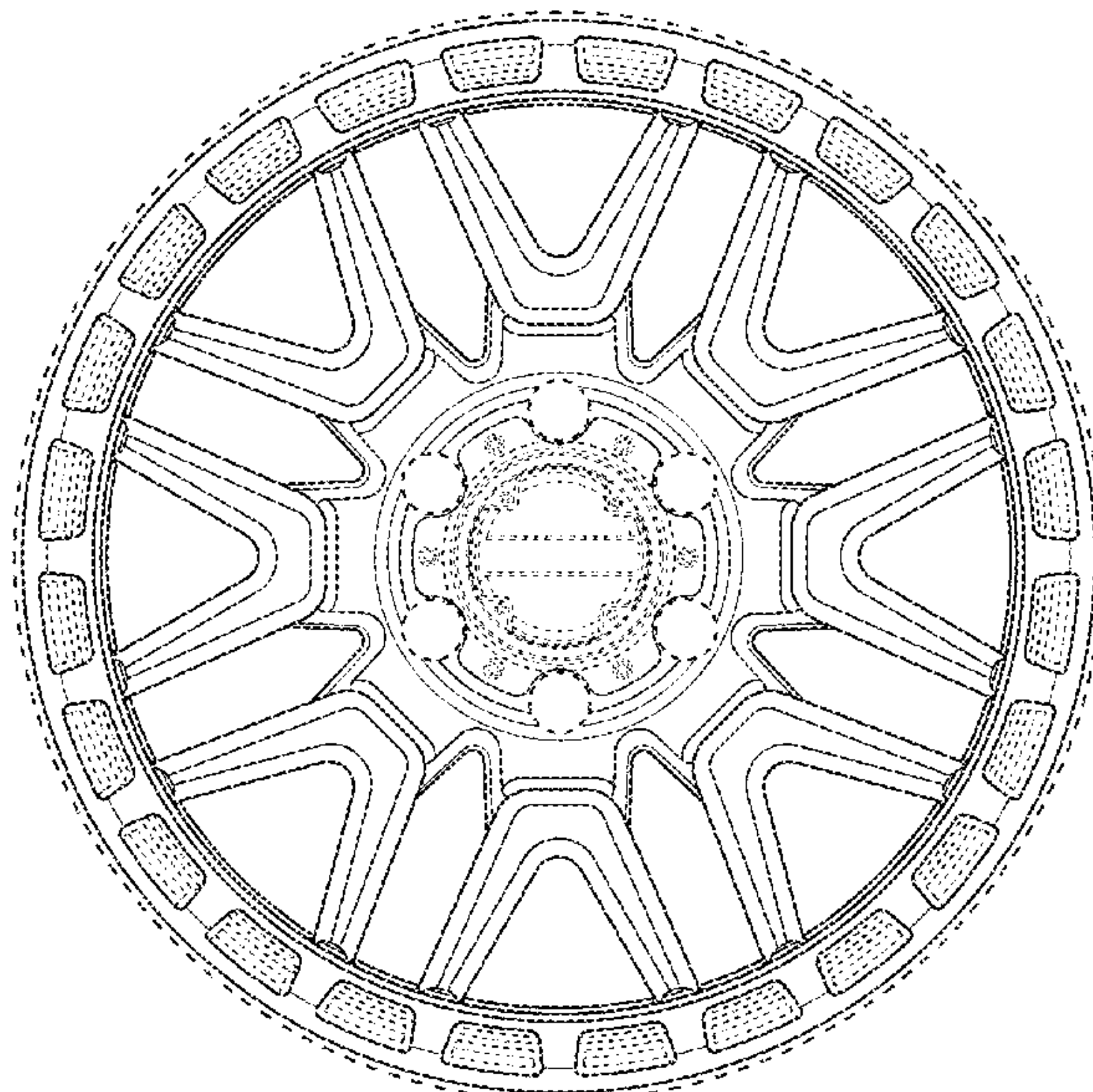
(57) **CLAIM**

I claim the ornamental design for a wheel rim, as shown and described.

DESCRIPTION

FIG. 1 is a front elevation view of a wheel rim of the new design; and, FIG. 2 is a top, front, right side perspective view thereof. The broken lines depicting portions of the wheel rim form no part of the claim.

1 Claim, 2 Drawing Sheets



(56)

References Cited

U.S. PATENT DOCUMENTS

D629,347 S 12/2010 Kim
 D632,239 S 2/2011 Gallert
 D639,222 S 6/2011 Johnson
 D644,587 S 9/2011 Gotschke
 D659,063 S 5/2012 Johnson
 D659,064 S * 5/2012 Johnson D12/209
 D660,220 S 5/2012 Chan
 D666,546 S 9/2012 Juergens
 D667,355 S 11/2012 Gotschke
 D682,180 S 5/2013 Zhao
 D688,190 S 8/2013 Hodges
 D691,542 S 10/2013 Chan
 D695,183 S 12/2013 Chung
 D702,173 S 4/2014 Perini
 D706,196 S 6/2014 Lee
 D714,708 S * 10/2014 Chung D12/211
 D715,722 S 10/2014 Johnson
 D717,224 S 11/2014 Kim
 D717,711 S 11/2014 Kern
 D720,271 S 12/2014 Mielke
 D721,318 S 1/2015 Kim
 D722,937 S 2/2015 Johnson
 D724,515 S 3/2015 Chung
 D726,089 S 4/2015 Hodges
 D726,090 S 4/2015 Hilpert
 D739,329 S 9/2015 Watkin
 D744,399 S 12/2015 Juergens
 D744,931 S 12/2015 Curic
 D749,486 S 2/2016 Huang
 D751,481 S 3/2016 Chung
 D751,966 S 3/2016 Zhao
 D754,049 S 4/2016 Valencia Pollex
 D756,877 S 5/2016 Huang
 D772,133 S 11/2016 Stone
 D775,047 S 12/2016 Wheel
 D782,951 S 4/2017 Bjerke
 D786,768 S 5/2017 Youssef
 D787,412 S * 5/2017 Alfonso D12/211
 D791,035 S 7/2017 Palana
 D797,029 S * 9/2017 Chung D12/211
 D799,398 S 10/2017 Liffick
 D800,628 S 10/2017 Tran
 D803,129 S 11/2017 McMath
 D806,630 S 1/2018 McMath

D808,325 S 1/2018 Chung
 D813,137 S 3/2018 Sempek
 D813,780 S 3/2018 Sempek
 D817,844 S 5/2018 Hale
 D887,944 S * 6/2020 Han D12/209
 D905,612 S * 12/2020 Hashimoto D12/211
 D943,488 S * 2/2022 Lee D12/209

OTHER PUBLICATIONS

Allied Wheel Components Wayback Machine, 953BM Krank Trailer, published Jan. 20, 2022 [retrieved Jan. 31, 2023]. Retrieved from the internet<<https://alliedwheel.com/products/935bm-krank-trailer>> (Year: 2022).*

Raceline Wheels, Go Everywhere, Catalog, Apr. 7, 2017, Allied Wheel Components Inc. vol. 29, 16 pages.

Raceline Wheels, Go Everywhere, Catalog, Oct. 16, 2015, Allied Wheel Components Inc., vol. 24, 28 pages.

Raceline Wheels, Go Everywhere, Catalog, Feb. 21, 2017, Allied Wheel Components Inc., vol. 22, 9 pages.

Raceline Wheels, Go Everywhere, Catalog, Feb. 21, 2017, Allied Wheel Components Inc., vol. 23, 16 pages.

Raceline Wheels, Go Everywhere, Catalog, Feb. 23, 2017, Allied Wheel Components Inc., vol. 28, 20 pages.

Raceline Wheels, Go Everywhere, Catalog, Mar. 24, 2016, Allied Wheel Components Inc., vol. 26, 28 pages.

Raceline Wheels, Go Everywhere, Catalog, Oct. 24, 2016, Allied Wheel Components Inc., vol. 27, 20 pages.

Raceline Wheels, Go Everywhere, Catalog, Oct. 25, 2017, Allied Wheel Components Inc., vol. 30, 20 pages.

Raceline Wheels, Go Everywhere, Catalog, Jan. 26, 2016, Allied Wheel Components Inc., vol. 25, 28 pages.

Raceline Wheels, Go Everywhere, Catalog, Feb. 27, 2018, Allied Wheel Components Inc., vol. 31, 24 pages.

Raceline Wheels, Go Everywhere, Catalog, Allied Wheel Components Inc., vol. 22, 16 pages.

Raceline Wheels, Go Everywhere, Catalog, Allied Wheel Components Inc., vol. 26, 13 pages.

Raceline Wheels, Go Everywhere, Catalog, Allied Wheel Components Inc., vol. 32, 24 pages.

Raceline Wheels, Go Everywhere, Catalog, Allied Wheel Components Inc., vol. 33, 24 pages.

* cited by examiner

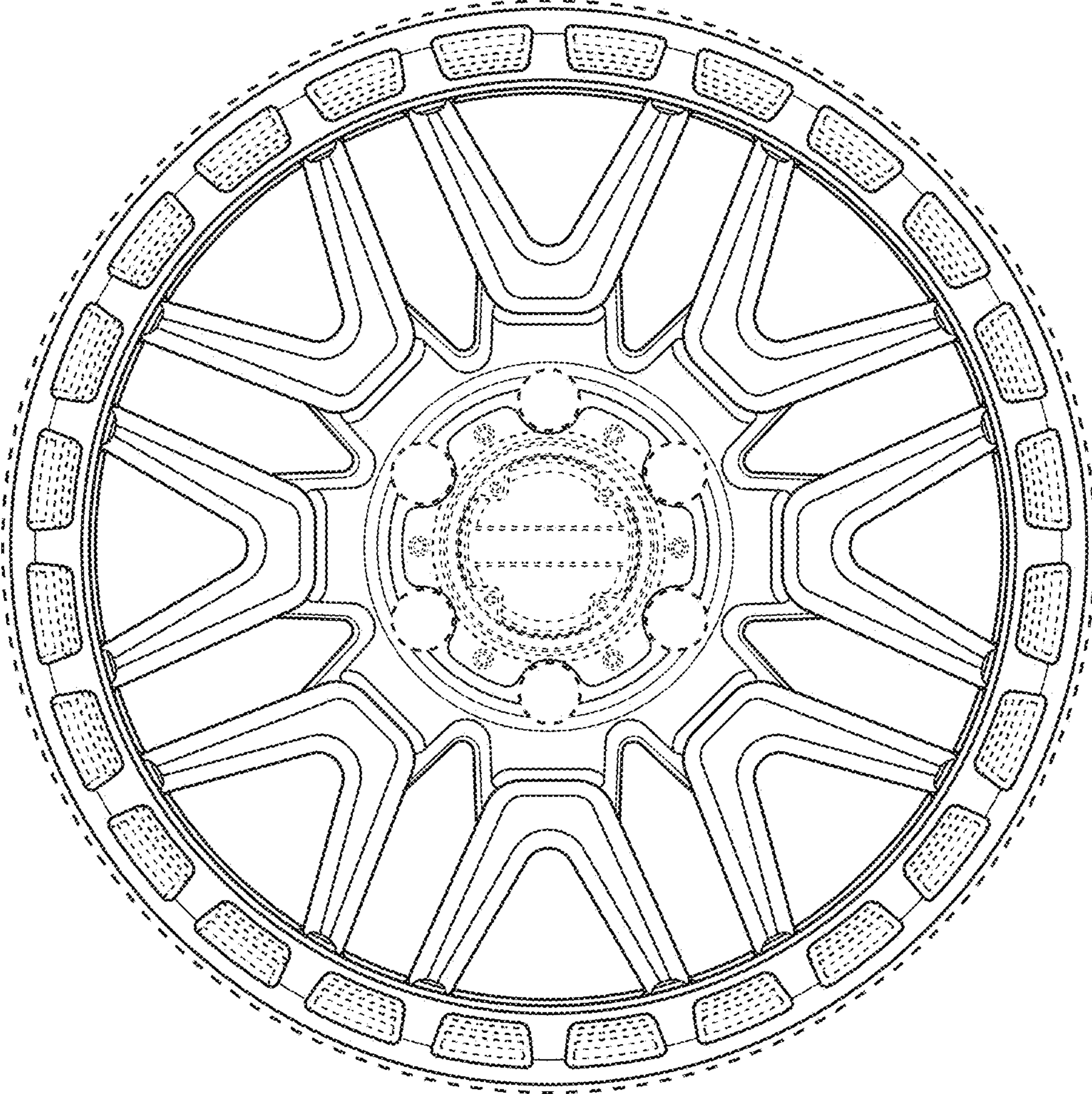


FIG. 1

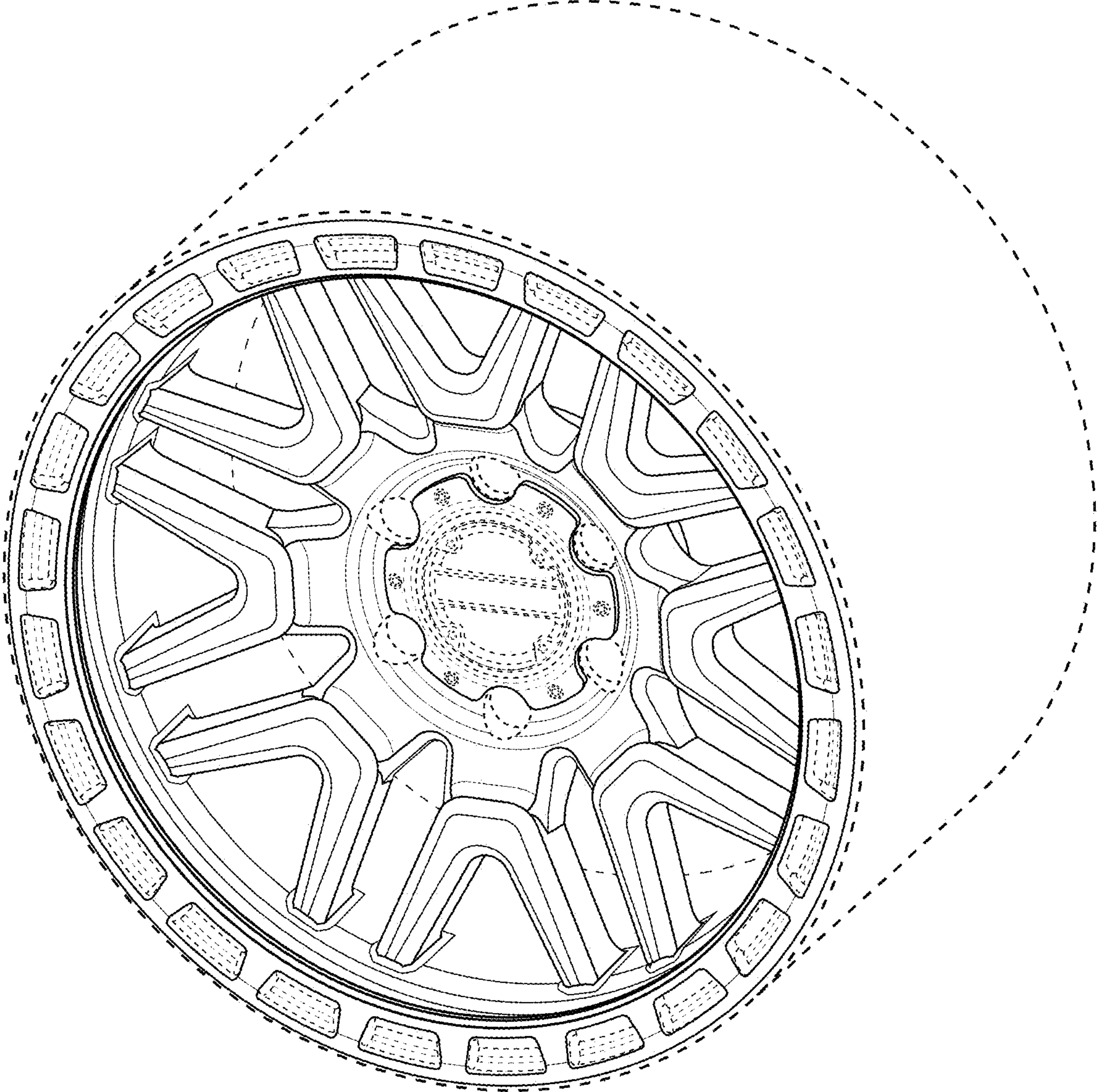


FIG. 2