



US00D982494S

(12) **United States Design Patent** (10) **Patent No.:** **US D982,494 S**  
**Dionisopoulos et al.** (45) **Date of Patent:** **\*\* Apr. 4, 2023**

(54) **VEHICLE WHEEL**  
(71) Applicants: **Frank Dionisopoulos**, Grosse Pointe, MI (US); **Nicholas Vardis**, Sylvan Lake, MI (US)  
(72) Inventors: **Frank Dionisopoulos**, Grosse Pointe, MI (US); **Nicholas Vardis**, Sylvan Lake, MI (US)  
(73) Assignee: **FCA US LLC**, Auburn Hills, MI (US)

D727,829 S \* 4/2015 Chung ..... D12/211  
D823,777 S \* 7/2018 Ninov ..... D12/211  
D850,349 S \* 6/2019 Lickliter ..... D12/209  
D851,006 S \* 6/2019 Hans ..... D12/209  
D868,664 S \* 12/2019 Dewitt ..... D12/211  
D877,677 S \* 3/2020 Pollard ..... D12/209  
D921,552 S \* 6/2021 Williams ..... D12/209  
D921,556 S \* 6/2021 Zhang ..... D12/211  
D922,294 S \* 6/2021 Kaoud ..... D12/209  
D929,288 S \* 8/2021 Jonason ..... D12/209  
D944,708 S \* 3/2022 Echazabal ..... D12/209

(\*\*) Term: **15 Years**

\* cited by examiner

(21) Appl. No.: **29/773,311**

*Primary Examiner* — Cary M Robinson

*Assistant Examiner* — Adam C Mager

(22) Filed: **Mar. 9, 2021**

(74) *Attorney, Agent, or Firm* — Ralph E. Smith

(51) **LOC (14) Cl.** ..... **12-16**

(57) **CLAIM**

(52) **U.S. Cl.**  
USPC ..... **D12/209**

The ornamental design for a vehicle wheel, as shown and described.

(58) **Field of Classification Search**  
USPC ..... D12/204–213; D21/563  
CPC .... B60B 7/00; B60B 7/01; B60B 7/02; B60B 7/04; B60B 7/06; B60B 3/02; B60B 3/04; B60B 3/06; B60B 3/10; B60B 1/00; B60B 1/08; B60B 1/10; B60B 1/12  
See application file for complete search history.

**DESCRIPTION**

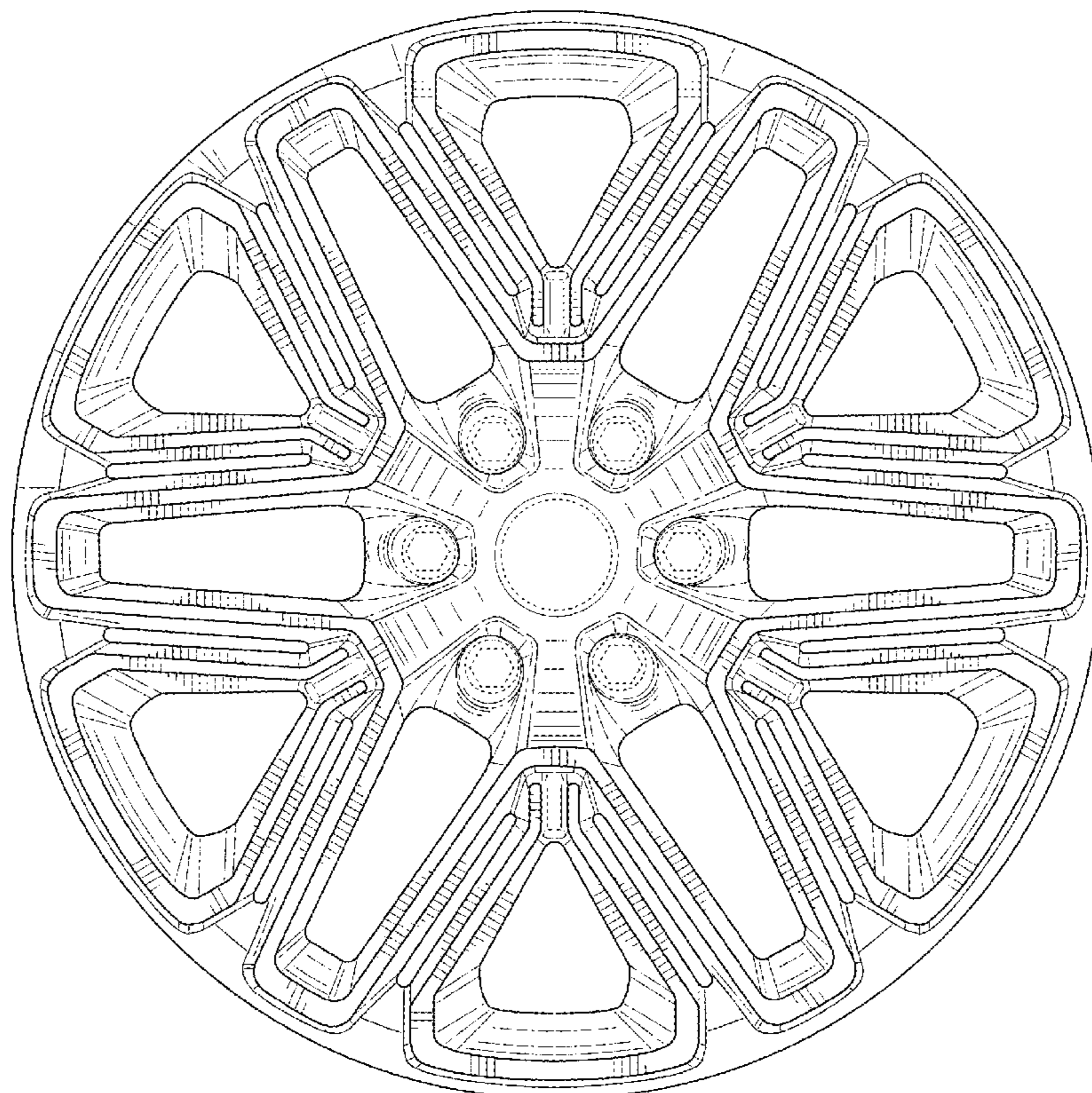
FIG. 1 is a left perspective view of a vehicle wheel showing our new design;  
FIG. 2 is a right perspective view thereof; and,  
FIG. 3 is a front view thereof.  
The broken lines in the drawings are for the purpose of illustrating portions of the vehicle wheel that form no part of the claimed design.

(56) **References Cited**

**U.S. PATENT DOCUMENTS**

D267,564 S \* 1/1983 Wright ..... D12/211  
D630,992 S \* 1/2011 Cortes ..... D12/211

**1 Claim, 3 Drawing Sheets**





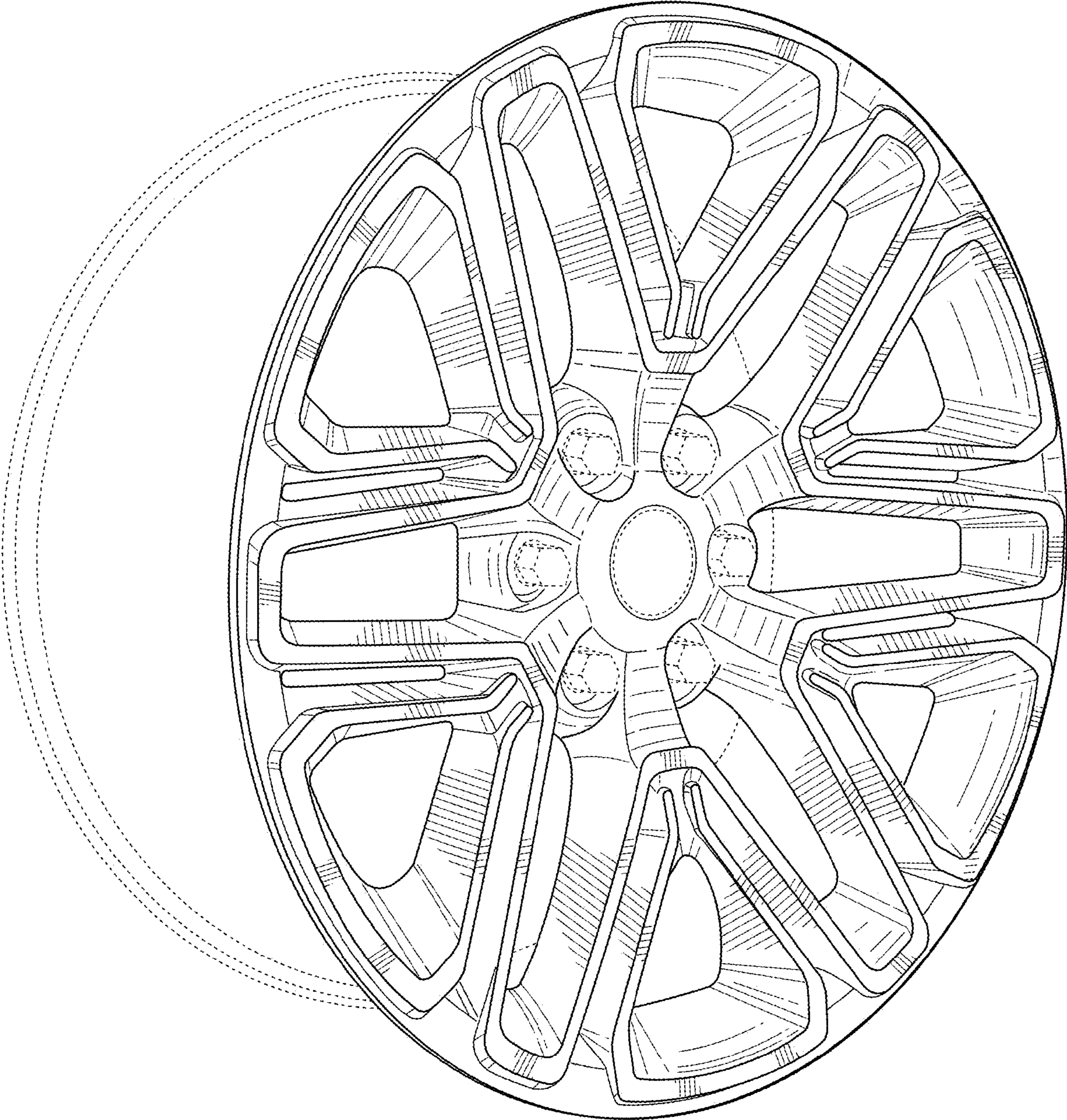


FIG. 1

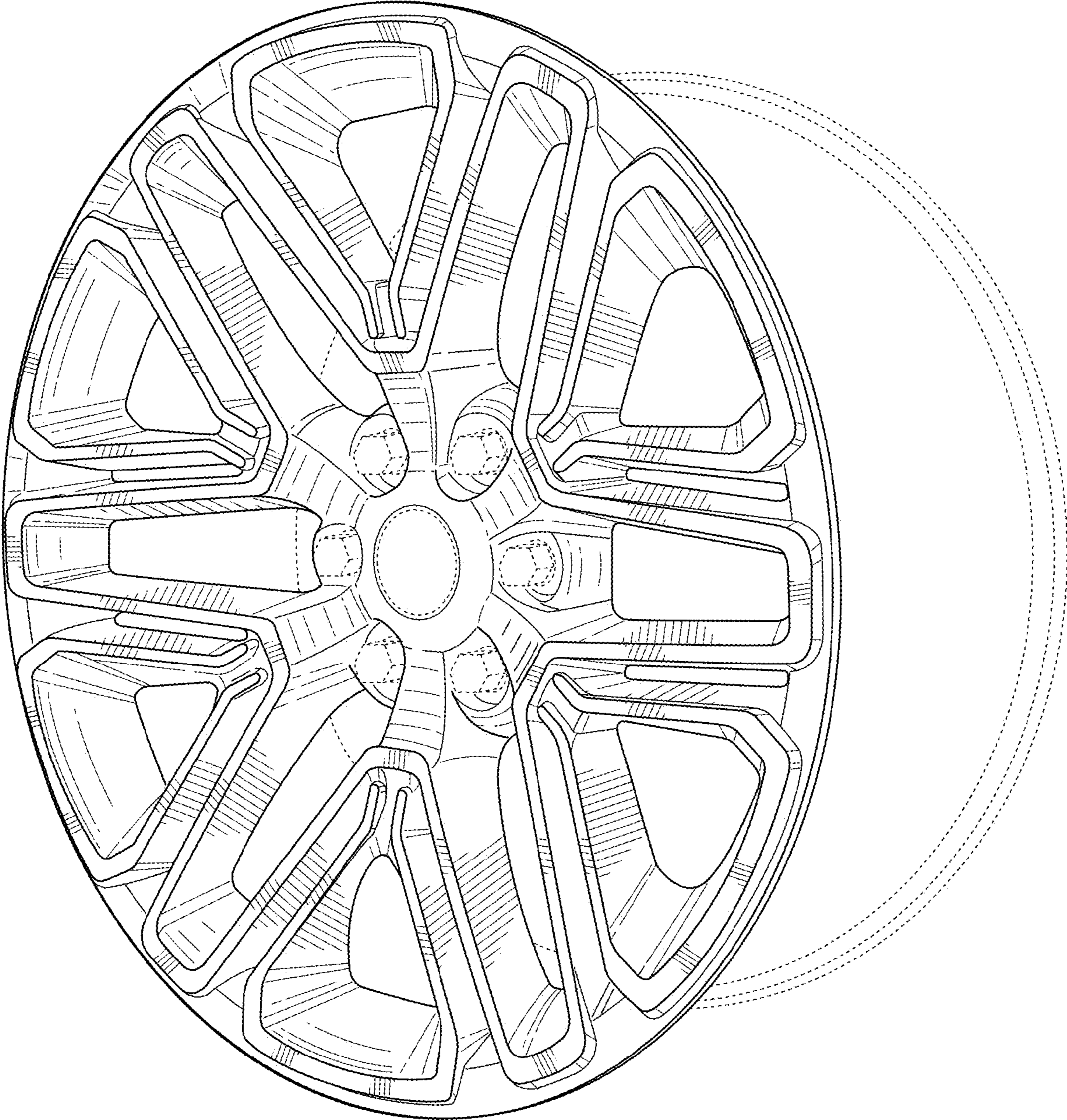


FIG. 2



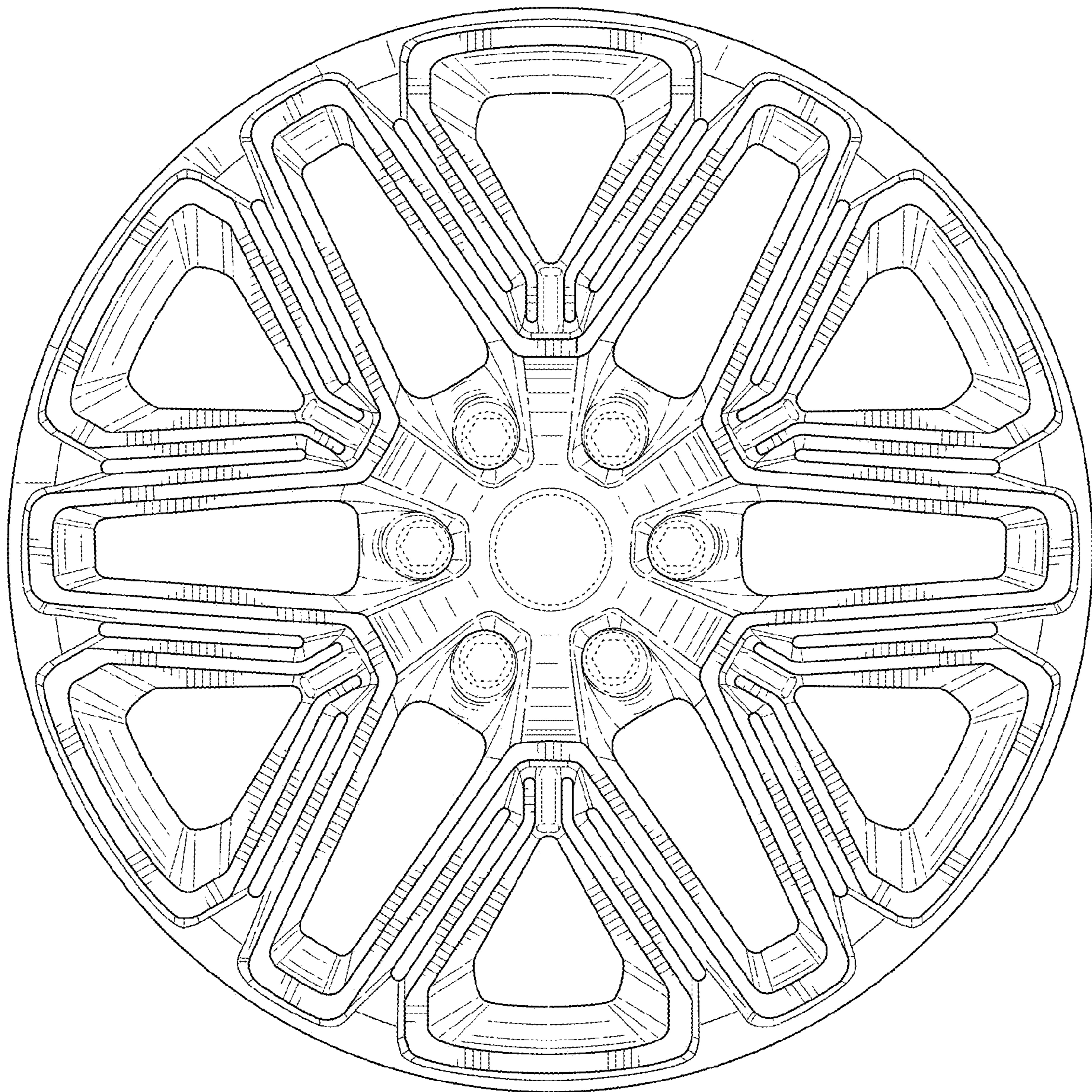


FIG. 3