



US00D982489S

(12) **United States Design Patent** (10) **Patent No.:** **US D982,489 S**
Pearson et al. (45) **Date of Patent:** **** Apr. 4, 2023**

(54) **TANK TRAILER AIRFOIL**
(71) Applicant: **Exosent Engineering, LLC**, College Station, TX (US)
(72) Inventors: **Gerald Pearson**, College Station, TX (US); **Yuval Doron**, College Station, TX (US)
(73) Assignee: **Exosent Engineering, LLC**, Navasota, TX (US)

D923,541 S * 6/2021 Wraith D12/169
D924,750 S * 7/2021 Buller D12/169
D927,371 S * 8/2021 Duncan D12/169
D928,047 S * 8/2021 Buck D12/181
D943,477 S * 2/2022 Chen D12/181
D947,749 S * 4/2022 Ahlstrom D12/345
D948,390 S * 4/2022 Bonet Molledo D12/163
D949,077 S * 4/2022 Koo D12/190
2006/0232102 A1 10/2006 Steel
2009/0236872 A1 9/2009 Wood
2011/0115254 A1 5/2011 Skopic
2011/0181072 A1 7/2011 Kempster

(**) Term: **15 Years**

FOREIGN PATENT DOCUMENTS

(21) Appl. No.: **29/718,772**

CA 2315339 C 4/2003

(22) Filed: **Dec. 27, 2019**

OTHER PUBLICATIONS

(51) **LOC (14) Cl.** **12-16**

Mophorn. Mophorn Universal Gt Wing Spoiler 110Cm Lightweight Aluminum Rear Spoiler Wing Single Deck Hatch Adjustable Jg125. Amazon.Com. Dec. 15, 2016.

(52) **U.S. Cl.**

USPC **D12/181**

(58) **Field of Classification Search**

USPC D12/181-184, 191, 190, 400
CPC B62D 35/00; B62D 35/007; B62D 37/02
See application file for complete search history.

(Continued)

Primary Examiner — Katrina A Betton

(74) *Attorney, Agent, or Firm* — Craige Thompson; Thompson Patent Law; Timothy D. Snowden

(56) **References Cited**

(57) **CLAIM**

U.S. PATENT DOCUMENTS

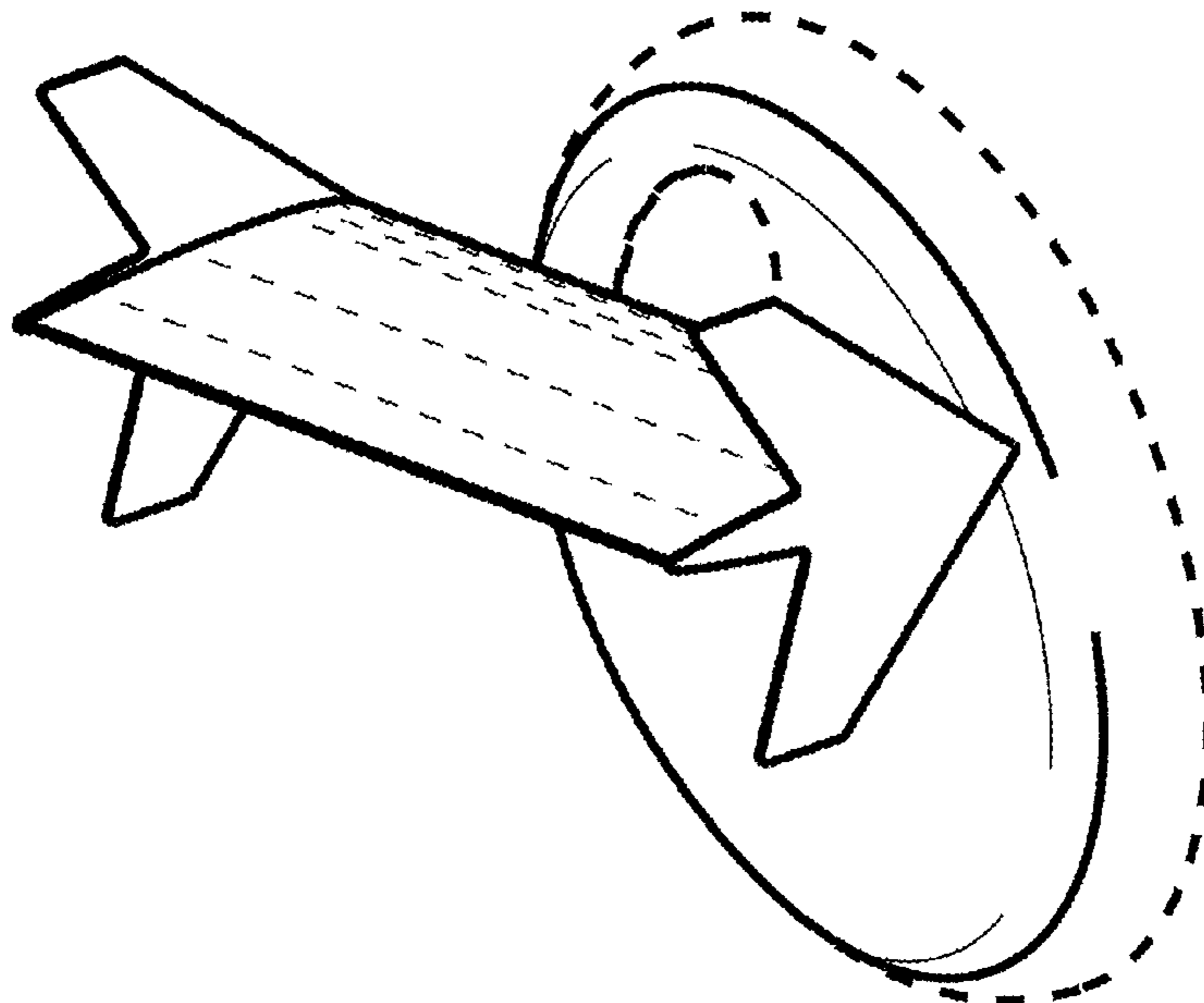
The ornamental design for a tank trailer airfoil, as shown and described.

D51,414 S * 10/1917 Guerriero D12/181
2,681,192 A 6/1954 Pappas
3,999,797 A 12/1976 Kirsch
4,441,753 A 4/1984 Mason
4,458,936 A 7/1984 Mulholland
4,789,117 A 12/1988 Paterson
6,183,041 B1 2/2001 Wilson
7,641,262 B2 1/2010 Nusbaum
8,025,329 B1 9/2011 Kron
8,757,701 B2 6/2014 Guigné et al.
D920,871 S * 6/2021 Park D12/196
D921,938 S * 6/2021 Lin D26/28
D922,276 S * 6/2021 Chen D12/169
D923,524 S * 6/2021 Piaskowski D12/163

DESCRIPTION

FIG. 1 is a perspective upper view of a tank trailer airfoil; FIG. 2 is a perspective lower view thereof; FIG. 3 is a side elevation view thereof; FIG. 4 is a rear elevation view thereof; FIG. 5 is an isolated perspective upper view thereof; and, FIG. 6 is an isolated perspective lower view thereof.

1 Claim, 4 Drawing Sheets



(56)

References Cited

OTHER PUBLICATIONS

Schwanen, Markus; Duggleby, Andrew. Draft: Dynamics and Structures in an Unsteady Pin Fin Convection Simulation. Proceedings of ASME Turbo Expo 2009: Power for Land, Sea and Air. Jun. 2009. Aeroseve Technologies Ltd. Airtab Tanker Applications <https://www.airtab.com/application-tankers.htm>.

Jacobs, E.; Ward, K.; Pinkerton, R. The Characteristics of 78 Related Airfoil Sections from Tests in the Variable-Density Wind Tunnel; 460; 1933. <https://ntrs.nasa.gov/archive/nasa/casi.ntrs.nasa.gov/19930091108.pdf>.

Length Scale. Wikipedia; 2019. https://en.wikipedia.org/wiki/Length_scale.

NACA Airfoil. Wikipedia; 2020. https://en.wikipedia.org/w/index.php?title=NACA_airfoil&oldid=949083507.

Turbulence Length Scale. CFD-Wiki; CFD Online, 2012. https://www.cfd-online.com/Wiki/Turbulence_length_scale.

* cited by examiner

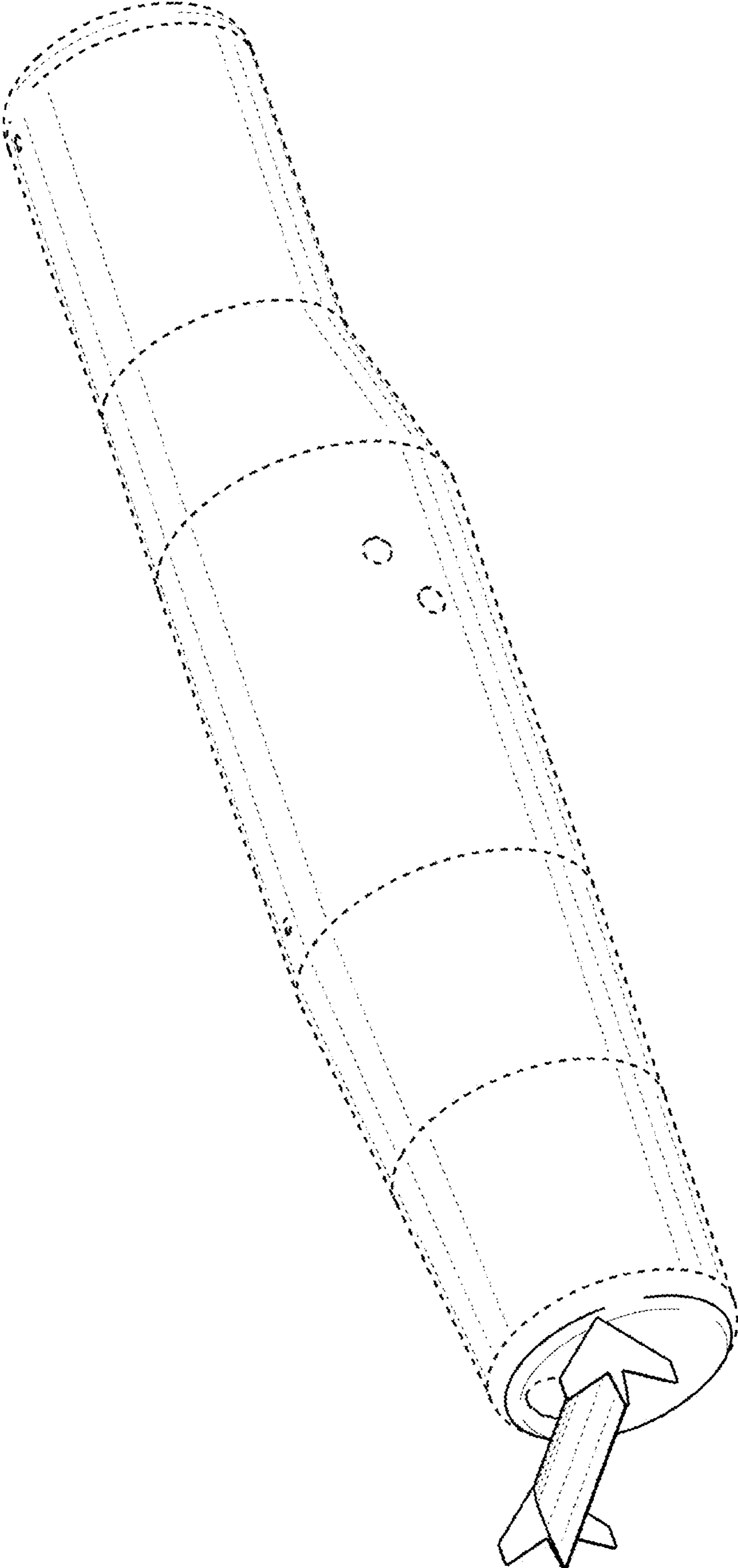


FIG. 1

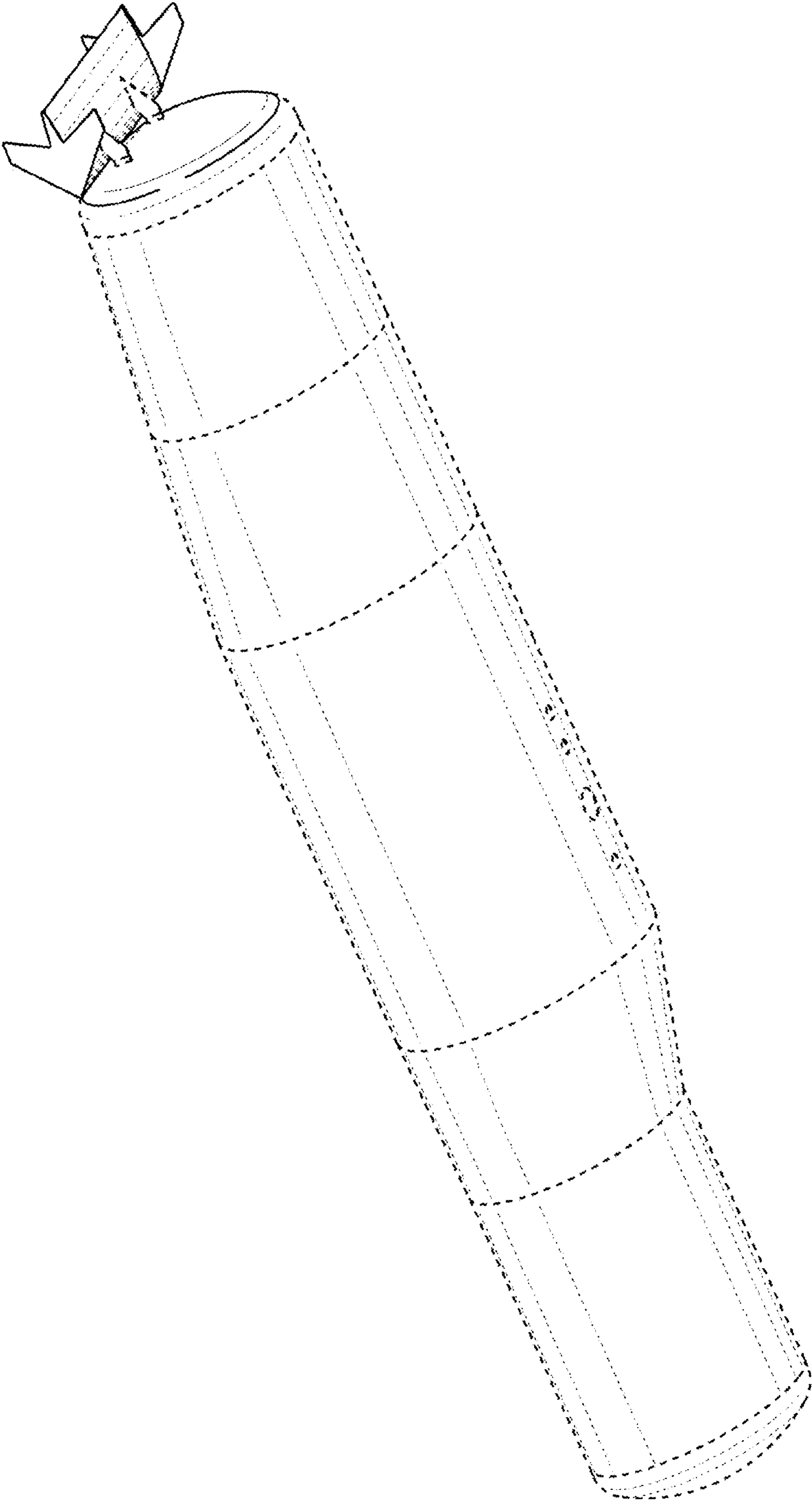


FIG. 2

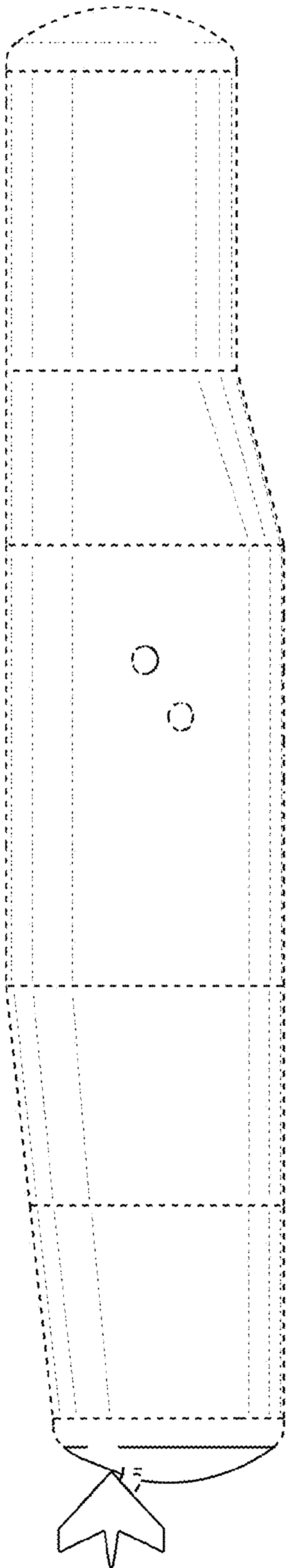


FIG. 3

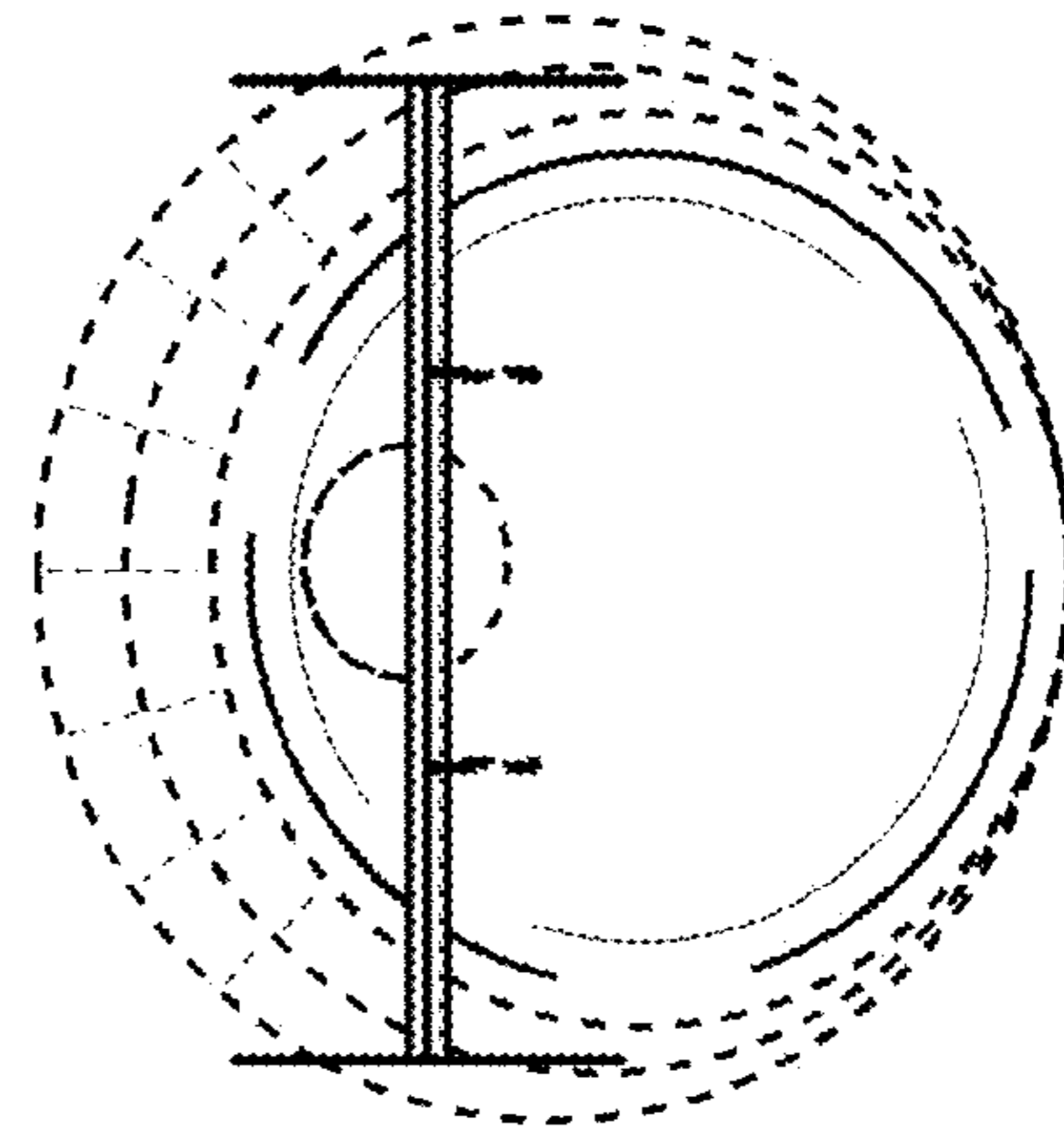


FIG. 4

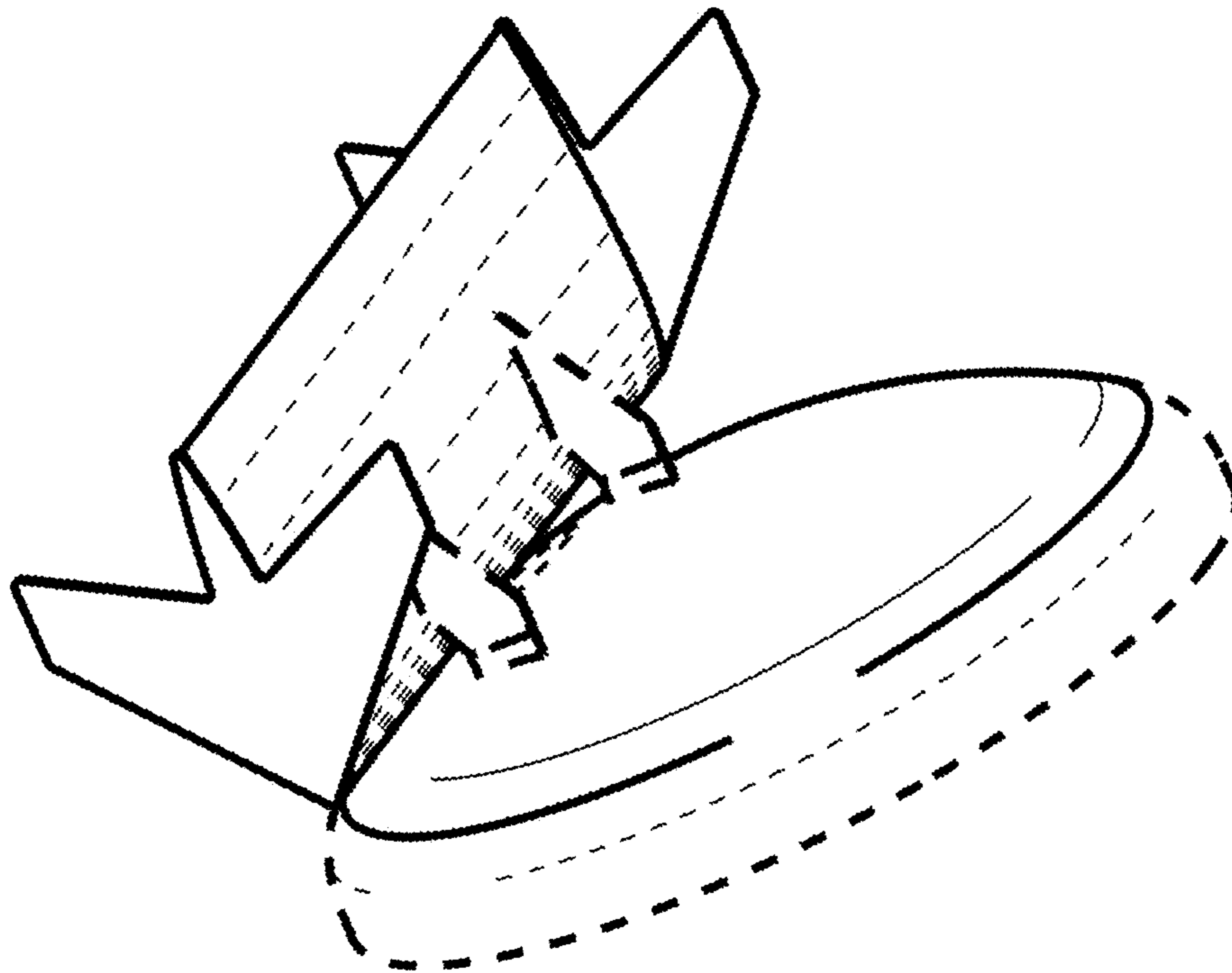


FIG. 6

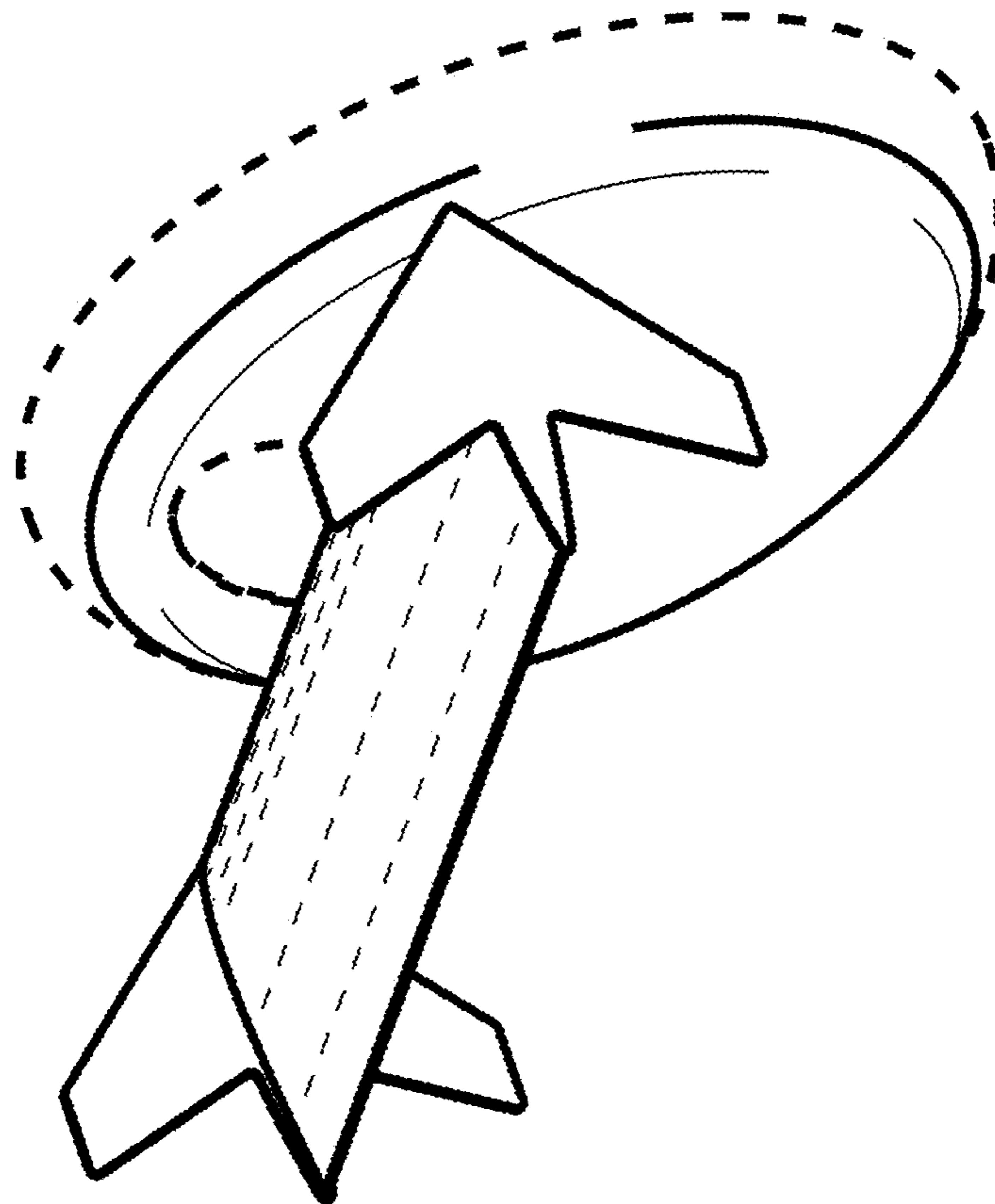


FIG. 5