



US00D982488S

(12) **United States Design Patent**  
**Cao**

(10) **Patent No.:** **US D982,488 S**

(45) **Date of Patent:** **\*\* Apr. 4, 2023**

- (54) **SPRING BRAKE**
- (71) Applicant: **Fangping Cao**, Shenzhen (CN)
- (72) Inventor: **Fangping Cao**, Shenzhen (CN)
- (\*\*) Term: **15 Years**
- (21) Appl. No.: **29/854,776**
- (22) Filed: **Sep. 28, 2022**
- (51) **LOC (14) Cl.** ..... **12-16**
- (52) **U.S. Cl.**  
USPC ..... **D12/180**
- (58) **Field of Classification Search**  
USPC ..... D12/123, 124, 125, 160, 174, 179, 180,  
D12/217, 400; D8/382, 370, 387;  
D6/349, 606, 718.31; D11/26  
CPC ..... F16D 65/16; F16D 65/28; F16D 65/46;  
F16D 65/567; B60T 13/38; B60T 13/588;  
B60T 17/083; B60T 17/085; B60T  
17/086; B60T 17/088  
See application file for complete search history.

- D604,680 S \* 11/2009 Chow ..... D12/180
- D757,870 S \* 5/2016 Leslie ..... D21/693
- D886,234 S \* 6/2020 Lavoie ..... D22/147
- D924,110 S 7/2021 Carminati et al.

\* cited by examiner

*Primary Examiner* — Cary M Robinson  
*Assistant Examiner* — Adam C Mager  
 (74) *Attorney, Agent, or Firm* — Daniel M. Cohn;  
 Howard M. Cohn

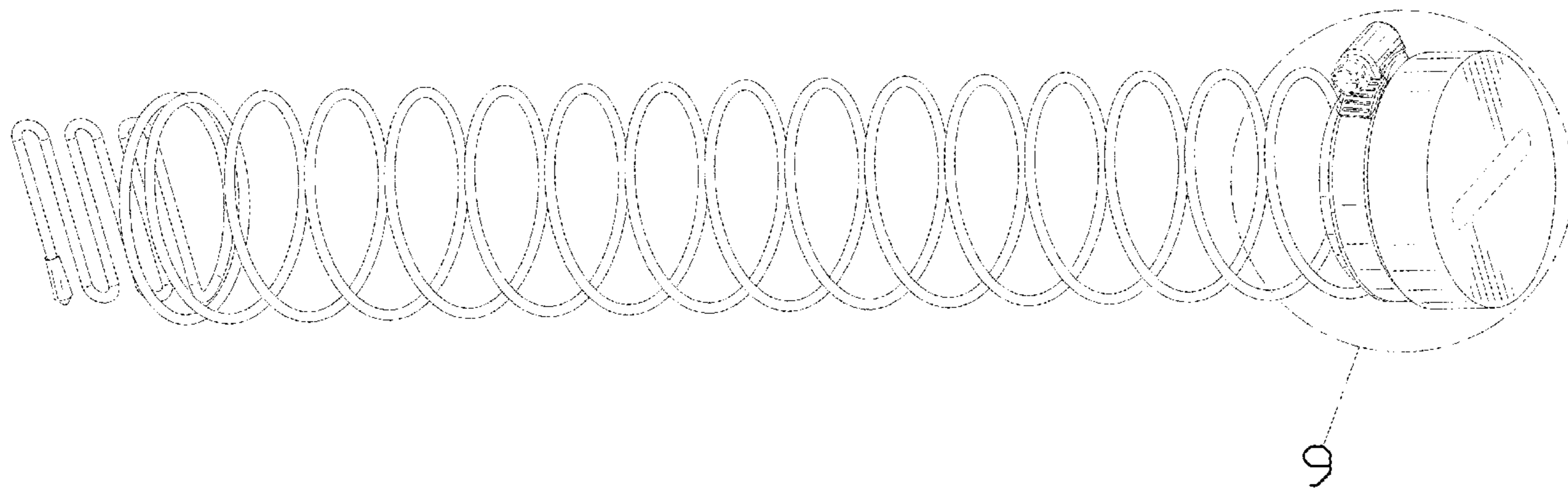
(57) **CLAIM**

The ornamental design for a spring brake, as shown and described.

**DESCRIPTION**

FIG. 1 is a perspective view of a spring brake showing my new design;  
 FIG. 2 is another perspective view thereof;  
 FIG. 3 is a front elevational view thereof;  
 FIG. 4 is a rear elevational view thereof;  
 FIG. 5 is a left side elevational view thereof;  
 FIG. 6 is a right side elevational view thereof;  
 FIG. 7 is a top plan view thereof;  
 FIG. 8 is a bottom plan view thereof;  
 FIG. 9 is an enlarged view of portion 9 shown in FIG. 1;  
 FIG. 10 is an enlarged view of portion 10 shown in FIG. 2;  
 and,  
 FIG. 11 is an enlarged view of portion 11 shown in FIG. 2.  
 The dash-dash broken lines in the drawings depict portions of the spring brake that form no part of the claimed design.  
 The dot-dash broken lines represent boundaries of the enlarged portions and form no part of the claimed design.

**1 Claim, 11 Drawing Sheets**



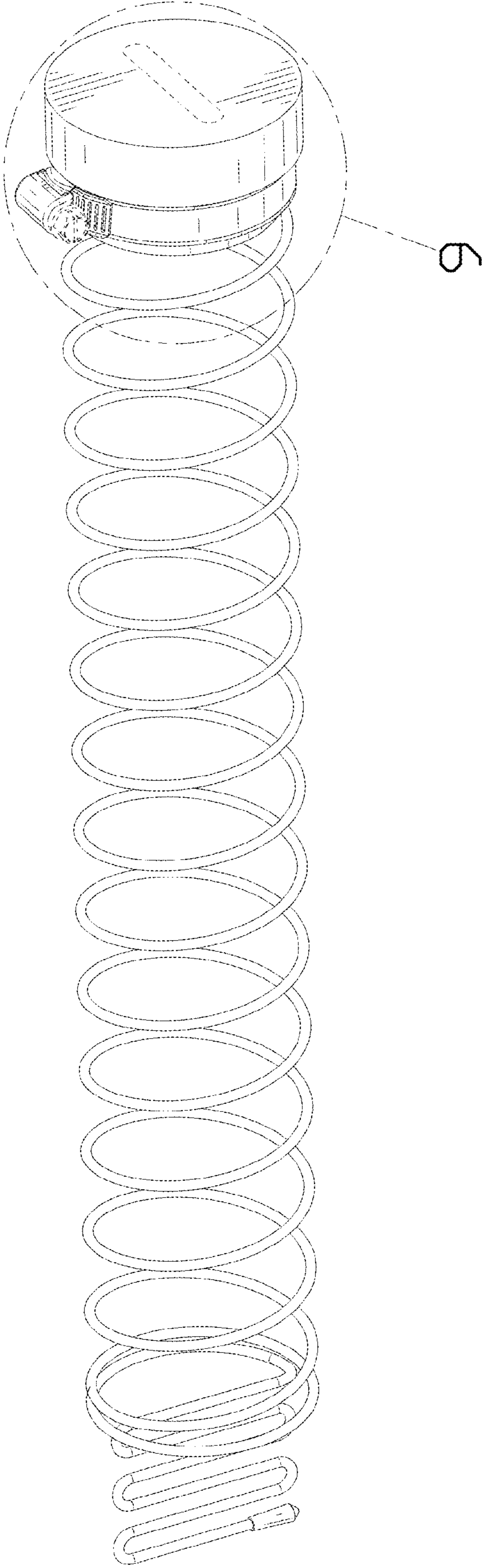


FIG. 1

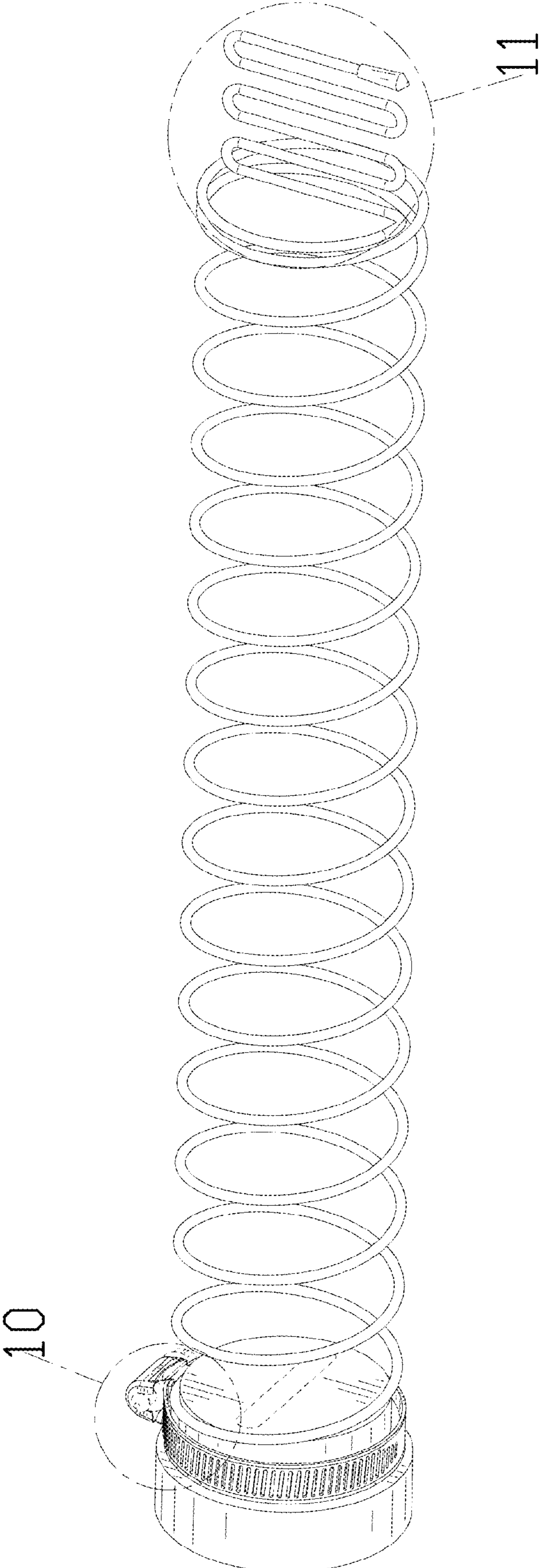


FIG. 2

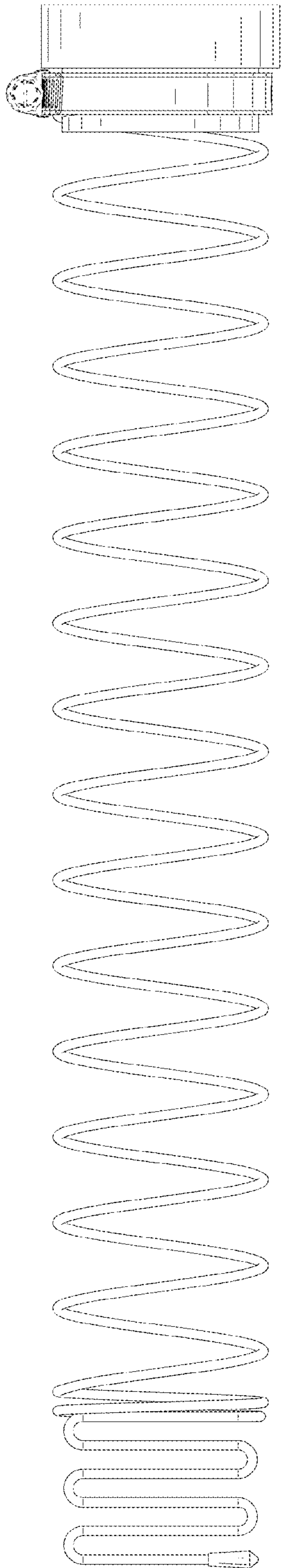


FIG. 3

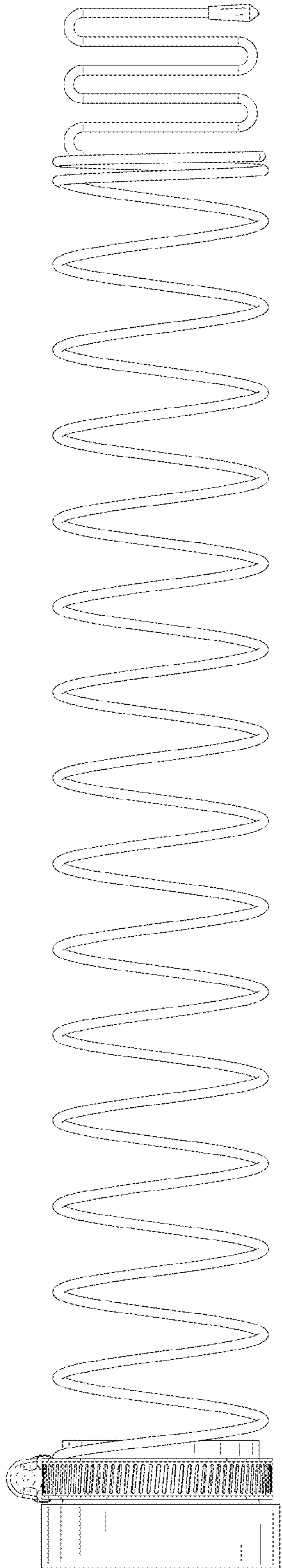


FIG. 4

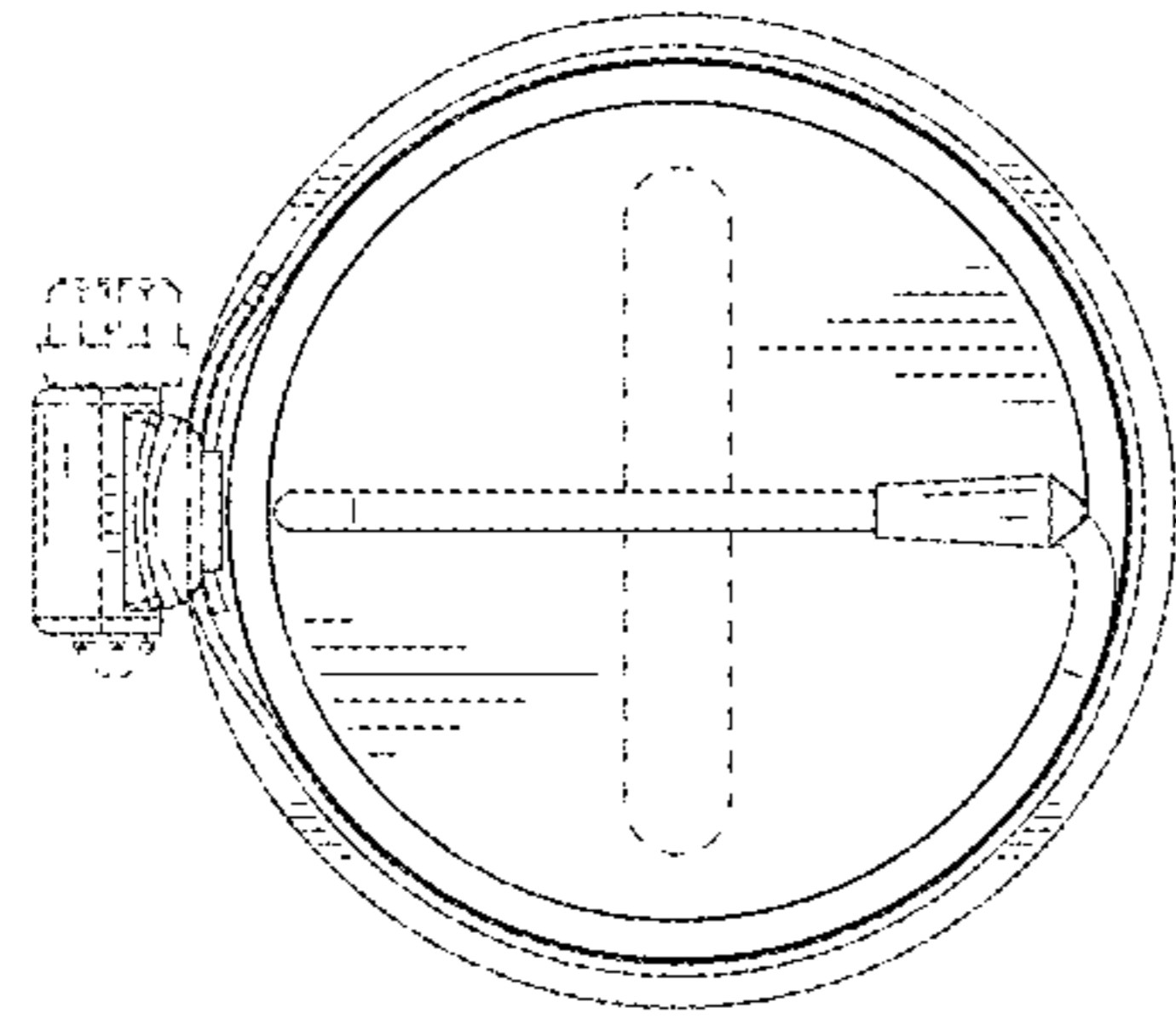


FIG. 5

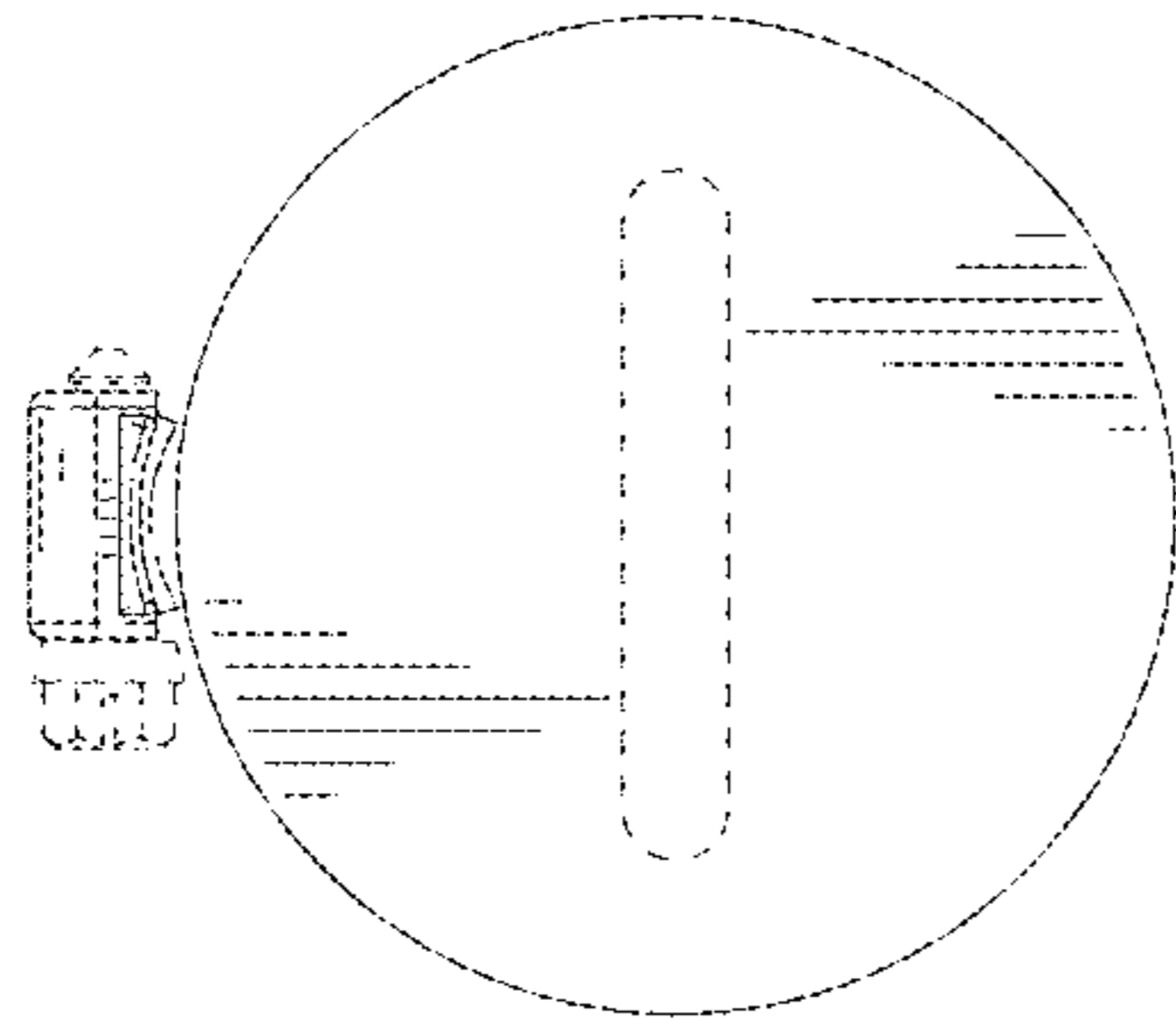


FIG. 6

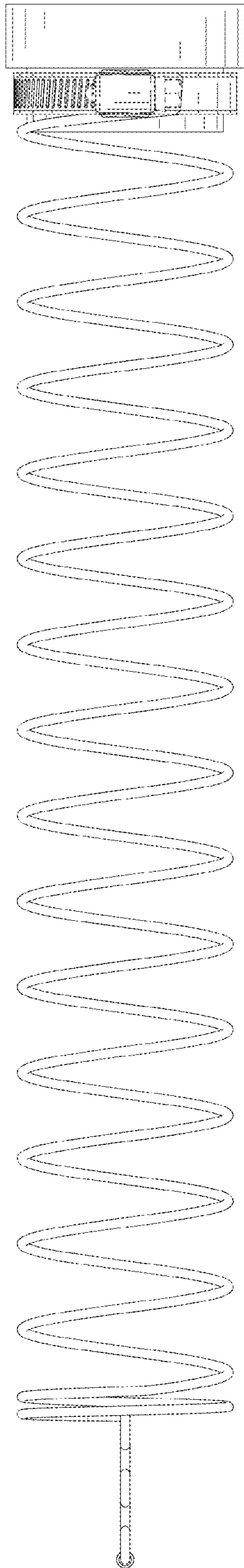


FIG. 7



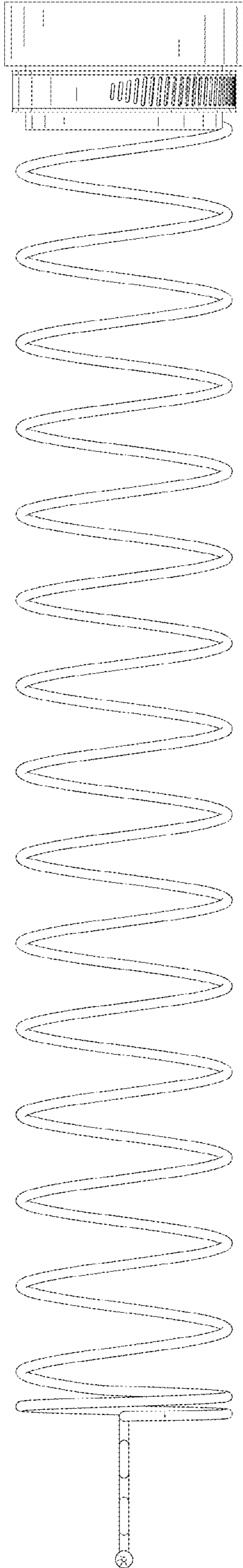


FIG. 8

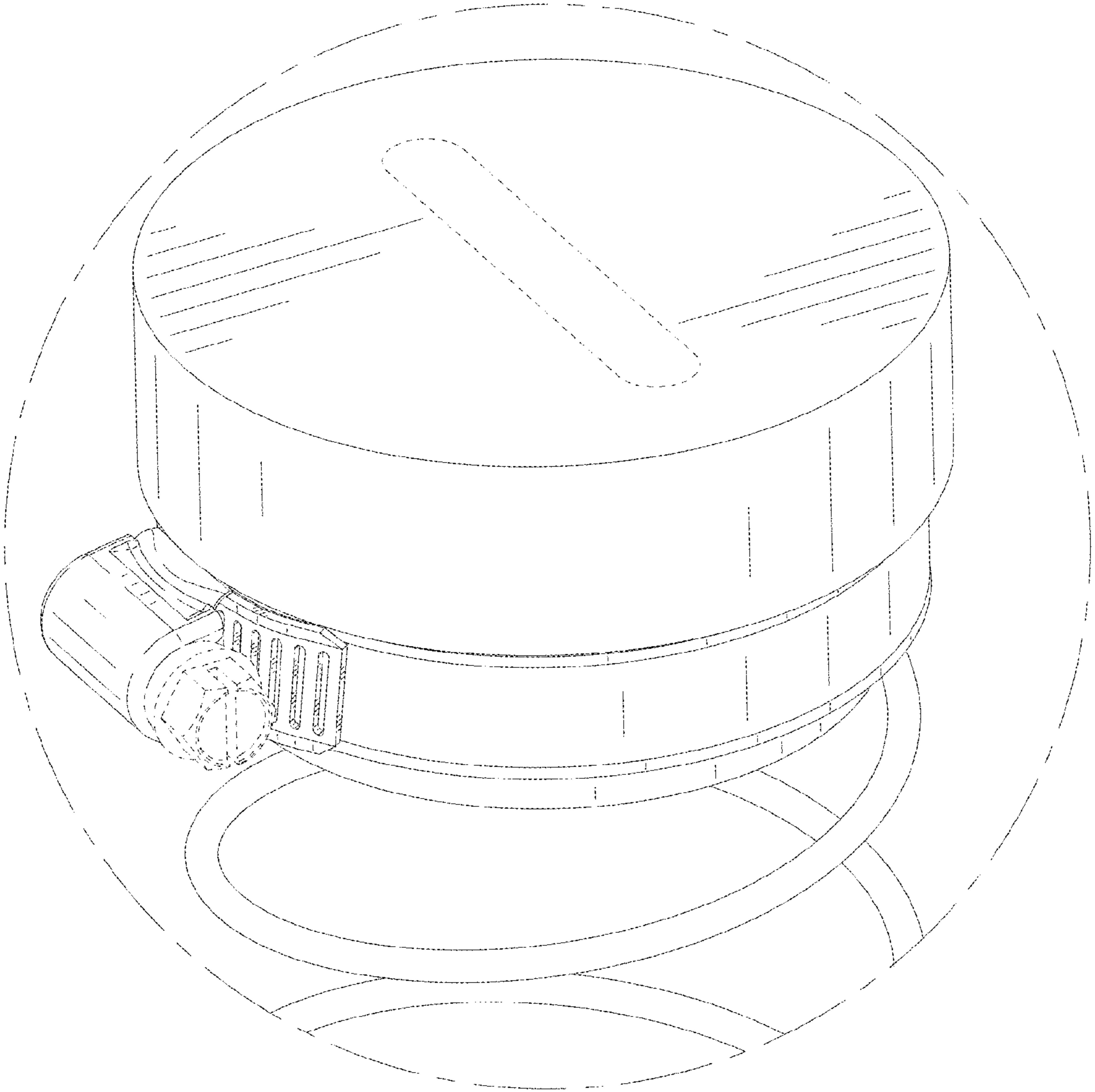


FIG. 9

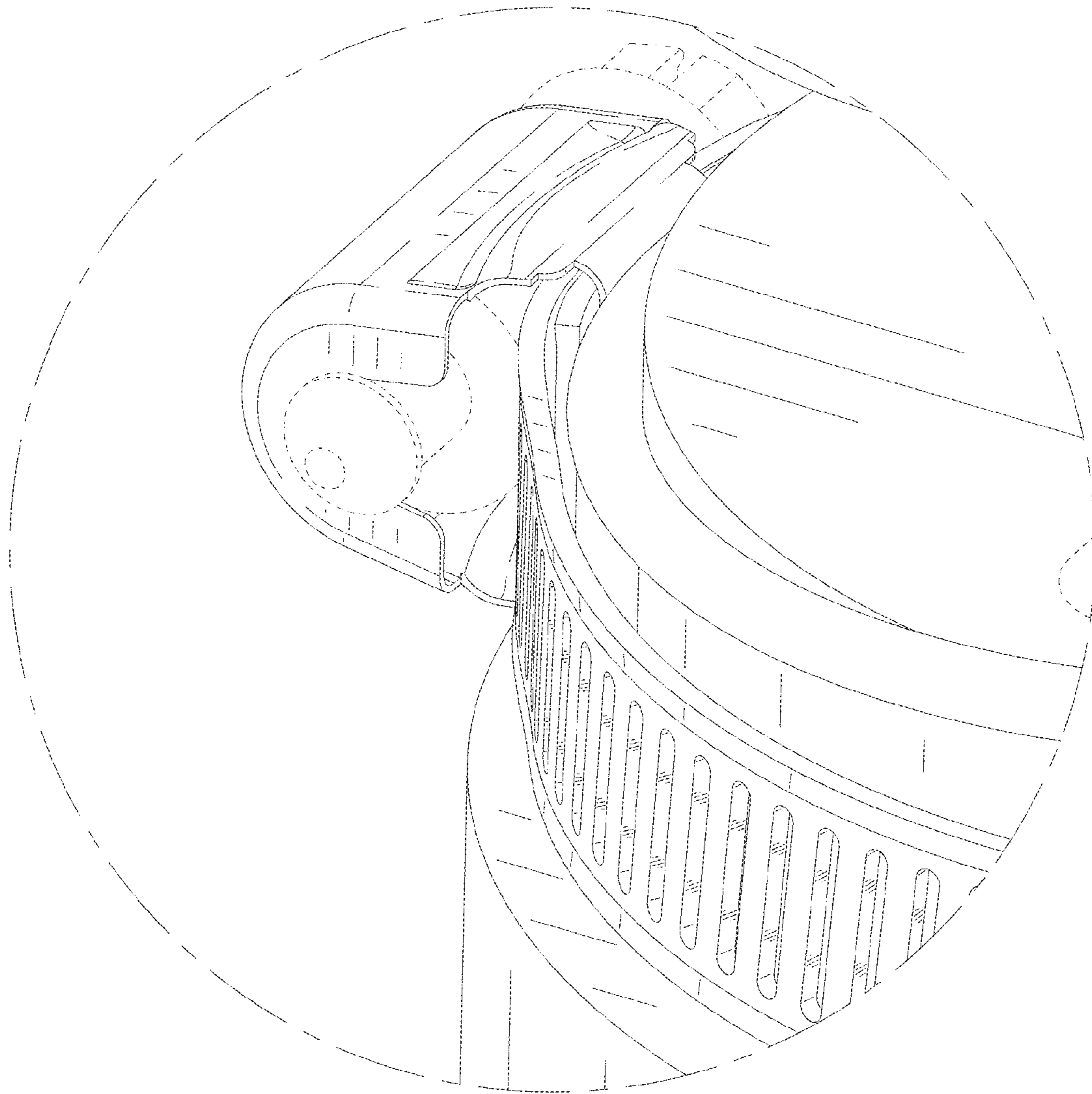


FIG. 10

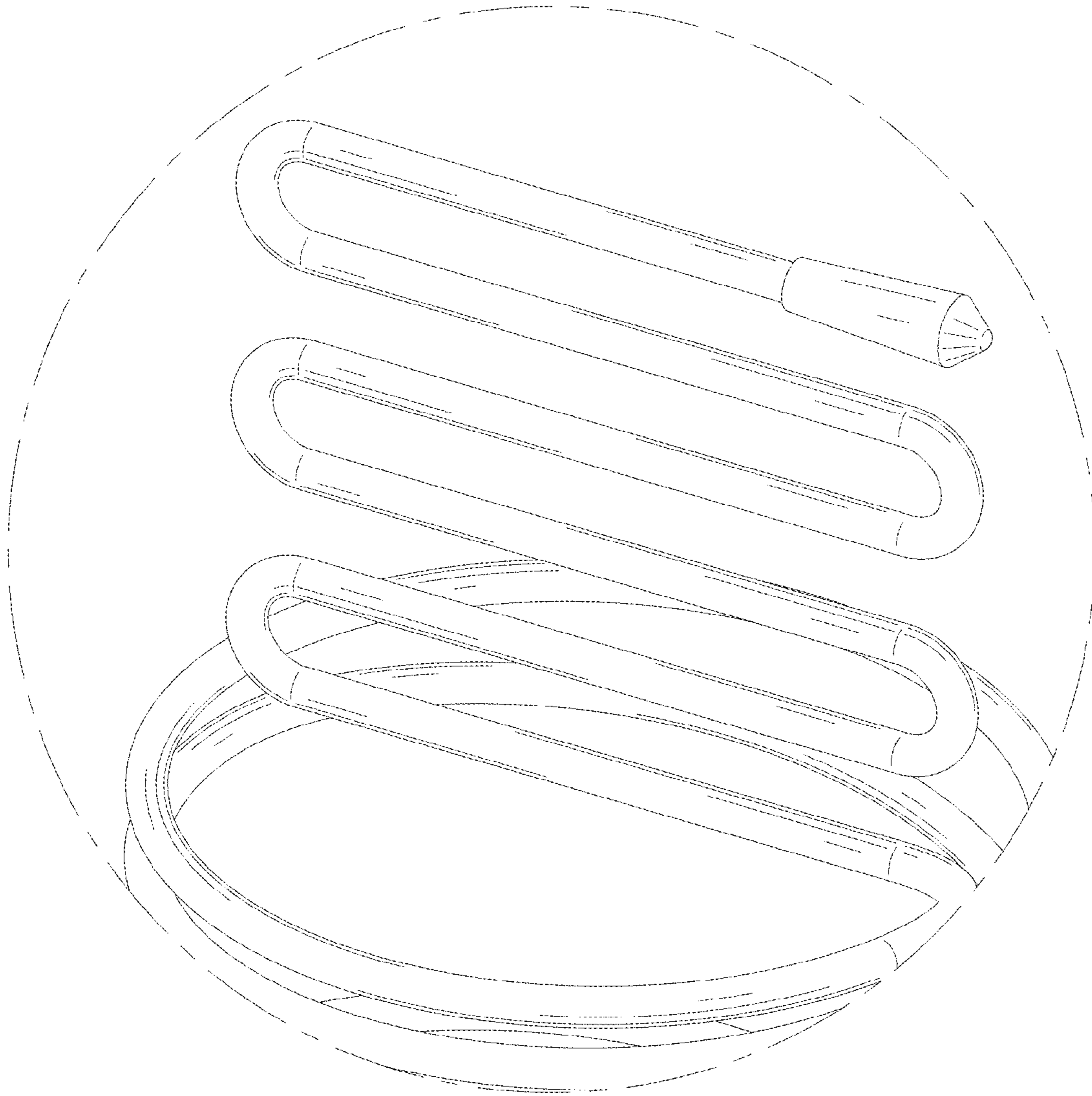


FIG. 11