



US00D982486S

(12) **United States Design Patent**
Pang

(10) **Patent No.:** **US D982,486 S**

(45) **Date of Patent:** **** Apr. 4, 2023**

(54) **ADJUSTABLE BIKE WALL HANGER**

(71) Applicant: **Xiaogang Pang**, Guangdong (CN)

(72) Inventor: **Xiaogang Pang**, Guangdong (CN)

(**) Term: **15 Years**

(21) Appl. No.: **29/857,483**

(22) Filed: **Oct. 21, 2022**

(51) **LOC (14) Cl.** **08-10**

(52) **U.S. Cl.**
USPC **D12/115**

(58) **Field of Classification Search**
USPC D12/115, 120, 402, 406-408; D6/552;
D8/370, 372
CPC ... B62H 3/00; B62H 3/02; B62H 3/04; B62H
3/08; B62H 3/10; B62H 3/12; B60R 9/06;
B60R 9/10

See application file for complete search history.

(56) **References Cited**

U.S. PATENT DOCUMENTS

4,101,107	A *	7/1978	Antoszewski	F16M 13/02 248/291.1
D268,488	S *	4/1983	Arnott	D12/115
D283,786	S *	5/1986	Chap	D8/372
D308,846	S *	6/1990	Eckhart	D12/408
D313,957	S *	1/1991	Martinell	D12/115
D323,307	S *	1/1992	Fernandez-Bell	D12/115
5,078,276	A *	1/1992	Rogge	B62H 3/12 248/289.11
D325,553	S *	4/1992	Weiner	D12/408
D327,458	S *	6/1992	Martinell	D12/115
D328,585	S *	8/1992	La Casse	D12/408
5,190,195	A *	3/1993	Fullhart	B60R 9/10 224/532
D336,876	S *	6/1993	Warnelov	D12/408
D337,082	S *	7/1993	Hellesoe	D12/115
D344,868	S *	3/1994	Martinell	D6/552

D350,935	S *	9/1994	Stach	D12/408
D391,918	S *	3/1998	Dunn	
D396,371	S *	7/1998	Oliver	D8/367
D397,892	S *	9/1998	Shaha	D6/552
D417,353	S *	12/1999	Laga	D6/552
D436,074	S *	1/2001	McCoy	D12/407
D437,164	S *	2/2001	Fickett	D6/552
D508,342	S *	8/2005	Citrenbaum	D6/672
D609,940	S *	2/2010	Samu	D8/373
7,669,822	B2 *	3/2010	Kluge	F16B 45/02 248/306
D646,960	S *	10/2011	Goodman	D8/372
8,272,610	B2 *	9/2012	Ernst	A47L 13/16 248/302

(Continued)

Primary Examiner — Michelle E. Wilson

Assistant Examiner — Clese Moore, Jr.

(57) **CLAIM**

The ornamental design for an adjustable bike wall hanger, as shown and described.

DESCRIPTION

FIG. 1 is a back, bottom and left side perspective view of an adjustable bike wall hanger with its arm in folded state, showing my new design;

FIG. 2 is a back, bottom and left side perspective view of an adjustable bike wall hanger with its arm in extended state, showing my new design;

FIG. 3 is front, top and right side perspective view thereof;

FIG. 4 a bottom plan view thereof;

FIG. 5 is top plan view thereof;

FIG. 6 is a right side elevational view thereof;

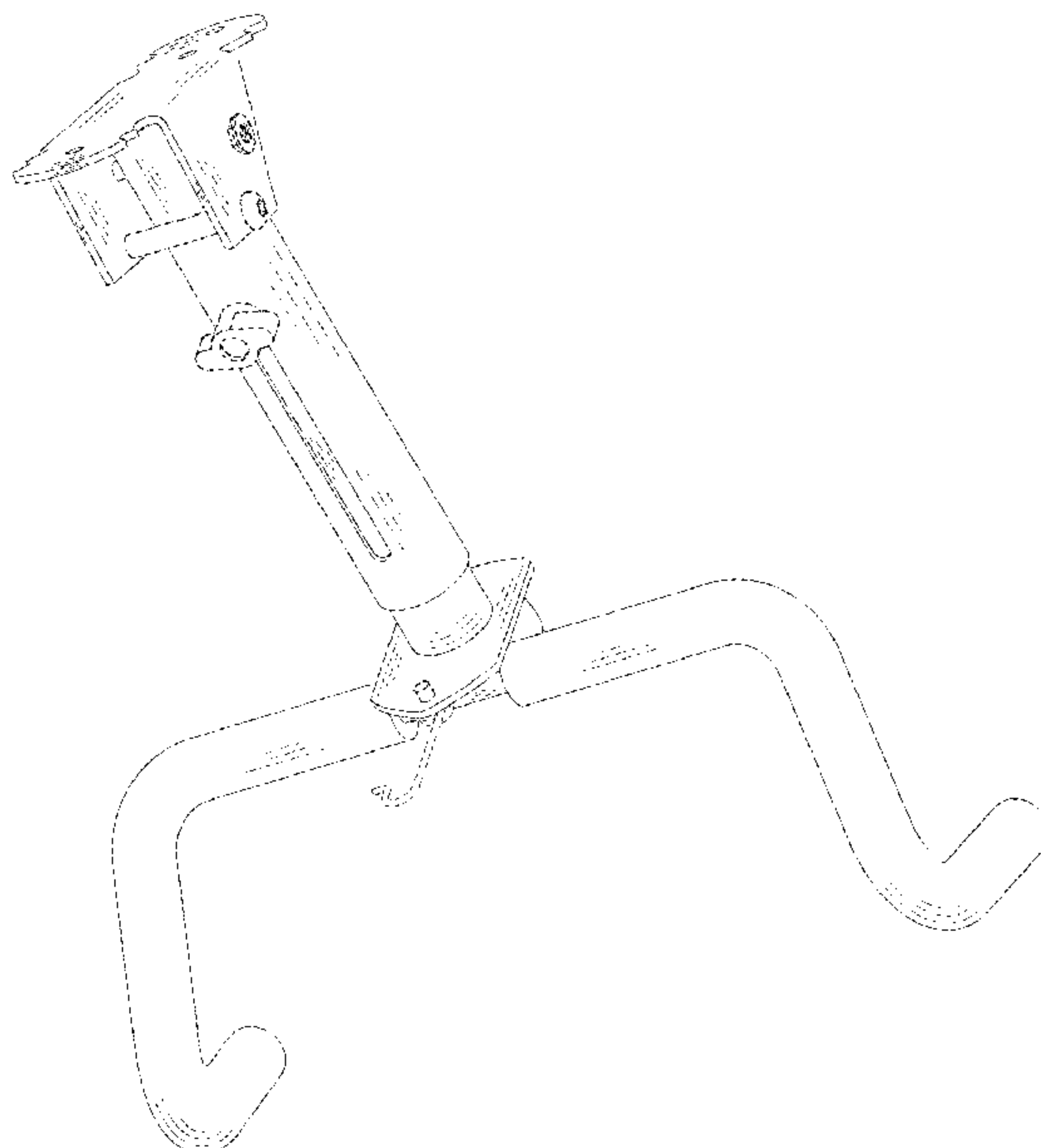
FIG. 7 is a left side elevational view thereof;

FIG. 8 is a back elevational view thereof; and,

FIG. 9 is a front elevational view thereof.

The broken lines shown in the drawings illustrate portions of the adjustable bike wall hanger that form no part of the claimed design.

1 Claim, 9 Drawing Sheets



(56)

References Cited

U.S. PATENT DOCUMENTS

8,596,601 B1 * 12/2013 Andersen A47G 1/1633
248/231.71
D717,701 S * 11/2014 Hudson D12/115
D728,431 S * 5/2015 Lang D12/115
9,173,507 B2 * 11/2015 Thrush A47F 5/0846
D772,603 S 11/2016 Adlesich
D780,640 S * 3/2017 Hudson, Jr. D12/115
D809,435 S * 2/2018 Gertner D12/115
9,915,096 B2 * 3/2018 Potter A47F 5/01
D913,777 S * 3/2021 Liu D8/370
D918,783 S * 5/2021 Liu D12/115
2006/0180554 A1 * 8/2006 Lang B62H 3/12
211/18
2009/0229713 A1 * 9/2009 Ernst C21D 1/34
148/516

* cited by examiner

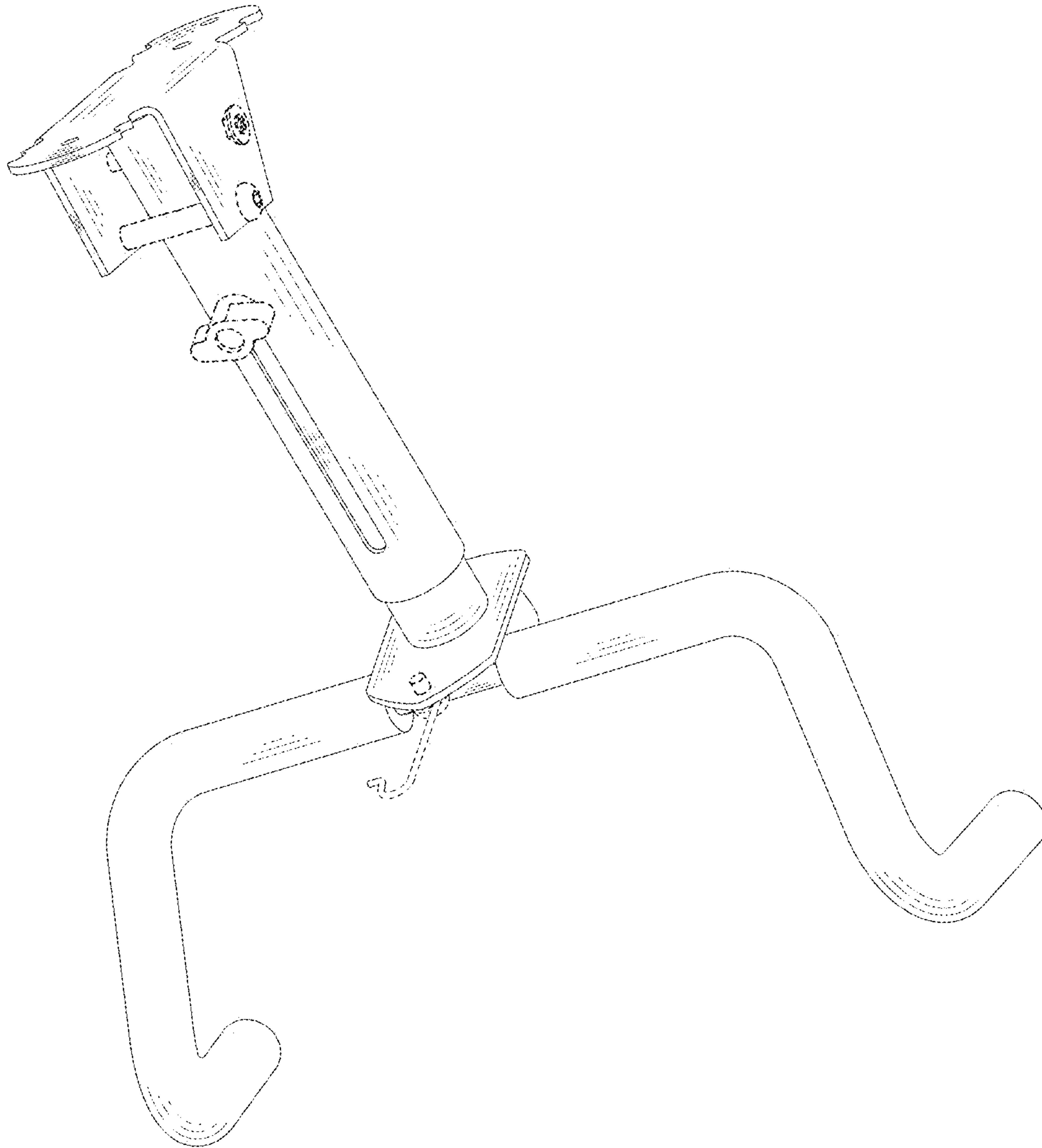


FIG. 1

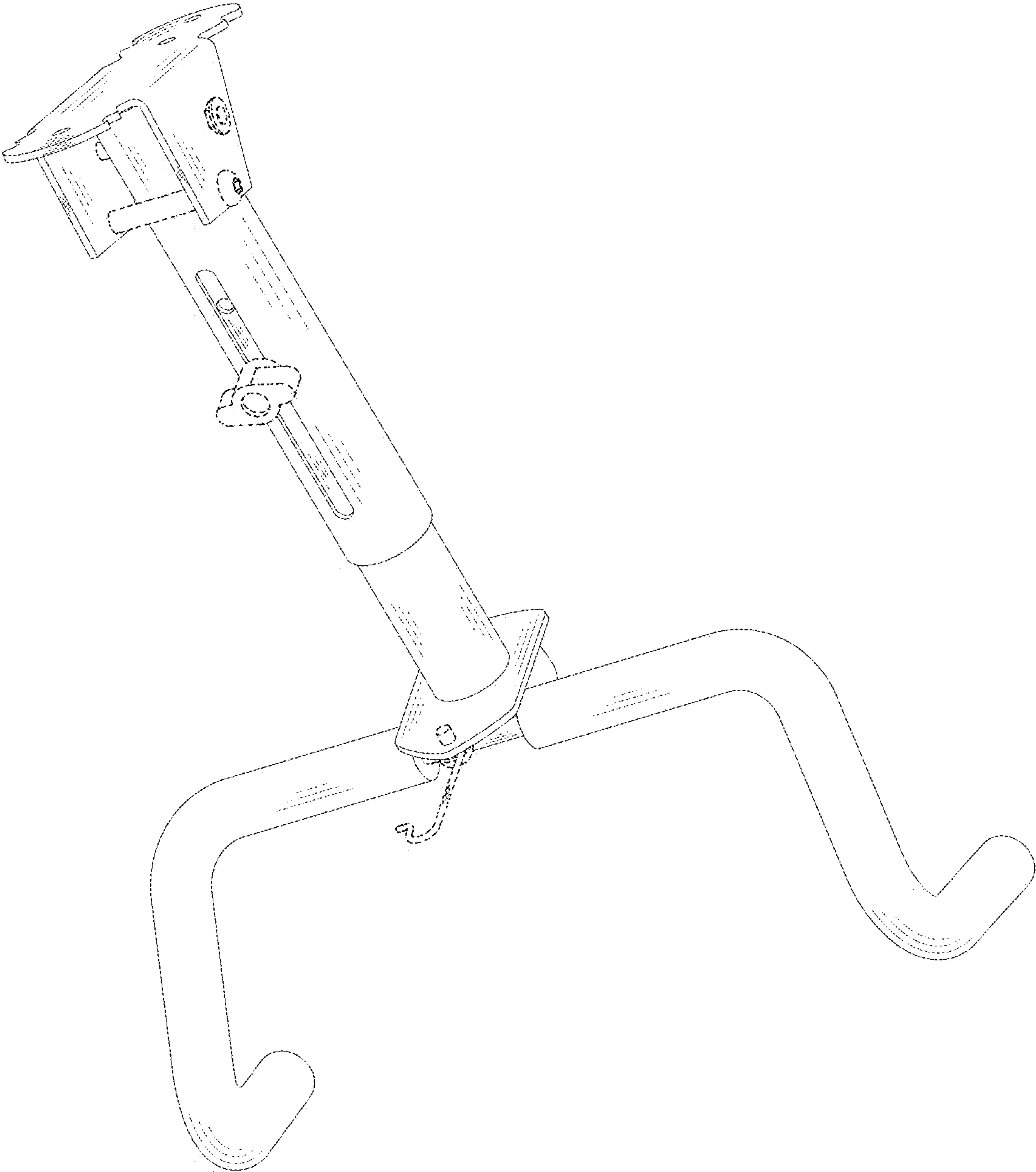


FIG. 2

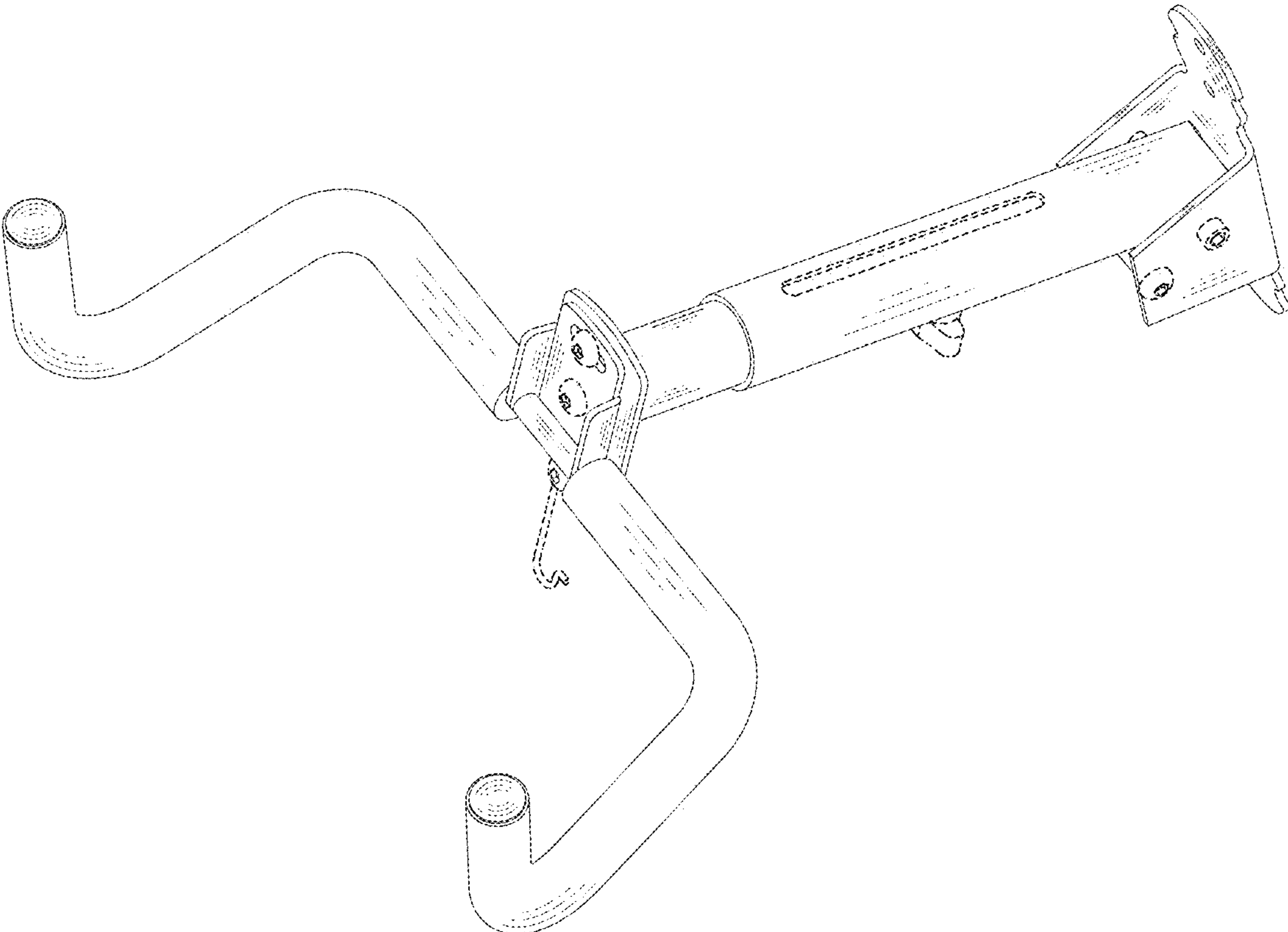


FIG. 3

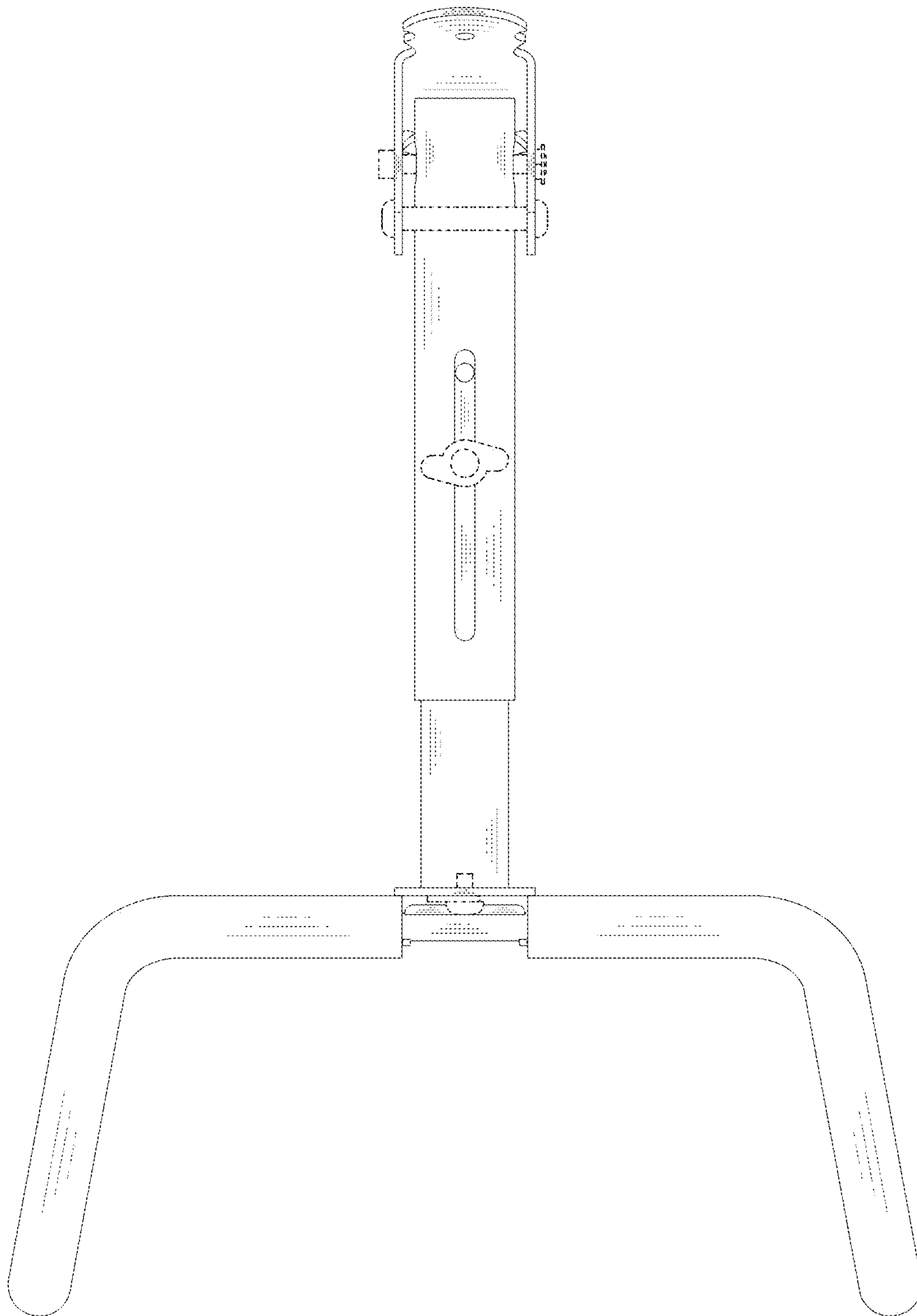


FIG. 4

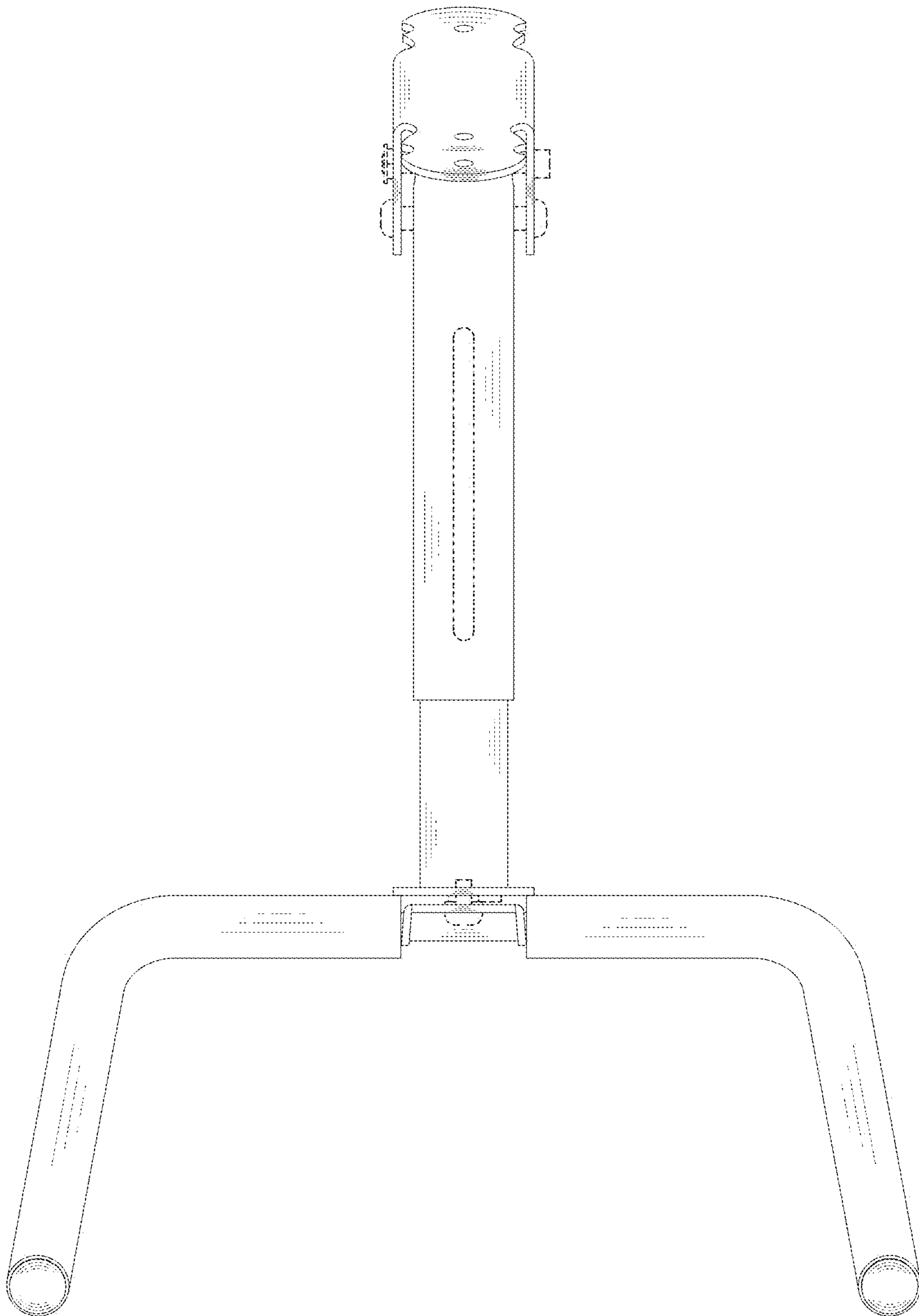


FIG. 5

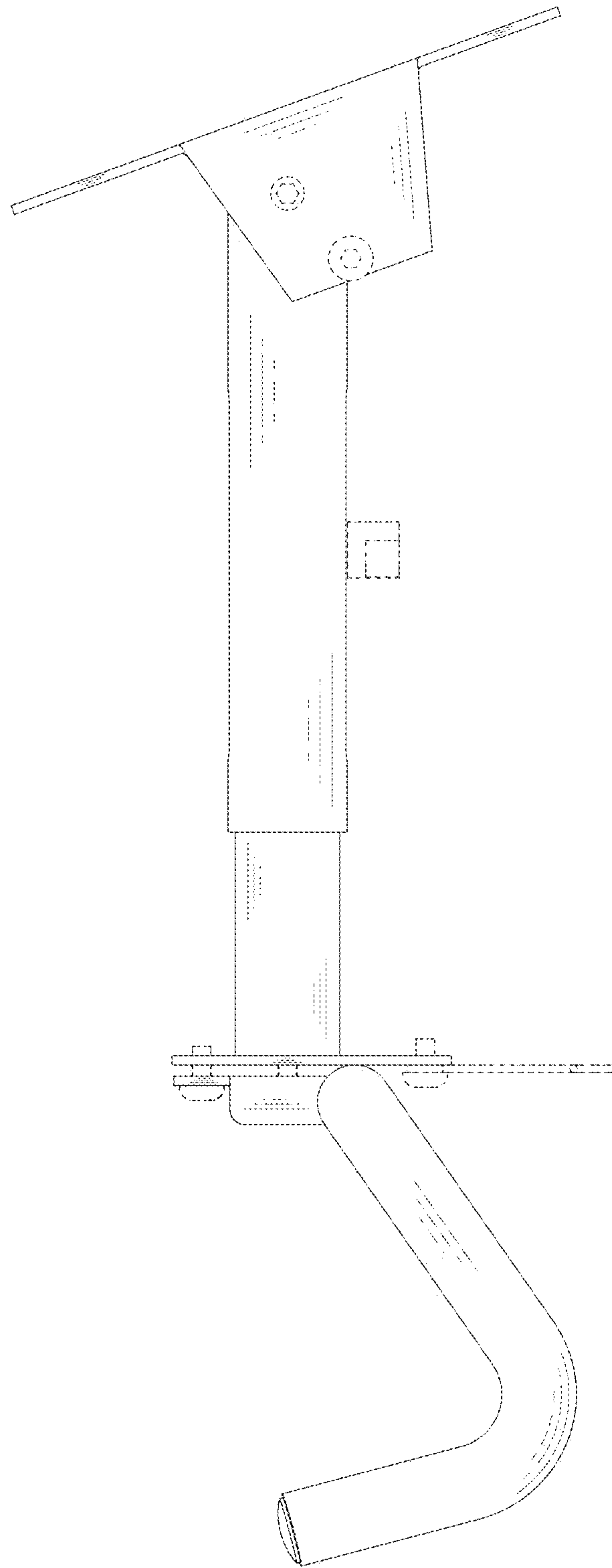


FIG. 6

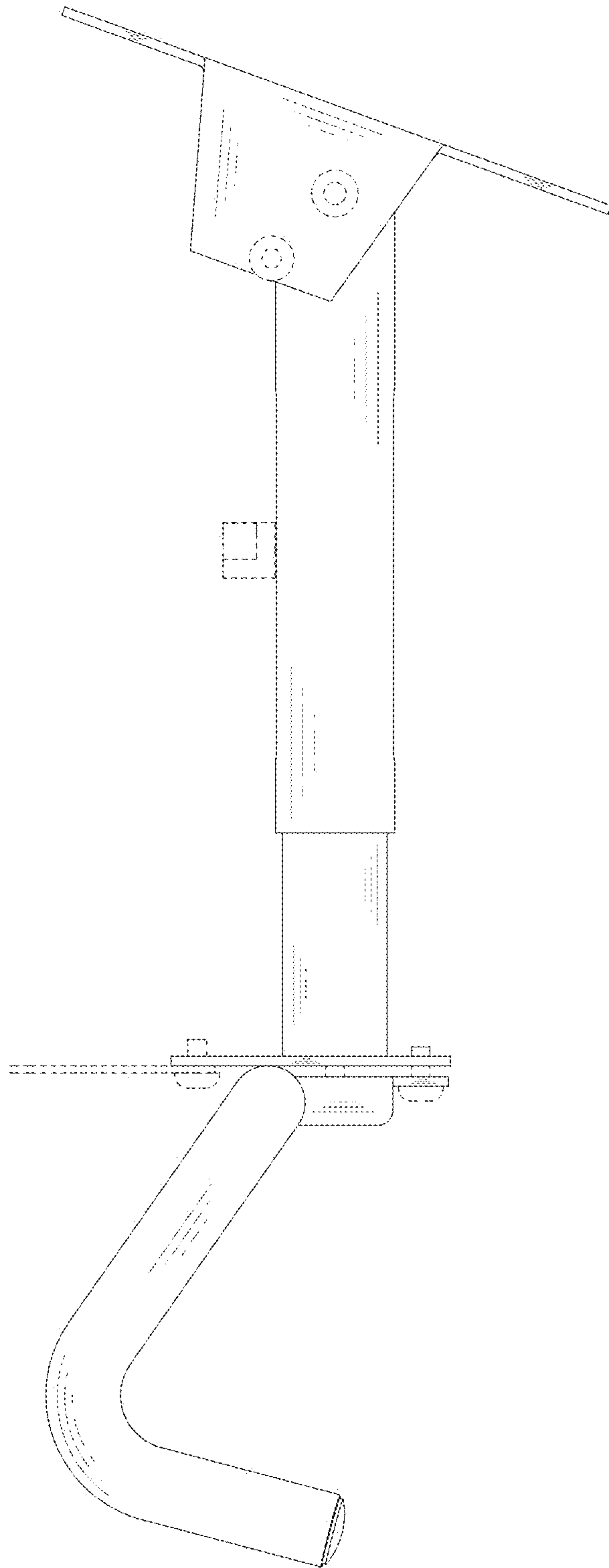


FIG. 7

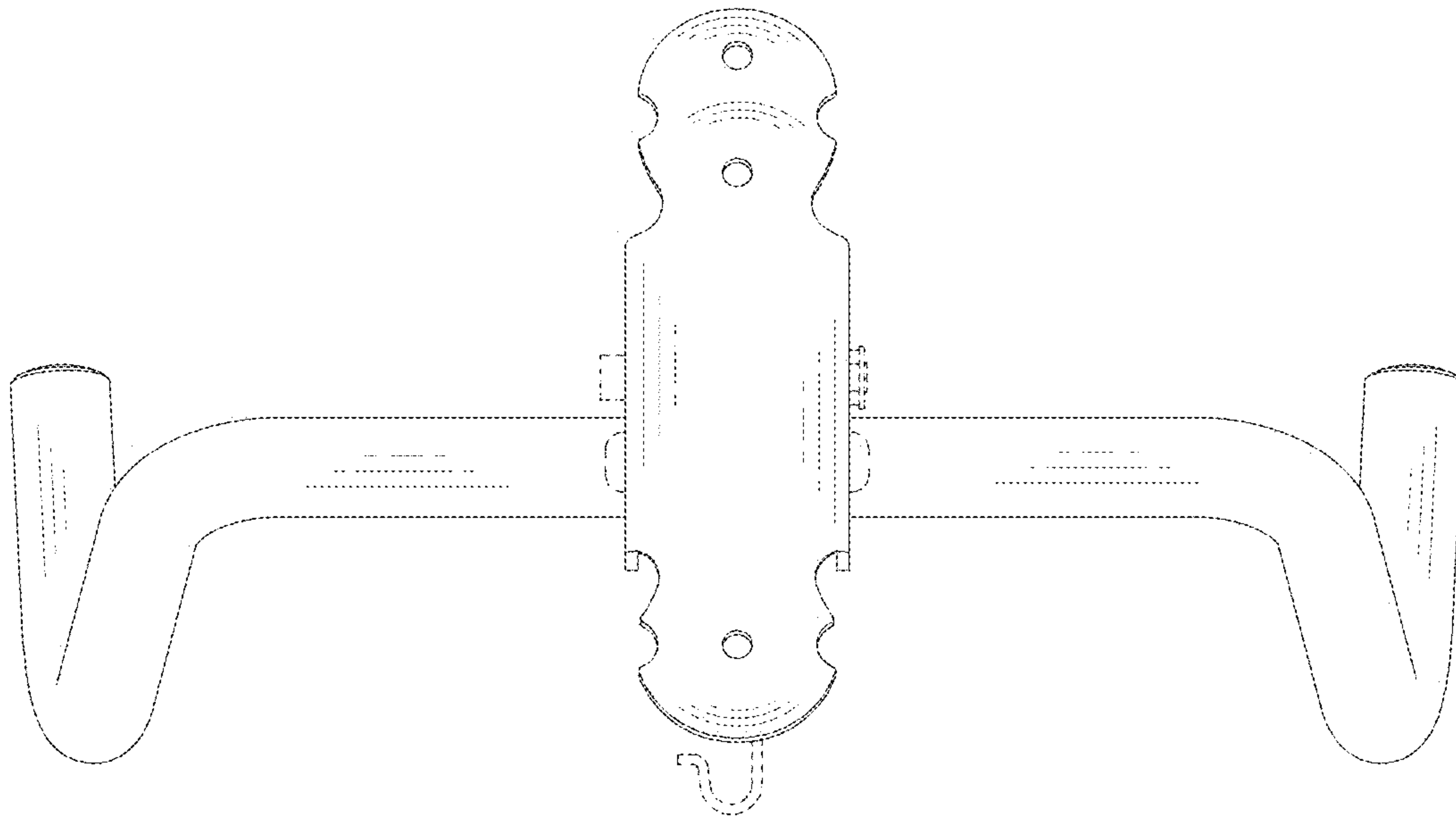


FIG. 8

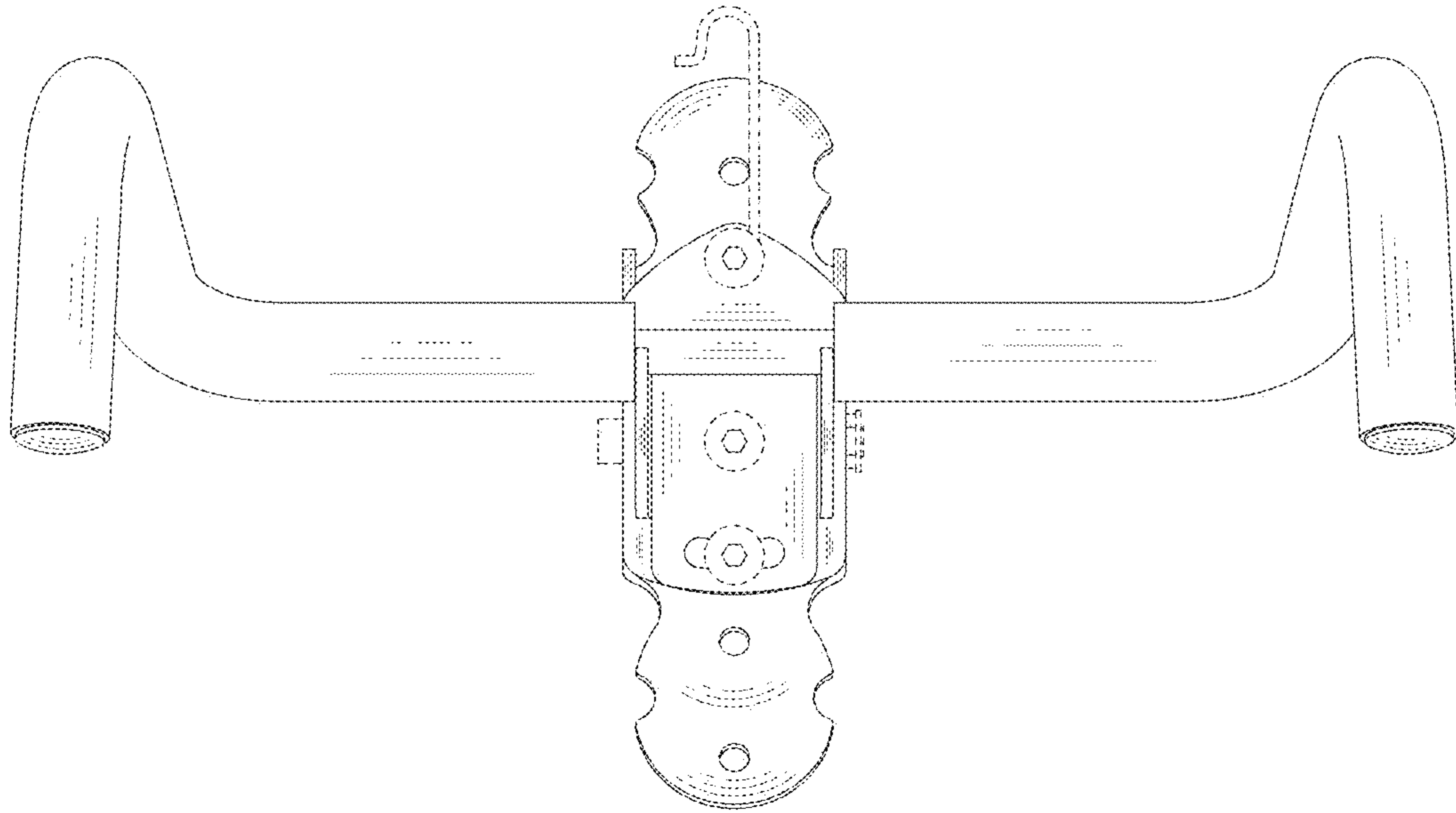


FIG. 9



US00D982486C1

(12) **EX PARTE REEXAMINATION CERTIFICATE** (12791st)
United States Patent
Pang

(10) **Number:** **US D982,486 C1**
(45) **Certificate Issued:** **Dec. 10, 2024**

(54) **ADJUSTABLE BIKE WALL HANGER**

(71) Applicant: **Xiaogang Pang**, Guangdong (CN)

(72) Inventor: **Xiaogang Pang**, Guangdong (CN)

Reexamination Request:

No. 90/019,408, Feb. 8, 2024

Reexamination Certificate for:

Patent No.: **Des. 982,486**

Issued: **Apr. 4, 2023**

Appl. No.: **29/857,483**

Filed: **Oct. 21, 2022**

(51) **LOC (14) Cl.** **08-10**

(52) **U.S. Cl.**

USPC **D12/115**

(58) **Field of Classification Search**

USPC D6/331, 390–392

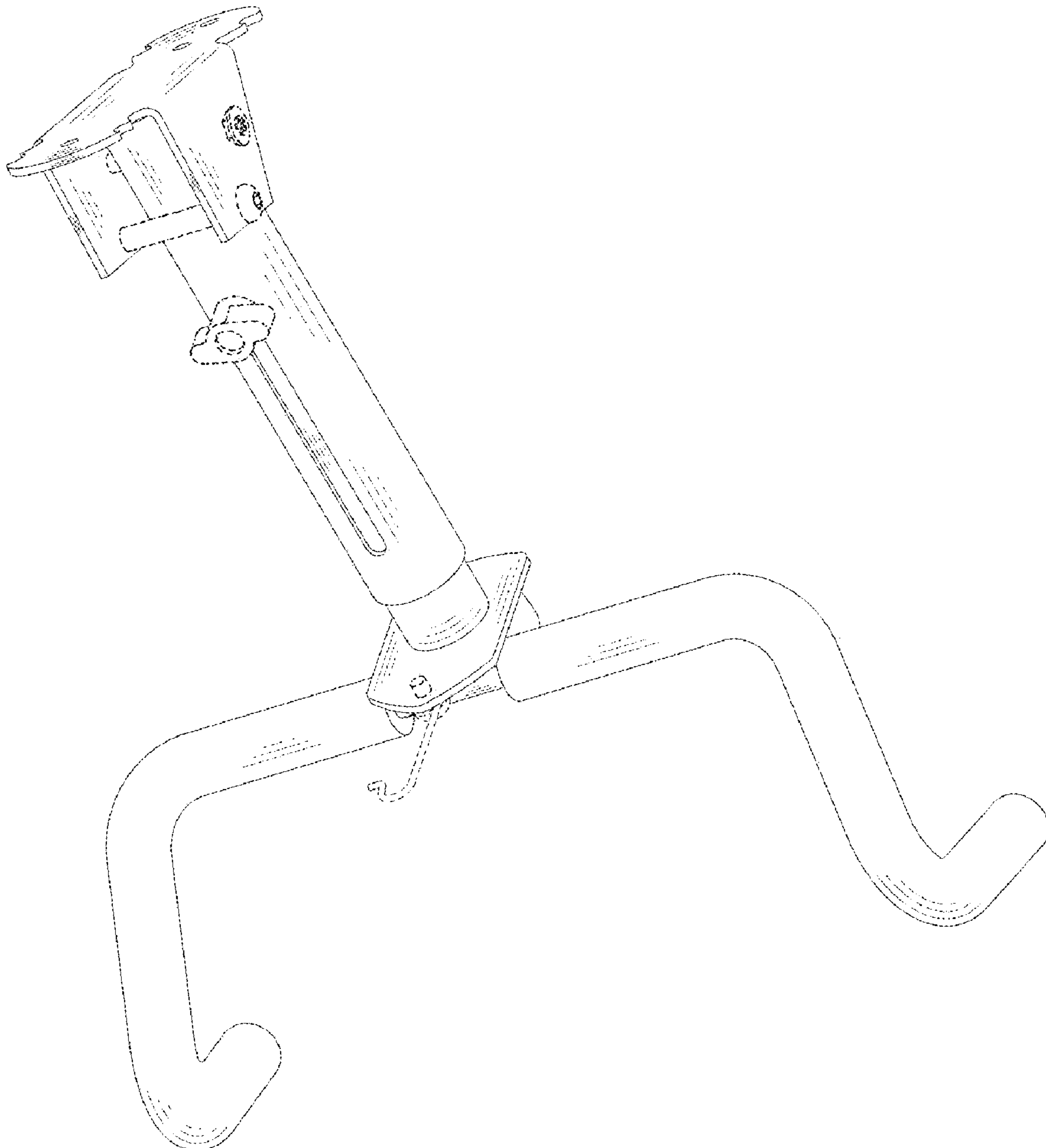
CPC A47D 13/065; A47D 13/066

See application file for complete search history.

(56) **References Cited**

To view the complete listing of prior art documents cited during the proceeding for Reexamination Control Number 90/019,408, please refer to the USPTO's Patent Electronic System.

Primary Examiner — Darlington Ly



1
EX PARTE
REEXAMINATION CERTIFICATE

NO AMENDMENTS HAVE BEEN MADE TO 5
THE PATENT

AS A RESULT OF REEXAMINATION, IT HAS BEEN
DETERMINED THAT:

The patentability of claim 1 is confirmed. 10

* * * * *