



US00D982485S

(12) **United States Design Patent**
Nagano

(10) **Patent No.:** **US D982,485 S**
(45) **Date of Patent:** **** Apr. 4, 2023**

- (54) **HEADLAMP FOR BICYCLE**
- (71) Applicant: **Cateye Co., Ltd.**, Osaka (JP)
- (72) Inventor: **Toshiyuki Nagano**, Osaka (JP)
- (73) Assignee: **CATEYE CO., LTD.**, Osaka (JP)
- (**) Term: **15 Years**
- (21) Appl. No.: **29/780,394**
- (22) Filed: **Apr. 23, 2021**

- D667,580 S * 9/2012 Lee D26/60
 - D670,838 S * 11/2012 Ueda D26/60
 - D678,562 S * 3/2013 Chan D26/60
 - D715,980 S * 10/2014 Ueda D26/28
 - D735,381 S * 7/2015 Lee D26/60
- (Continued)

- (30) **Foreign Application Priority Data**
 - Oct. 28, 2020 (JP) 2020-023194 D
 - (51) **LOC (14) Cl.** **26-06**
 - (52) **U.S. Cl.**
 - USPC **D12/114**
 - (58) **Field of Classification Search**
 - USPC D10/114, 114.1, 114.2, 114.3; D26/24,
D26/39, 60, 61-66, 72, 97; D12/114
 - CPC F21W 2107/00; F21W 2107/13; F21W
2107/17; F21S 9/00; F21S 8/043; F21V
15/04; B62J 6/00; B62J 6/001; B62J
6/002
- See application file for complete search history.

FOREIGN PATENT DOCUMENTS

- GB 6132545 * 12/2020
 - JP D1614789 S 10/2018
- (Continued)

OTHER PUBLICATIONS

Amazon, LXL USB Rechargeable Super Bike Headlight and Back light Set, published Apr. 10, 2020, [retrieved on Sep. 30, 2022]. Retrieved from the internet<<https://www.amazon.com/Rechargeable-Headlight-Runtime-Bicycles-Mountain/dp/B086YSPM4X>> (Year: 2020).*

(Continued)

Primary Examiner — Joseph Kukella
Assistant Examiner — Lavon M Amerson
(74) *Attorney, Agent, or Firm* — Morgan, Lewis & Bockius LLP

(57) **CLAIM**

The ornamental design for a headlamp for a bicycle, as shown.

(56) **References Cited**

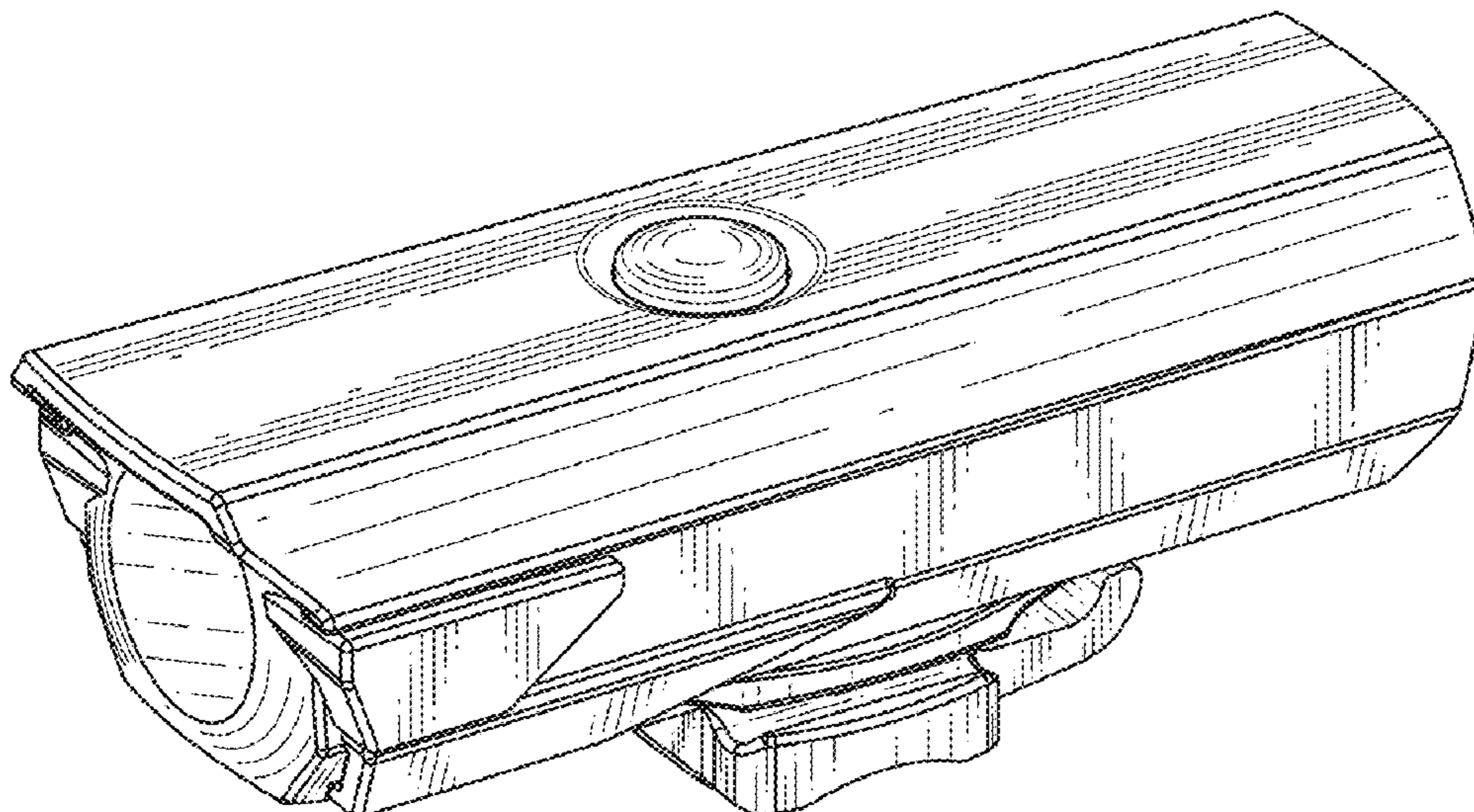
U.S. PATENT DOCUMENTS

- D340,779 S * 10/1993 Quadri D26/63
- D441,107 S * 4/2001 Okuda D26/28
- D444,581 S * 7/2001 Okuda D26/28
- D497,444 S * 10/2004 Okuda D26/28
- D513,083 S * 12/2005 Okuda D26/28
- D541,447 S * 4/2007 Ueda D26/28
- D560,833 S * 1/2008 Ueda D26/28
- D608,483 S * 1/2010 Lee D26/60
- D609,378 S * 2/2010 Lee D26/60
- D609,379 S * 2/2010 Lee D26/60
- D629,538 S * 12/2010 Nagano D26/28
- D663,453 S * 7/2012 Nagano D26/28

DESCRIPTION

FIG. 1 is a perspective view of a headlamp for a bicycle showing my new design;
FIG. 2 is a front view thereof;
FIG. 3 is a rear view thereof;
FIG. 4 is a right side view thereof;
FIG. 5 is a left side view thereof;
FIG. 6 is a top plan view thereof; and,
FIG. 7 is a bottom plan view thereof.

1 Claim, 4 Drawing Sheets



(56)

References Cited

U.S. PATENT DOCUMENTS

D757,311 S	*	5/2016	Nagano	D26/60
D779,690 S	*	2/2017	Nagano	D26/28
D779,691 S	*	2/2017	Nagano	D26/28
D810,339 S	*	2/2018	Peng	D26/60
D846,167 S	*	4/2019	Tang	D26/60
D891,665 S	*	7/2020	Nagano	D26/60
D918,451 S	*	5/2021	Shirota	D26/60
D919,148 S	*	5/2021	Shirota	D26/60
D923,832 S	*	6/2021	Chen	D26/28

FOREIGN PATENT DOCUMENTS

JP	109306877	*	6/2020
JP	110302200	*	10/2020
TW	D204741 S		5/2020
TW	D207168 S		9/2020
TW	D207169 S		9/2020
TW	D207170 S		9/2020

OTHER PUBLICATIONS

WayBackMachine, Cat eye AMPP200, published Aug. 17, 2021[retrieved on Sep. 30, 2022]. Retrieved from the internet<<https://www.cateye.com/intl/products/headlights/HL-EL042RC/> (Year: 2021).*

Notice of Allowance dated Aug. 20, 2021, issued in corresponding Taiwanese Design Application No. 110302200.

* cited by examiner

FIG. 1

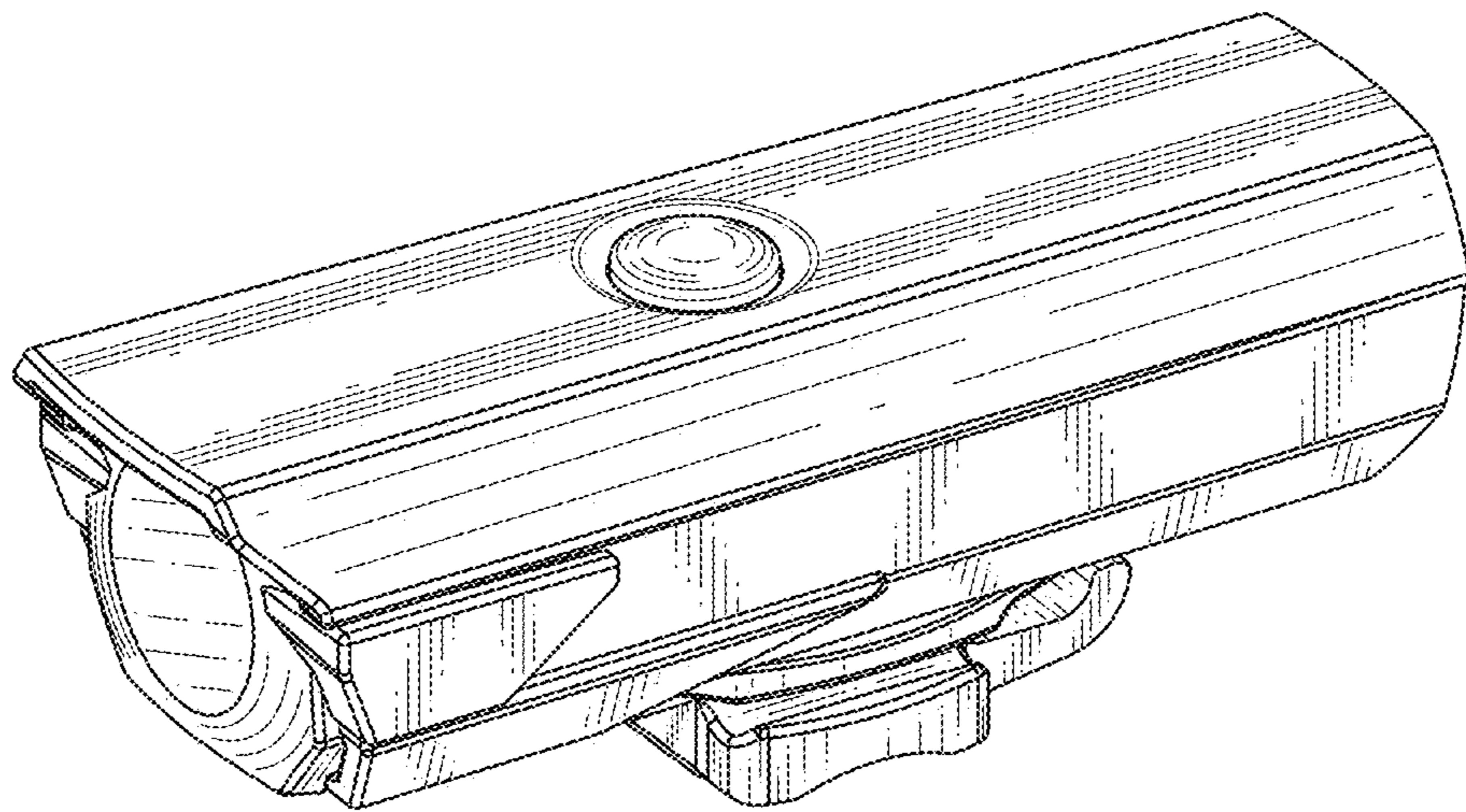


FIG.2

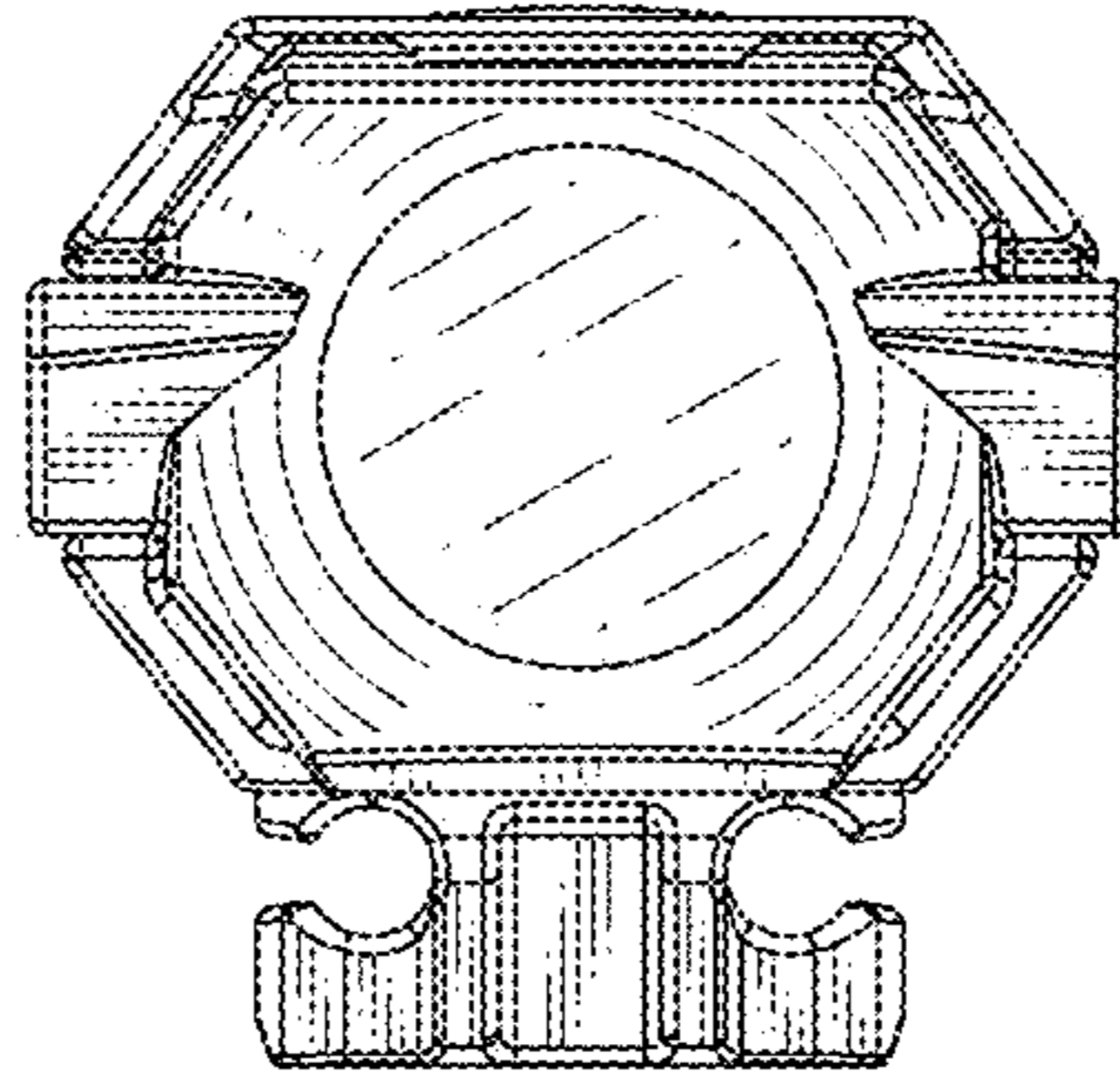


FIG.3

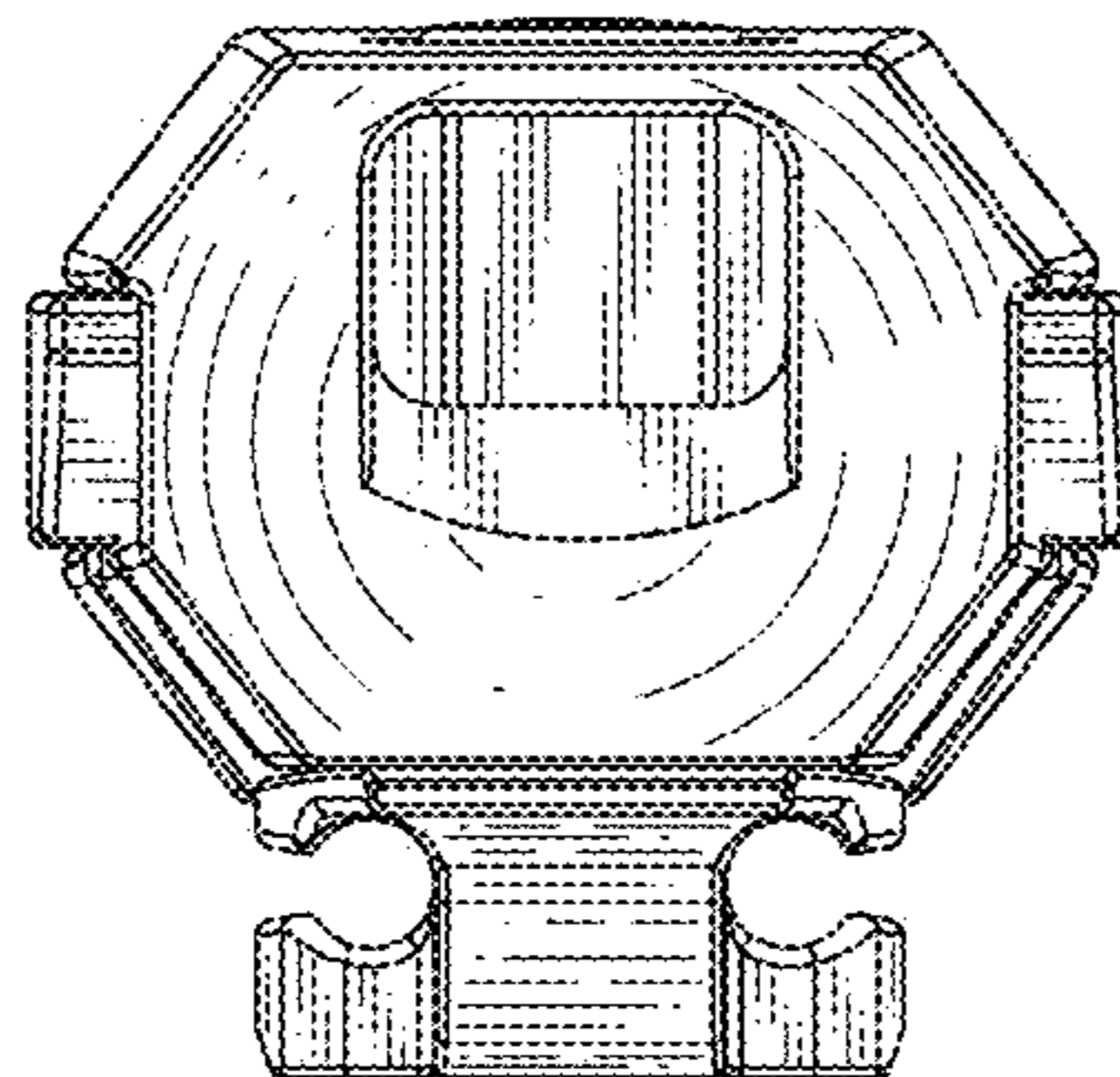


FIG.4

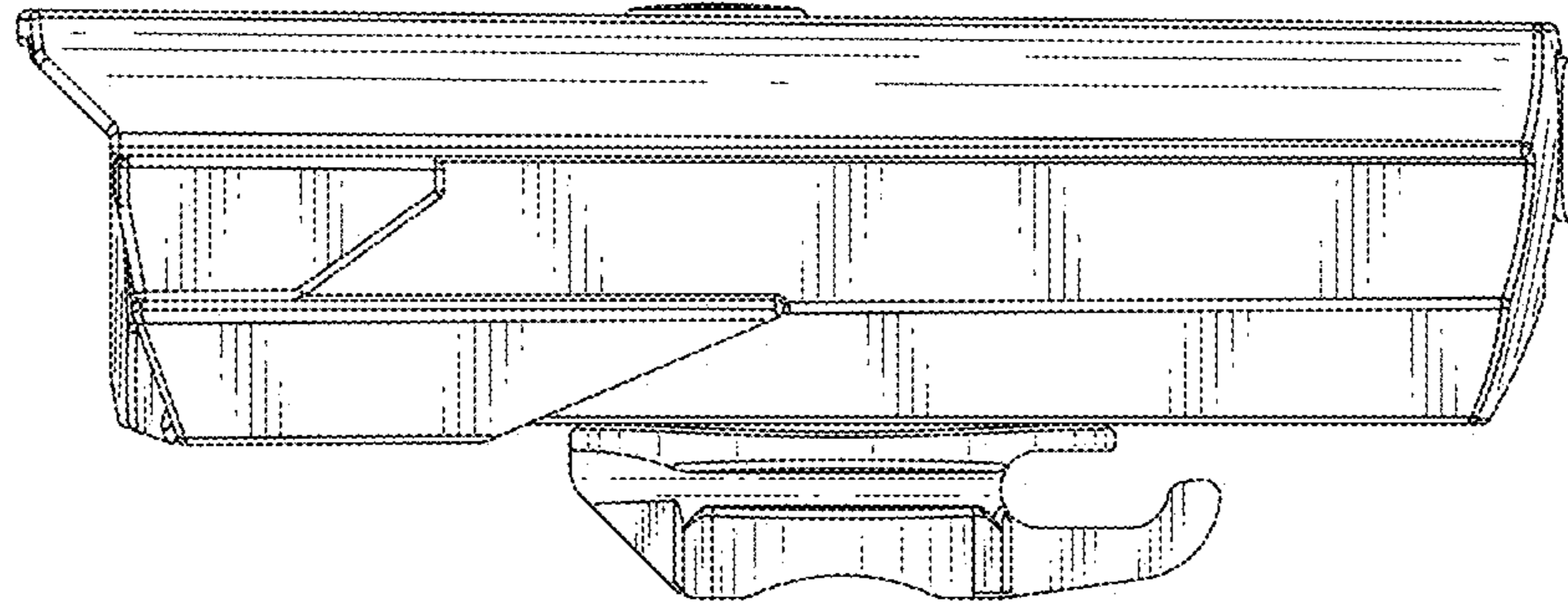


FIG.5

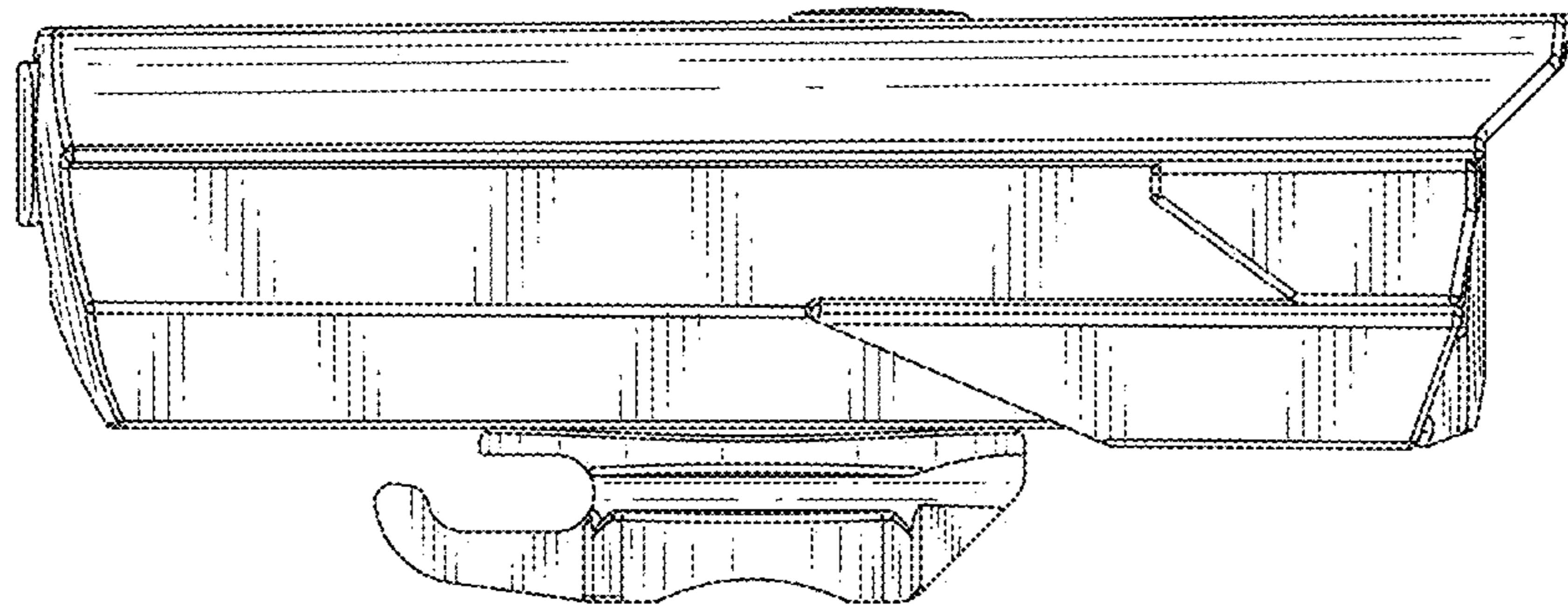


FIG. 6

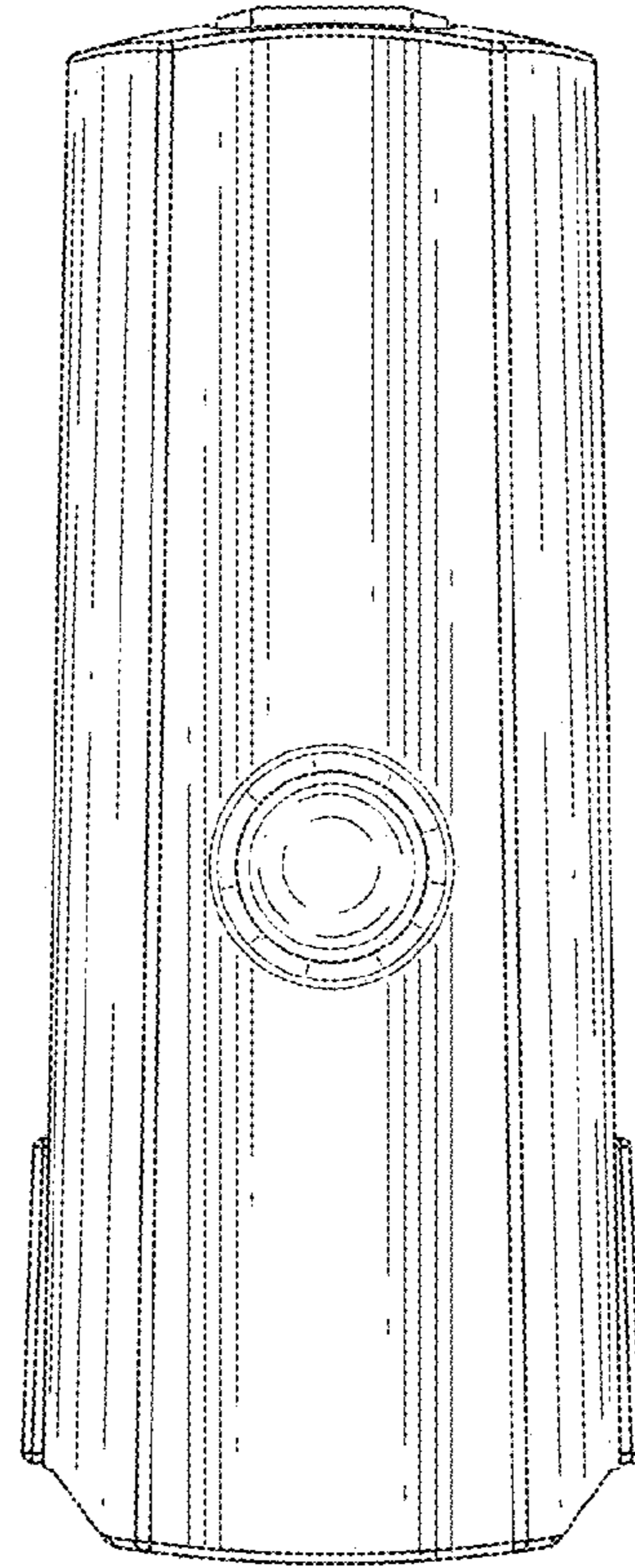


FIG. 7

