



US00D982482S

(12) **United States Design Patent**  
**Badstuebner et al.**

(10) **Patent No.:** **US D982,482 S**

(45) **Date of Patent:** **\*\* Apr. 4, 2023**

(54) **MOTOR VEHICLE BODY, TOY REPLICA  
AND/OR OTHER REPLICA**

(71) Applicant: **Daimler AG**, Stuttgart (DE)

(72) Inventors: **Achim-Dietrich Badstuebner**,  
Sindelfingen (DE); **Denis Di Pardo**,  
Nufringen (DE); **Robert Lesnik**,  
Leonberg (DE); **Laurent Olivier**,  
Roquefort les Pins (FR); **Thomas  
Saelzle**, Kornwestheim (DE); **Gorden  
Wagener**, Wangen (DE)

(73) Assignee: **Mercedes-Benz Group AG**, Stuttgart  
(DE)

(\*\*) Term: **15 Years**

(21) Appl. No.: **29/805,105**

(22) Filed: **Aug. 25, 2021**

(30) **Foreign Application Priority Data**

Feb. 26, 2021 (DE) ..... 402021200910.1

(51) **LOC (14) Cl.** ..... **12-08**

(52) **U.S. Cl.**  
USPC ..... **D12/91**

(58) **Field of Classification Search**  
USPC .... D12/86, 90–92, 164; D21/433, 434, 533,  
D21/535; 296/181.1–181.5, 183.1  
CPC ..... B62D 25/00; B62D 25/06; B62D 33/00;  
B62D 35/00  
See application file for complete search history.

(56) **References Cited**

**U.S. PATENT DOCUMENTS**

D608,695 S \* 1/2010 Burki ..... D12/91  
D827,497 S \* 9/2018 Frei ..... D12/91

D837,692 S 1/2019 Badstuebner et al.  
D862,287 S \* 10/2019 Badstuebner ..... D12/91  
D867,212 S \* 11/2019 Badstuebner ..... D12/91  
D873,715 S \* 1/2020 Badstuebner ..... D12/91  
D873,716 S \* 1/2020 Badstuebner ..... D12/91  
D886,679 S \* 6/2020 Hellwig ..... D12/91  
D914,543 S \* 3/2021 Badstuebner ..... D12/91  
D929,900 S \* 9/2021 Badstuebner ..... D12/91  
D933,531 S \* 10/2021 Badstuebner ..... D12/92  
D941,709 S \* 1/2022 Badstuebner ..... D12/92  
D944,688 S \* 3/2022 Badstuebner ..... D12/92  
D962,825 S \* 9/2022 Badstuebner ..... D12/91  
D971,787 S \* 12/2022 Badstuebner ..... D12/91

\* cited by examiner

*Primary Examiner* — Melody N Brown

(74) *Attorney, Agent, or Firm* — Crowell & Moring LLP

(57) **CLAIM**

The ornamental design for a motor vehicle body, toy replica and/or other replica, as shown and described.

**DESCRIPTION**

This application contains subject matter related to the following co-pending U.S. design patent application:

Application Ser. No. 29/805,106, filed herewith and entitled “Motor Vehicle, Toy Replica, and/or Other Replica”.

FIG. 1 is a front perspective view of a motor vehicle body, toy replica and/or other replica showing our new design;

FIG. 2 is a left, rear perspective view thereof;

FIG. 3 is a front view thereof;

FIG. 4 is a rear view thereof;

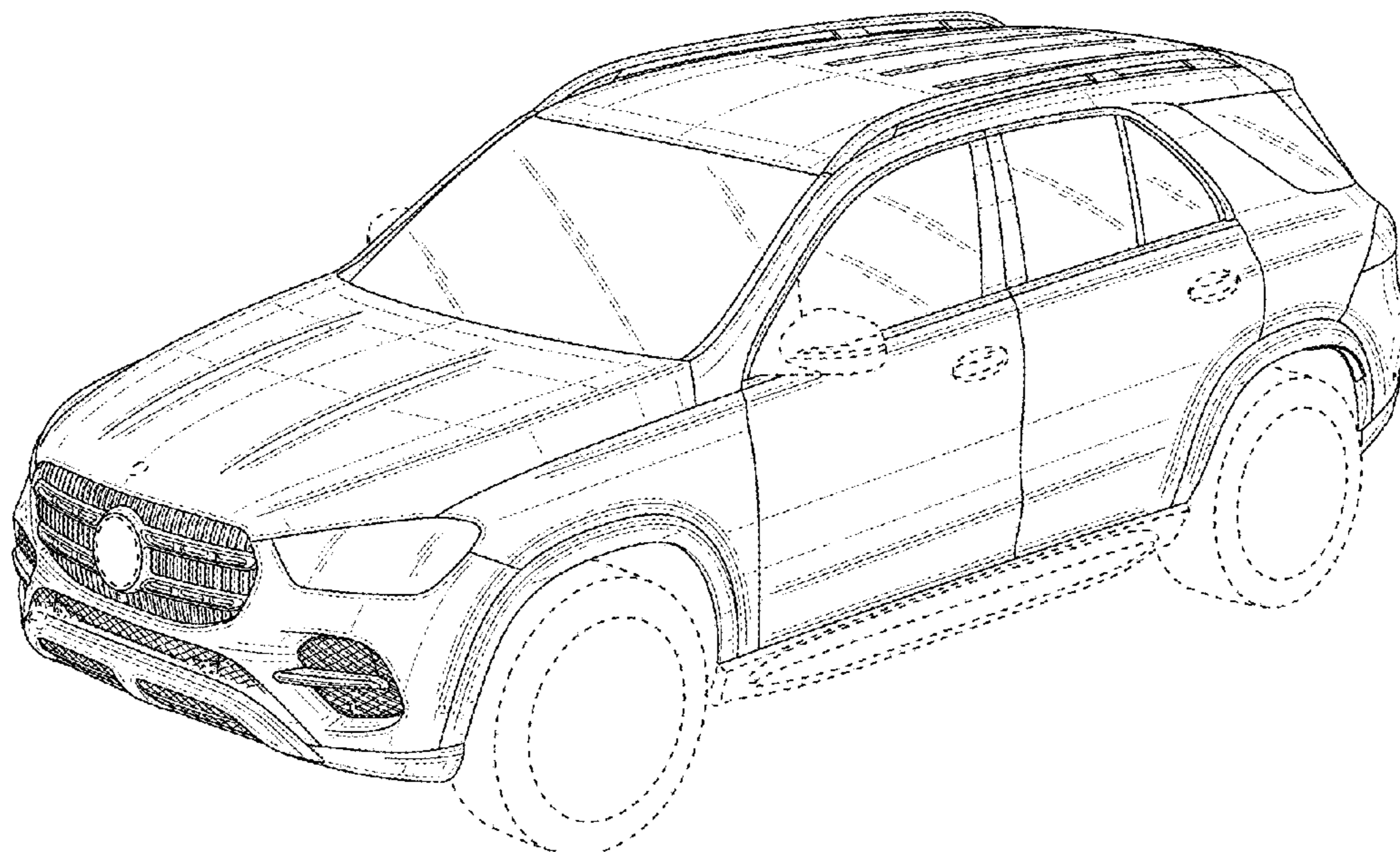
FIG. 5 is a right side view thereof;

FIG. 6 is a left side view thereof; and,

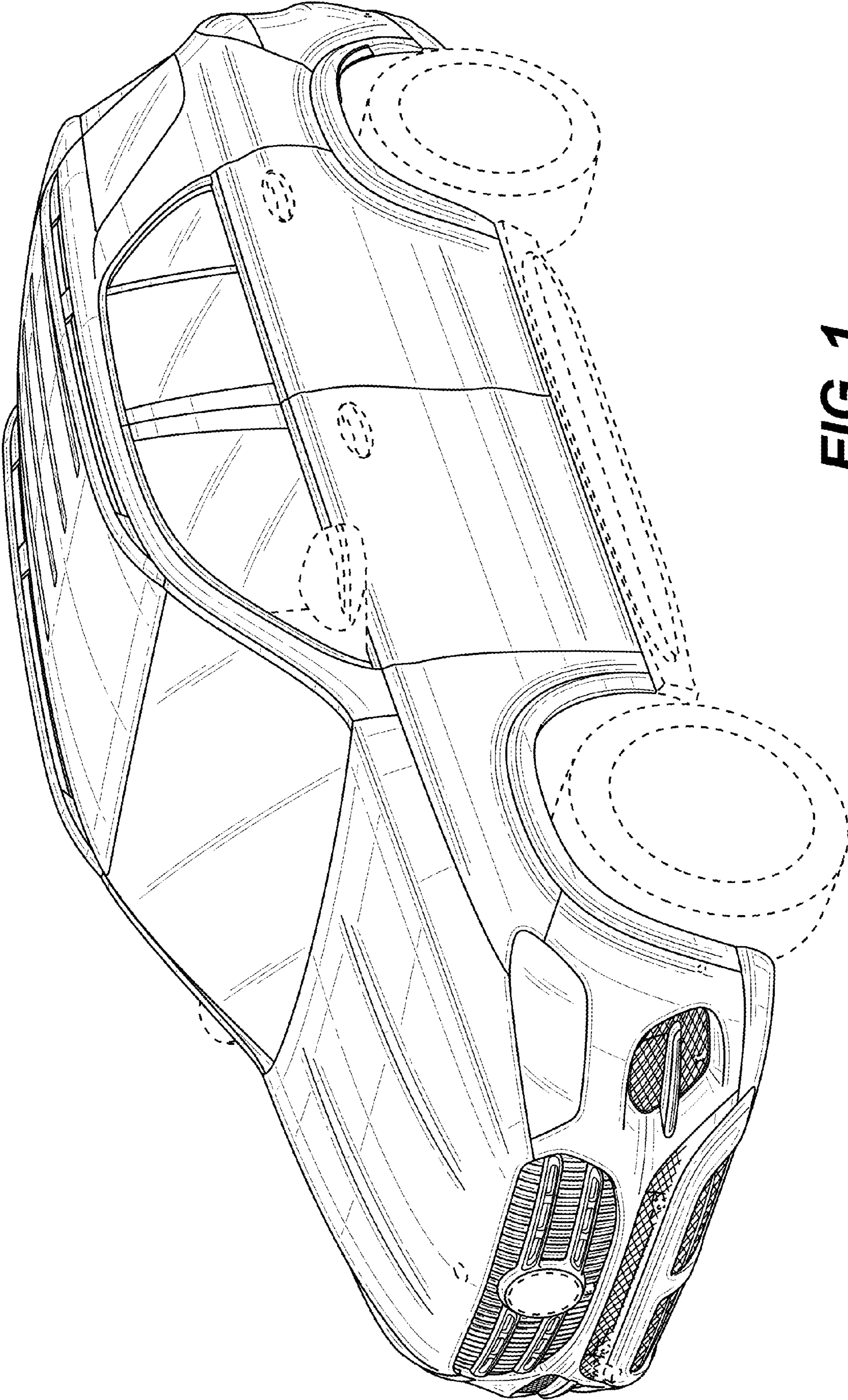
FIG. 7 is a top view thereof.

The broken lines shown throughout the drawing views are for environmental and illustrative purposes that form no part of the claimed design.

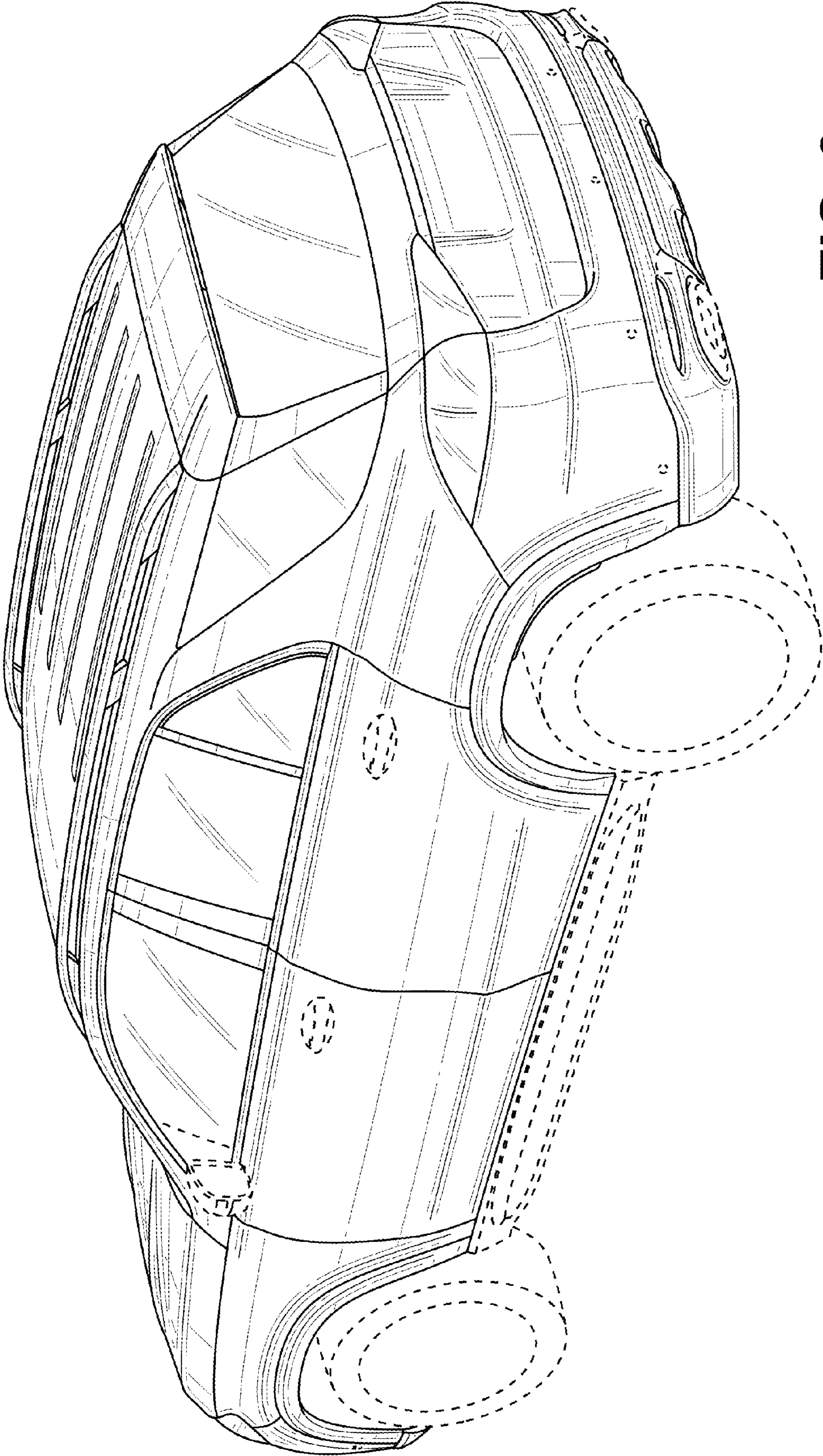
**1 Claim, 7 Drawing Sheets**





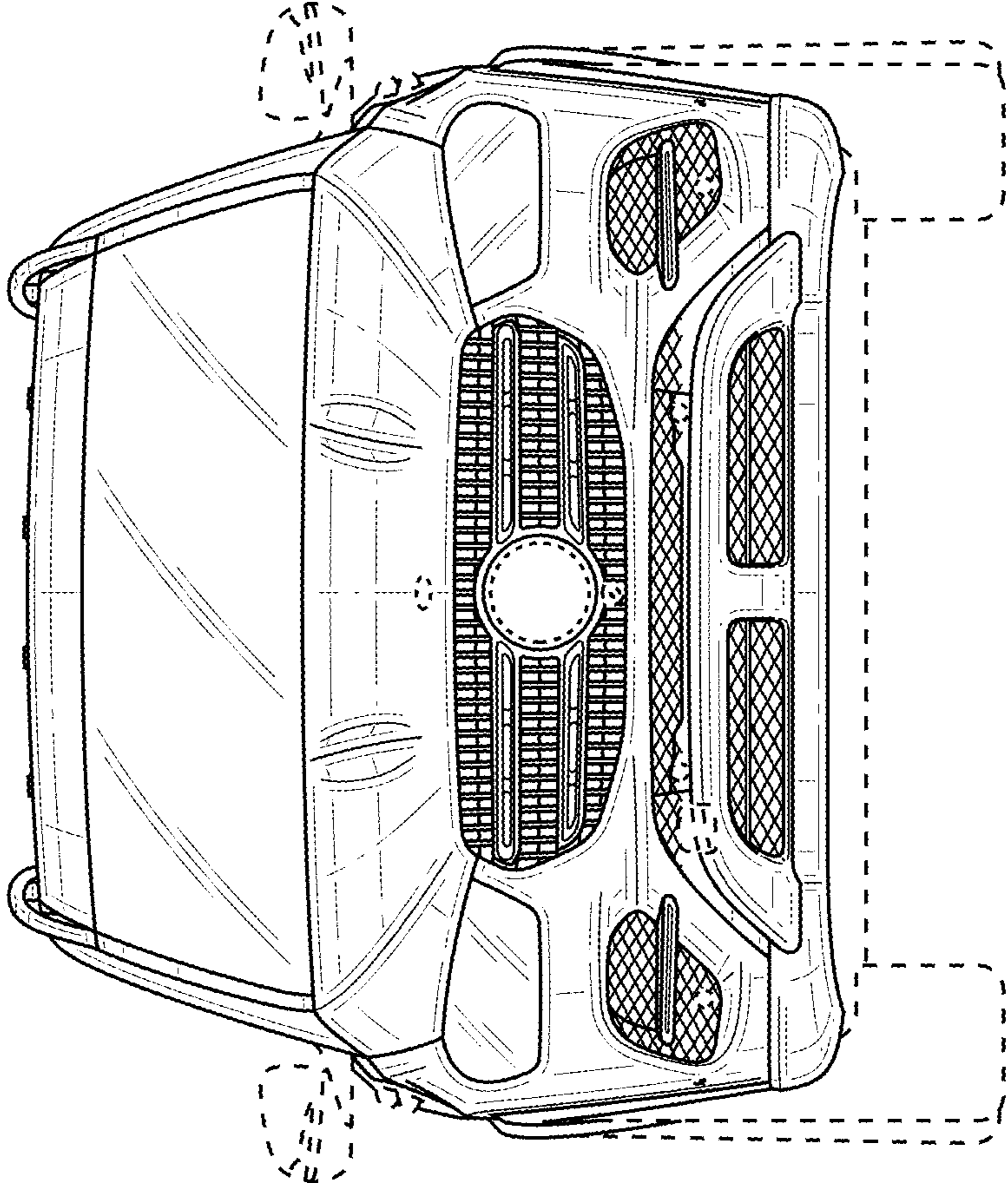


**FIG. 1**

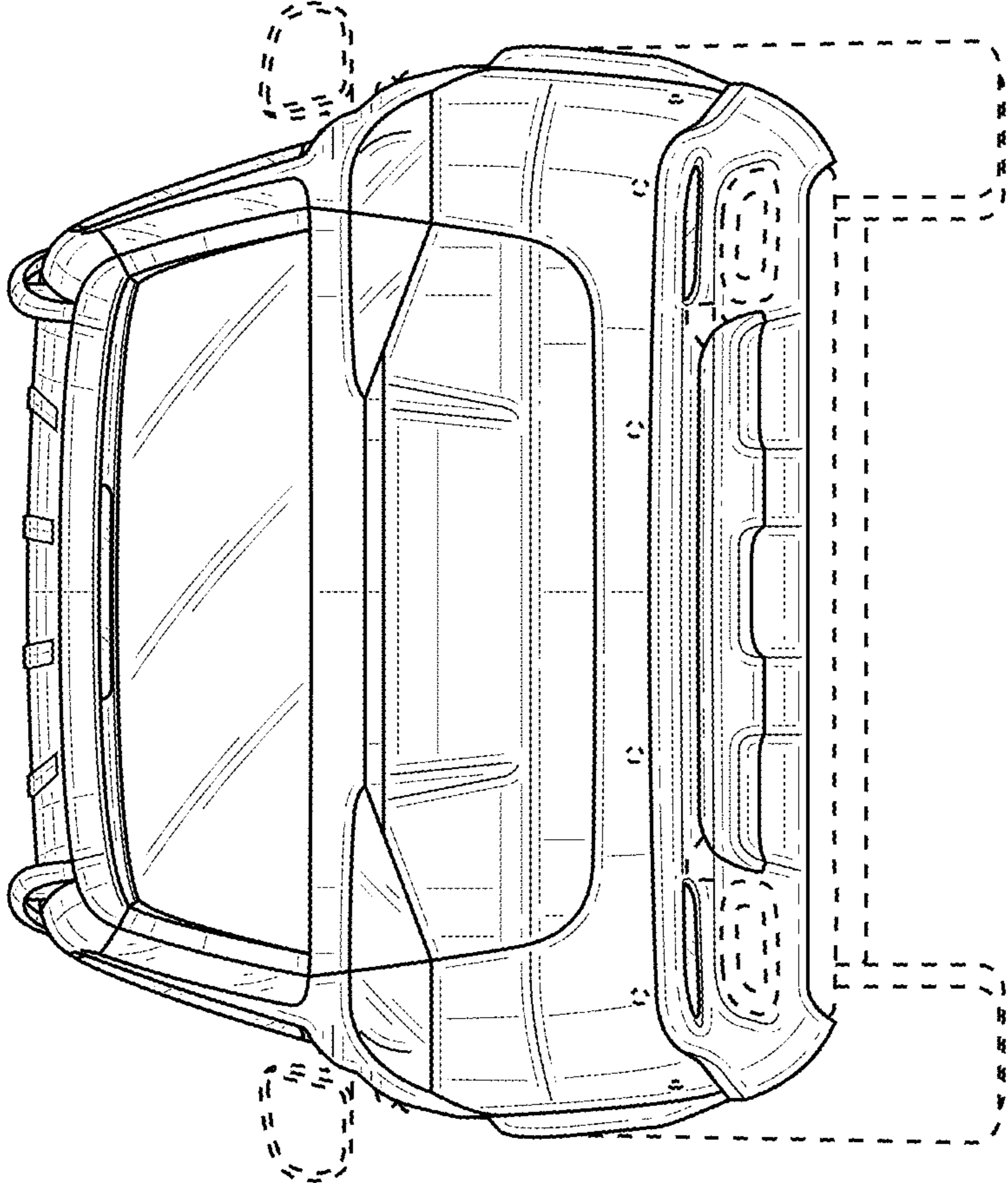


**FIG. 2**

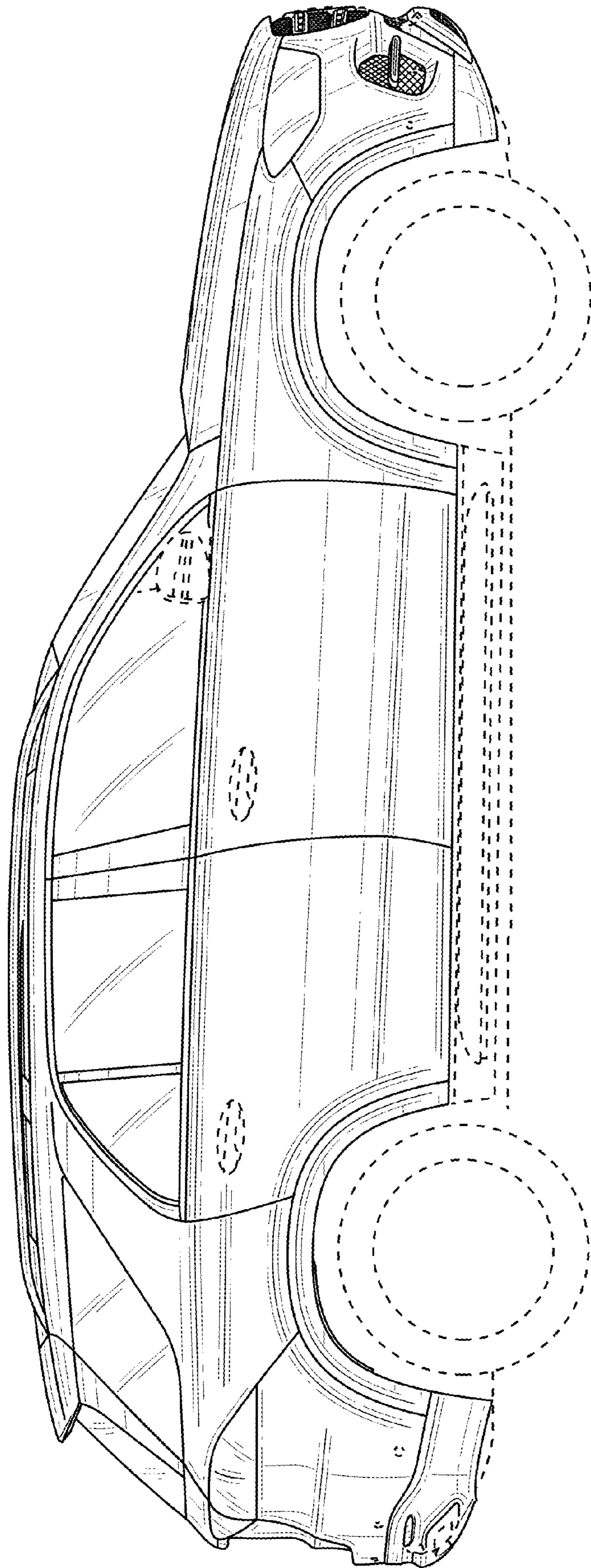




**FIG. 3**

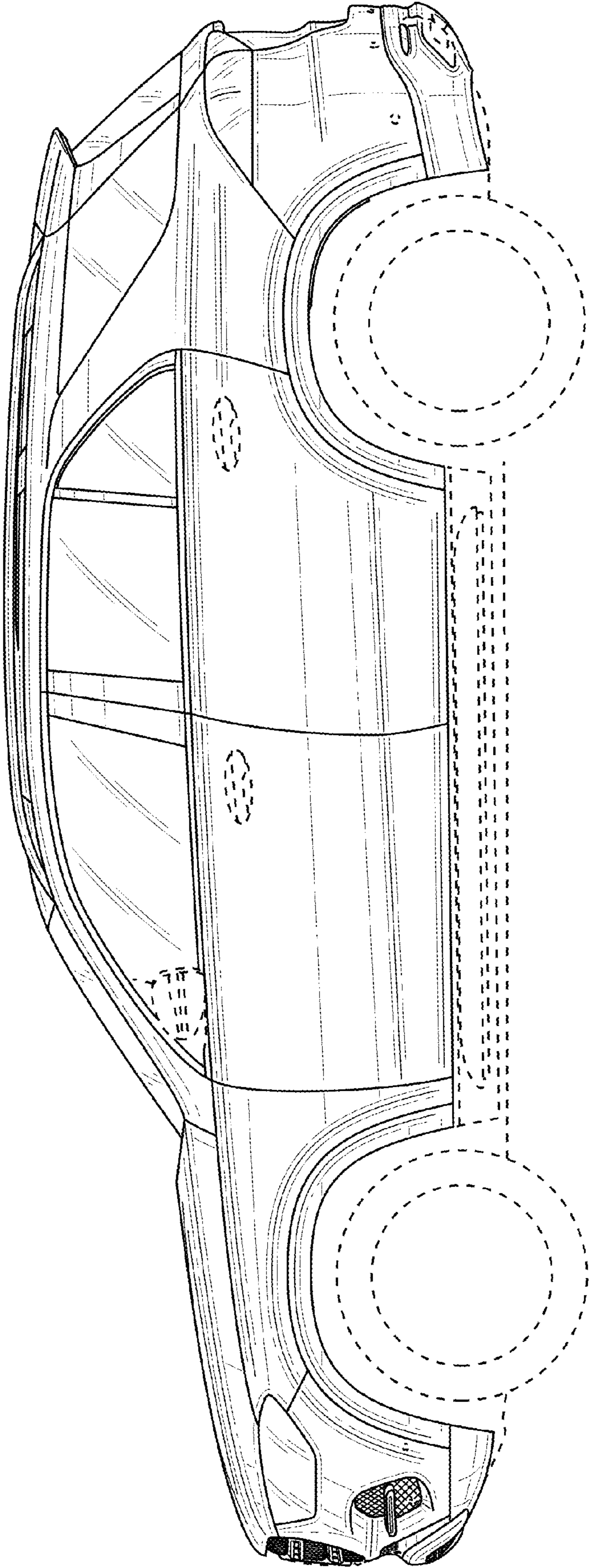


**FIG. 4**

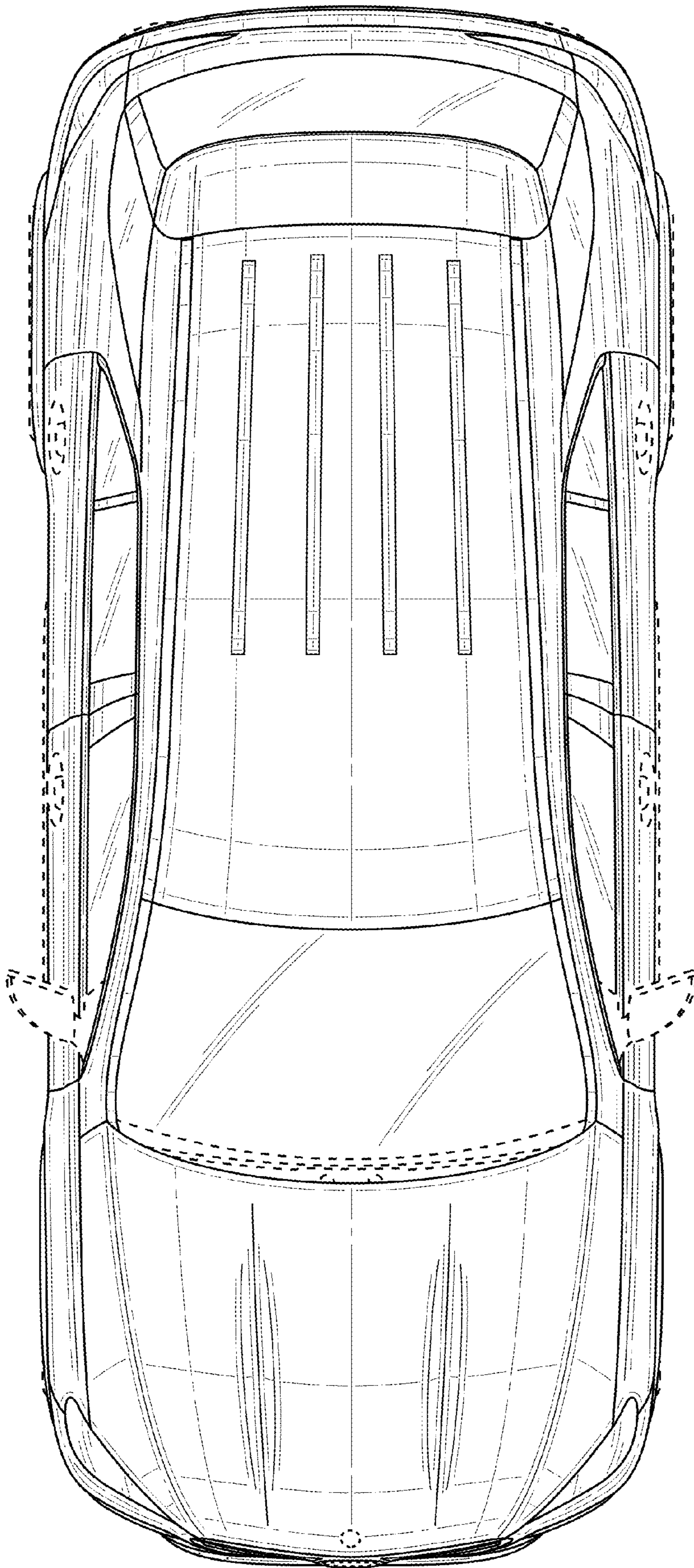


**FIG. 5**





**FIG. 6**



**FIG. 7**