



US00D982481S

(12) **United States Design Patent** (10) **Patent No.:** **US D982,481 S**
Mori et al. (45) **Date of Patent:** **** Apr. 4, 2023**

(54) **TOW TRACTOR**

(71) Applicant: **KABUSHIKI KAISHA TOYOTA JIDOSHOKKI**, Kariya (JP)

(72) Inventors: **Hiroki Mori**, Kariya (JP); **Tadayuki Yakushi**, Kariya (JP)

(73) Assignee: **KABUSHIKI KAISHA TOYOTA JIDOSHOKKI**, Kariya (JP)

(**) Term: **15 Years**

(21) Appl. No.: **29/807,117**

(22) Filed: **Sep. 9, 2021**

(30) **Foreign Application Priority Data**

Mar. 12, 2021 (JP) 2021-005128 D

(51) **LOC (14) Cl.** **12-13**

(52) **U.S. Cl.**
USPC **D12/14**

(58) **Field of Classification Search**
USPC D12/1, 3, 12-16, 82, 86, 96, 99, 107;
D15/10, 14, 15, 22-26, 33
CPC A01B 51/026; B62D 49/02; B62D 49/00;
B62D 49/007; B62D 33/06; B62D
33/0604; B62D 33/0617; B62D 33/00;
B62D 25/10; B62D 53/021; B62D
53/025; B62D 53/00; B62D 53/02; B62D
35/00; B62D 39/00; B62D 47/00; B62D
47/003; B62D 63/02; B62D 49/085;
B62D 21/183; B60K 15/063; B60K
15/073; B60K 2015/0637; A01F 15/046;
E02F 3/40; E02F 3/30; E02F 3/32; B66F
9/07554; B60G 11/04; B60G 9/00; B60G
2200/31; B64F 1/22; B64F 1/227; B64F
1/00

See application file for complete search history.

(56) **References Cited**

U.S. PATENT DOCUMENTS

2,711,341	A *	6/1955	Mills	B62D 21/186	180/69.2
D176,040	S *	11/1955	Schafner et al.	D12/96	
D192,794	S *	5/1962	Brown	D12/1	
D227,244	S *	6/1973	Keene	D12/16	
D282,153	S *	1/1986	Wallace	D12/14	
D299,322	S *	1/1989	Page	D34/37	
D310,342	S *	9/1990	Formoso	D12/14	
D311,505	S *	10/1990	Reinhart	D12/14	
D312,227	S *	11/1990	Miyamoto	D15/15	
D325,183	S *	4/1992	Nishikawa	D15/15	
D463,326	S *	9/2002	Takeda	D12/14	
D539,701	S *	4/2007	Takeda	D12/14	
8,172,019	B2 *	5/2012	Takeda	B60K 1/00	180/65.6

(Continued)

Primary Examiner — Mark A Goodwin

(74) *Attorney, Agent, or Firm* — Sughrue Mion, PLLC

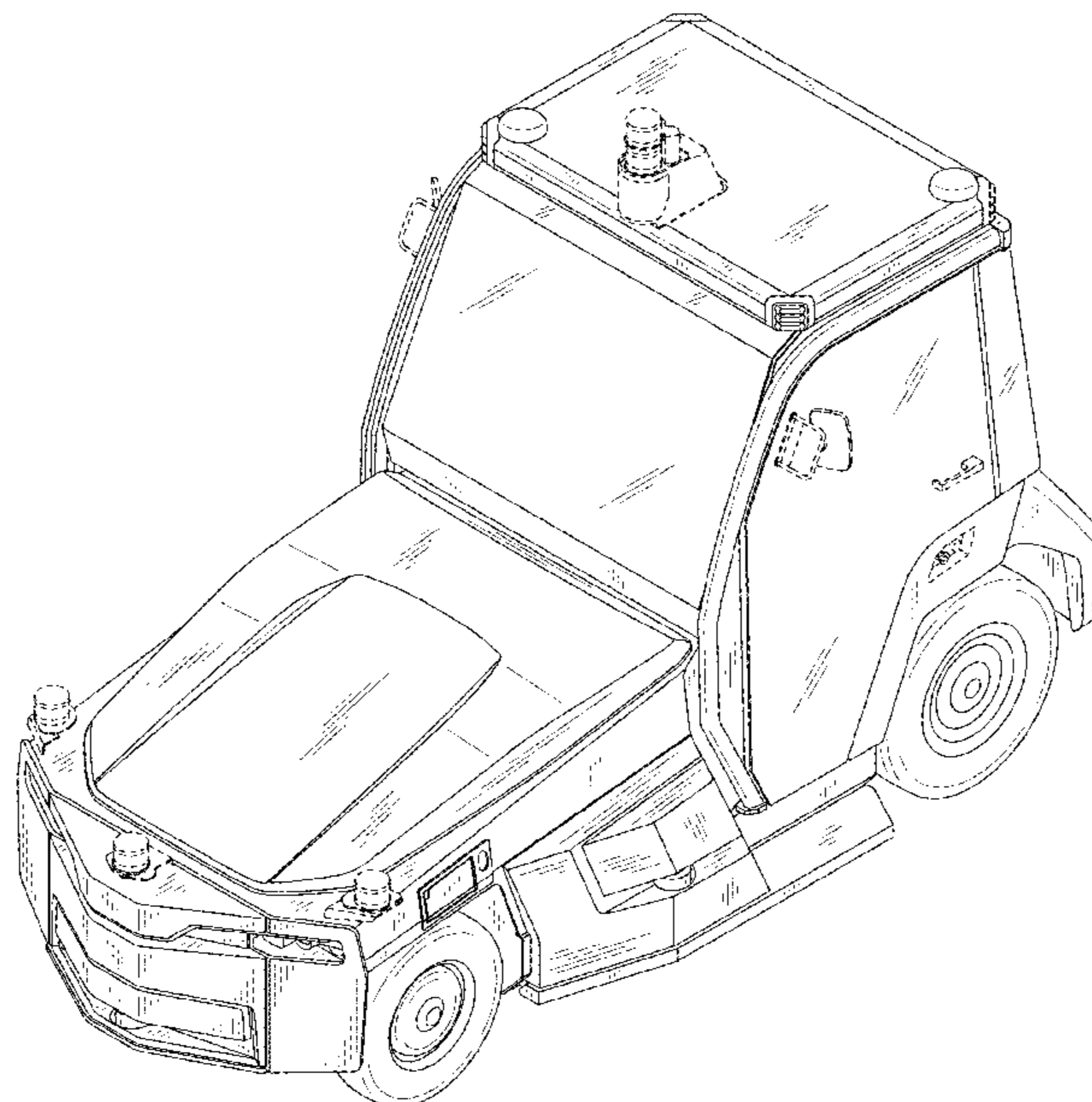
(57) **CLAIM**

The ornamental design for a tow tractor, as shown and described.

DESCRIPTION

FIG. 1 is a front, top and left side perspective view of a tow tractor showing our new design;
FIG. 2 is a rear, top and right side perspective view thereof;
FIG. 3 is a front view thereof;
FIG. 4 is a rear view thereof;
FIG. 5 is a top plan view thereof;
FIG. 6 is a right side view thereof; and,
FIG. 7 is a left side view thereof.
The broken lines illustrate portions of the tow tractor that form no part of the claimed design. The oblique shade lines shown in the drawings indicate a transparent surface. The bottom plan view is omitted since it is unornamented and forms no part of the claimed design.

1 Claim, 7 Drawing Sheets



(56)

References Cited

U.S. PATENT DOCUMENTS

8,701,812 B2 * 4/2014 Uno B62D 33/0625
296/180.1
D800,015 S * 10/2017 Lyons D12/16
D801,855 S * 11/2017 Wen D15/33
D813,092 S 3/2018 Mori
D829,129 S 9/2018 Mori
D837,688 S 1/2019 Mori
D837,689 S 1/2019 Yakushi
D897,895 S * 10/2020 Zhang D12/14
2015/0076854 A1 * 3/2015 Salamon B60J 1/025
296/96.2
2017/0029036 A1 * 2/2017 Proulx B60N 2/24

* cited by examiner

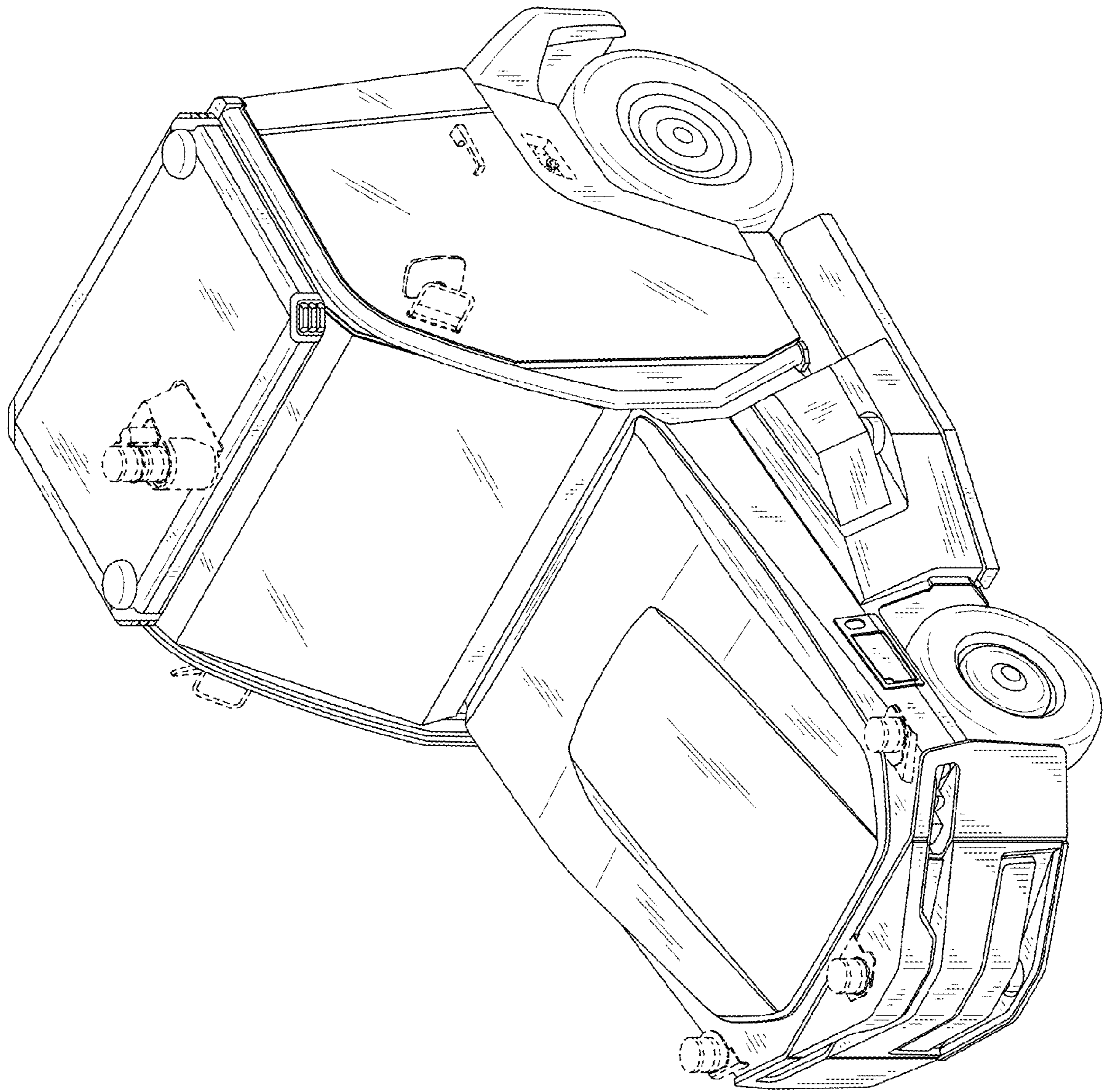


FIG.1

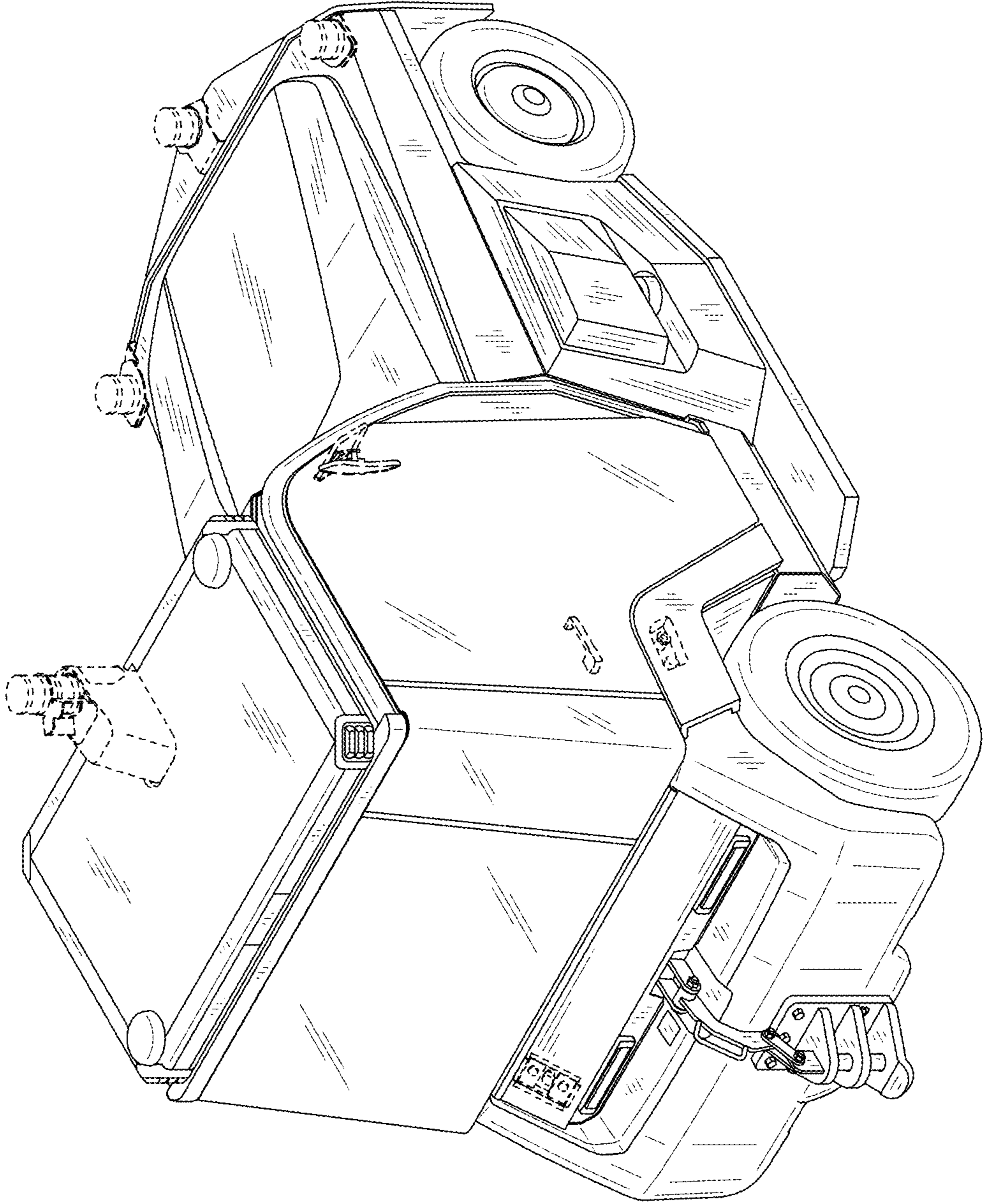


FIG.2

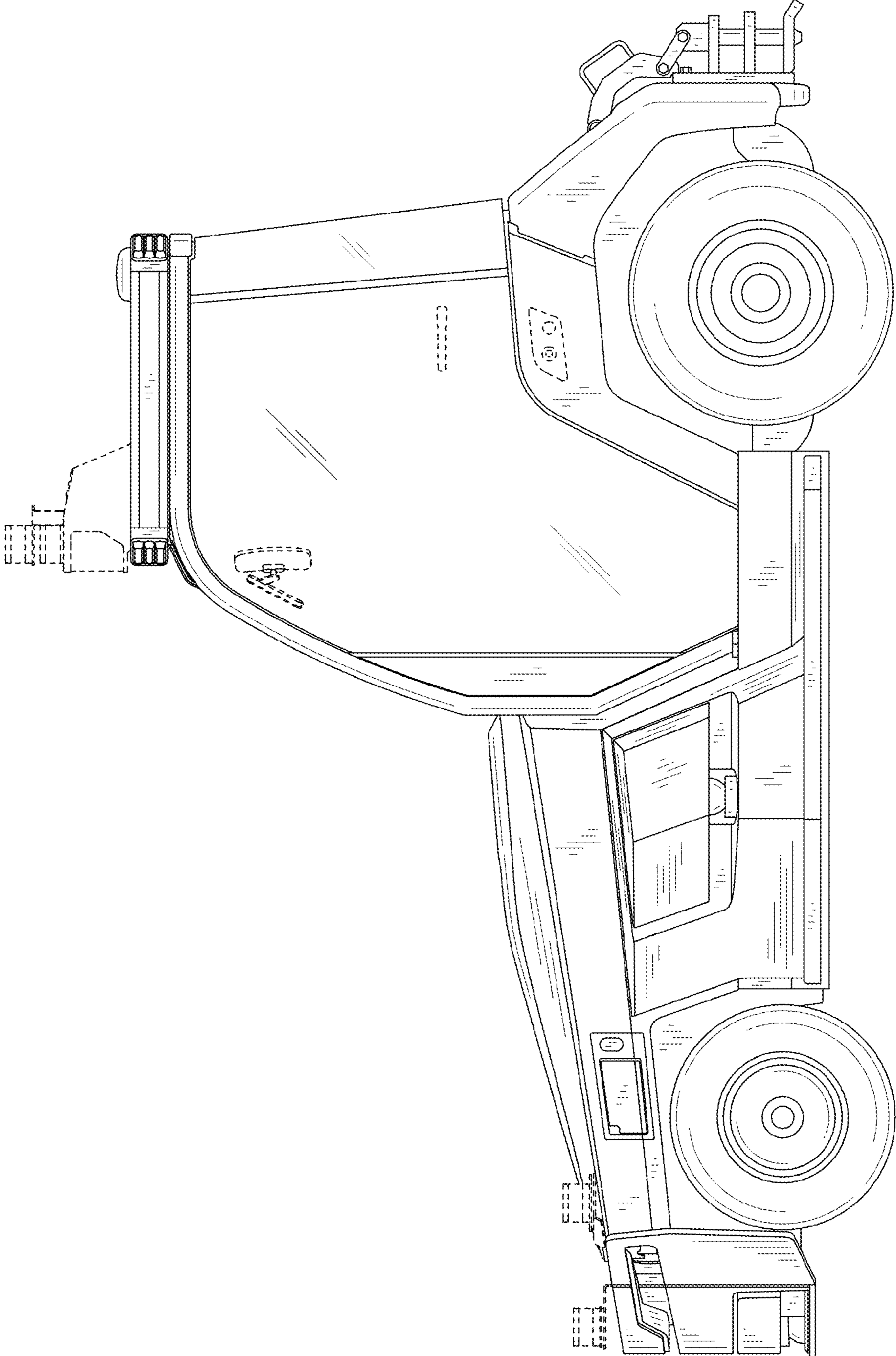


FIG.3

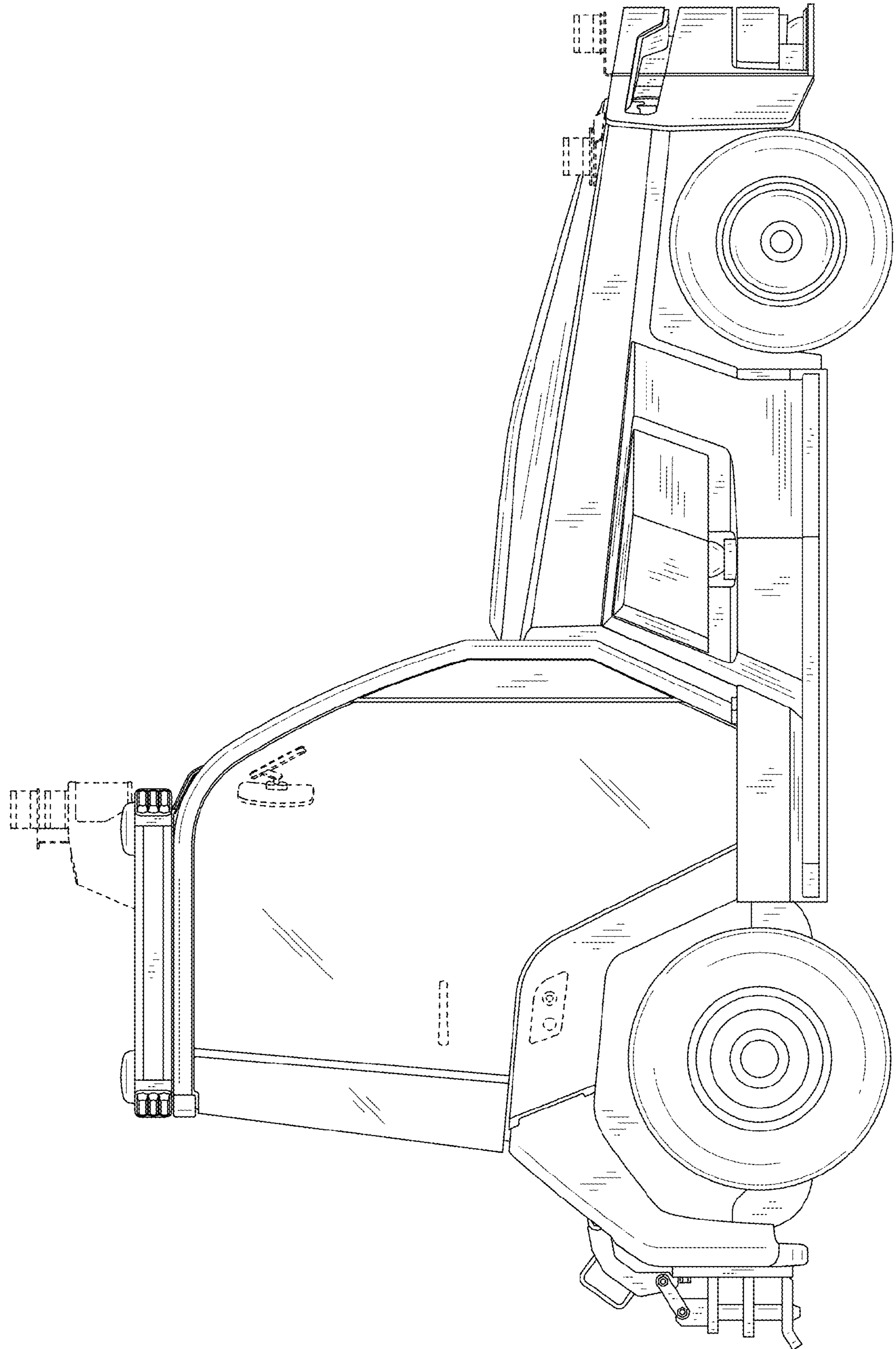


FIG.4

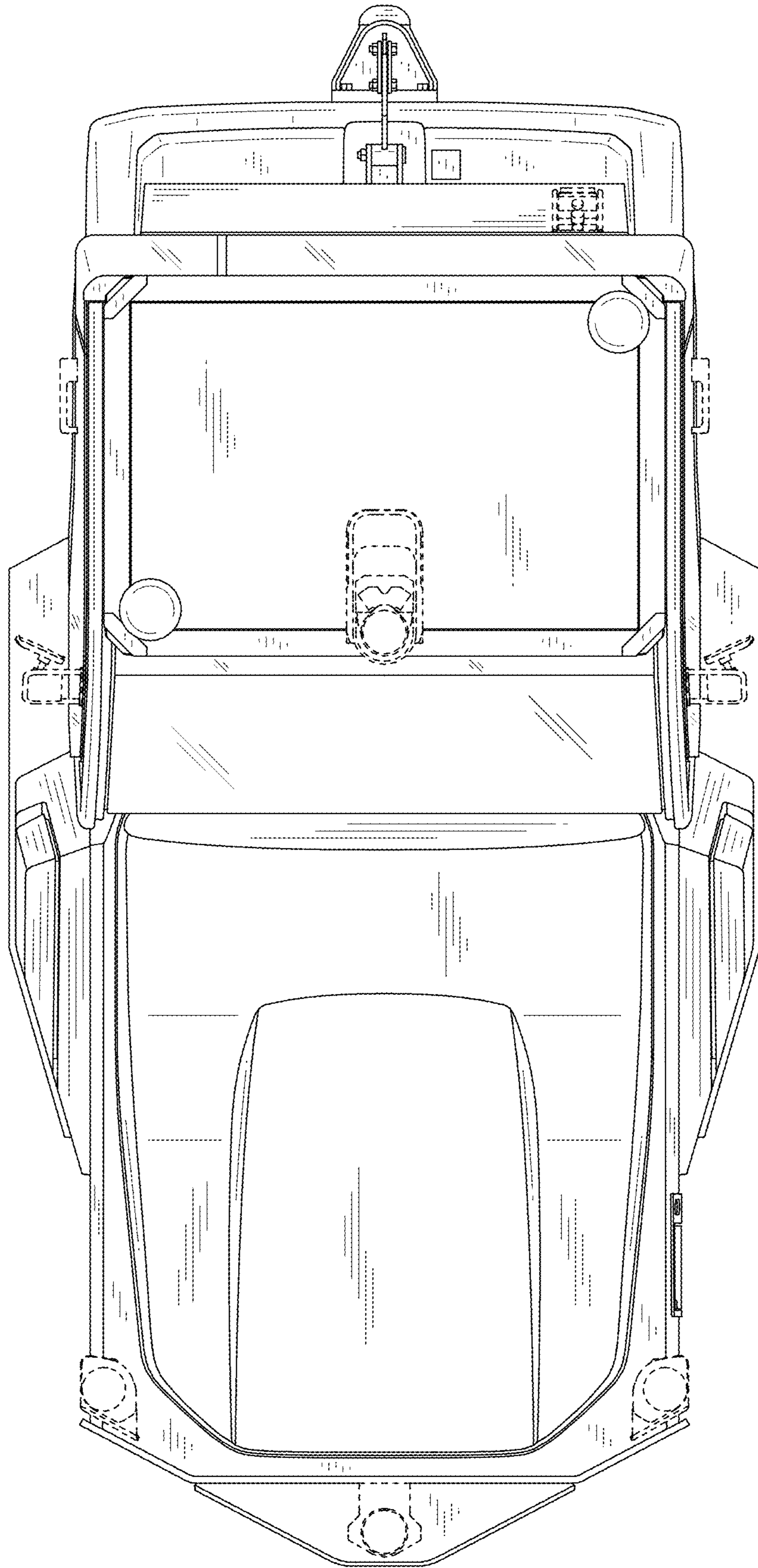


FIG.5

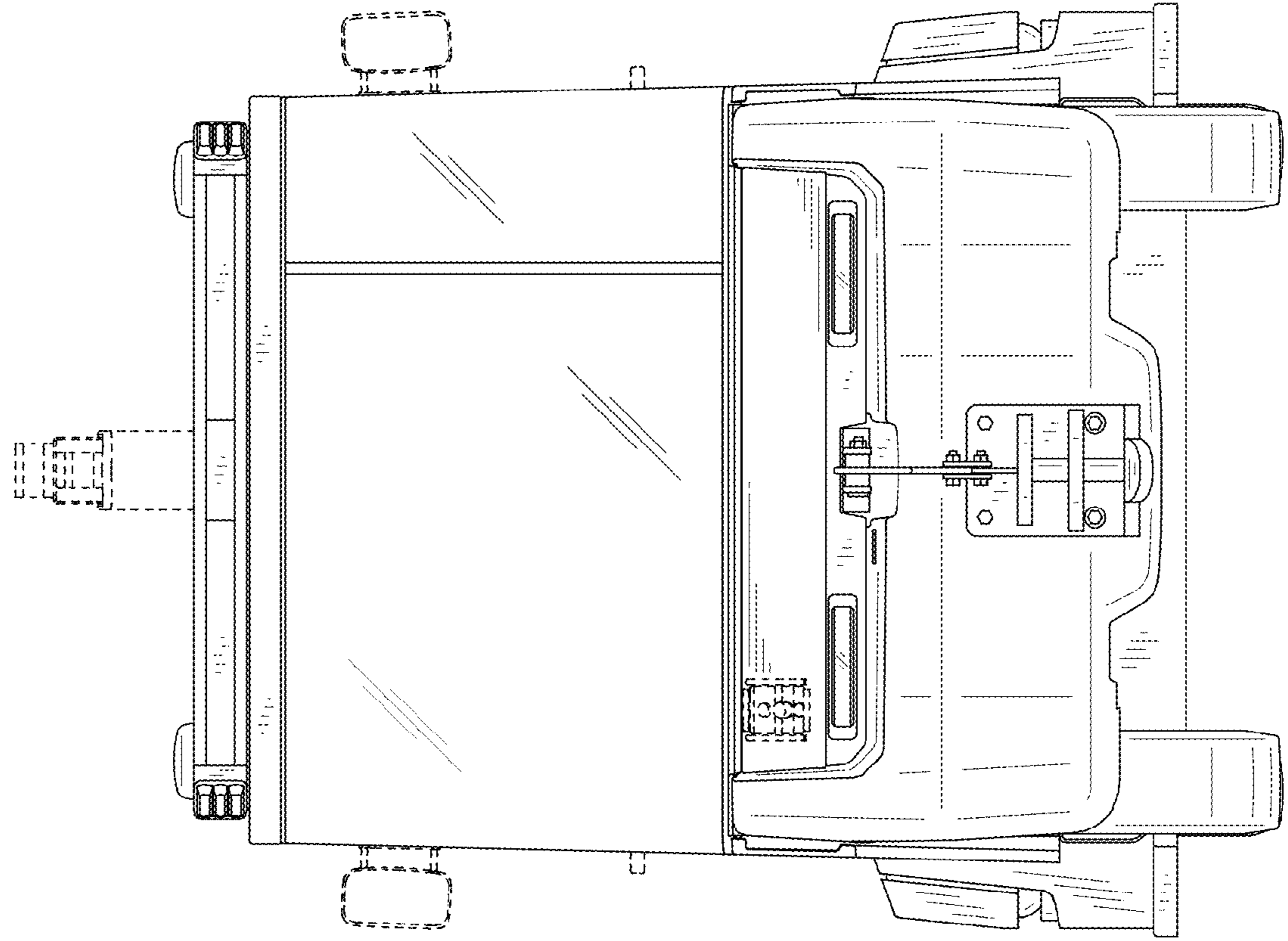


FIG.6

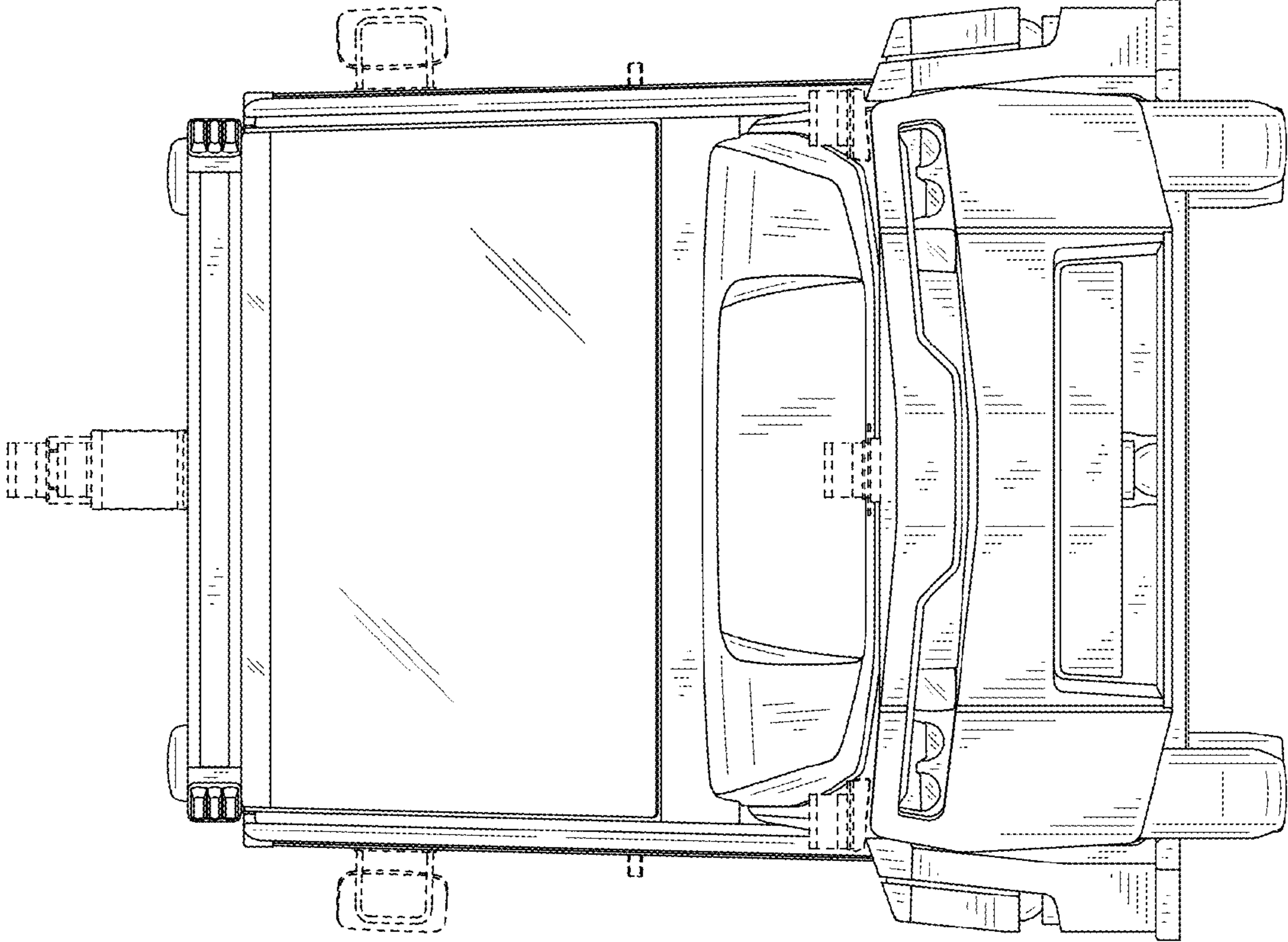


FIG.7