



US00D982479S

(12) **United States Design Patent** (10) **Patent No.:** **US D982,479 S**  
**Qu** (45) **Date of Patent:** **\*\* Apr. 4, 2023**

(54) **BUCKLE**  
(71) Applicant: **Shenzhen Fengtouniao Technology Co., Ltd., Shenzhen (CN)**  
(72) Inventor: **Weiwei Qu, Fengcheng (CN)**  
(\*\*) Term: **15 Years**  
(21) Appl. No.: **29/830,518**  
(22) Filed: **Mar. 14, 2022**  
(51) **LOC (14) Cl.** ..... **02-07**  
(52) **U.S. Cl.**  
USPC ..... **D11/200**  
(58) **Field of Classification Search**  
USPC ..... D11/200–241, 3; D14/344; D10/32  
CPC ..... A44B 11/00; A44B 11/001; A44B 11/003;  
A44B 11/005; A44B 11/006; A44B  
11/008; A44B 11/02; A44B 11/04; A44B  
11/06; A44B 11/10; A44B 11/12; A44B  
11/22; A44B 11/25; A44B 11/2503; A44B  
11/2507; A44B 17/00; A44B 17/0041;  
A44B 18/00; A44B 18/0003; A44B  
18/0007; A44B 18/0019  
See application file for complete search history.

(56) **References Cited**  
**U.S. PATENT DOCUMENTS**  
685,873 A \* 11/1901 Schmiekiecke ..... A44B 11/22  
24/176  
807,013 A \* 12/1905 Brown ..... A44B 11/10  
24/194  
959,088 A \* 5/1910 White ..... A44B 11/00  
24/316  
1,203,280 A \* 10/1916 Troop ..... A44B 11/22  
24/176  
1,303,704 A \* 5/1919 Marmorstein ..... A44B 11/10  
24/171  
1,718,274 A \* 6/1929 Carlson ..... A44B 11/02  
24/170

D134,306 S \* 11/1942 Lipari ..... D11/231  
2,728,966 A \* 1/1956 Cantil ..... A44B 11/10  
24/196  
D527,309 S \* 8/2006 Grimm ..... D11/218  
D553,363 S \* 10/2007 Chen ..... D3/318  
D553,364 S \* 10/2007 Moon ..... D3/318  
D611,873 S \* 3/2010 Wolfgang ..... D11/94  
D632,608 S \* 2/2011 Corrado ..... D2/706  
D632,609 S \* 2/2011 Corrado ..... D2/706  
D632,610 S \* 2/2011 Corrado ..... D2/706  
(Continued)

**FOREIGN PATENT DOCUMENTS**

JP D1582309 \* 7/2017

**OTHER PUBLICATIONS**

Craftmemore Rectangle Screw Rings Buckle Strap, available Jun. 21, 2017, online, site visited Oct. 20, 2022. Available online, URL: <https://www.amazon.com/CRAFTMEMORE-Rectangle-Connector-Rectangular-Shackle/dp/B092QKTRN4/> (Year: 2017).\*

(Continued)

*Primary Examiner* — W. A. Teddy Falloway  
*Assistant Examiner* — Sarah J Ault  
(74) *Attorney, Agent, or Firm* — Rumit Ranjit Kanakia

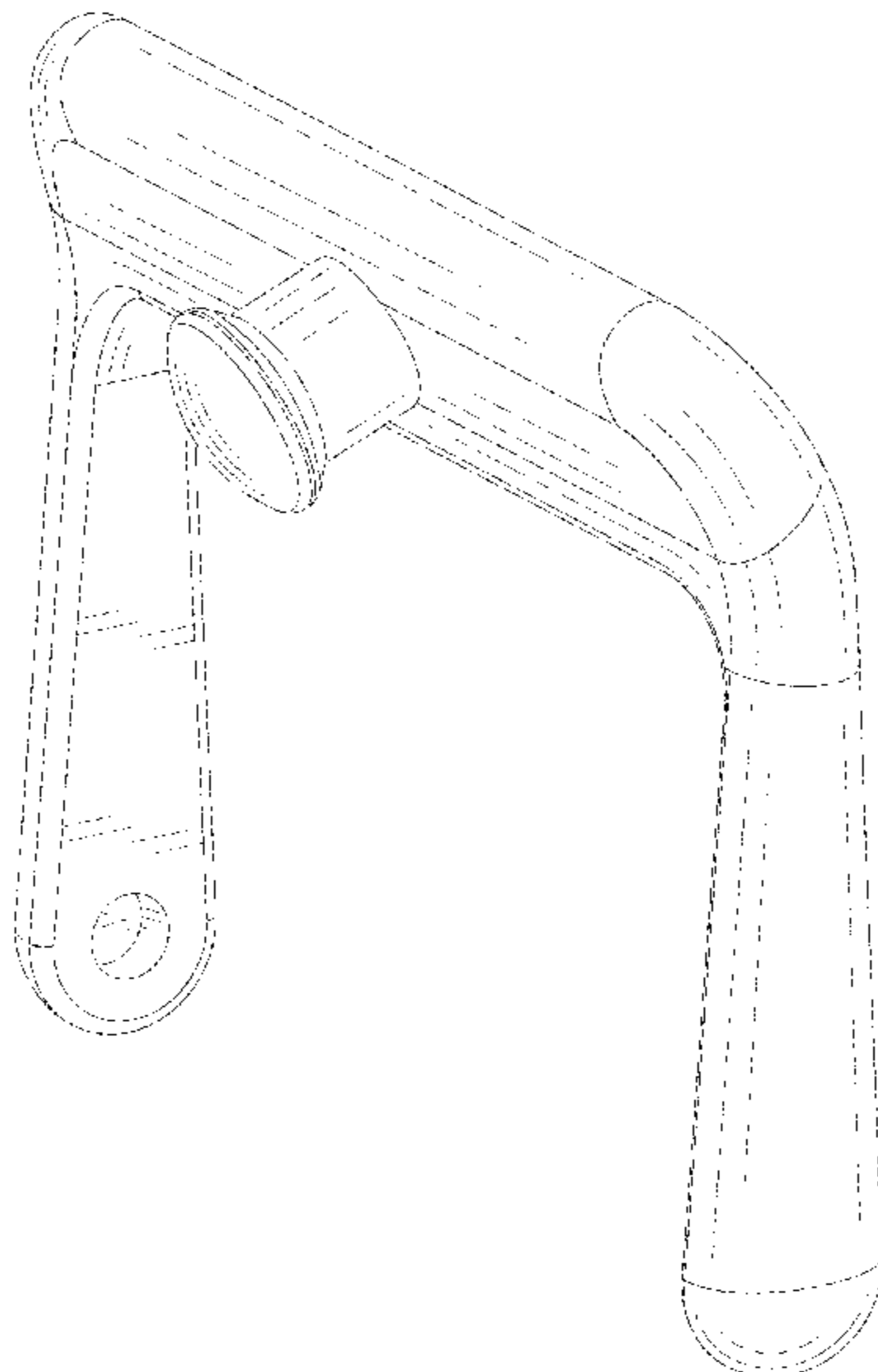
(57) **CLAIM**

The ornamental design for a buckle, as shown and described.

**DESCRIPTION**

FIG. 1 is a front perspective view of a buckle showing my new design;  
FIG. 2 is a front view thereof;  
FIG. 3 is a rear view thereof;  
FIG. 4 is a left side view thereof;  
FIG. 5 is a right side view thereof;  
FIG. 6 is a top view thereof; and,  
FIG. 7 is a bottom view thereof.

**1 Claim, 7 Drawing Sheets**



(56)

**References Cited**

U.S. PATENT DOCUMENTS

D637,519 S \* 5/2011 Coffinan ..... D11/234  
D691,808 S \* 10/2013 Wu ..... D3/318  
D712,152 S \* 9/2014 Tong ..... D8/316  
D720,254 S \* 12/2014 Hsiang ..... D11/221  
D856,846 S 8/2019 Mouquet  
D860,037 S \* 9/2019 Vandenbussche ..... D11/94  
D864,697 S 10/2019 Gnocchini  
D868,616 S \* 12/2019 Deng ..... D11/94  
D871,249 S 12/2019 Deng  
D873,708 S \* 1/2020 Paik ..... D11/221  
D879,643 S 3/2020 Deng et al.  
D881,739 S 4/2020 Deng et al.  
D885,254 S 5/2020 Jiang  
2013/0092139 A1 \* 4/2013 Summers ..... F41B 5/1469  
24/612  
2015/0040356 A1 \* 2/2015 Chang ..... A44B 11/22  
24/188  
2021/0046339 A1 \* 2/2021 Canfield ..... A62B 35/0037

OTHER PUBLICATIONS

The Most Used Watch Clasp Types, available Jul. 18, 2020, online,  
site visited Oct. 20, 2022. Available online, URL: <https://www.opswatches.com/the-most-used-watch-clasp-types/> (Year: 2020).\*

\* cited by examiner

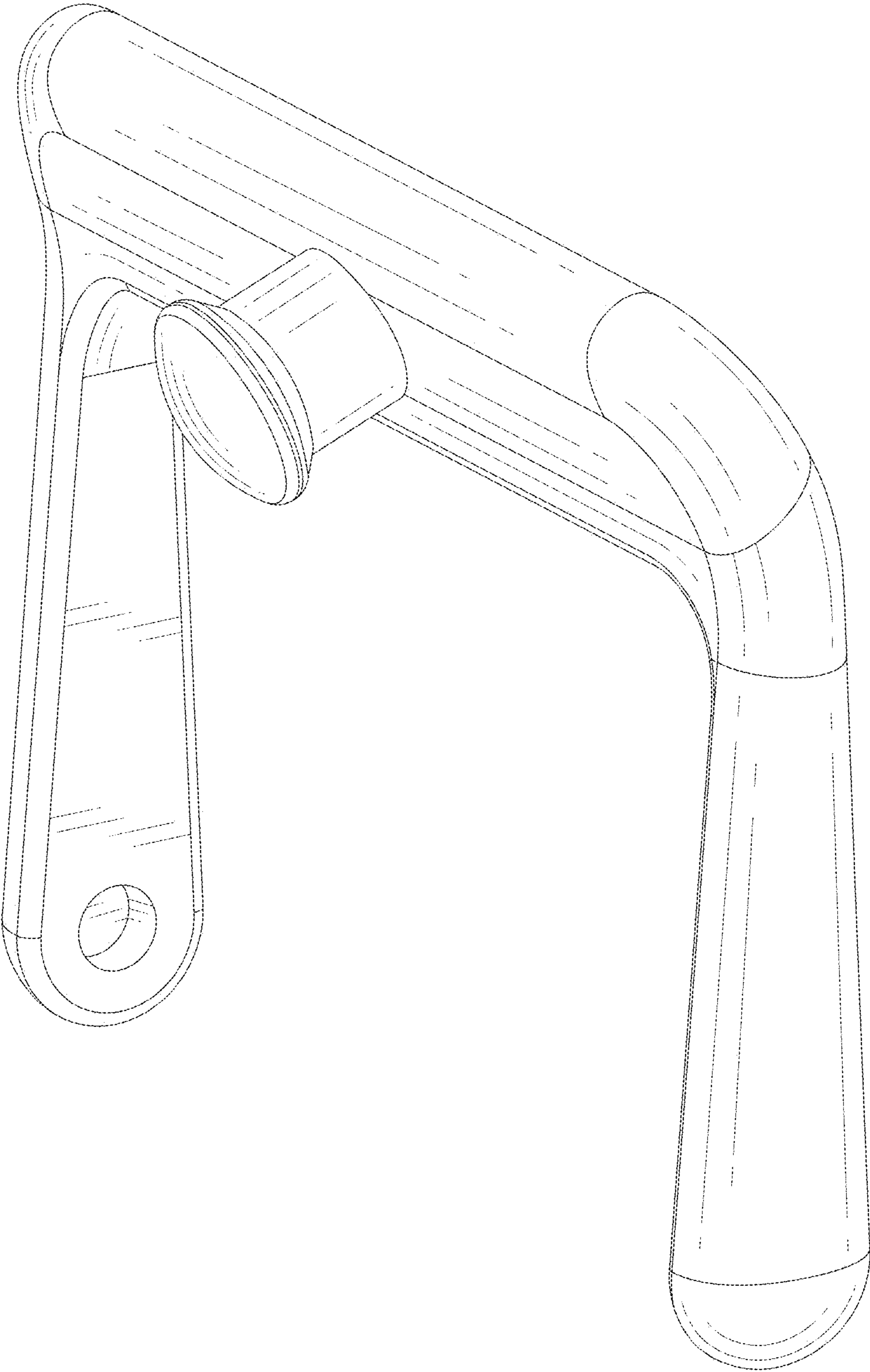


FIG.1

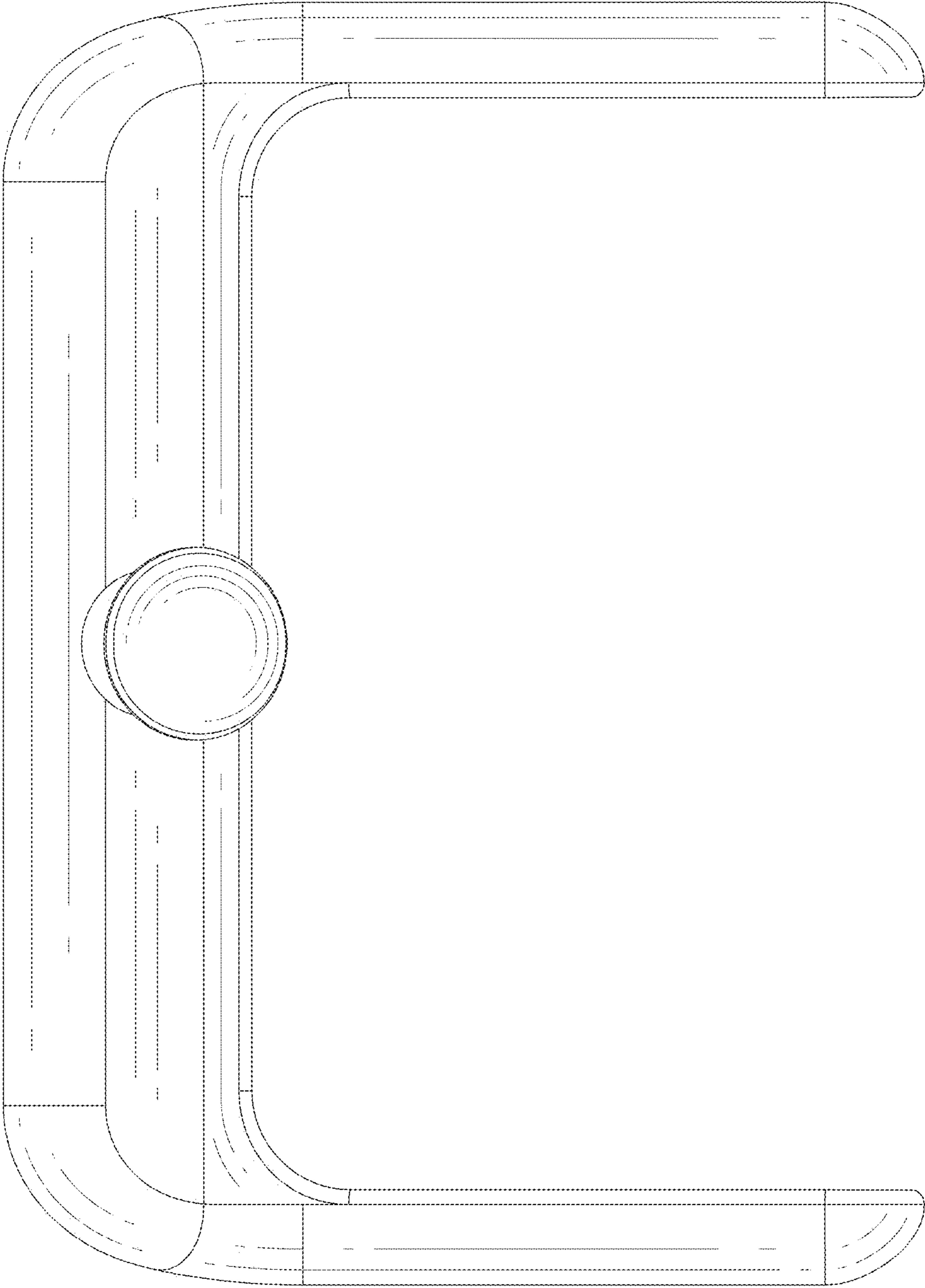


FIG.2

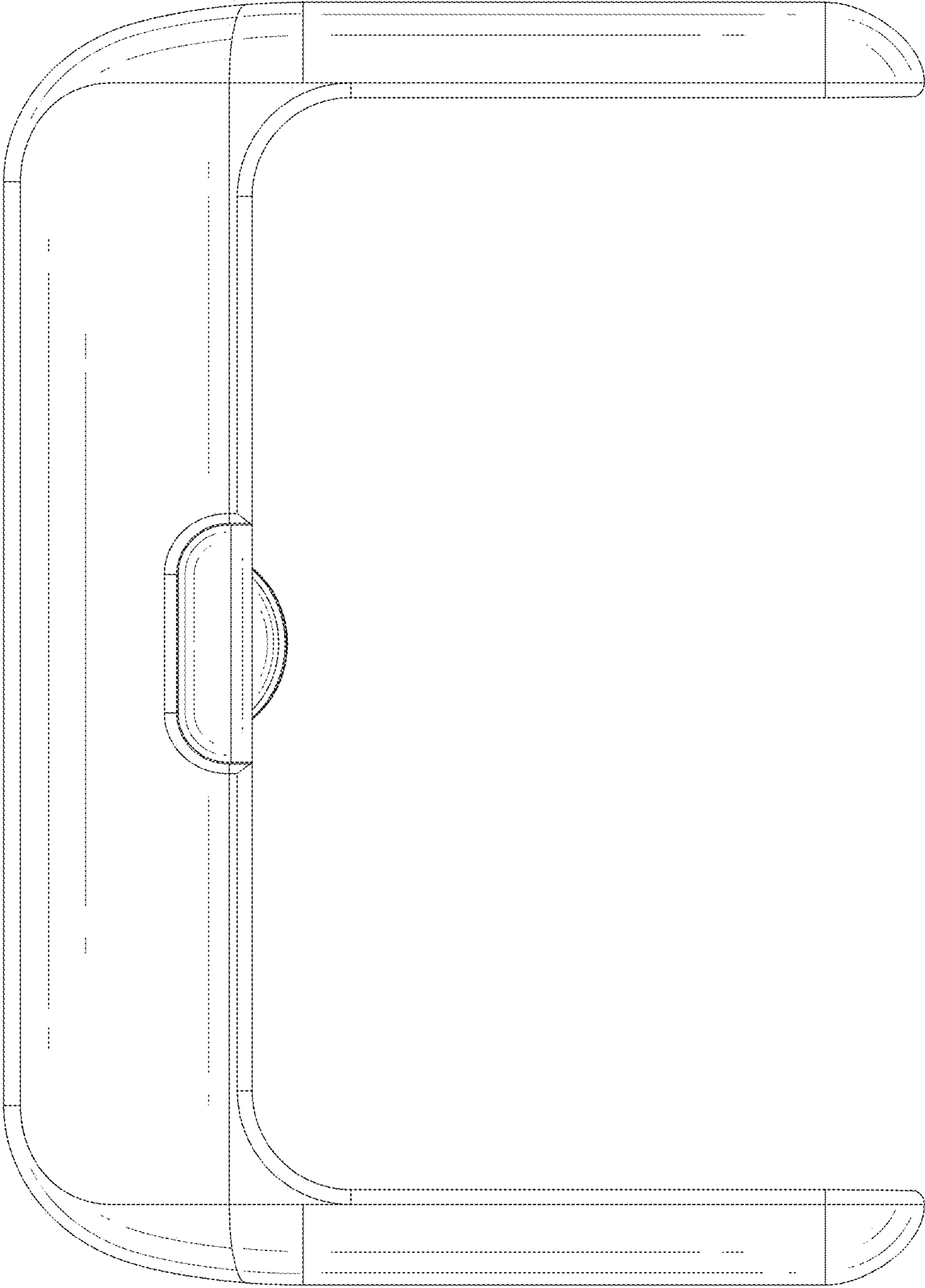
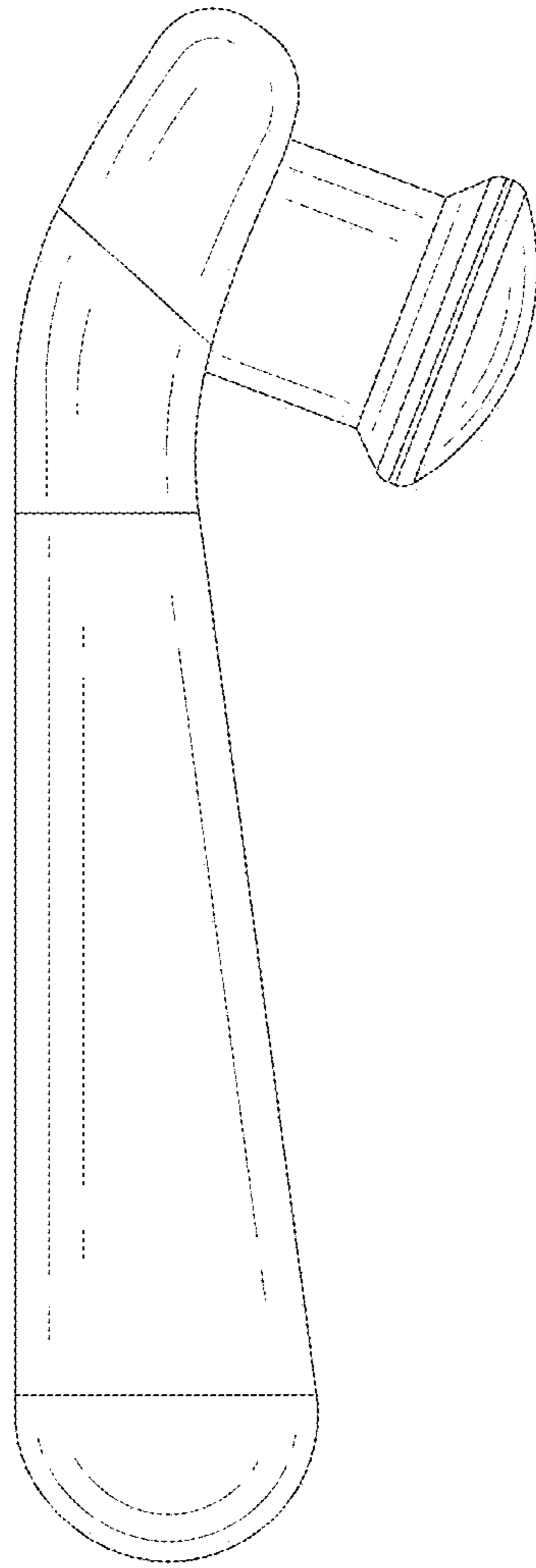
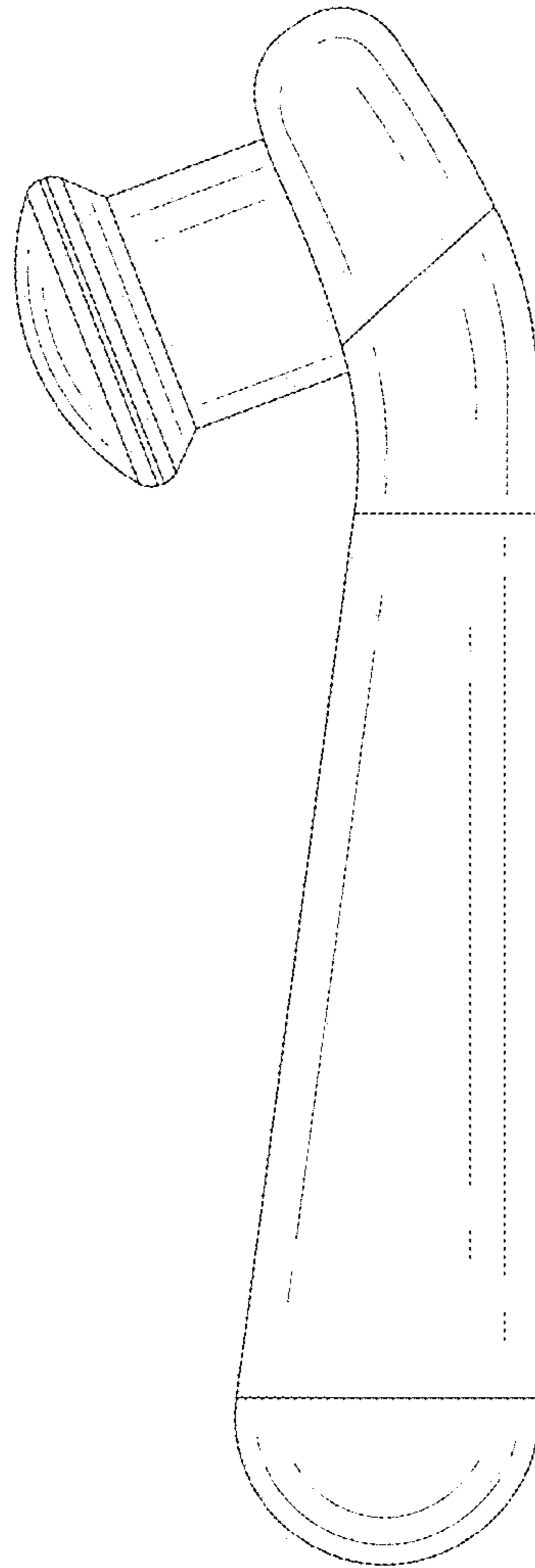


FIG.3



**FIG.4**



**FIG.5**

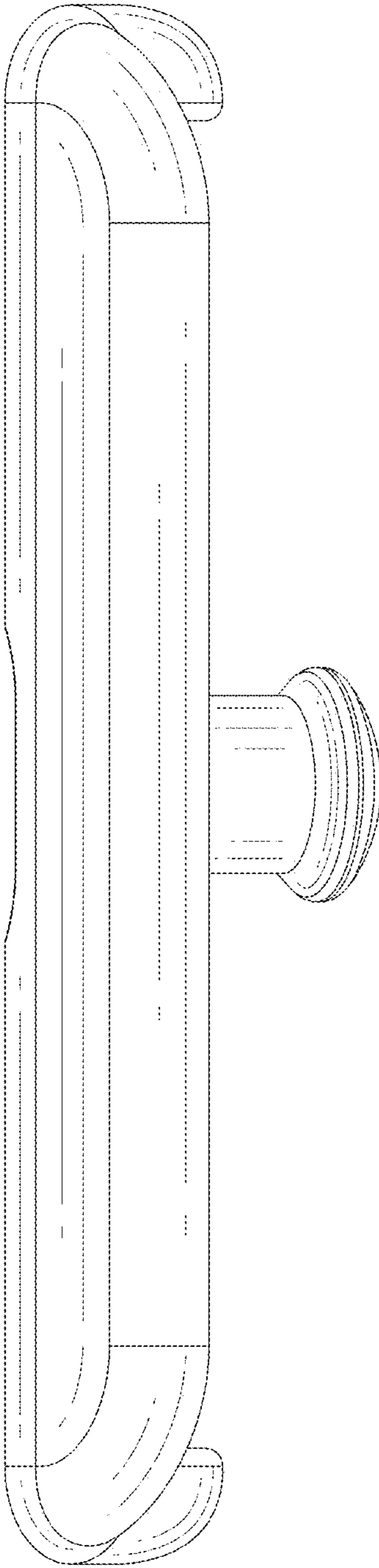


FIG.6



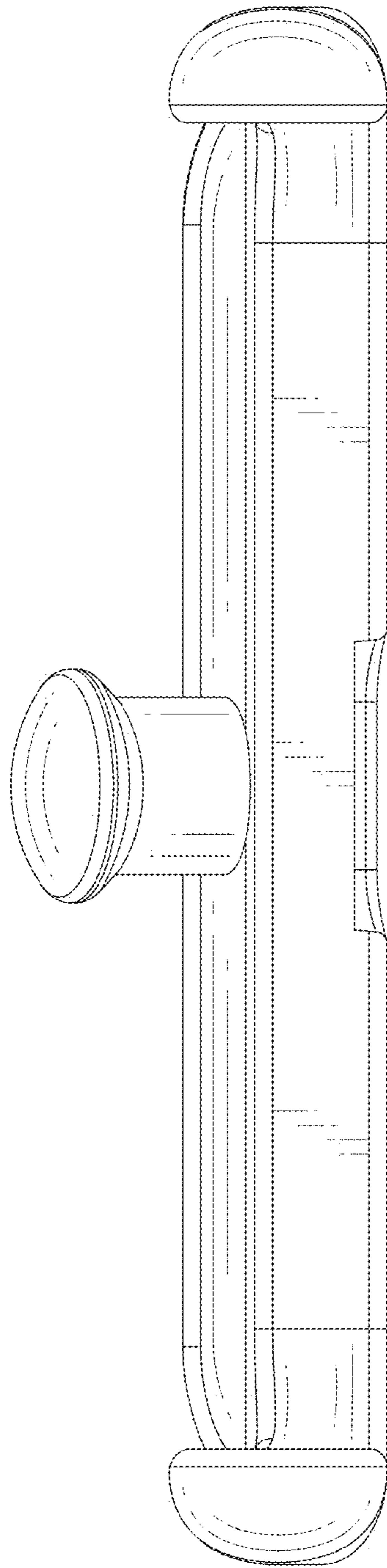


FIG.7