



US00D982478S

(12) **United States Design Patent** (10) **Patent No.:** **US D982,478 S**
Qu (45) **Date of Patent:** **** Apr. 4, 2023**

(54) **BUCKLE**
(71) Applicant: **Shenzhen Fengtouniao Technology Co., Ltd.**, Shenzhen (CN)
(72) Inventor: **Weiwei Qu**, Fengcheng (CN)
(**) Term: **15 Years**

D161,560 S * 1/1951 White D11/216
2,728,966 A * 1/1956 Cantil A44B 11/10
24/196
D527,309 S * 8/2006 Grimm D11/218
D611,873 S * 3/2010 Wolfgang D11/94
D632,608 S * 2/2011 Corrado D2/706
D632,609 S * 2/2011 Corrado D2/706

(Continued)

(21) Appl. No.: **29/830,512**
(22) Filed: **Mar. 14, 2022**
(51) **LOC (14) Cl.** **02-07**
(52) **U.S. Cl.**
USPC **D11/200**
(58) **Field of Classification Search**
USPC D11/200–241, 3; D14/344; D10/32
CPC A44B 11/00; A44B 11/001; A44B 11/003;
A44B 11/005; A44B 11/006; A44B
11/008; A44B 11/02; A44B 11/04; A44B
11/06; A44B 11/10; A44B 11/12; A44B
11/22; A44B 11/25; A44B 11/2503; A44B
11/2507; A44B 17/00; A44B 17/0041;
A44B 18/00; A44B 18/0003; A44B
18/0007; A44B 18/0019
See application file for complete search history.

FOREIGN PATENT DOCUMENTS

CN 302807863 * 4/2014
CN 306729119 * 8/2021

OTHER PUBLICATIONS

Steel Deployment D Buckle Watch Band Strap, available Nov. 23, 2017, online, site visited Oct. 20, 2022. Available online, URL: <https://www.amazon.com/Richie-Deployment-Buckle-Cartier-straps/dp/B077QGKM36> (Year: 2017).*

(Continued)

Primary Examiner — W. A. Teddy Falloway
Assistant Examiner — Sarah J Ault
(74) *Attorney, Agent, or Firm* — Rumit Ranjit Kanakia

(57) **CLAIM**

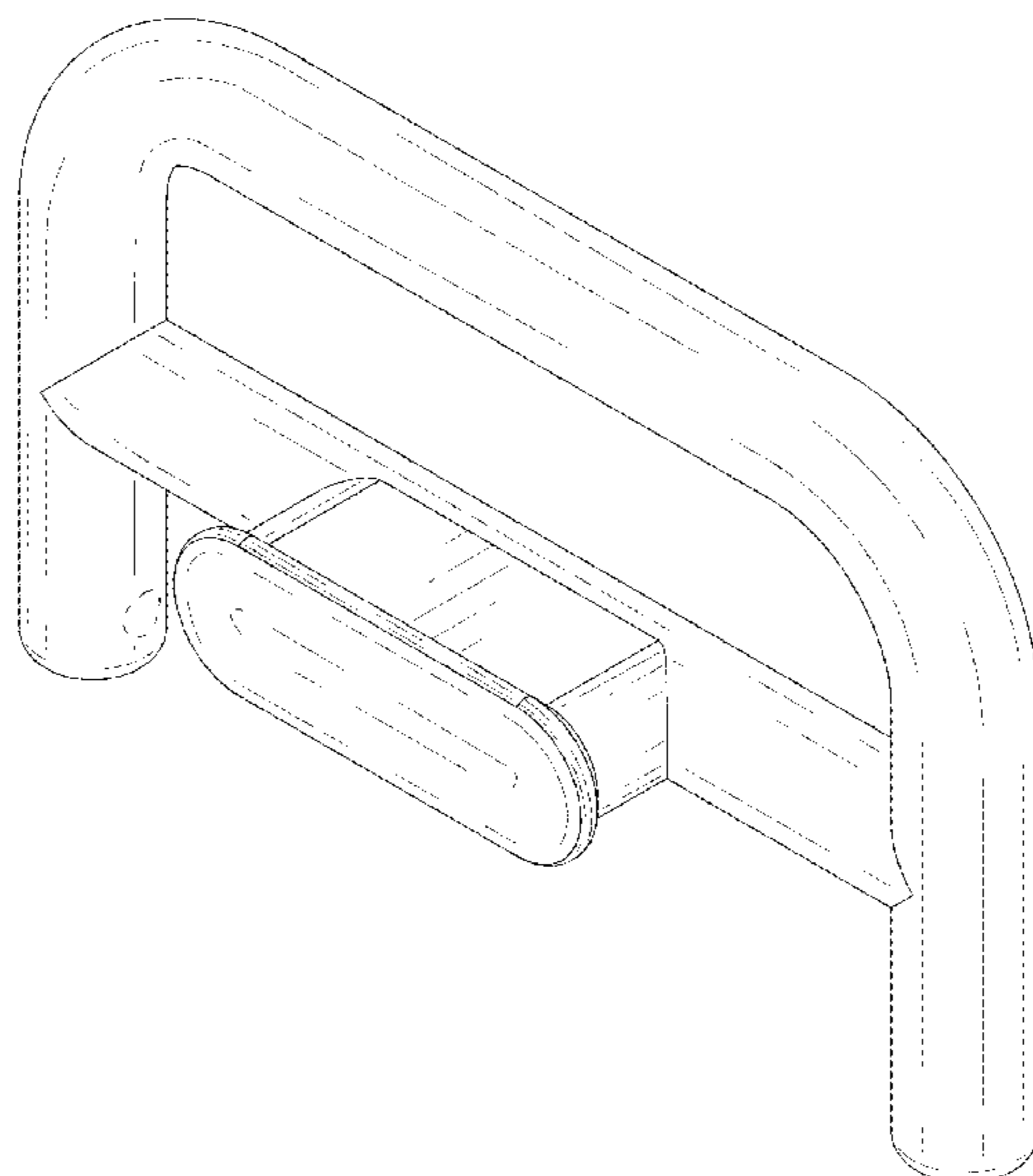
The ornamental design for a buckle, as shown and described.

DESCRIPTION

FIG. 1 is a front perspective view of a buckle showing my new design;
FIG. 2 is a front view thereof;
FIG. 3 is a back view thereof;
FIG. 4 is a left-side view thereof;
FIG. 5 is a right-side view thereof;
FIG. 6 is a top view thereof; and,
FIG. 7 is a bottom view thereof.
The broken lines in the drawings depict portions of the buckle that form no part of the claimed design.

1 Claim, 5 Drawing Sheets

(56) **References Cited**
U.S. PATENT DOCUMENTS
685,873 A * 11/1901 Schmidicke A44B 11/22
24/176
807,013 A * 12/1905 Brown A44B 11/10
24/194
1,203,280 A * 10/1916 Troop A44B 11/22
24/176
1,303,704 A * 5/1919 Marmorstein A44B 11/10
24/171
1,718,274 A * 6/1929 Carlson A44B 11/02
24/170
2,285,714 A * 6/1942 Hirsh A44B 11/04
24/198
D134,306 S * 11/1942 Lipari D11/231



(56)

References Cited

U.S. PATENT DOCUMENTS

D632,610 S * 2/2011 Corrado D2/706
D637,519 S * 5/2011 Coffman D11/234
D654,397 S * 2/2012 Wong D11/218
D673,880 S * 1/2013 Boothby D11/218
D712,152 S * 9/2014 Tong D8/316
D720,254 S * 12/2014 Hsiang D11/221
D856,846 S 8/2019 Mouquet
D860,037 S * 9/2019 Vandenbussche D11/94
D864,697 S 10/2019 Gnocchini
D871,249 S 12/2019 Deng
D873,708 S * 1/2020 Paik D11/221
D879,643 S 3/2020 Deng et al.
D881,739 S 4/2020 Deng et al.
D885,254 S 5/2020 Jiang
2013/0092139 A1 * 4/2013 Summers F41B 5/1469
24/612
2015/0040356 A1 * 2/2015 Chang A44B 11/22
24/188
2020/0154833 A1 * 5/2020 Bergman A44B 11/04
2021/0046339 A1 * 2/2021 Canfield A62B 35/0037

OTHER PUBLICATIONS

Craftmore Rectangle Screw Rings Buckle Strap, available Jun. 21, 2017, online, site visited Oct. 20, 2022. Available online, URL: <https://www.amazon.com/CRAFTMEMORE-Rectangle-Connector-Rectangular-Shackle/dp/B092QKTRN4/> (Year: 2017).*

* cited by examiner

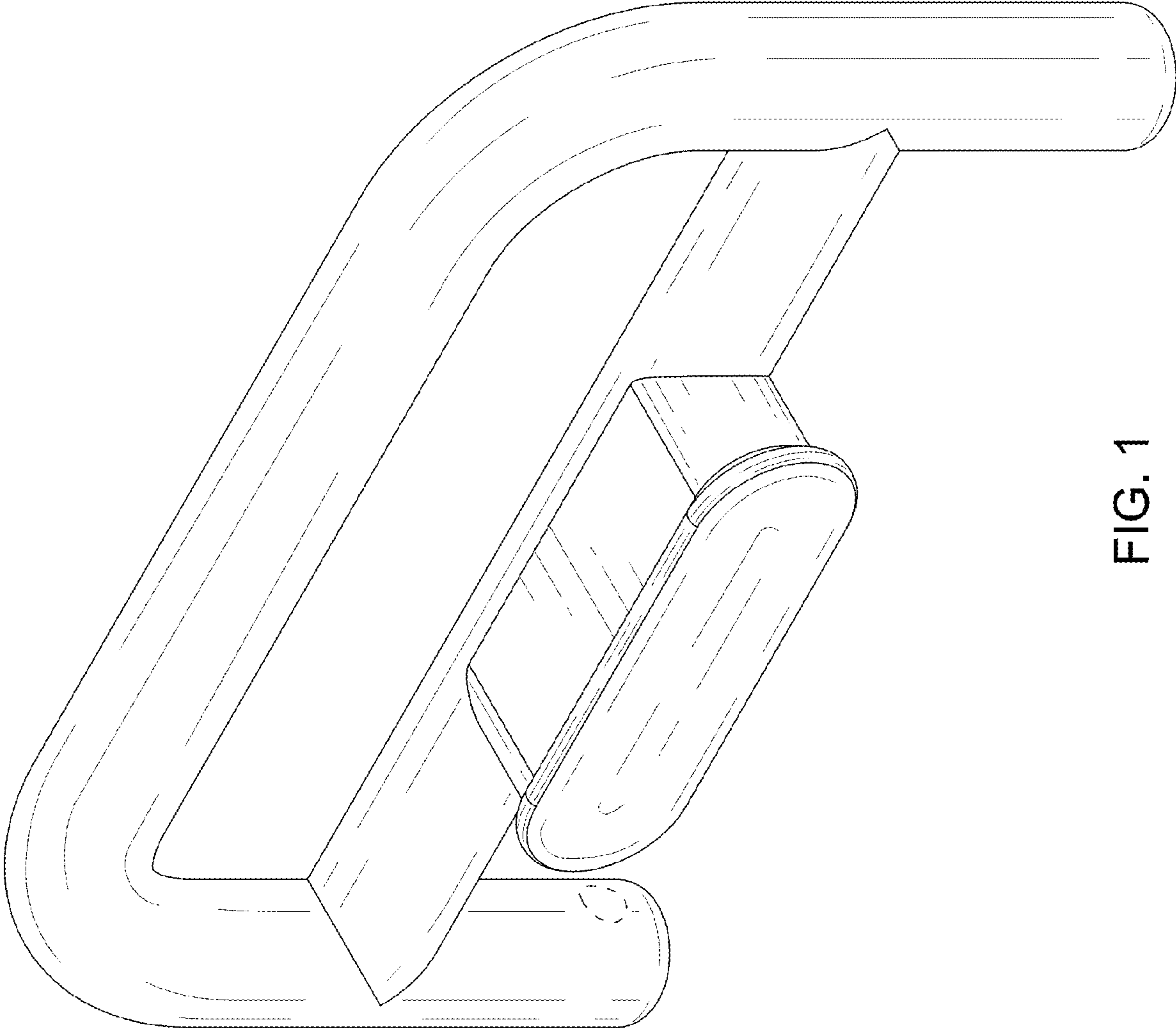


FIG. 1

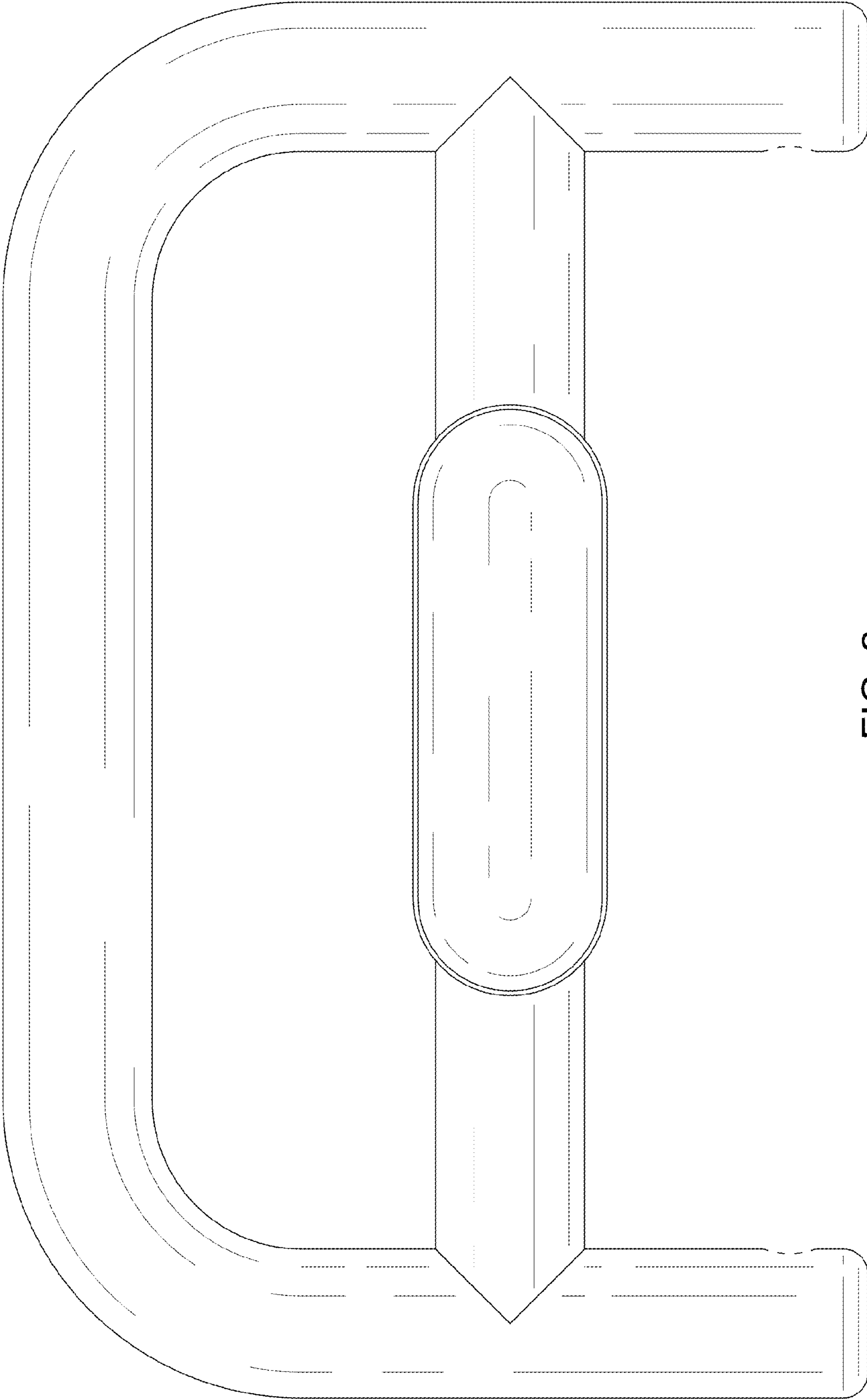


FIG. 2

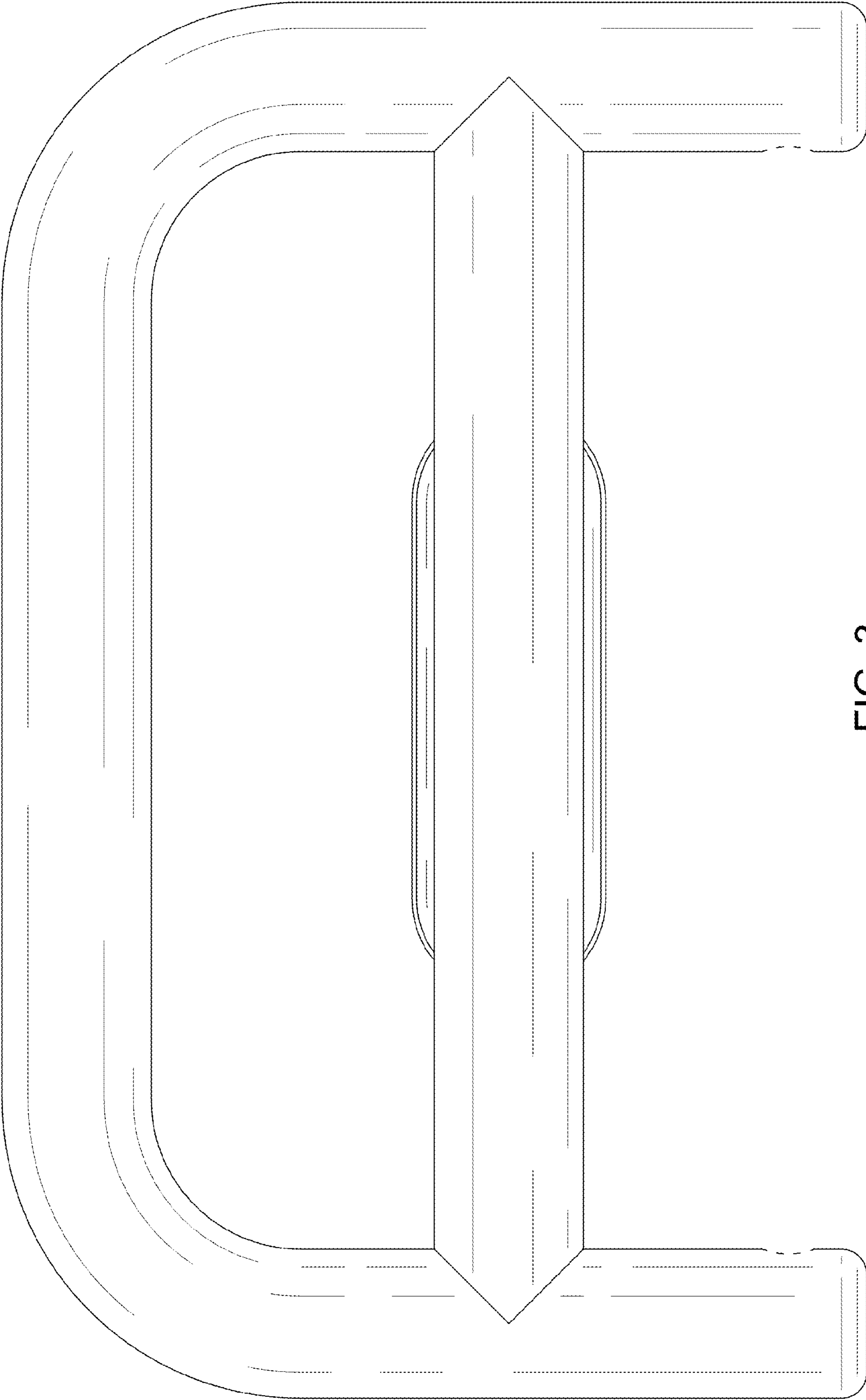


FIG. 3

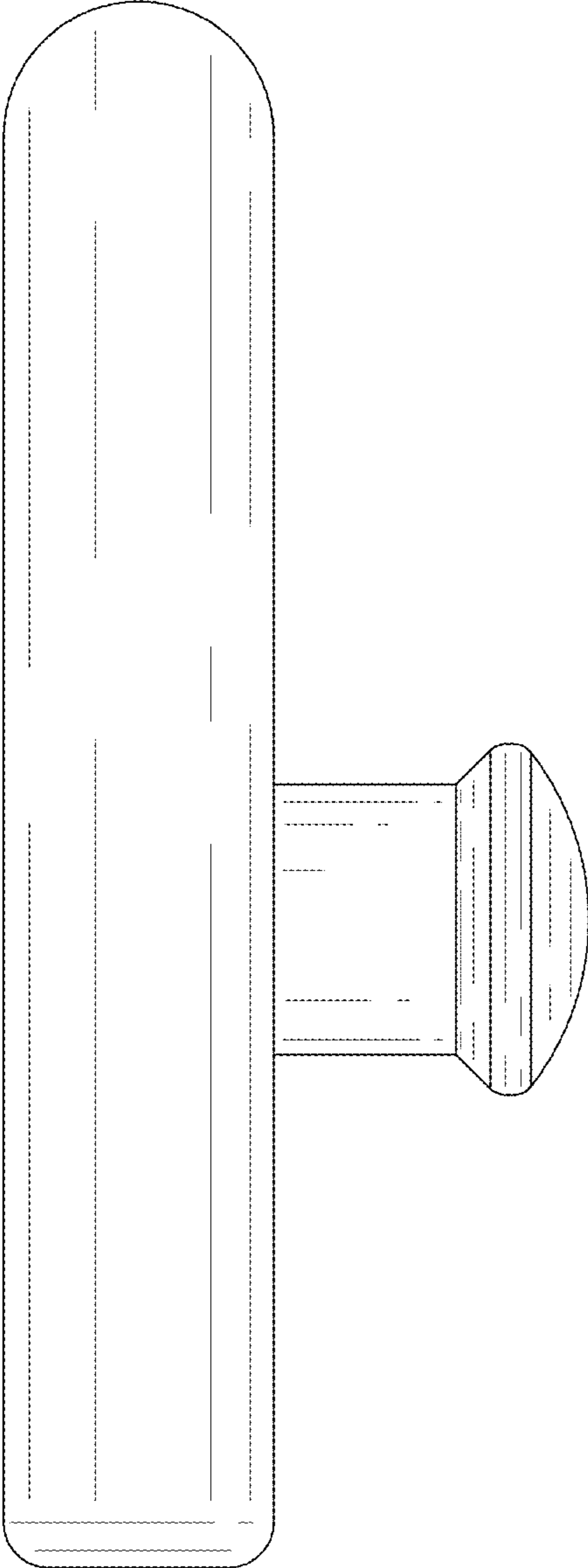


FIG. 4

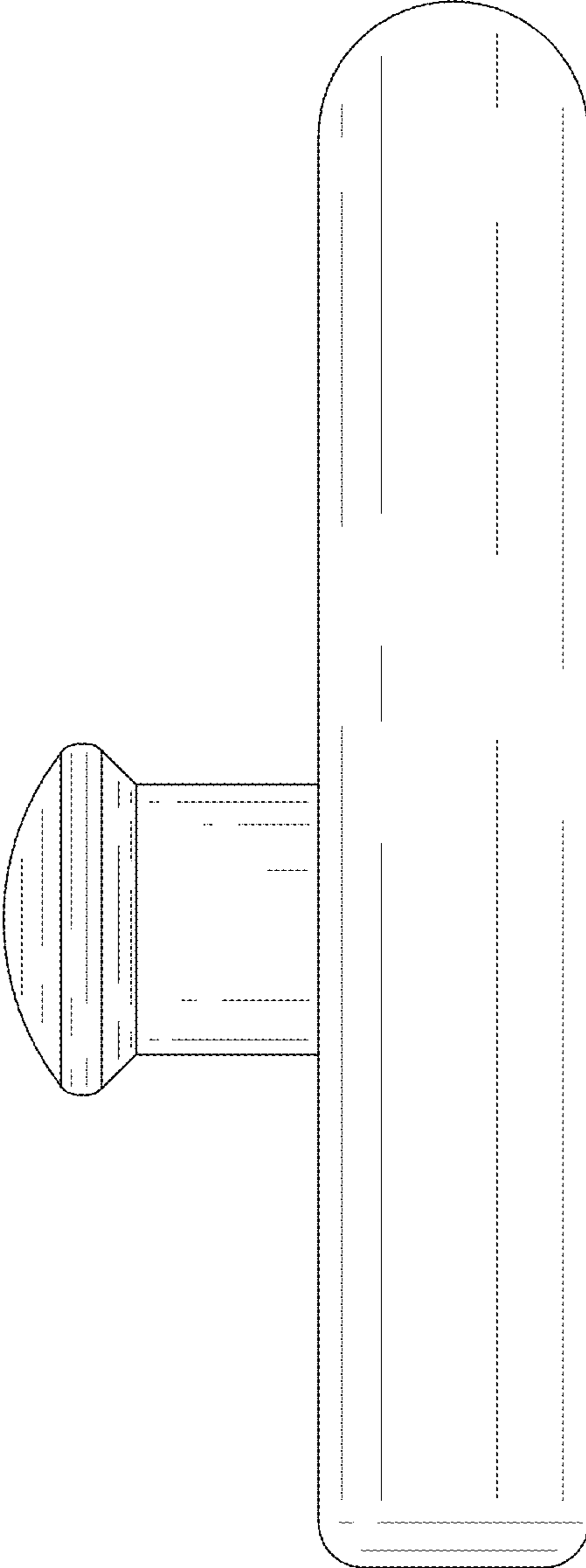


FIG. 5

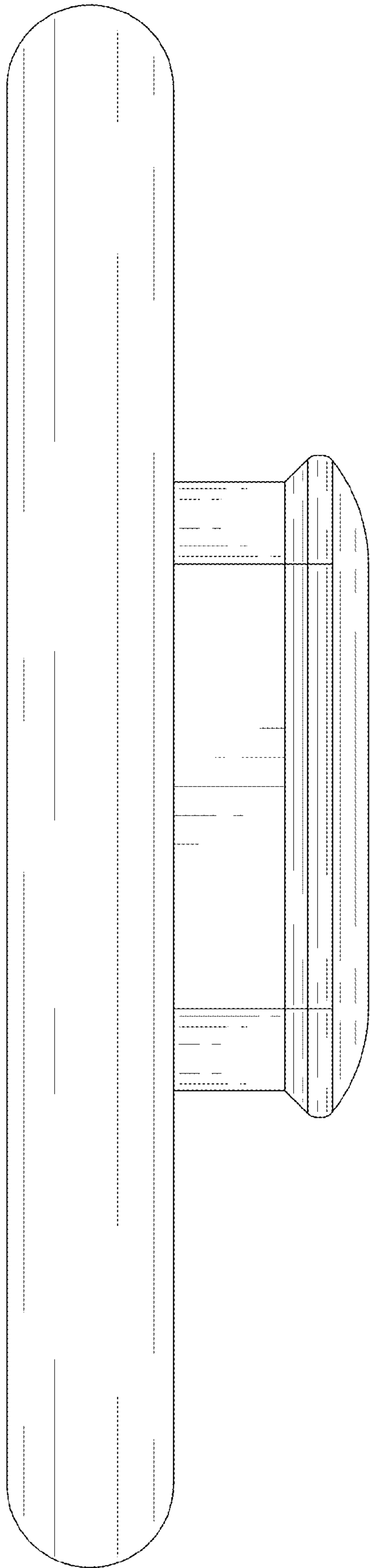


FIG. 6

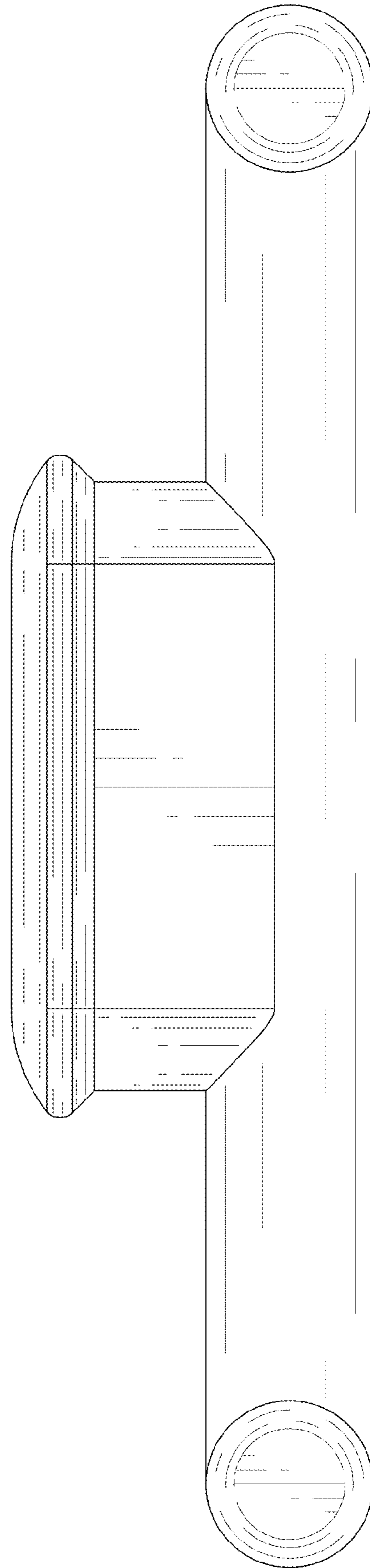


FIG. 7