



US00D982477S

(12) **United States Design Patent**  
**Aharoni**

(10) **Patent No.:** **US D982,477 S**  
(45) **Date of Patent:** **\*\* Apr. 4, 2023**

(54) **PLANT POT LINER**  
(71) Applicant: **Mixtiles Ltd.**, Tel Aviv (IL)  
(72) Inventor: **Lior Aharoni**, Tel Aviv (IL)  
(73) Assignee: **Mixtiles Ltd.**, Tel Aviv (IL)  
(\*\*) Term: **15 Years**  
(21) Appl. No.: **35/512,978**  
(22) Filed: **Sep. 9, 2021**

D288,282 S \* 2/1987 Sheets ..... D8/373  
D291,667 S \* 9/1987 Wouters ..... D23/208  
D296,760 S \* 7/1988 McGrath ..... 248/312.1  
5,020,274 A \* 6/1991 Wong ..... A01G 9/024  
47/67  
5,074,504 A \* 12/1991 Minnick ..... A47G 7/044  
248/312.1  
5,199,678 A \* 4/1993 Luebke ..... A47C 7/62  
248/205.2  
5,395,080 A \* 3/1995 Smith ..... A47G 7/045  
248/312.1  
D359,888 S \* 7/1995 Bayly ..... D20/26  
5,873,555 A \* 2/1999 Crace ..... A47G 7/044  
248/312.1

(80) **Hague Agreement Data**  
Int. Filing Date: **Sep. 9, 2021**  
Int. Reg. No.: **DM/217283**  
Int. Reg. Date: **Sep. 9, 2021**  
Int. Reg. Pub. Date: **Nov. 19, 2021**

(Continued)  
*Primary Examiner* — Richard E Chilcot  
(74) *Attorney, Agent, or Firm* — Dorsey & Whitney LLP

(30) **Foreign Application Priority Data**

Mar. 11, 2021 (EM) ..... 008460893-0001  
Mar. 11, 2021 (EM) ..... 008460893-0002  
Mar. 11, 2021 (EM) ..... 008460893-0003  
Mar. 11, 2021 (EM) ..... 008460893-0004  
Mar. 11, 2021 (EM) ..... 008460893-0005

(57) **CLAIM**

The ornamental design for plant pot liners and parts thereof, as shown and described.

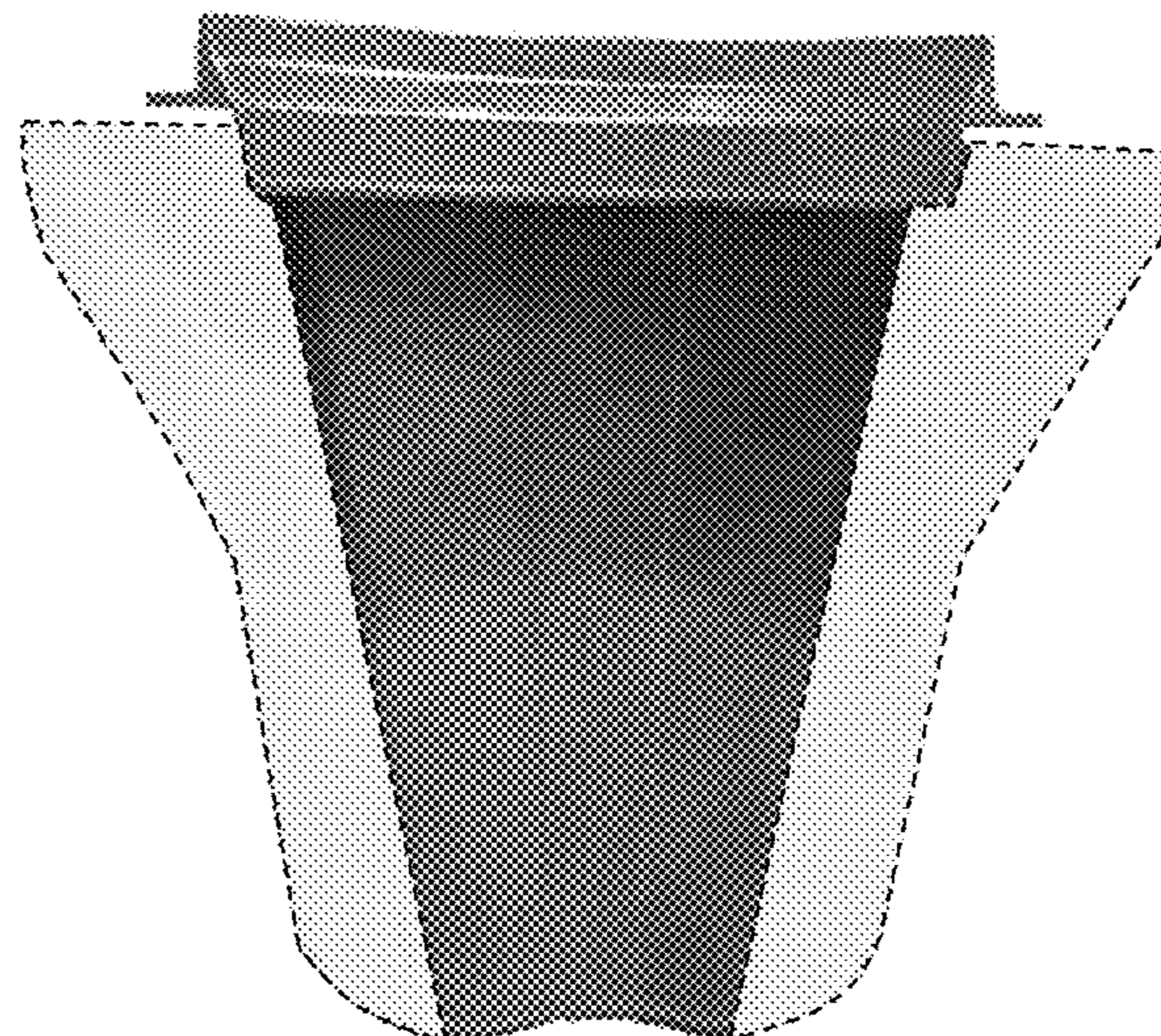
(51) **LOC (14) Cl.** ..... **11-02**  
(52) **U.S. Cl.**  
USPC ..... **D11/154**  
CPC ..... **A01G 9/024** (2013.01)  
(58) **Field of Classification Search**  
USPC ..... D11/143–149, 151–156, 164; D8/381,  
D8/373, 363, 356, 355, 354; D6/324,  
D6/572; 248/250, 242, 235, 221.12  
CPC ..... A01G 9/024; A47G 7/047  
See application file for complete search history.

**DESCRIPTION**

2. Plant pot liner  
2.1 is a front elevational view of a plant pot liner, according to a new design;  
2.2 is a right elevational view of the plant pot liner shown in 2.1;  
2.3 is a back elevational view of the plant pot liner shown in 2.1;  
2.4 is a top plan view of the plant pot liner shown in 2.1;  
2.5 is a perspective view of the plant pot liner shown in 2.1; and  
2.6 is a bottom plan view of the plant pot liner shown in 2.1. The left side views of the designs are omitted because they are mirror views of their respective left side views; the parts colored in semi transparent grey color and delineated with dashed lines are not part of the claimed designs; the texture of the articles as shown in the representations is not part of the claimed designs.

(56) **References Cited**  
U.S. PATENT DOCUMENTS  
D257,529 S \* 11/1980 Raap ..... 47/79  
4,235,407 A \* 11/1980 Haas ..... A47G 7/047  
248/318

**1 Claim, 6 Drawing Sheets**



(56)

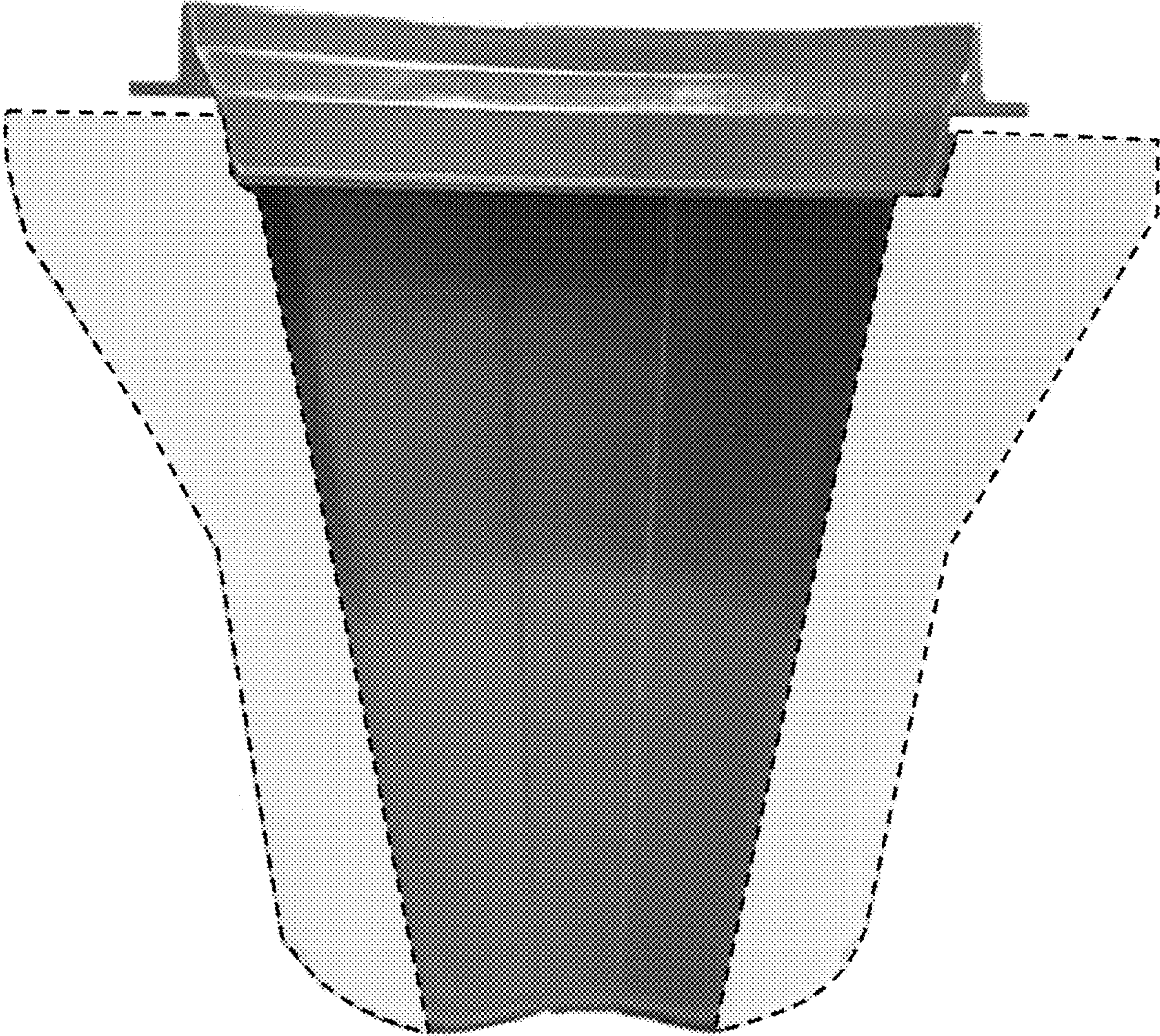
**References Cited**

U.S. PATENT DOCUMENTS

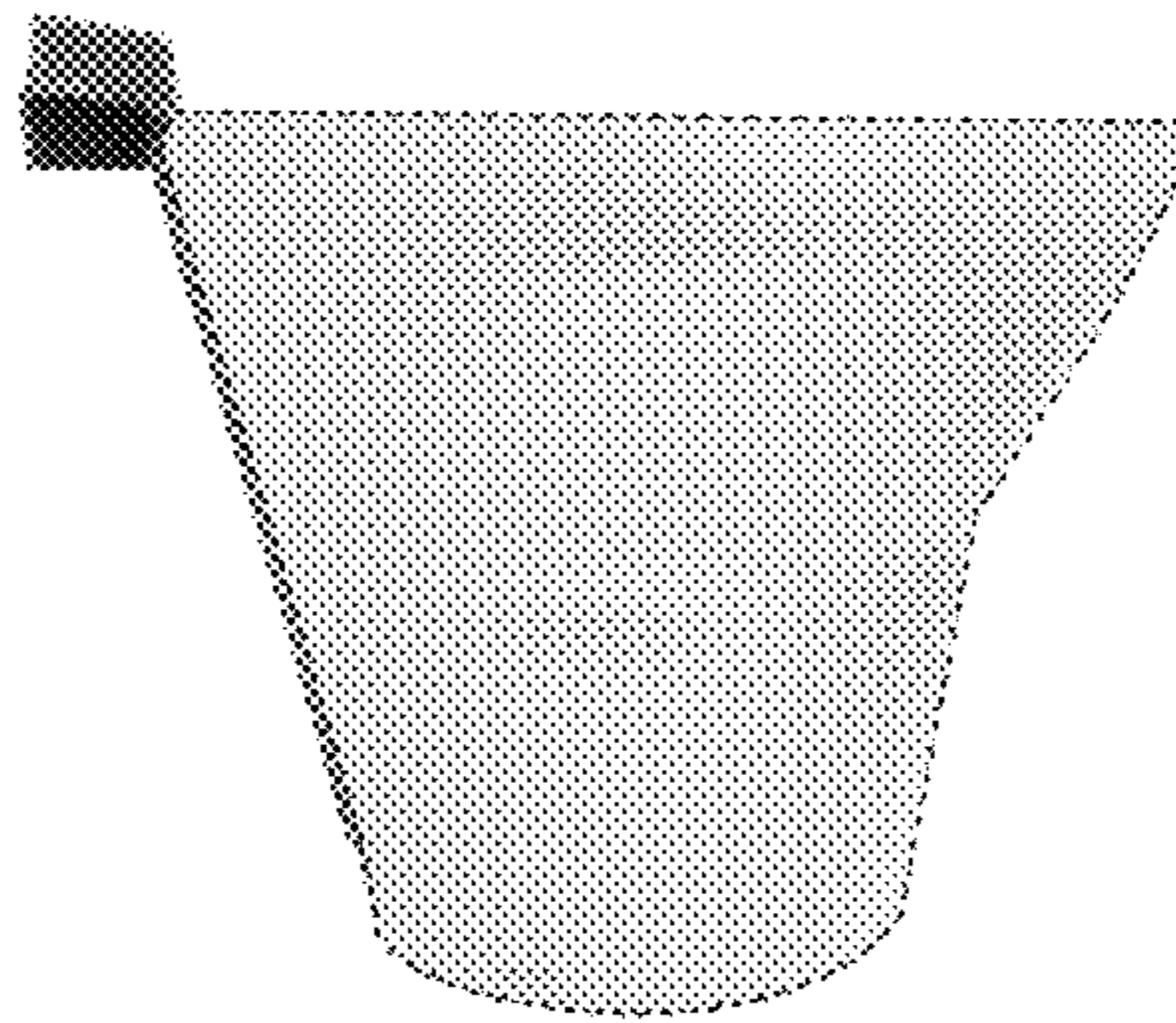
6,073,393 A \* 6/2000 Gutsche ..... A47G 7/047  
47/67  
D508,395 S \* 8/2005 Gamble ..... D8/363  
D574,699 S \* 8/2008 Palmer ..... D8/367  
D616,290 S \* 5/2010 Sullivan ..... D8/380  
D643,661 S \* 8/2011 Ferrer ..... D6/556  
2019/0282003 A1\* 9/2019 Otchere ..... A01G 9/02

\* cited by examiner

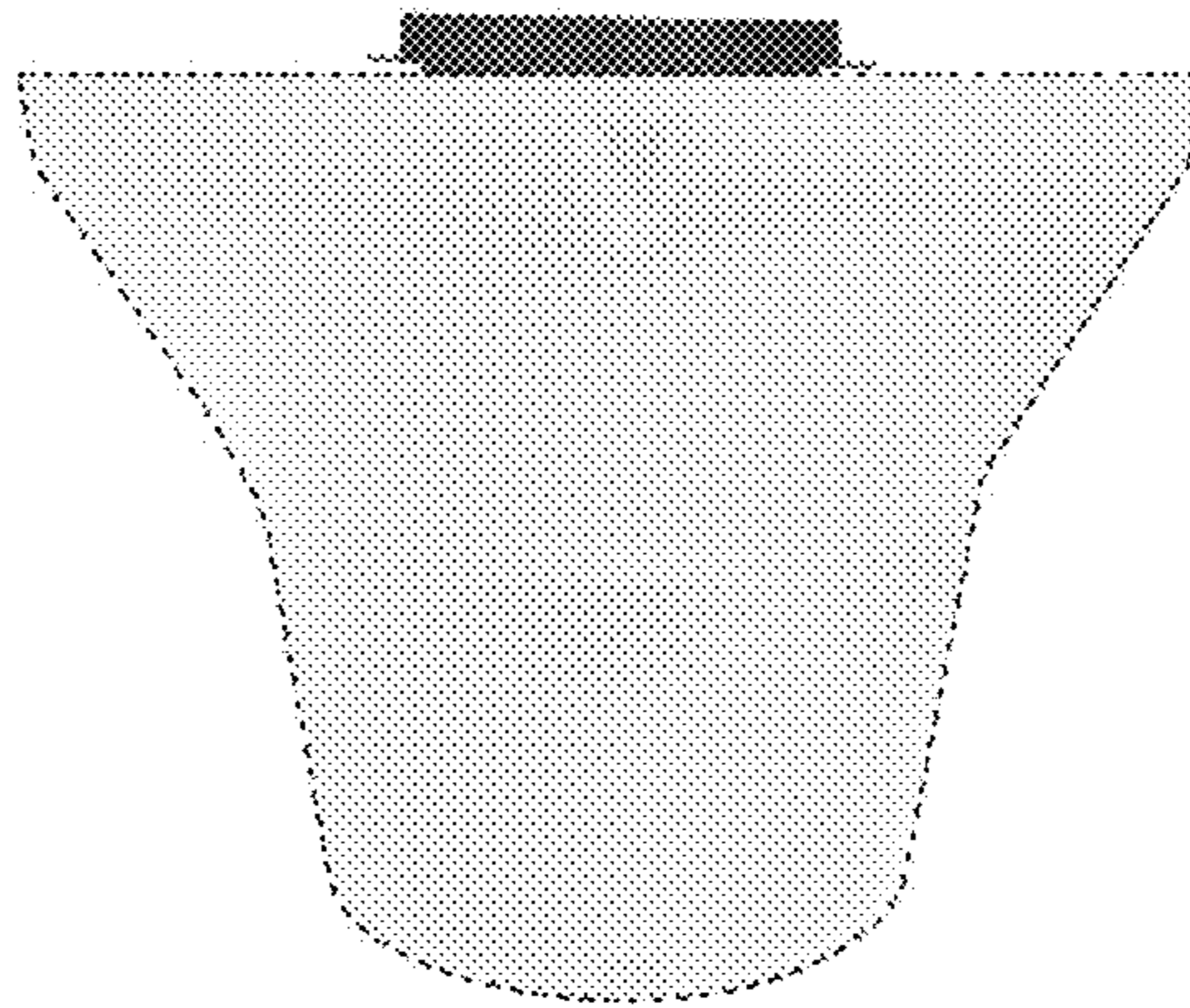
2.1



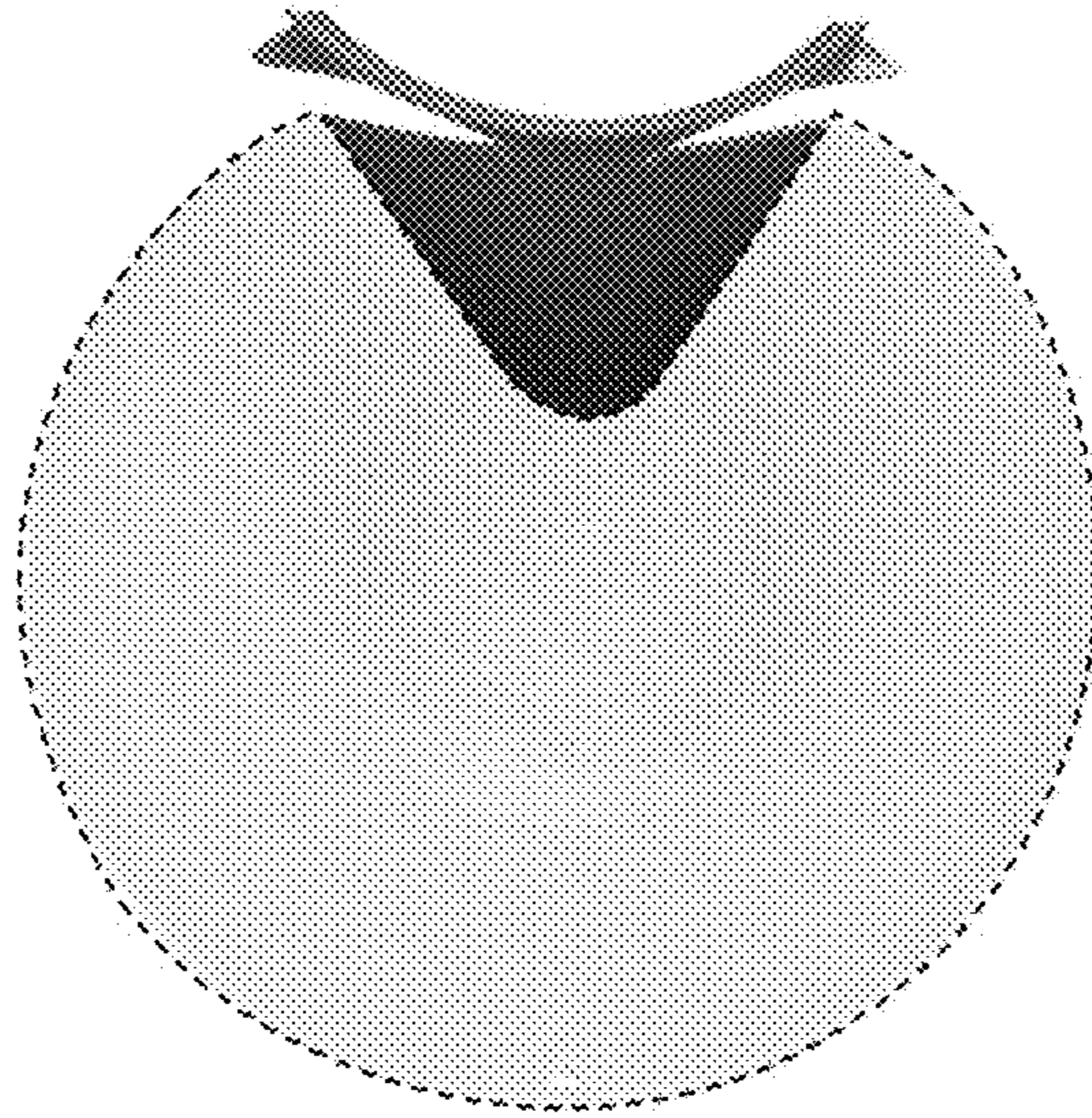
2.2



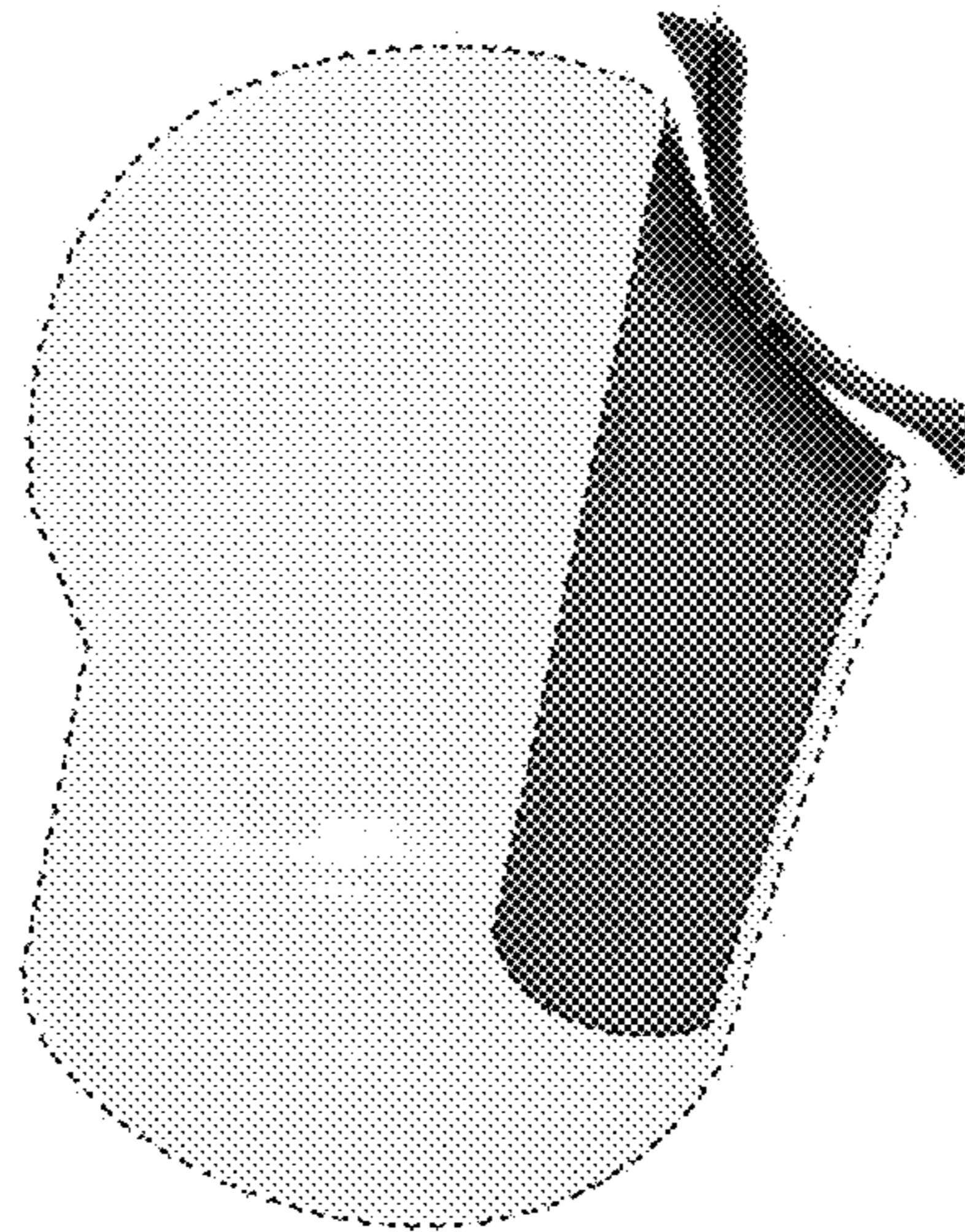
2.3



2.4



2.5



2.6

