



US00D982475S

(12) **United States Design Patent** (10) **Patent No.:** **US D982,475 S**
Lu (45) **Date of Patent:** **** Apr. 4, 2023**

(54) **WIND SPINNER**
(71) Applicant: **Yinghao Lu**, Jiangmen (CN)
(72) Inventor: **Yinghao Lu**, Jiangmen (CN)
(**) Term: **15 Years**
(21) Appl. No.: **29/863,186**
(22) Filed: **Dec. 16, 2022**
(51) **LOC (14) Cl.** **11-02**
(52) **U.S. Cl.**
USPC **D11/131; D21/458**
(58) **Field of Classification Search**
USPC D11/117, 125, 131, 133, 139, 141, 151,
D11/157; D21/258; D10/54
CPC A63H 33/40; F21V 21/0824; F21W
2131/109; A41G 1/002; G09F 2019/083
See application file for complete search history.

(56) **References Cited**

U.S. PATENT DOCUMENTS

1,155,263 A * 9/1915 Naito A63H 33/40
D21/458
D53,469 S * 6/1919 Samour D21/458
1,549,110 A * 8/1925 Greger A63H 33/40
446/217
1,583,881 A * 5/1926 Heberling A63H 33/40
446/218
1,769,784 A * 7/1930 Hoppe A63H 33/40
446/217
D183,355 S * 8/1958 Lewis D21/458
D183,356 S * 8/1958 Lewis D21/458
D200,964 S * 4/1965 Phelps D21/458
D224,331 S * 7/1972 Halpern D21/458
D225,549 S * 12/1972 Halpern D21/458
D253,776 S * 12/1979 Molenaar D21/458
D331,785 S * 12/1992 Mast D21/458
D384,165 S * 9/1997 Suci D25/1
6,716,082 B1 * 4/2004 Chen Pan A63H 33/40
446/236
D614,279 S * 4/2010 Lesniak D23/367

D729,422 S * 5/2015 Carroll D26/8
D732,731 S * 6/2015 Wang D26/127
D751,946 S * 3/2016 Soofer D11/157
D756,262 S * 5/2016 Lee
D816,826 S * 5/2018 Johnson D23/385
D824,565 S * 7/2018 Tsai D26/73
D854,625 S * 7/2019 Hendrickson-Santospago
D21/458
D880,749 S * 4/2020 Memedi D26/73
D908,943 S * 1/2021 Huang D26/68
D940,371 S * 1/2022 Li D26/68
D958,441 S * 7/2022 Zhou D26/94

(Continued)

FOREIGN PATENT DOCUMENTS

CN 108654120 A * 10/2018 A63H 33/22

OTHER PUBLICATIONS

Solar Wind Spinner, available Jul. 27, 2022, [online], [site visited Feb. 9, 2023]. Available from internet, URL: <https://www.amazon.com/dp/B09ZTYKNT3/ref> (Year: 2022).*

(Continued)

Primary Examiner — W. A. Teddy Falloway

(57) **CLAIM**

The ornamental design for a wind spinner, as shown and described.

DESCRIPTION

FIG. 1 is a front perspective view of a wind spinner, showing my new design;
FIG. 2 is a rear perspective view thereof;
FIG. 3 is a front view thereof;
FIG. 4 is a rear view thereof;
FIG. 5 is a left side view thereof;
FIG. 6 is a right side view thereof;
FIG. 7 is a top view thereof; and,
FIG. 8 is a bottom view thereof.

1 Claim, 8 Drawing Sheets



(56)

References Cited

U.S. PATENT DOCUMENTS

D974,222 S * 1/2023 Lu D11/131
D974,226 S * 1/2023 Lu D11/131
D974,227 S * 1/2023 Lu D11/131
2013/0252507 A1* 9/2013 Kessler A63H 33/22
446/217
2015/0092399 A1* 4/2015 Qiu F21S 9/03
362/183
2018/0339240 A1* 11/2018 Maguire A63H 33/40
2022/0323878 A1* 10/2022 Yeiser, IV F03D 1/00

OTHER PUBLICATIONS

Wind Spinners, available Oct. 19, 2022, [online], [site visited Feb. 9, 2023]. Available from internet, URL: <https://www.amazon.com/dp/B0BBMN6D6L/ref> (Year: 2022).*

* cited by examiner

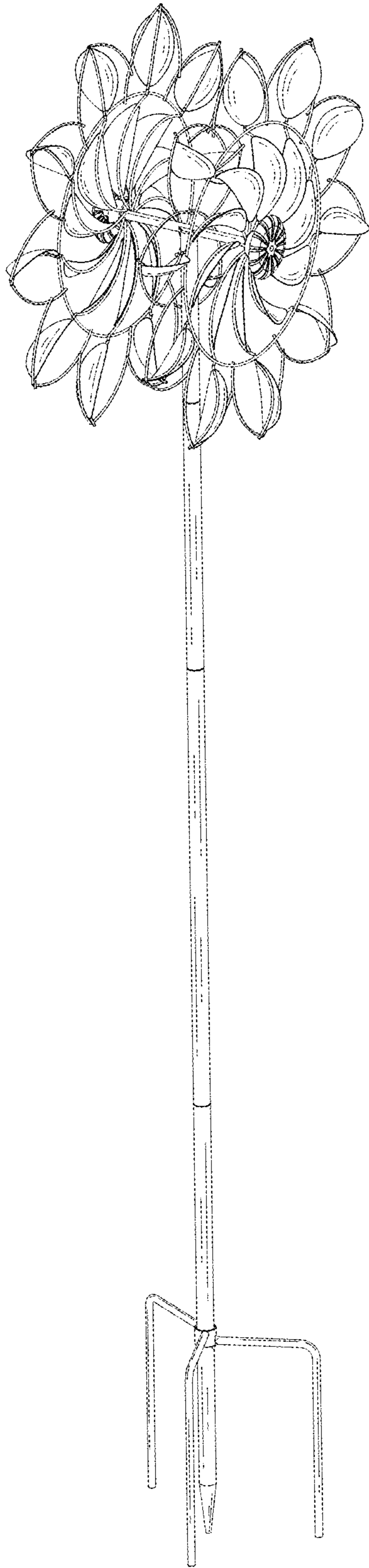


FIG. 1

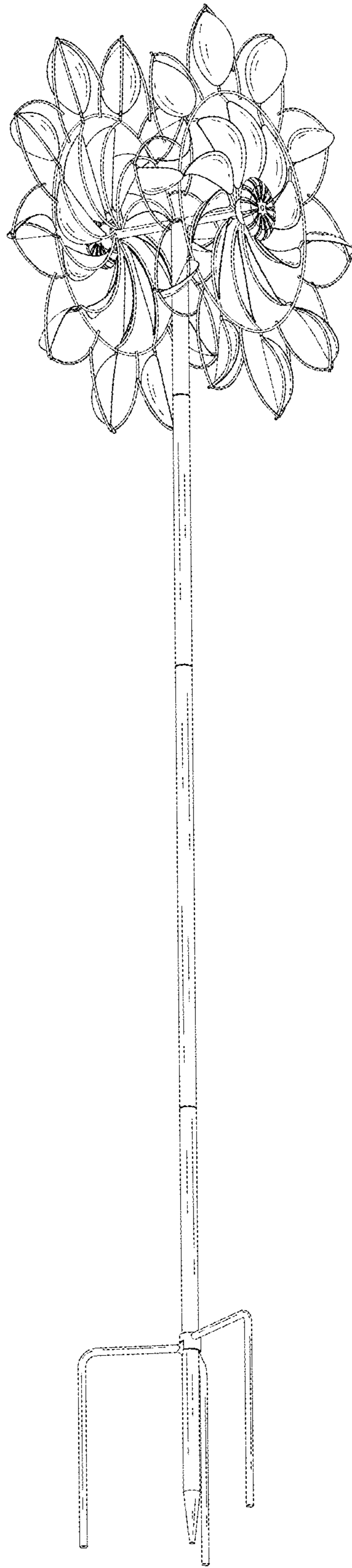


FIG. 2

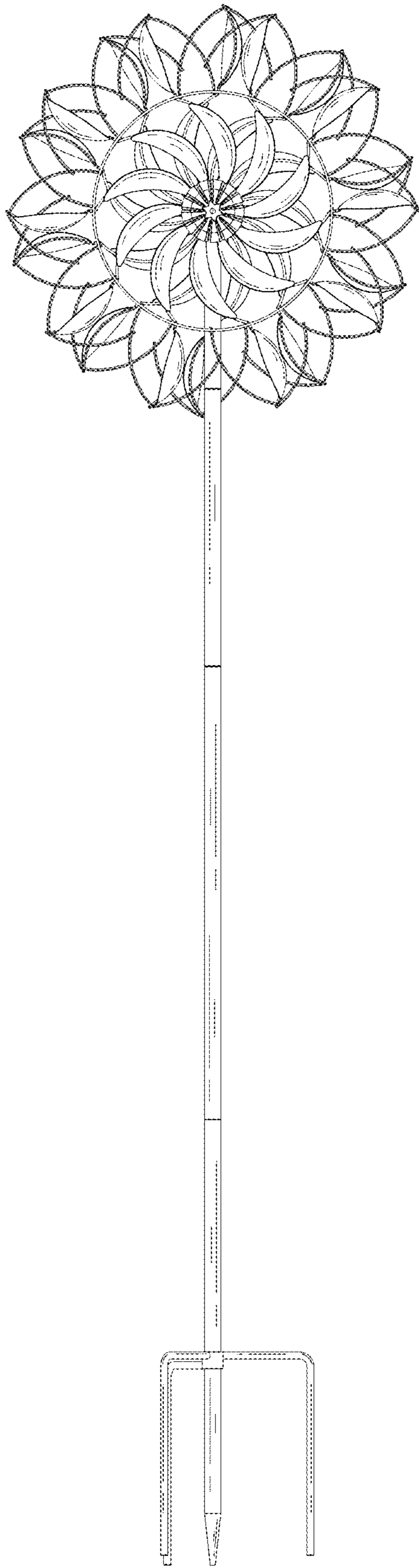


FIG. 3

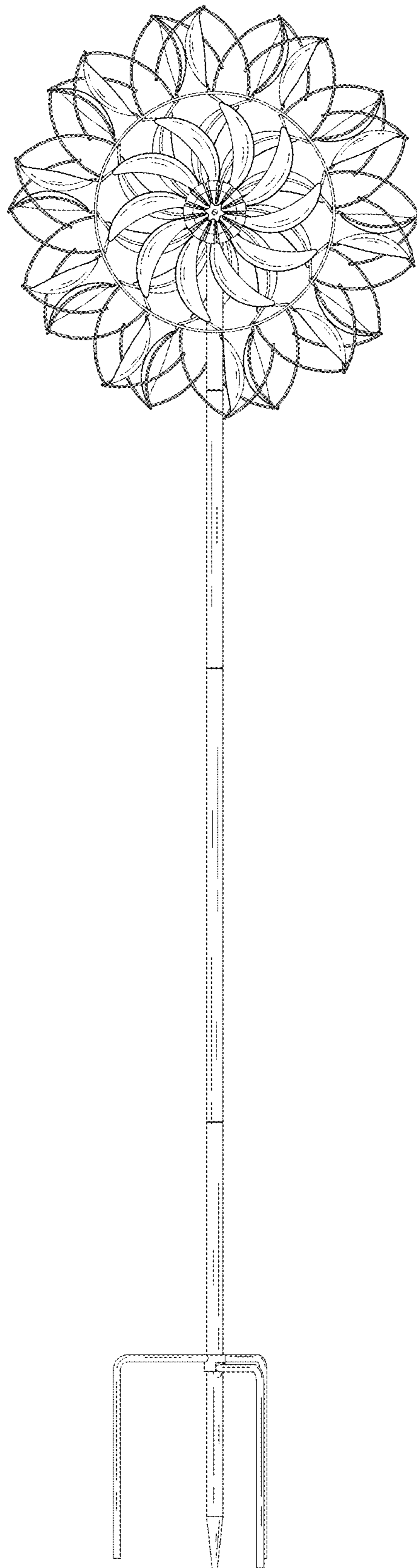


FIG. 4

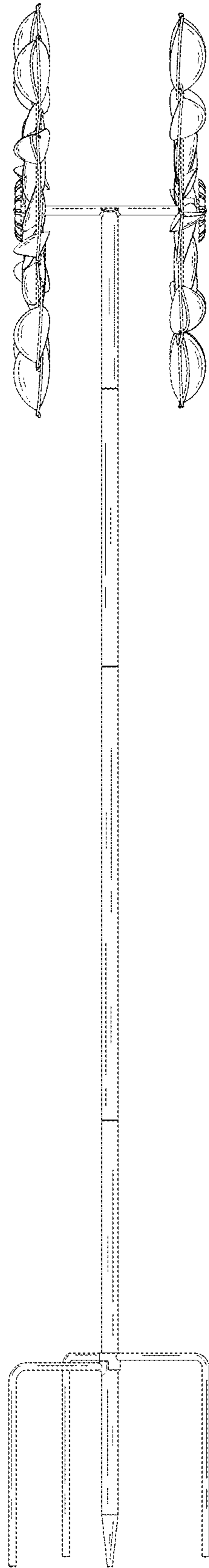


FIG. 5

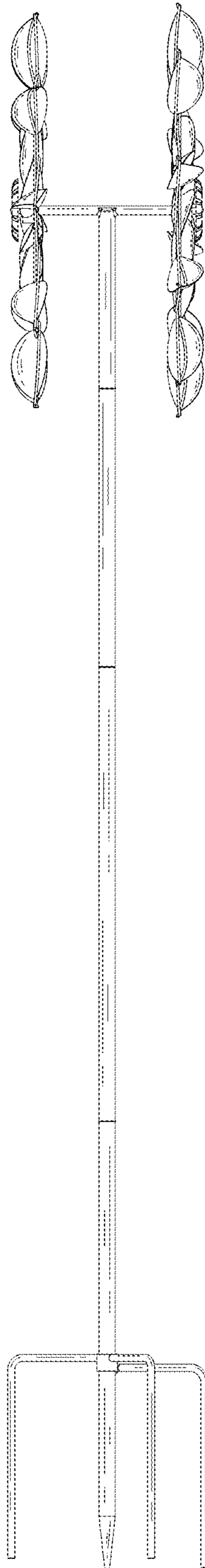


FIG. 6

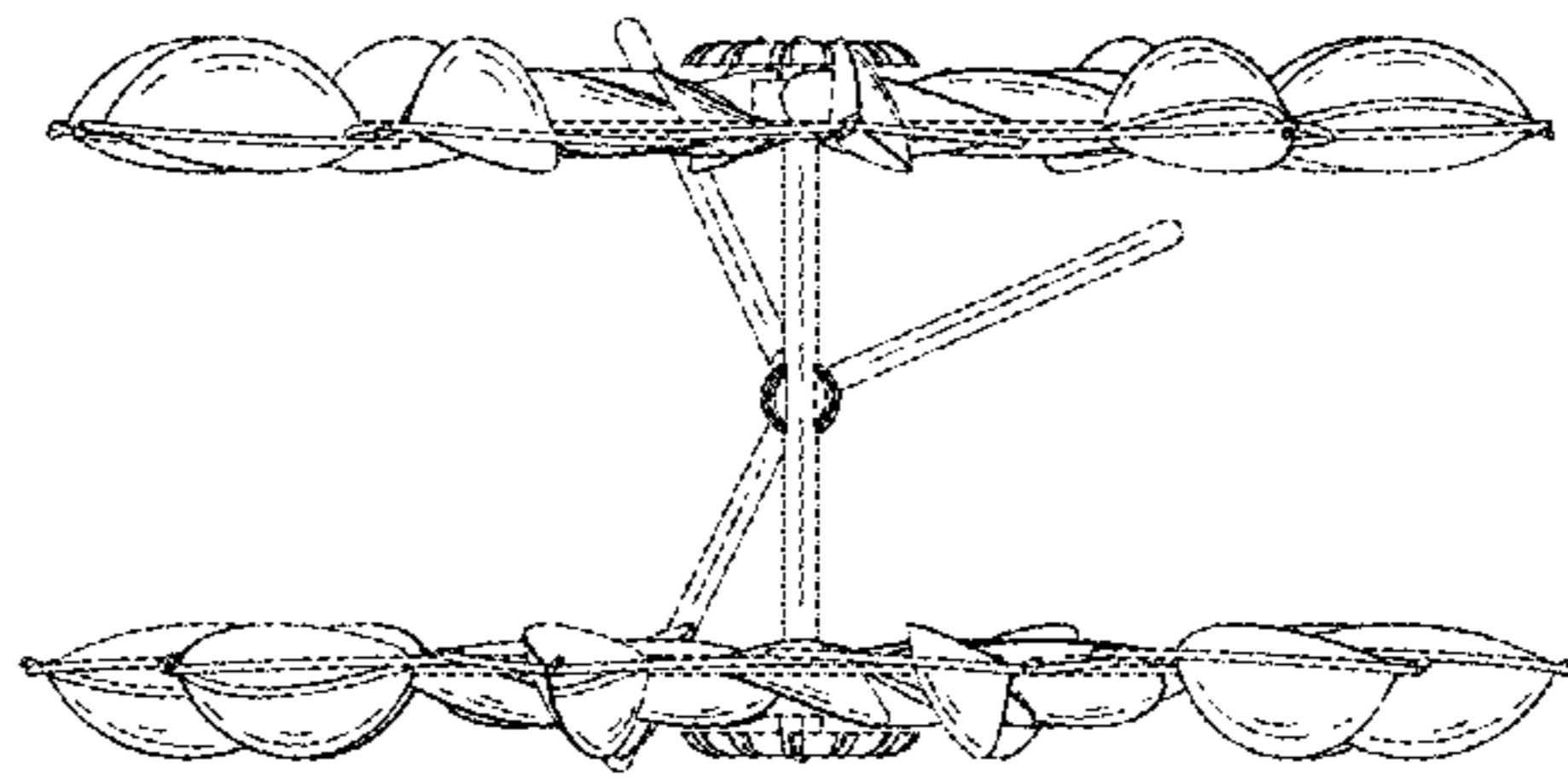


FIG. 7

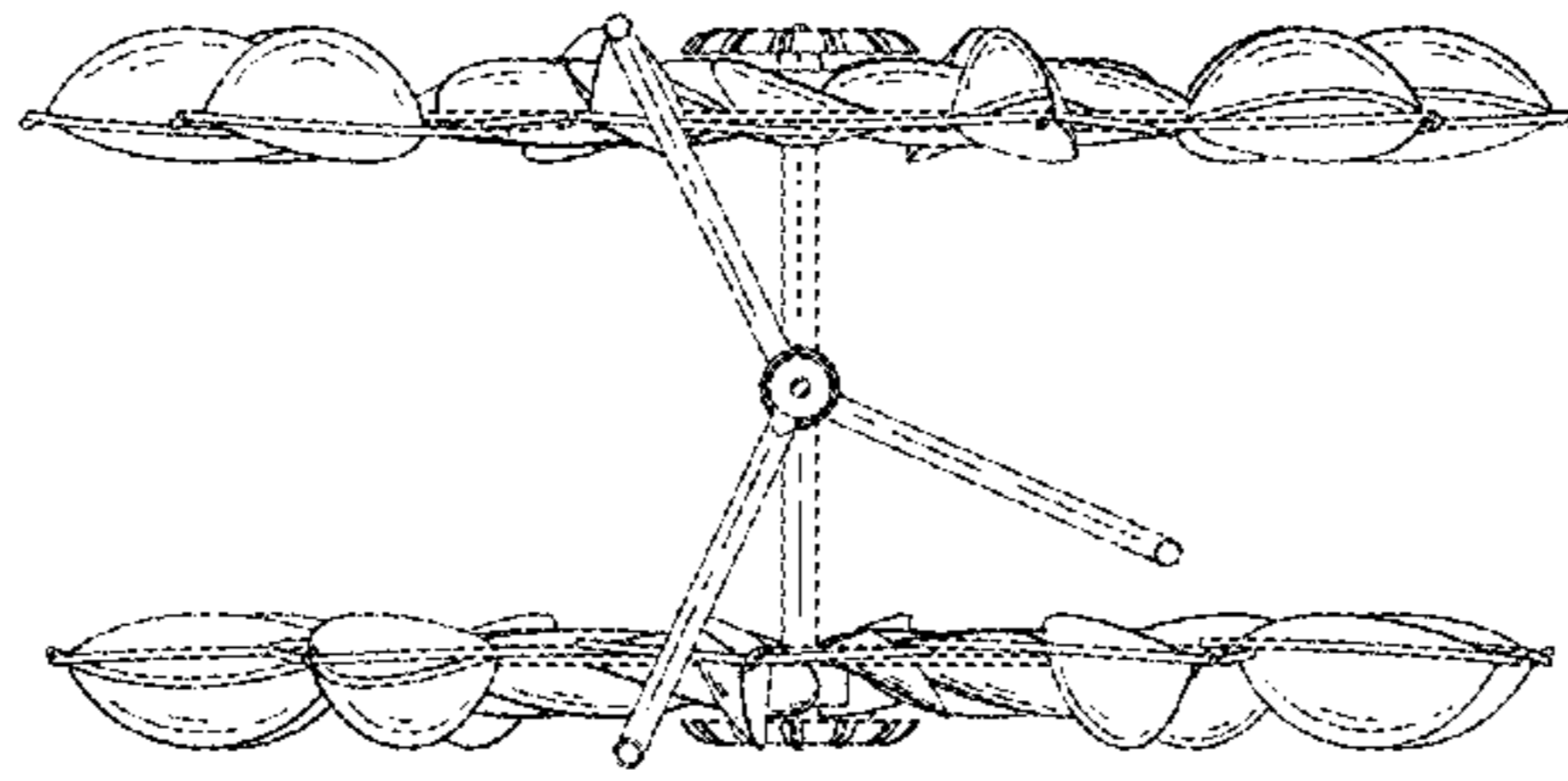


FIG. 8