



US00D982471S

(12) **United States Design Patent** (10) **Patent No.:** **US D982,471 S**  
**Teng** (45) **Date of Patent:** **\*\* Apr. 4, 2023**

(54) **WATCH BAND**

FOREIGN PATENT DOCUMENTS

(71) Applicant: **SHENZHEN TENG YUE TECHNOLOGY CO., LTD.**, Shenzhen (CN)

CN 303506308 \* 12/2015  
CN 307358955 \* 5/2022

(72) Inventor: **Jiming Teng**, Shenzhen (CN)

(73) Assignee: **SHENZHEN TENG YUE TECHNOLOGY CO., LTD.**, Shenzhen (CN)

Autavia Steel Band Tag Heuer pp. 1-3 2022 [https://www.tagheuer.com/us/en/timepieces/discover/accessories/no-size/BA0650.html?gclid=EAAlaQobChMI2JvPqJjH-glVxfriCh0lmQB7EAQYAiABEgL6l\\_D\\_BwE&gclidsrc=aw.ds](https://www.tagheuer.com/us/en/timepieces/discover/accessories/no-size/BA0650.html?gclid=EAAlaQobChMI2JvPqJjH-glVxfriCh0lmQB7EAQYAiABEgL6l_D_BwE&gclidsrc=aw.ds) (Year: 2022).\*

(Continued)

(\*\*) Term: **15 Years**

*Primary Examiner* — Kevin K Rudzinski  
*Assistant Examiner* — Evans David Delesline  
(74) *Attorney, Agent, or Firm* — Daniel M. Cohn; Howard M. Cohn

(21) Appl. No.: **29/845,249**

(22) Filed: **Jul. 6, 2022**

(51) **LOC (14) Cl.** ..... **11-01**

(52) **U.S. Cl.**  
USPC ..... **D11/3**

(58) **Field of Classification Search**  
USPC ..... D11/1-5; D10/32  
CPC ..... A44C 5/0053  
See application file for complete search history.

(57) **CLAIM**

The ornamental design for a watch band, as shown and described.

**DESCRIPTION**

FIG. 1 is a perspective view of a watch band showing my new design;  
FIG. 2 is another perspective view thereof;  
FIG. 3 is a front elevational view thereof;  
FIG. 4 is a rear elevational view thereof;  
FIG. 5 is a left side elevational view thereof;  
FIG. 6 is a right side elevational view thereof;  
FIG. 7 is a top plan view thereof;  
FIG. 8 is a bottom plan view thereof;  
FIG. 9 is a perspective view of the watch band where the watch band is in an open state;  
FIG. 10 is an exploded perspective view of the watch band; and,  
FIG. 11 is a perspective view of the watch band where the watch band is in a configuration of use.  
The broken lines in the drawings depict portions of the watch band that form no part of the claimed design.

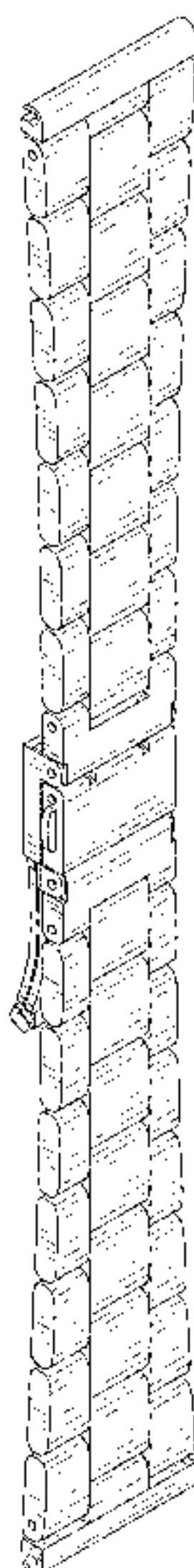
(56) **References Cited**

U.S. PATENT DOCUMENTS

D248,740 S *	8/1978	Harris	.....	D11/19
D286,516 S *	11/1986	Chodat	.....	D11/21
D326,624 S *	6/1992	Cowan	.....	D11/4
D342,037 S *	12/1993	Giardiello	.....	D11/25
D353,545 S *	12/1994	Reich	.....	D10/39
D443,214 S *	6/2001	Bodino	.....	D10/32
D471,126 S *	3/2003	Galvani	.....	D11/3
D471,482 S *	3/2003	Galvani	.....	D11/3
D487,704 S *	3/2004	Rousseau	.....	D10/32
D629,705 S *	12/2010	Furetta	.....	D10/32
D668,968 S *	10/2012	Duport	.....	D10/32
D691,495 S *	10/2013	Duport	.....	D10/32
D697,822 S *	1/2014	Duport	.....	D10/32
D701,778 S *	4/2014	Duport	.....	D10/32
D714,177 S *	9/2014	Graff	.....	D11/3

(Continued)

**1 Claim, 11 Drawing Sheets**



(56)

**References Cited**

## U.S. PATENT DOCUMENTS

D735,069 S \* 7/2015 Paradise ..... D14/344  
D739,289 S \* 9/2015 Cerrato ..... D11/3  
D756,832 S 5/2016 Riddiford et al.  
D769,764 S \* 10/2016 Mille ..... D11/3  
D823,853 S \* 7/2018 Yoshimoto ..... D14/344  
D837,675 S 1/2019 Tibi  
D874,310 S \* 2/2020 DiMartini ..... D11/3  
D885,231 S \* 5/2020 Laucella ..... D11/3  
D913,141 S \* 3/2021 Li ..... D11/3  
D950,396 S \* 5/2022 Johnston ..... D10/32

## OTHER PUBLICATIONS

Stainless Steel Links Watch Band Strap Bracelet Replacement  
Watch Strap 16-24 mm | eBay pp. 1-9 2022 <https://www.ebay.com/itm/293918430620?chn=ps&mkevt=1&mkcid=28&var=592627451043> (Year: 2022).\*

Fullmosa Quick Release Watch band, Stainless Steel Watch strap  
amazon pp. 1-14 2018 [https://www.amazon.com/dp/B07F23YHTK/ref=twister\\_B07F2Z5D6V](https://www.amazon.com/dp/B07F23YHTK/ref=twister_B07F2Z5D6V) (Year: 2018).\*

22mm President Bracelet Watch Band with Curved End Links Etsy  
pp. 1-14 2020 <https://www.etsy.com/uk/listing/766605159/22mm-president-bracelet-watch-band-with> (Year: 2020).\*

\* cited by examiner

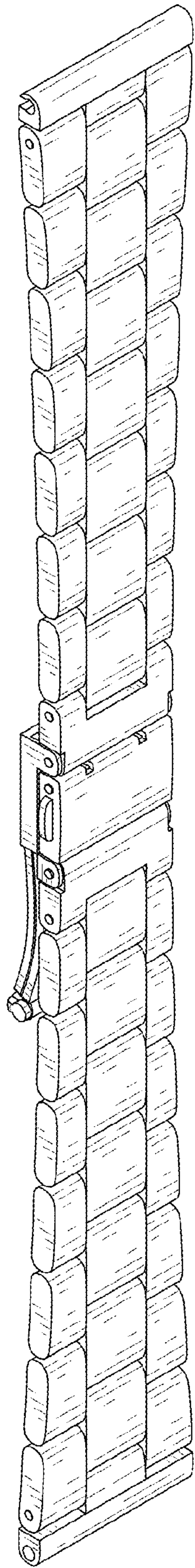


FIG. 1

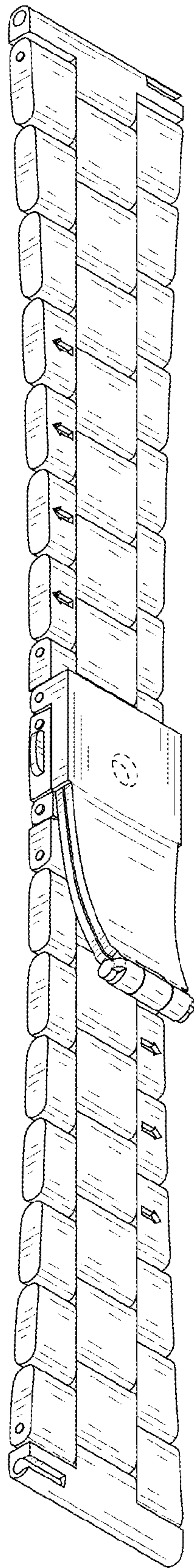


FIG. 2

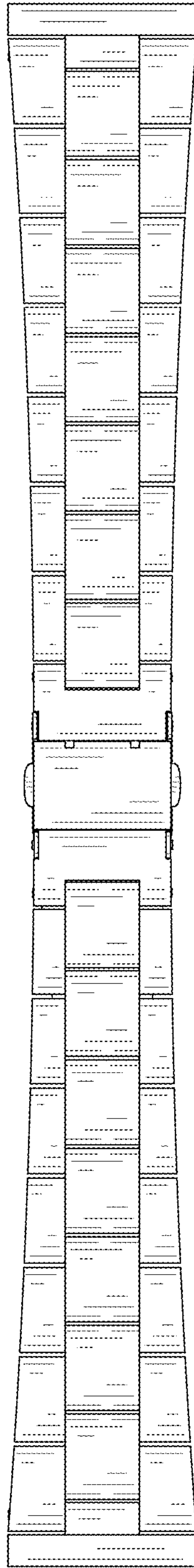


FIG. 3



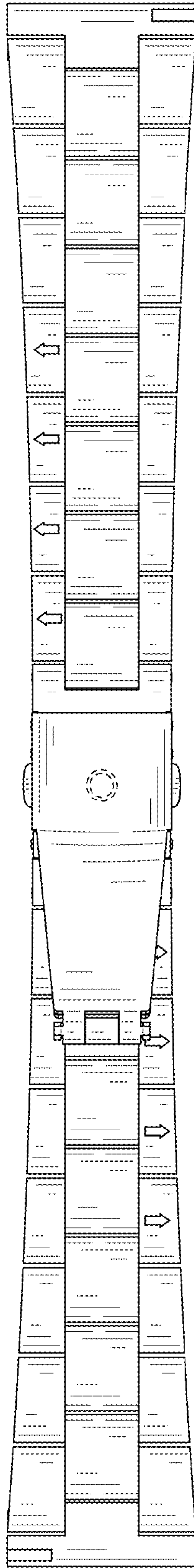


FIG. 4

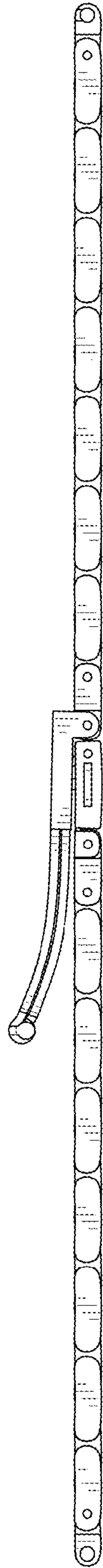


FIG. 5

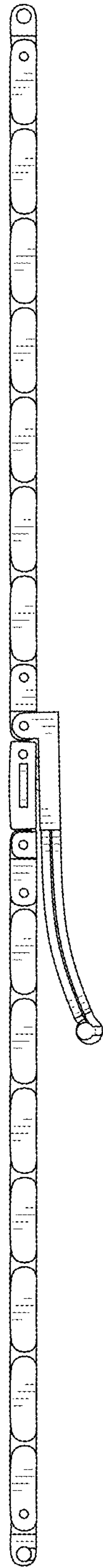


FIG. 6



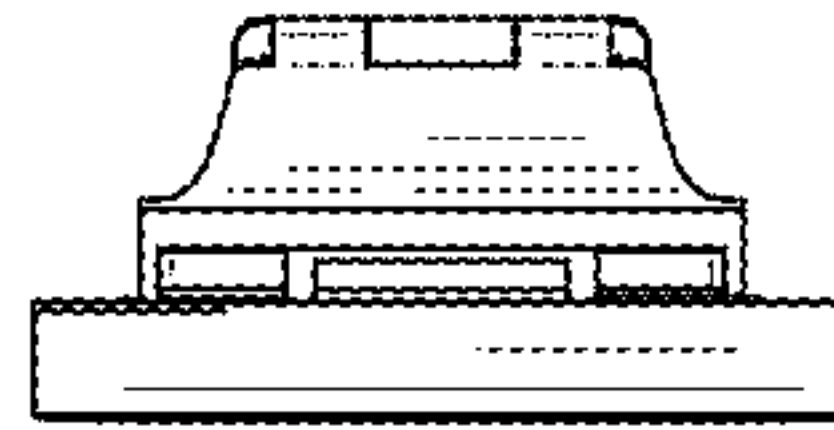


FIG. 7

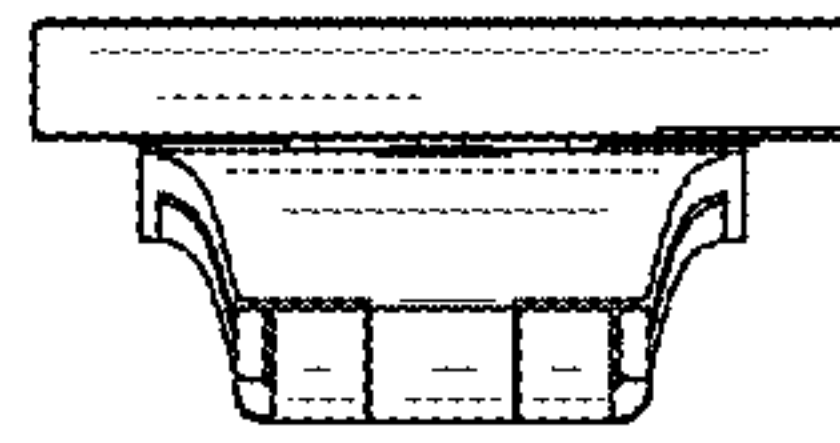


FIG. 8

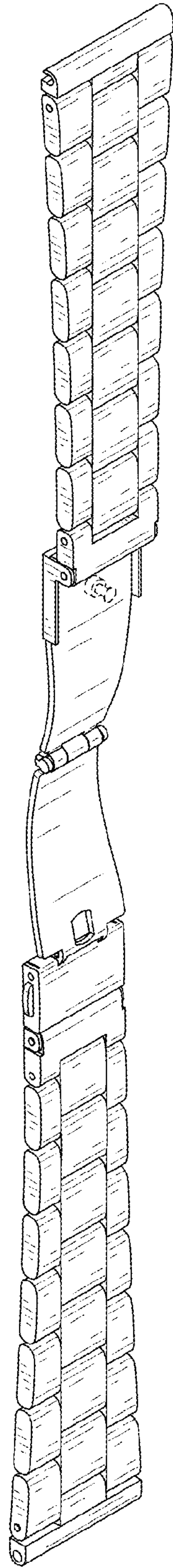


FIG. 9

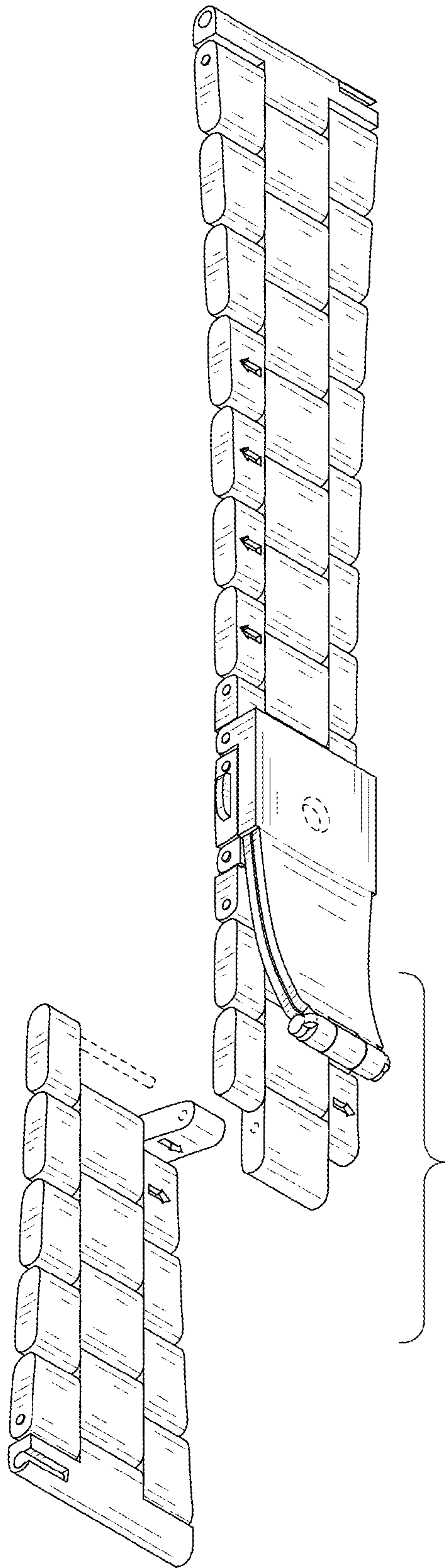


FIG. 10

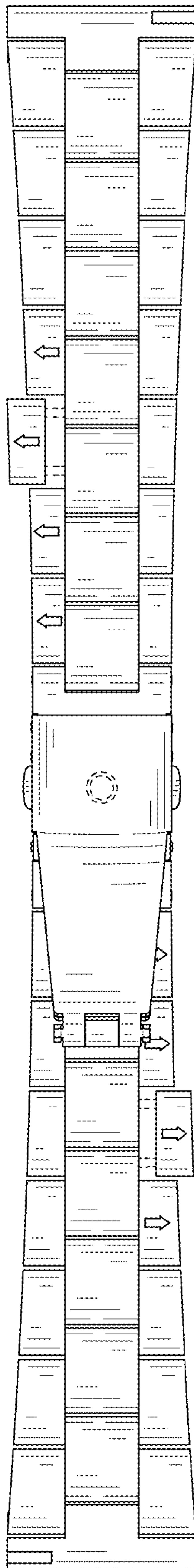


FIG. 11