



US00D982470S

(12) **United States Design Patent** (10) **Patent No.:** **US D982,470 S**
Wu (45) **Date of Patent:** **** Apr. 4, 2023**

(54) **WATCH BAND**

(71) Applicant: **Shenzhen Xiutai Technology Co., Ltd,**
Shenzhen (CN)

(72) Inventor: **Xianrong Wu,** Shenzhen (CN)

(**) Term: **15 Years**

(21) Appl. No.: **29/832,361**

(22) Filed: **Mar. 28, 2022**

(51) **LOC (14) Cl.** **11-01**

(52) **U.S. Cl.**

USPC **D11/3; D14/344**

(58) **Field of Classification Search**

USPC D11/1-25, 86, 87, 93, 94, 234, 235, 231;
224/164, 175; 600/301; D10/30-39, 70,
D10/46; 368/282, 285; D14/344;

D24/167, 186, 187

CPC G04B 37/1486; G04B 37/16; G04B 37/18;

G04B 37/00; A44C 5/14; A44C 5/0053;

A44C 5/0069; A44C 5/0076; A44C 5/00;

A44C 5/0007; A44C 5/0015; A44C

5/0023; A44C 5/003; A44C 5/0061; A44C

5/12; A44C 5/147; A44C 5/18; A44C

5/185; A44C 5/2047; A44C 5/2052; A44B

11/006; A44B 11/24

See application file for complete search history.

(56) **References Cited**

U.S. PATENT DOCUMENTS

D141,753 S * 7/1945 Du Bois D11/3
D727,197 S * 4/2015 Akana D11/3
D737,157 S * 8/2015 Akana D10/70
D744,356 S * 12/2015 Akana D10/70
D779,993 S * 2/2017 Akana D11/3
D795,121 S * 8/2017 Akana D11/3
D821,246 S * 6/2018 Akana D11/3
D836,477 S 12/2018 Peng
D839,121 S 1/2019 Liu
D840,860 S 2/2019 Zhang

D841,512 S * 2/2019 Paschke D11/3
D842,157 S 3/2019 Liu
D856,160 S 8/2019 Yu
D863,095 S * 10/2019 Akana D11/3
10,463,118 B1 * 11/2019 Qin F16B 1/00
D881,059 S * 4/2020 Schowalter D11/3

(Continued)

FOREIGN PATENT DOCUMENTS

CN 305097522 * 4/2019
CN 306440182 * 4/2021

(Continued)

OTHER PUBLICATIONS

Craftmemore [online] URL: <https://www.amazon.com/CRAFTMEMORE-Screw-Zipper-Webbing-Sewing/dp/B093Z5C4PP> (site visited: Aug. 5, 2022) (Year: 2021).*

(Continued)

Primary Examiner — Jae Liang

Assistant Examiner — Tia Ruth-Renee Polidori

(74) *Attorney, Agent, or Firm* — Rumit Ranjit Kanakia

(57) **CLAIM**

The ornamental design for a watch band, as shown and described.

DESCRIPTION

FIG. 1 is a front perspective view of a watch band showing my new design;

FIG. 2 is a front view thereof;

FIG. 3 is a rear view thereof;

FIG. 4 is a left side view thereof;

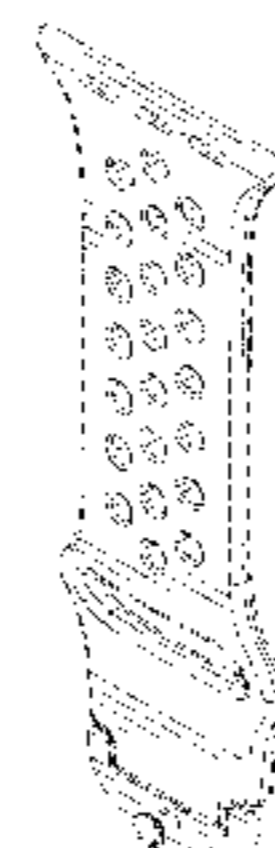
FIG. 5 is a right side view thereof;

FIG. 6 is a top view thereof; and,

FIG. 7 is a bottom view thereof.

The broken lines in the drawings depict portions of the watch band, that form no part of the claimed design.

1 Claim, 7 Drawing Sheets



(56)

References Cited

U.S. PATENT DOCUMENTS

D883,840	S	5/2020	Schowalter	
D902,769	S *	11/2020	Riot	D14/344
D904,921	S *	12/2020	Chung	D14/344
D909,227	S *	2/2021	Riot	D11/3
D914,530	S *	3/2021	Riot	D11/3
D921,516	S *	6/2021	Ouyang	D11/3
11,033,082	B1 *	6/2021	Riot	A44C 5/147
D926,615	S *	8/2021	Li	D11/3
D938,849	S *	12/2021	Akana	D11/3
D938,850	S *	12/2021	Akana	D11/3
D940,582	S *	1/2022	Akana	D11/3
D945,301	S *	3/2022	Chen	D11/3
D964,878	S *	9/2022	Tian	D11/3

FOREIGN PATENT DOCUMENTS

CN	306459169	*	4/2021
CN	306927436	*	11/2021
CN	306971590	*	11/2021
CN	307000796	*	12/2021
CN	307158271	*	3/2022
CN	307324302	*	5/2022
CN	307358957	*	5/2022
CN	307435153	*	7/2022
CN	307555213	*	9/2022

OTHER PUBLICATIONS

Etsy [online] URL: <https://www.etsy.com/listing/1220625335/belt-tip-end-strap-tip-keeper-for-34> (site visited: Aug. 5, 2022) (Year: 2022).*

Shein [online] URL: <https://us.shein.com/Universal-Silicone-Smart-Watch-Band-p-10728111-cat-2781.html> (site visited: Aug. 5, 2022) (Year: 2022).*

Sport Watch [online] URL: <https://www.walmart.ca/en/ip/Sport-Watch-Band-Compatible-with-Watch-38-40mm-Soft-Silicone-Replacement-Sport-Strap-Compatible-with-iWatch-Series-5-4-3-2-1-S-M-M-L/7BG200JH2XS2> (site visited: Aug. 5, 2022) (Year: 2022).*

Hisri [online] URL: <https://www.amazon.com/Hisri-Compatible-Breathable-Extra-Soft-Replacement/dp/B07TLX3438> (site visited: Aug. 9, 2022) (Year: 2019).*

Apple [online] URL: <https://www.apple.com/shop/product/MPGL3AM/A/41mm-summit-white-black-nike-sport-band-s-m?fnode=b73935209b72dbcaddae88d794f352a190687f4a83bcd11a664801416f7743637d5a4f3b531fa0a1dbab63dc8388ca25eb1de06d11a8da6f80b2cba6441d908e8bfaaf88cca2f07715ba6b7146641469> (site visited: Jan. 23, 2023) (Year: 2023).*

* cited by examiner

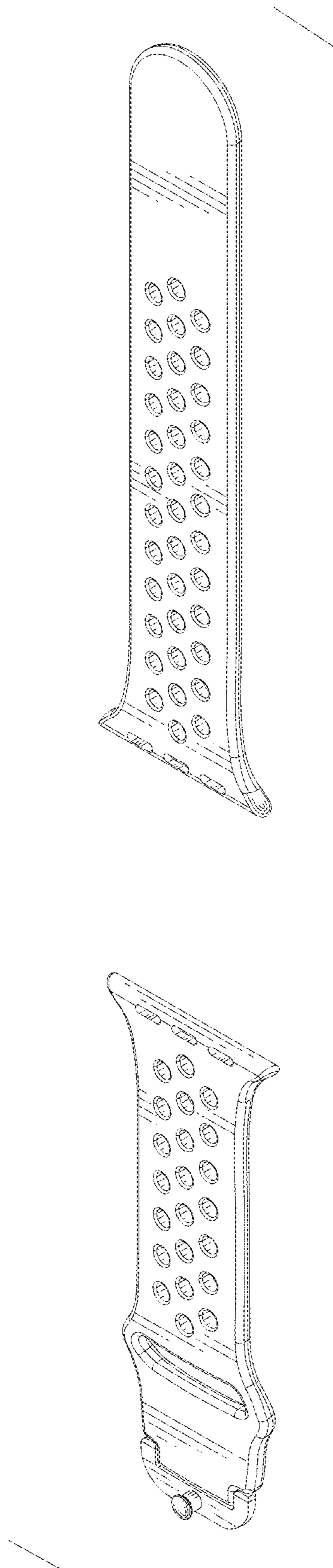


FIG. 1

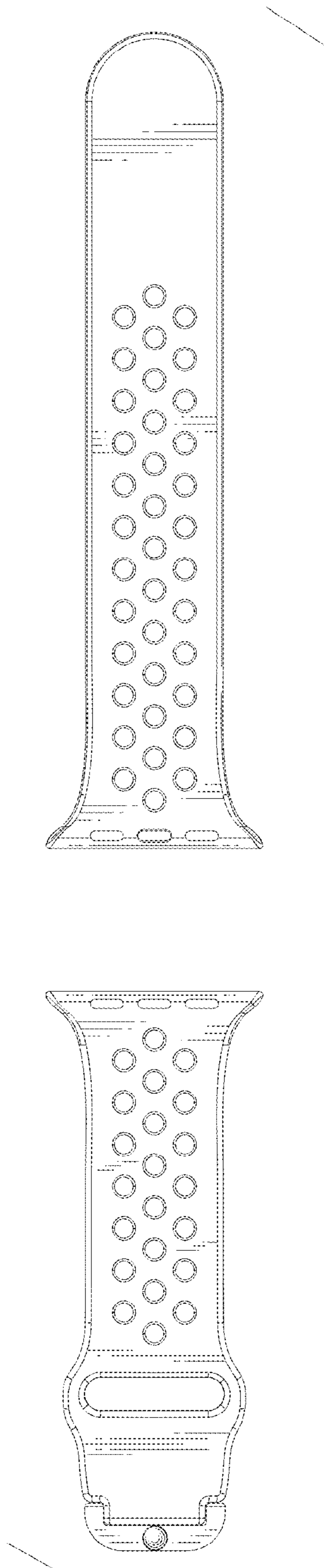


FIG. 2

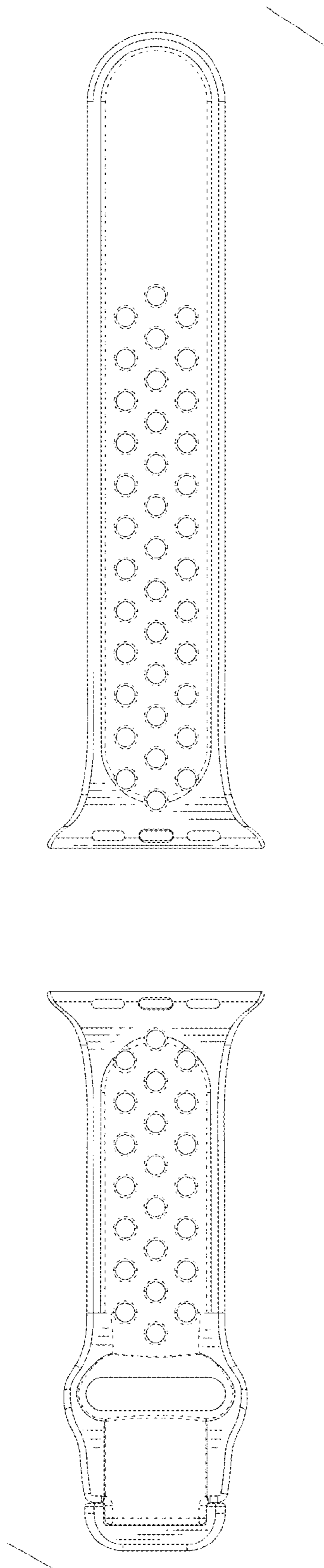


FIG. 3

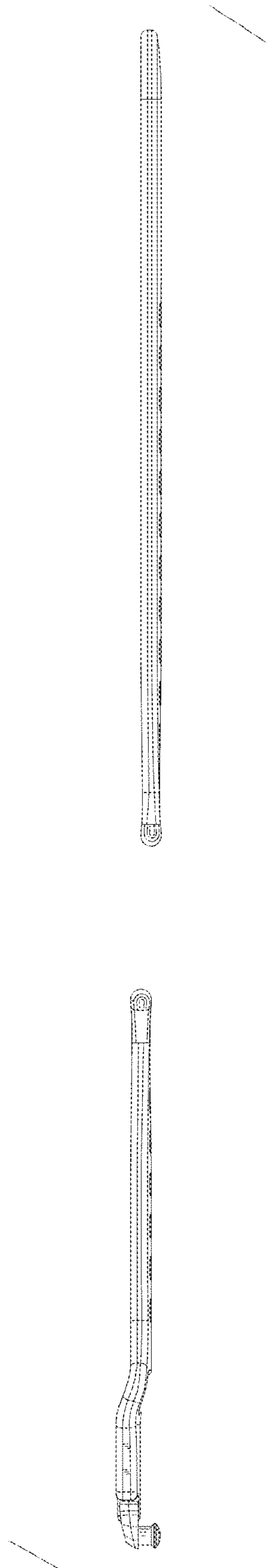


FIG. 4

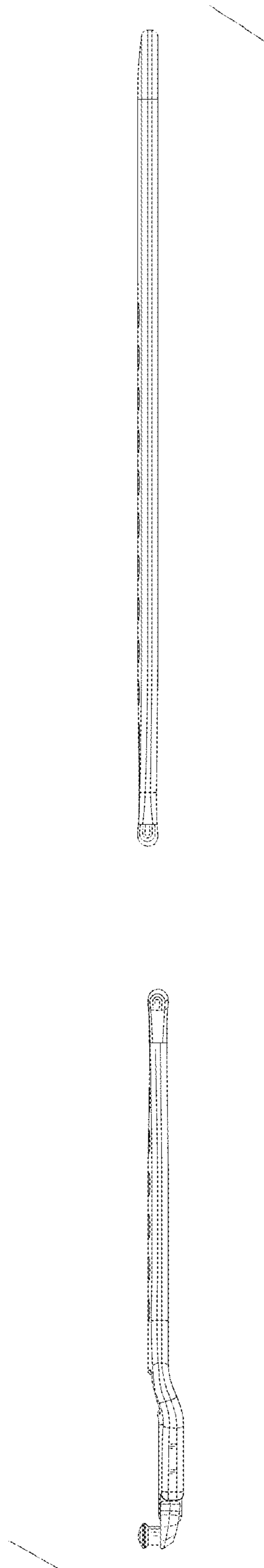


FIG. 5

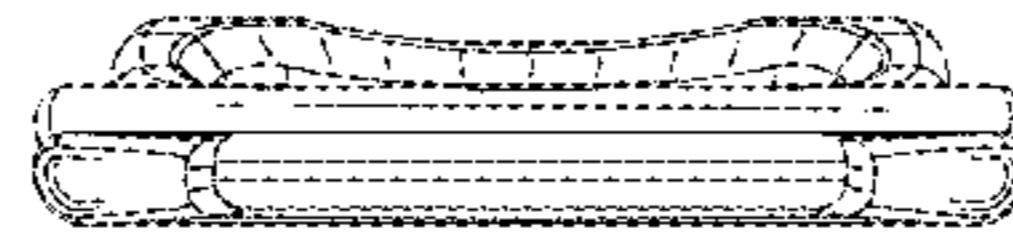


FIG. 6

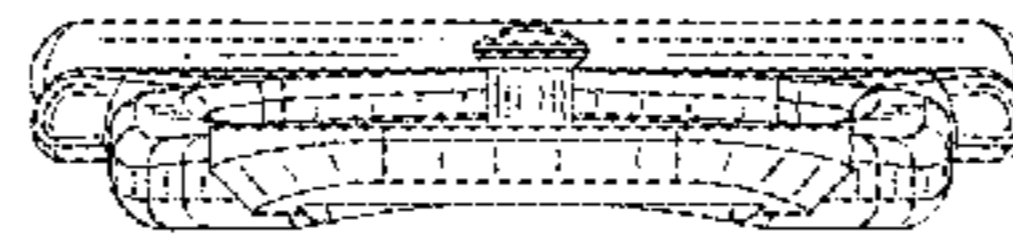


FIG. 7