



US00D982468S

(12) **United States Design Patent** (10) **Patent No.:** **US D982,468 S**
Mechelany (45) **Date of Patent:** **** Apr. 4, 2023**

(54) **WATCH DIAL** D864,781 S * 10/2019 Behling D10/129
D875,557 S * 2/2020 Davoli D10/39
(71) Applicant: **Cartier International AG**, Steinhausen D894,779 S * 9/2020 Calvani D10/129
(CH) D921,496 S * 6/2021 Behling D10/39
D970,356 S * 11/2022 Fu D10/22
(72) Inventor: **Raphael Mechelany**, Geneva (CH) 2006/0050617 A1* 3/2006 Papi G04B 5/165
368/203
(**) Term: **15 Years** 2017/0031321 A1* 2/2017 Buttet G04B 19/10

FOREIGN PATENT DOCUMENTS

(21) Appl. No.: **35/514,061**
(22) Filed: **Feb. 28, 2022**
(80) **Hague Agreement Data**
Int. Filing Date: **Feb. 28, 2022**
Int. Reg. No.: **DM/219993**
Int. Reg. Date: **Feb. 28, 2022**
Int. Reg. Pub. Date: **Apr. 15, 2022**

CH 705320 A2 * 1/2013 G04B 45/0061
EP 2230570 A2 * 9/2010 G04B 13/026

* cited by examiner

Primary Examiner — Katherine Glennon

(57) **CLAIM**

The ornamental design for a watch dial, as shown and described.

DESCRIPTION

(51) **LOC (14) Cl.** **10-07**
(52) **U.S. Cl.**
USPC **D10/126; D10/129**
(58) **Field of Classification Search**
USPC D10/30-39, 122-129
CPC G04B 19/00; G04B 19/06; G04B 19/065;
G04B 19/08; G04B 19/082; G04B
19/085; G04B 19/087; G04B 19/10;
G04B 19/12; G04B 47/042; G04B 5/00;
G04B 5/06; G04B 5/063
See application file for complete search history.

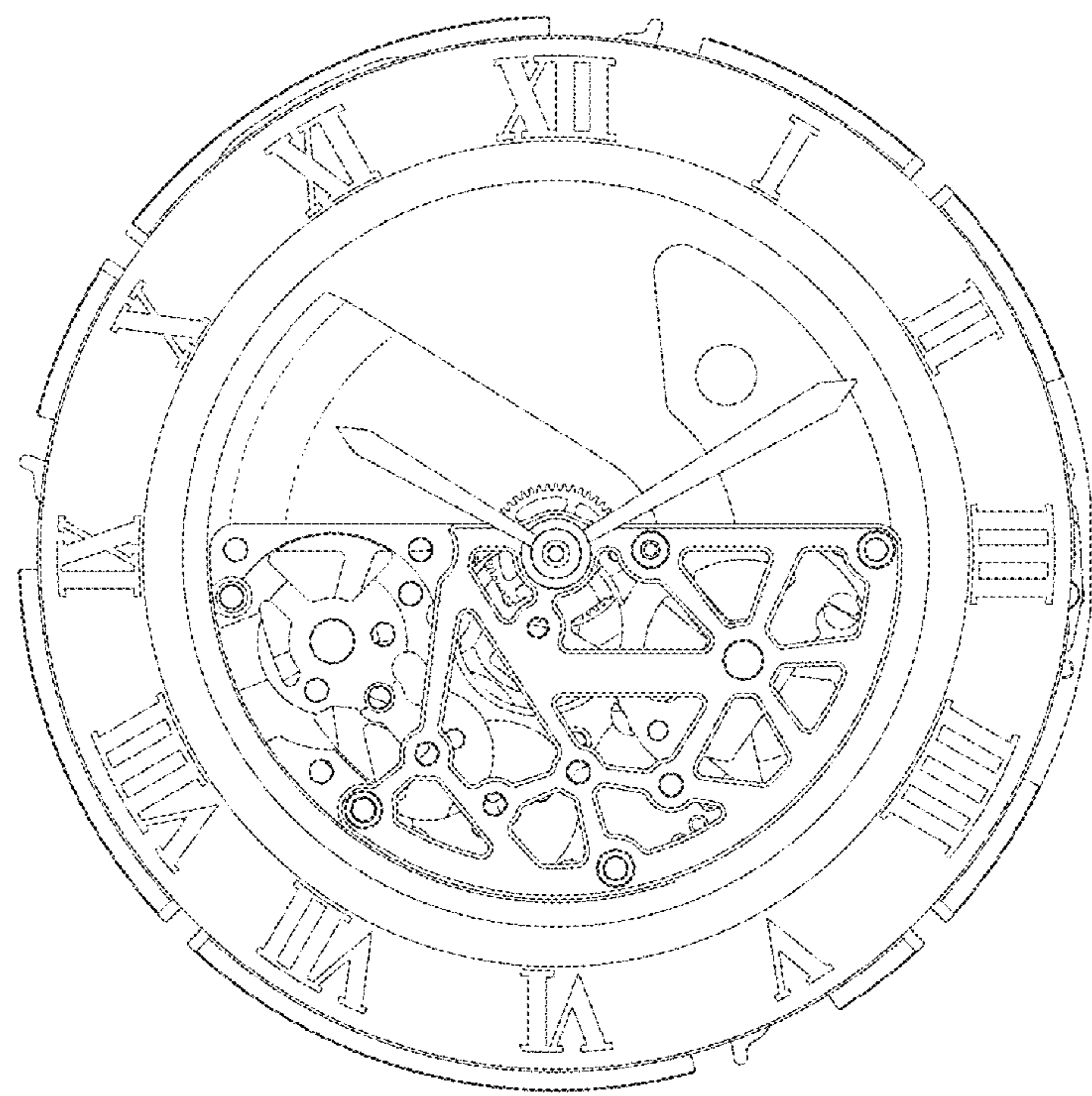
1.1 is a front view of a watch dial showing my new design;
1.2 is a rear view thereof;
1.3 is a top view thereof;
1.4 is a bottom view thereof;
1.5 is a left view thereof;
1.6 is a right view thereof;
1.7 is a front perspective view thereof;
1.8 is a rear perspective view thereof;
1.9 is a front view of FIG. 1 shown in a first alternate position;
1.10 is a rear view thereof: and
1.11 is a front view of FIG. 1 shown in a second alternate position.

(56) **References Cited**

U.S. PATENT DOCUMENTS

D636,692 S * 4/2011 Pospieszny D10/129
D739,287 S * 9/2015 Fazio D10/129

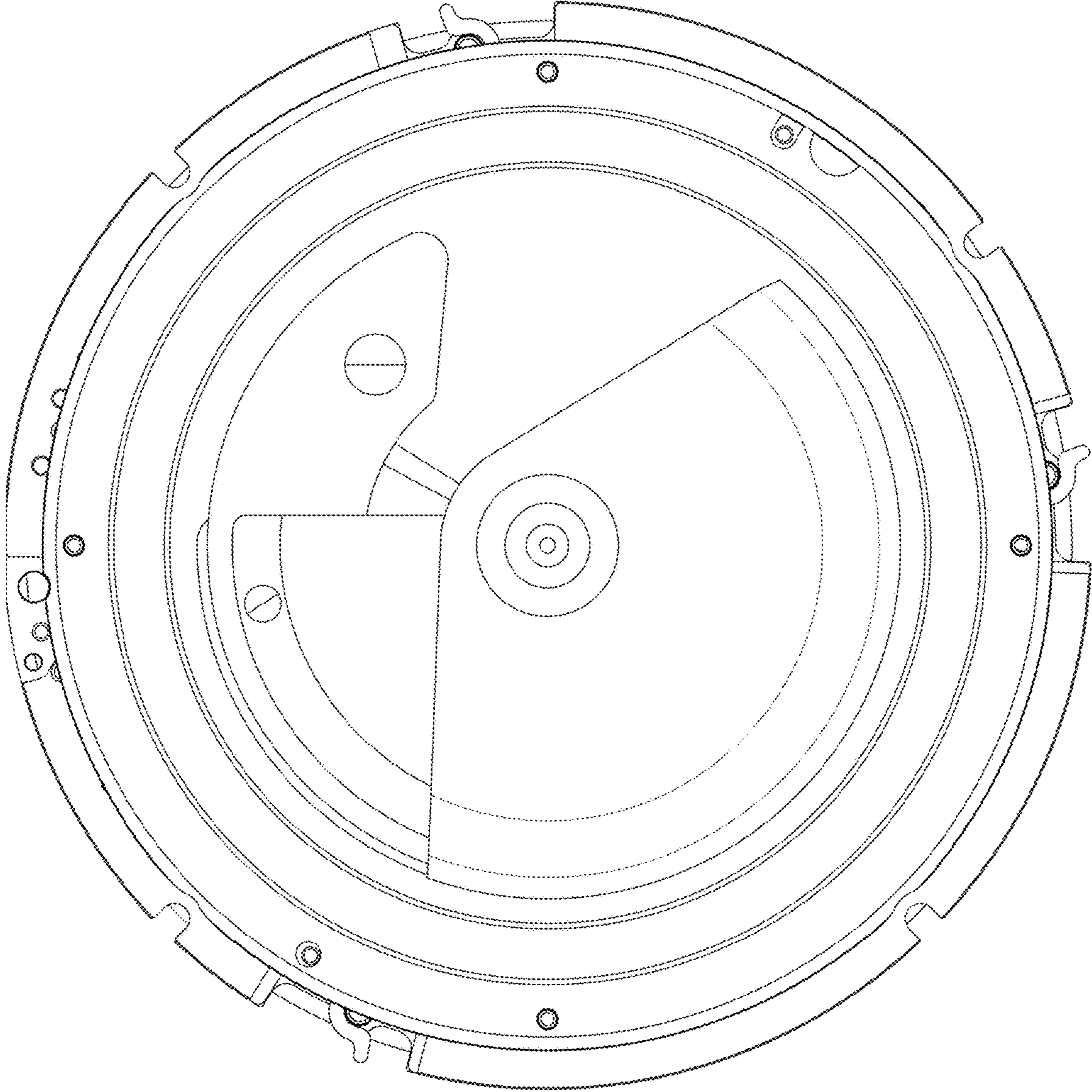
1 Claim, 11 Drawing Sheets



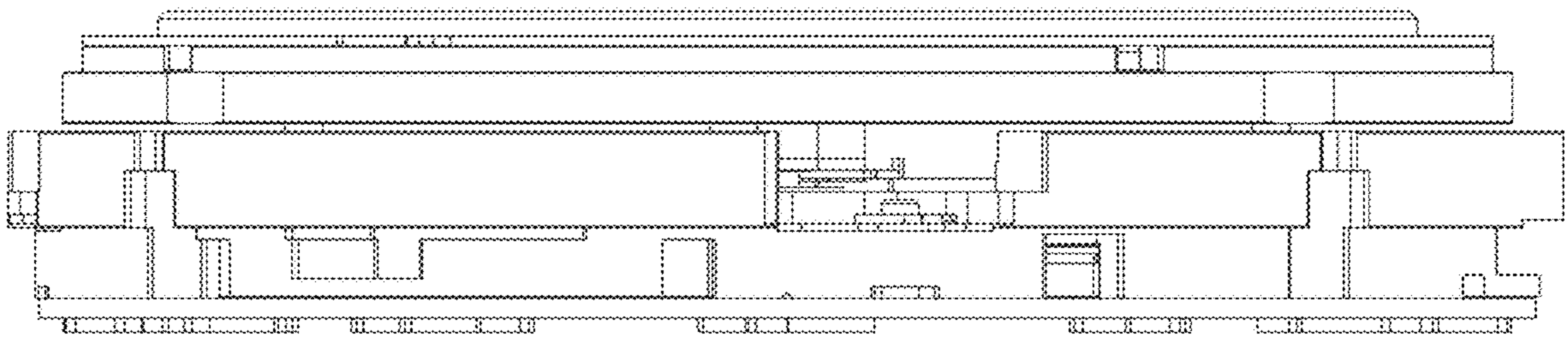
1.1



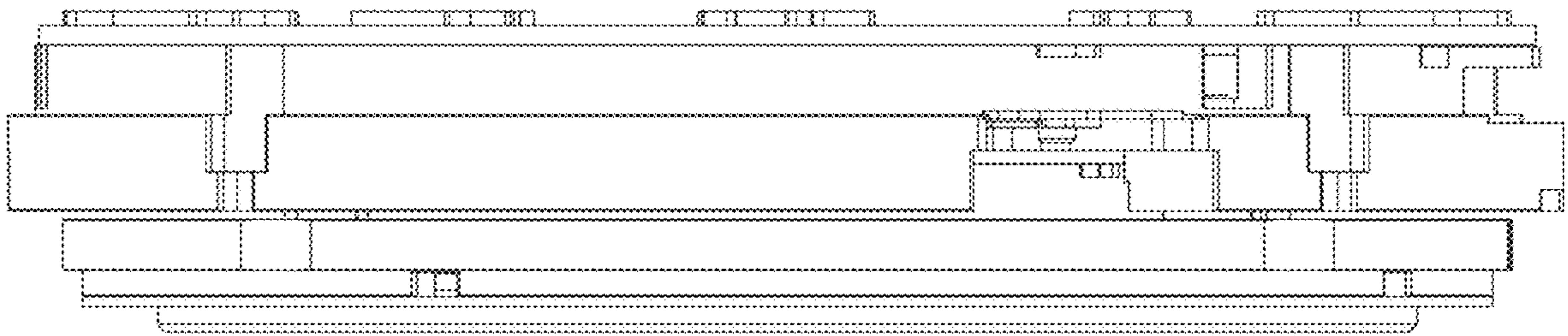
1.2



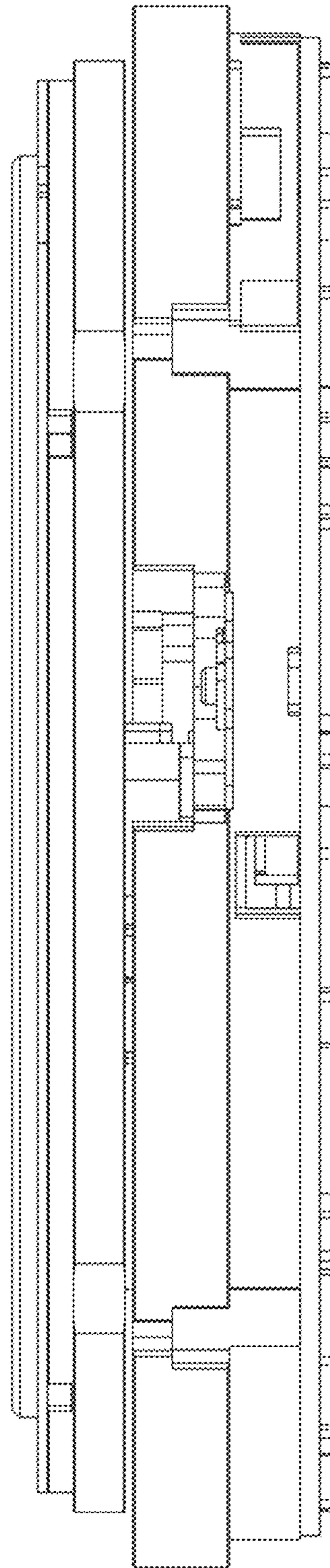
1.3



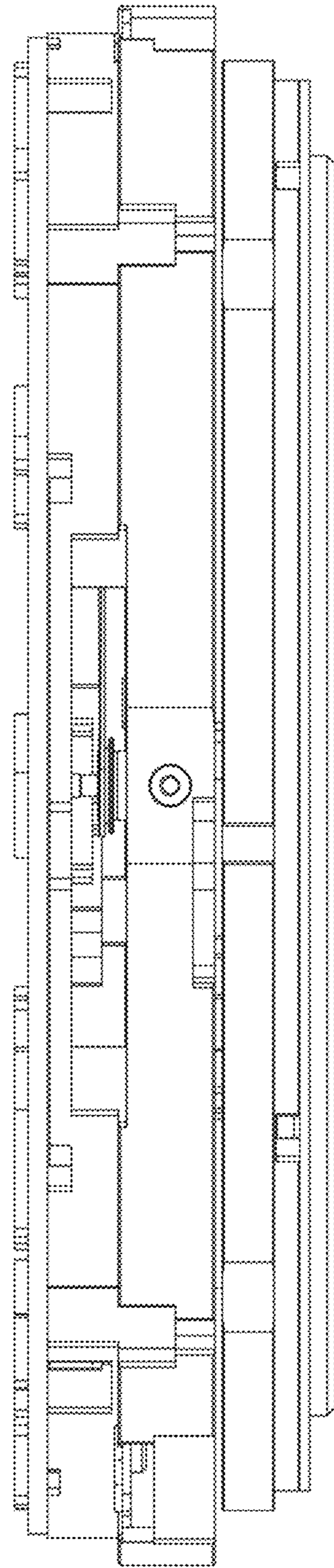
1.4



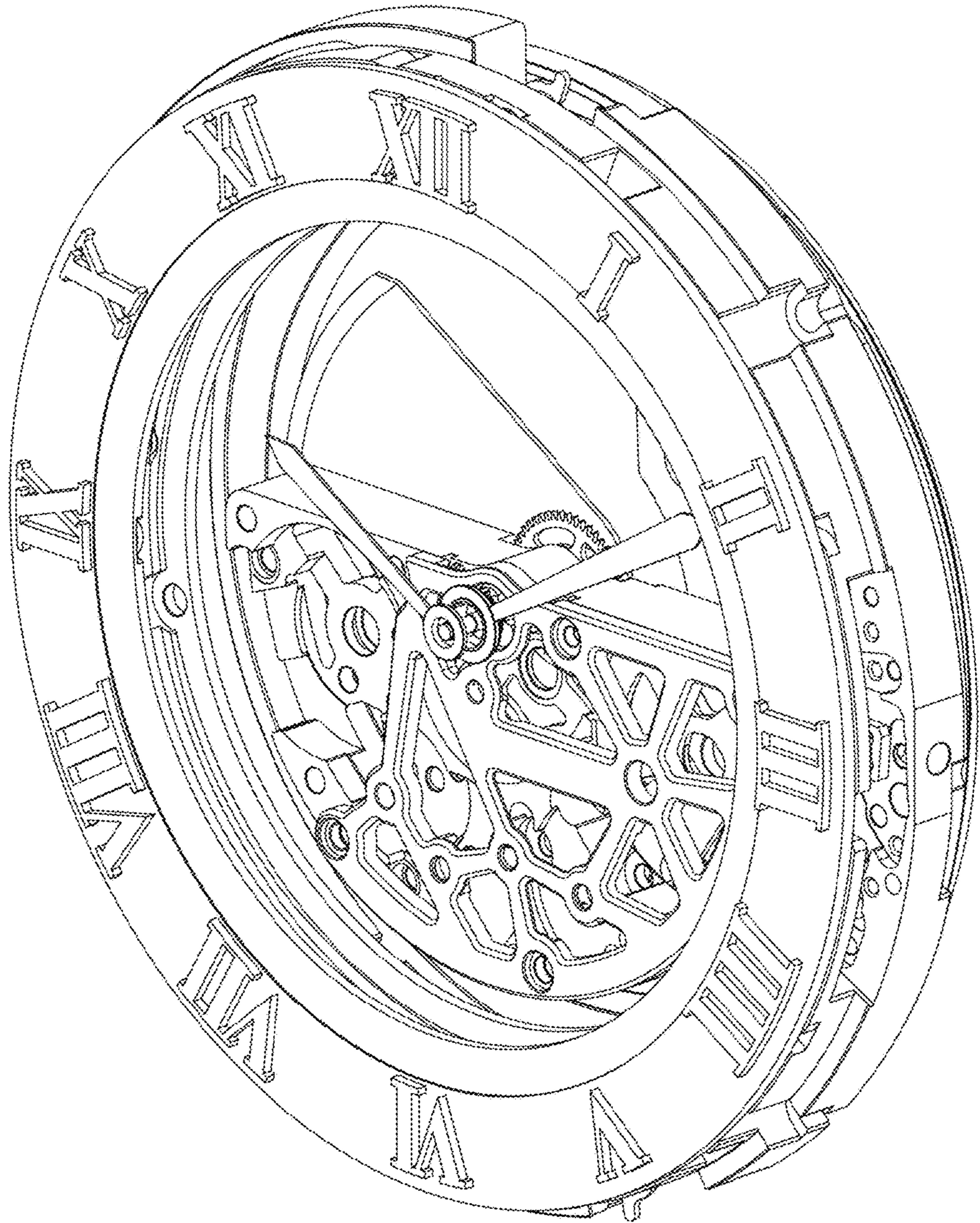
1.5



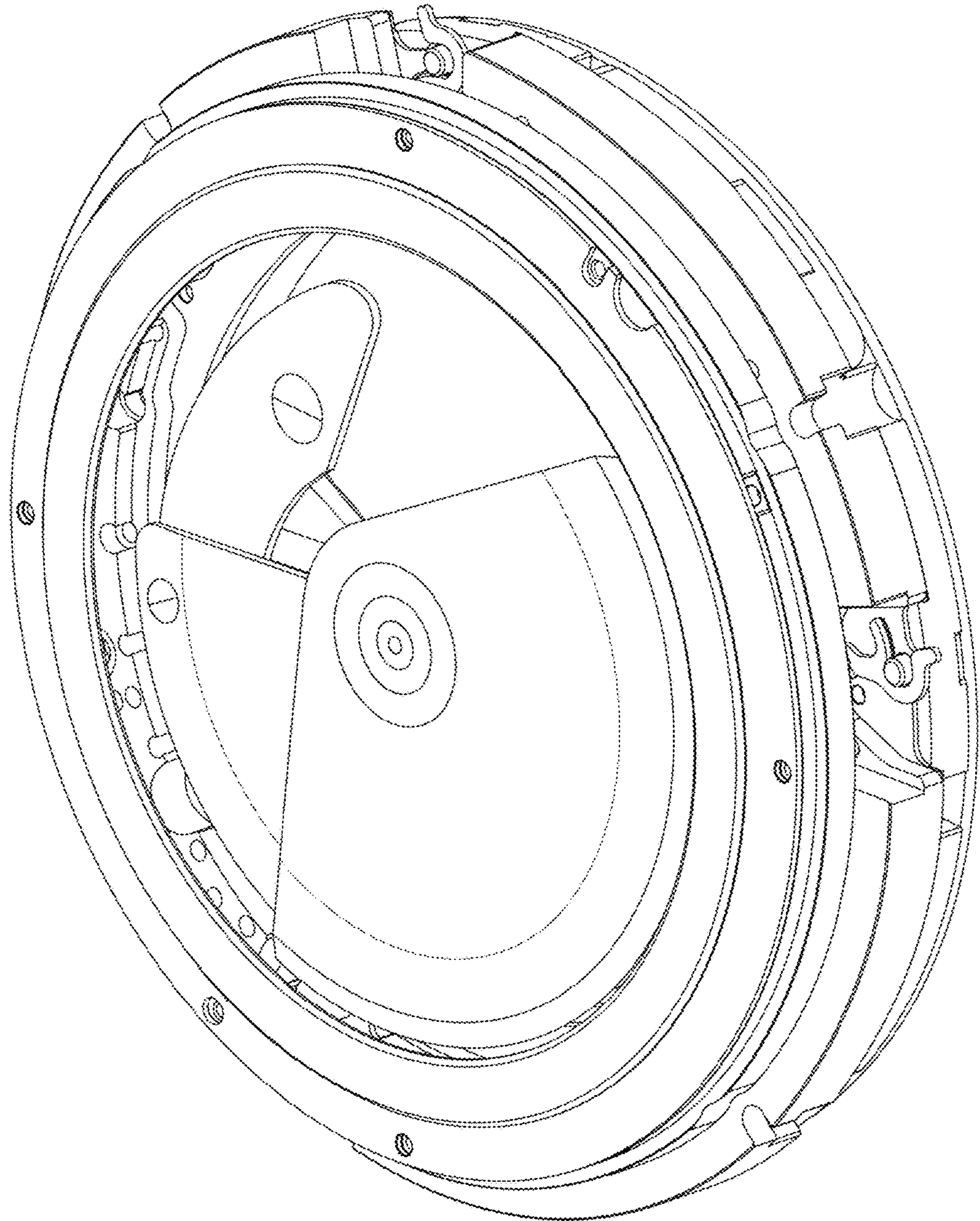
1.6



1.7



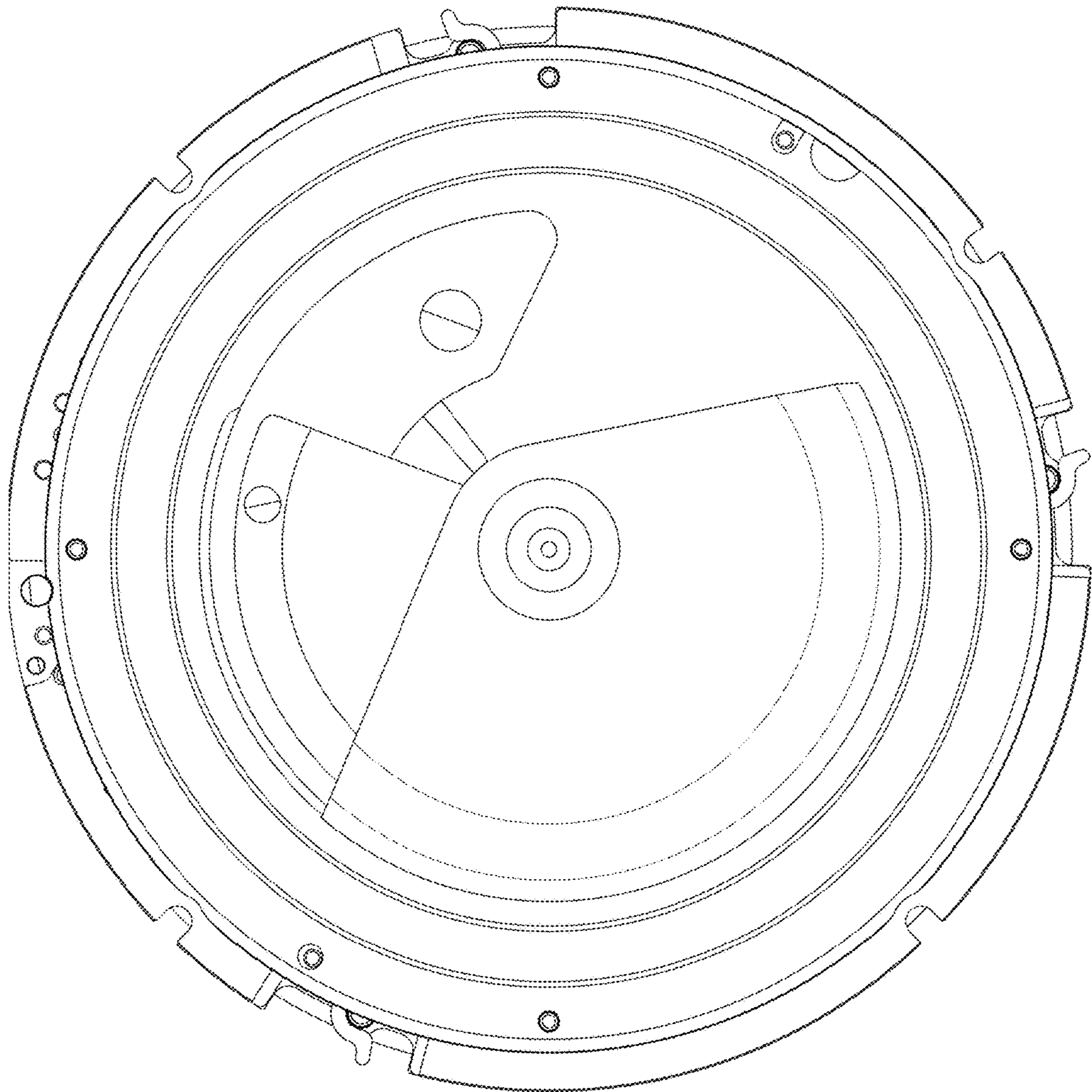
1.8



1.9



1.10



1.11

