



US00D982467S

(12) **United States Design Patent**  
**Lingyun et al.**

(10) **Patent No.:** **US D982,467 S**

(45) **Date of Patent:** **\*\* Apr. 4, 2023**

(54) **CHIME**

(71) Applicants: **Neos Ventures Limited**, London (GB);  
**Tianjin Hualai Technology Co., Ltd.**,  
Tianjin (CN)

(72) Inventors: **Xin Lingyun**, Tianjin (CN); **Anthony Lee Weston**, London (GB)

(\*\*) Term: **15 Years**

(21) Appl. No.: **29/803,834**

(22) Filed: **Aug. 16, 2021**

(30) **Foreign Application Priority Data**

Aug. 13, 2021 (GB) ..... 6154846

(51) **LOC (14) Cl.** ..... **10-06**

(52) **U.S. Cl.**  
USPC ..... **D10/118.2**

(58) **Field of Classification Search**  
USPC ..... D10/49, 56, 104.1, 106.6, 116.1, 118,  
D10/118.2, 120, 121; D13/169; D14/159  
CPC ..... G08B 3/00; G08B 6/00; G08B 3/1008;  
H04N 7/186; H04M 11/025; H04M  
1/0291

See application file for complete search history.

(56) **References Cited**

**U.S. PATENT DOCUMENTS**

D542,686 S \* 5/2007 Yu ..... D10/120  
D788,603 S \* 6/2017 Liu ..... D10/49  
D864,779 S \* 10/2019 Laurans ..... D10/120  
D877,638 S \* 3/2020 Vardi ..... D10/104.1

D897,879 S \* 10/2020 Yang ..... D10/118.2  
D922,236 S \* 6/2021 Tan ..... D10/118.2  
D957,956 S \* 7/2022 Emby ..... D10/49

**FOREIGN PATENT DOCUMENTS**

CN 201730124569 \* 8/2017  
CN 201830741541.9 \* 8/2019  
CN 201930096507.5 \* 10/2019  
CN 202030474474.6 \* 2/2021  
CN 202130195192.7 \* 8/2021

\* cited by examiner

*Primary Examiner* — George D. Kirschbaum

*Assistant Examiner* — Lillian Windham

(74) *Attorney, Agent, or Firm* — Davis Wright Tremaine  
LLP

(57) **CLAIM**

The ornamental design for a chime, as shown and described.

**DESCRIPTION**

FIG. 1 is a perspective view of a chime showing our new design;

FIG. 2 is a front view thereof;

FIG. 3 is a rear view thereof;

FIG. 4 is a top side view thereof;

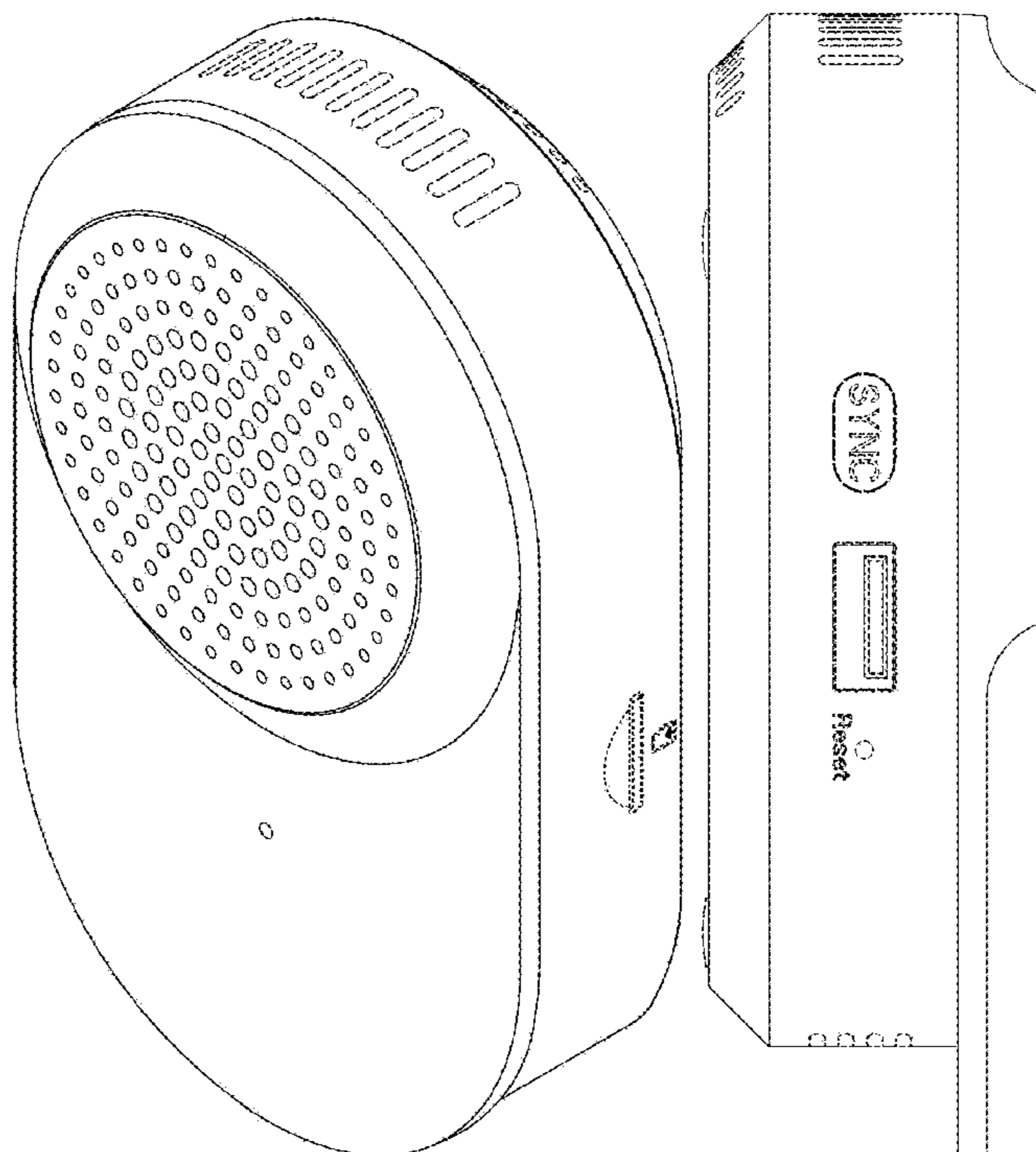
FIG. 5 is a bottom side view thereof;

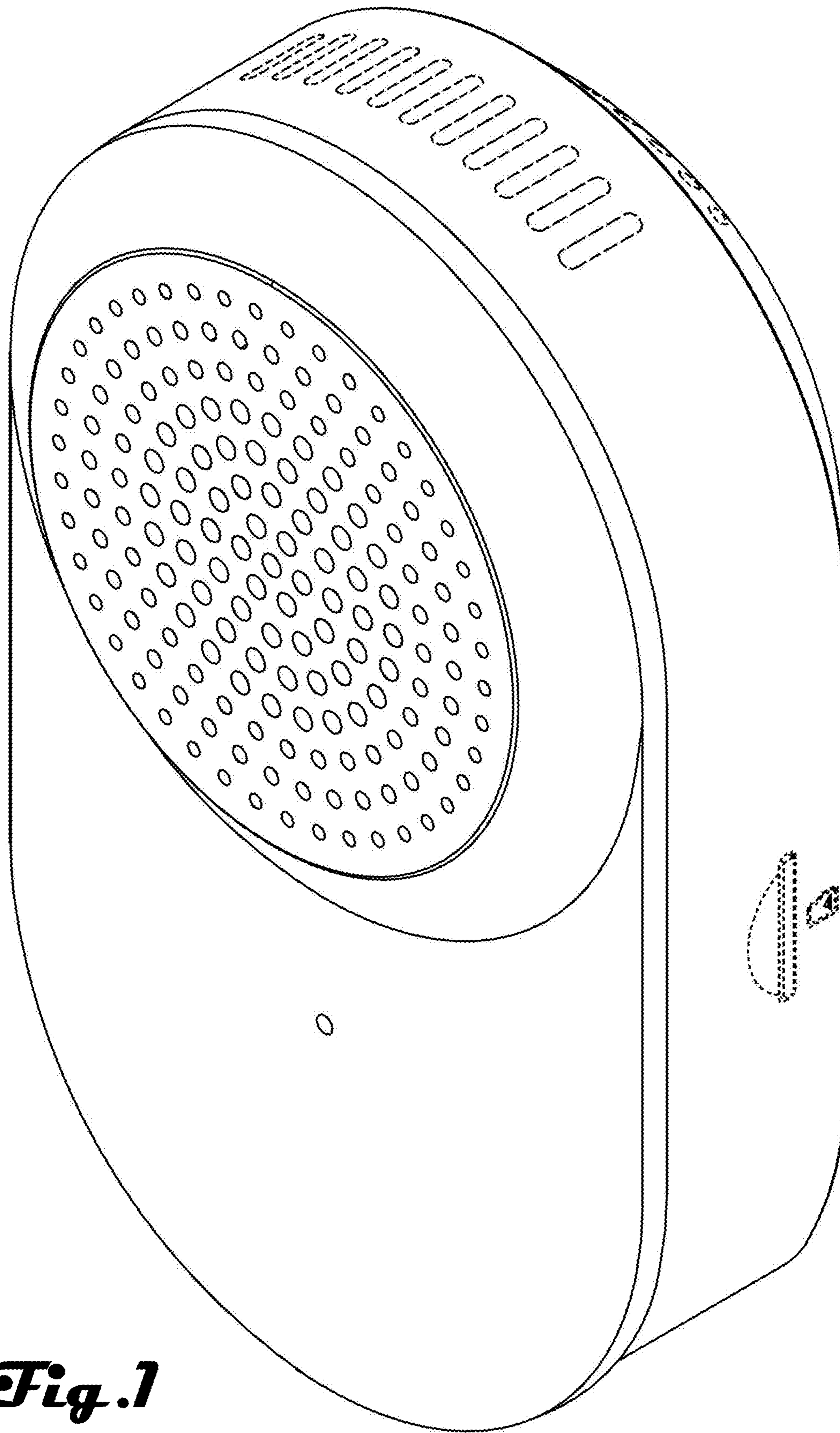
FIG. 6 is a right side view thereof; and,

FIG. 7 is a left side view thereof.

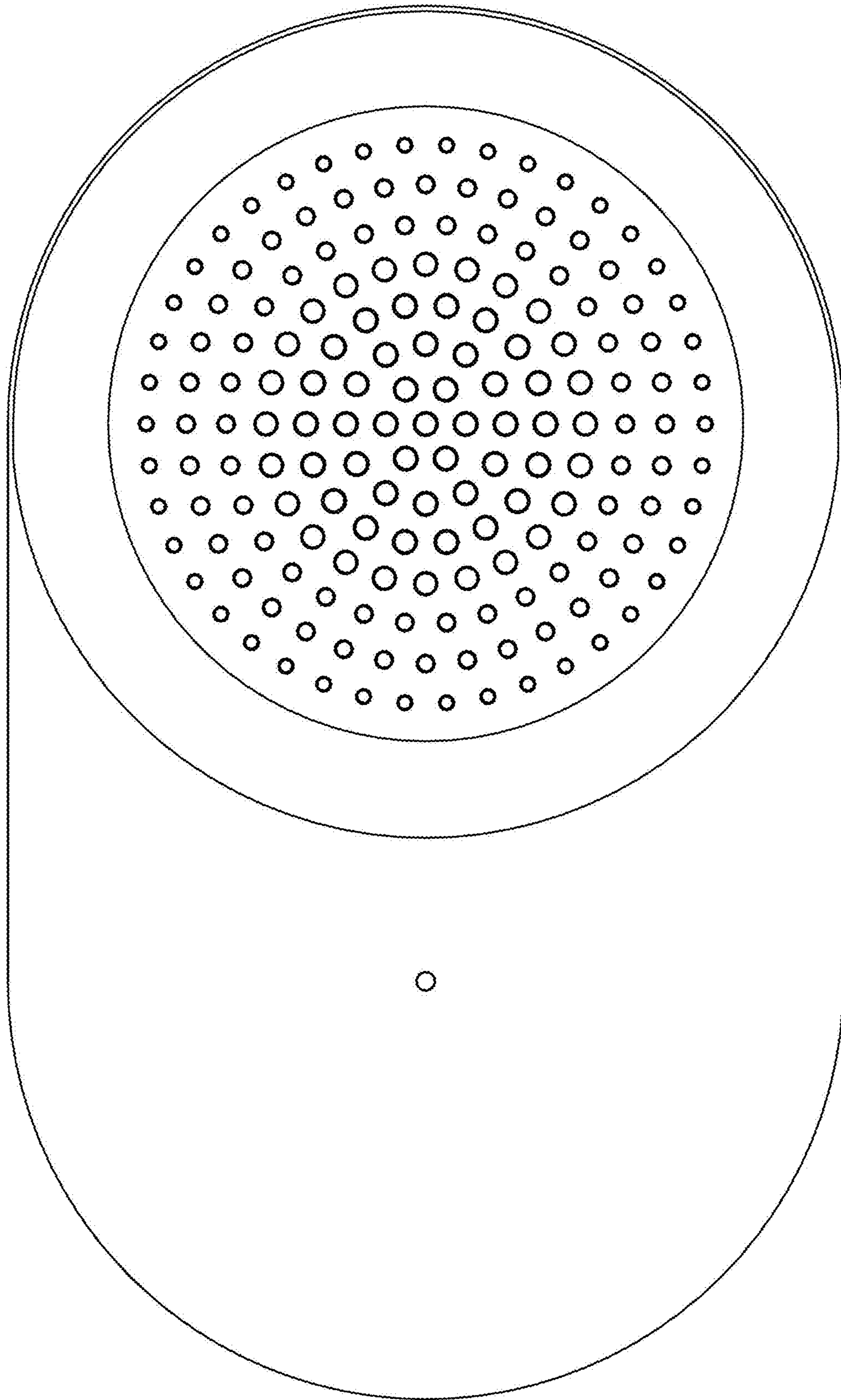
The broken lines shown in the drawings are for the purpose of illustrating portions of the chime that form no part of the claimed design.

**1 Claim, 7 Drawing Sheets**

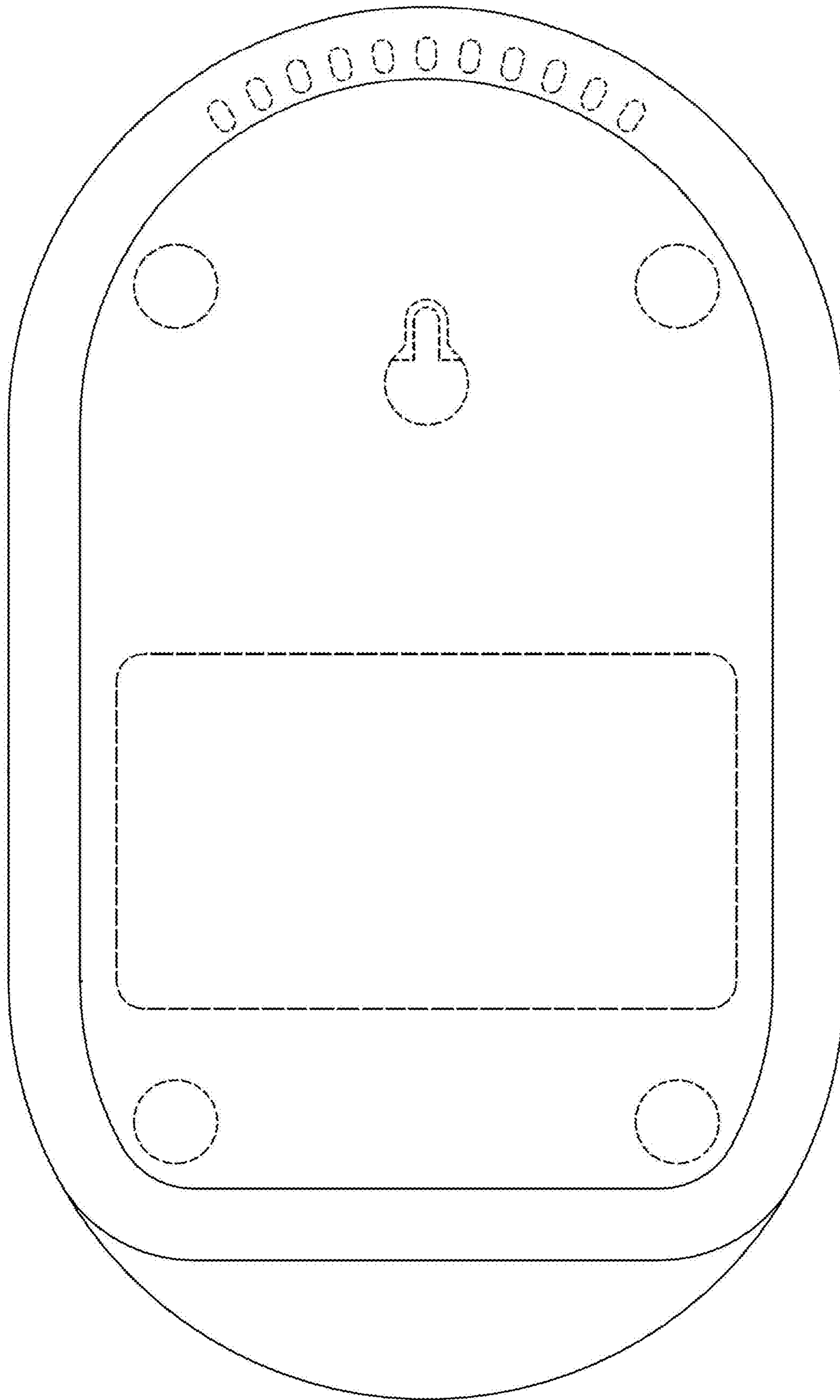




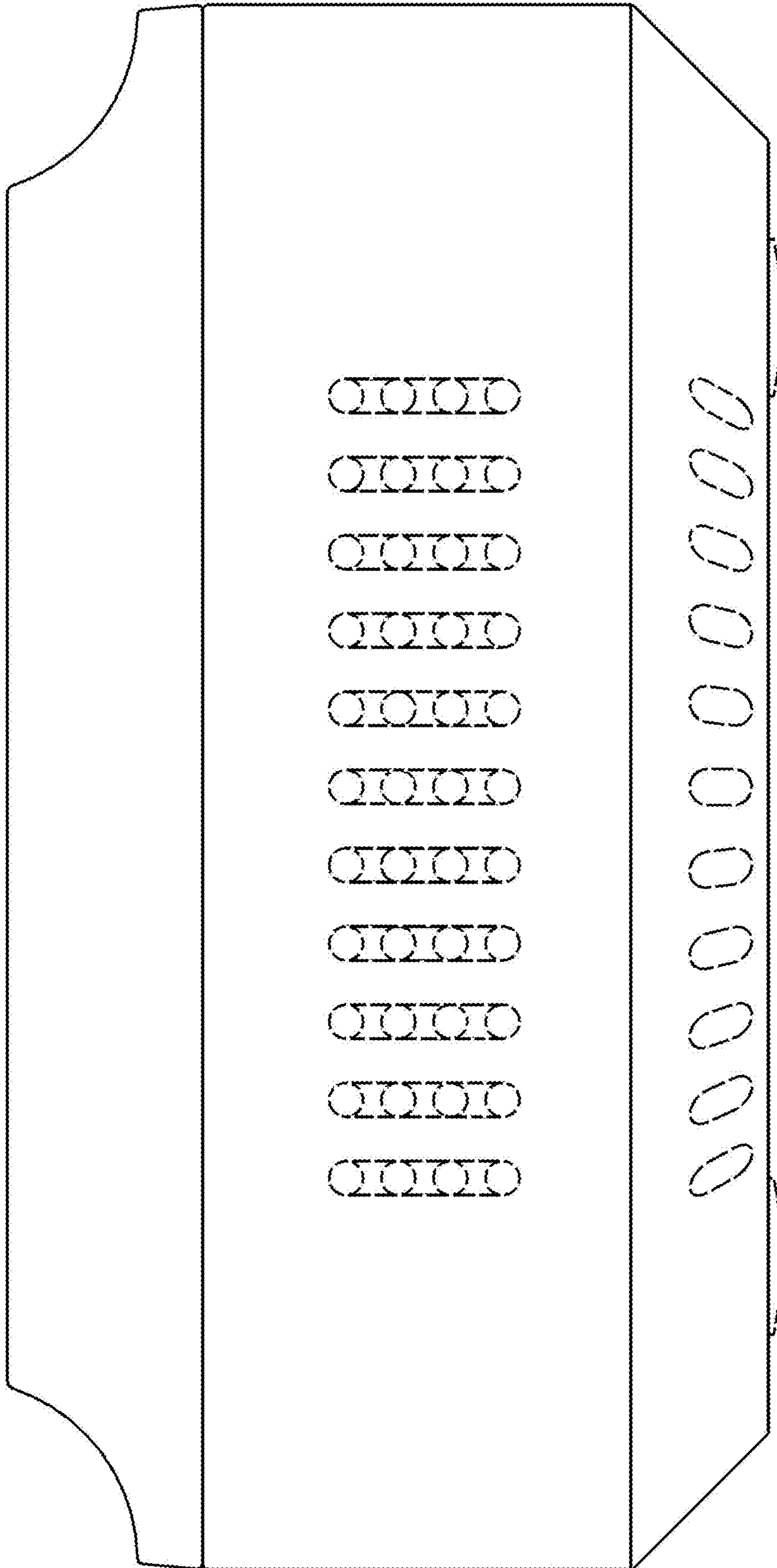
***Fig. 1***



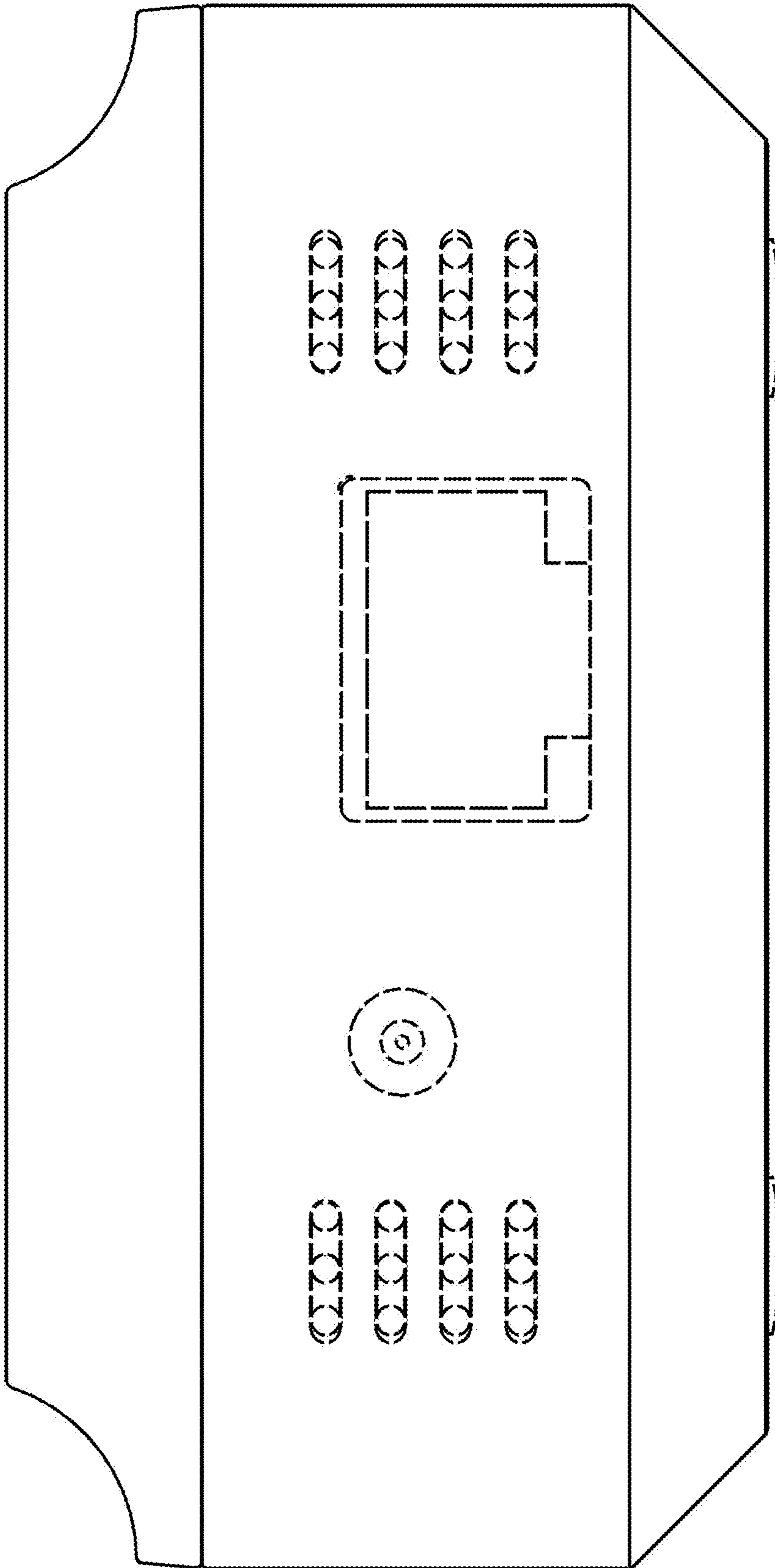
***Fig. 2***



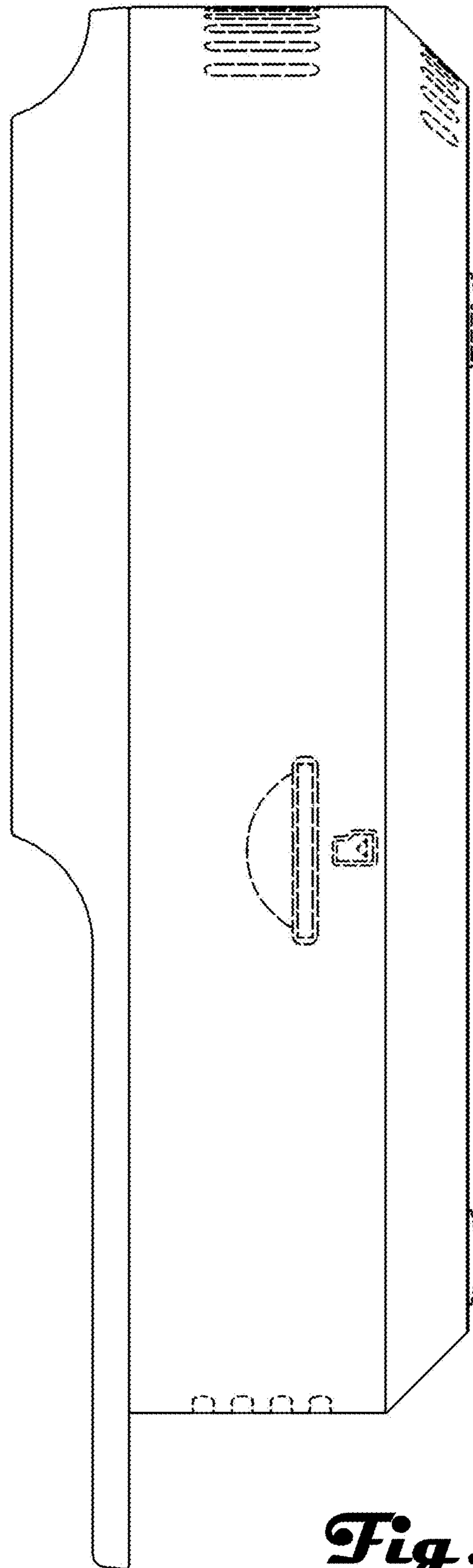
**Fig. 3**



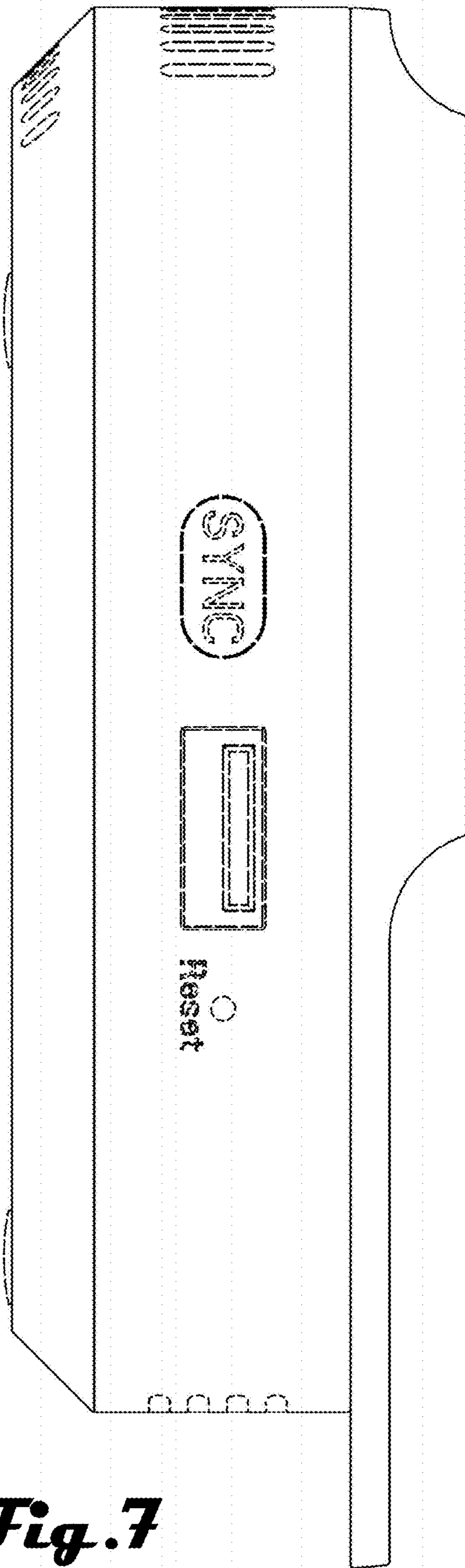
**Fig. 4**



**Fig. 5**



**Fig. 6**



**Fig. 7**