



US00D982465S

(12) **United States Design Patent** (10) **Patent No.:** **US D982,465 S**  
**Robotham et al.** (45) **Date of Patent:** **\*\* Apr. 4, 2023**

(54) **NOTIFICATION APPLIANCE**  
(71) Applicant: **Carrier Corporation**, Palm Beach Gardens, FL (US)  
(72) Inventors: **Martin Paul Robotham**, Terra Ceia, FL (US); **Thomas Greenwood**, Bradenton, FL (US)  
(73) Assignee: **Carrier Corporation**, Palm Beach Gardens, FL (US)

D216,229 S \* 12/1969 Berns ..... D10/106.1  
D225,380 S † 12/1972 Sanger et al. .... D10/116.1  
D230,361 S \* 2/1974 Missio ..... D10/121  
D242,133 S \* 11/1976 Fitzsimonds ..... D10/106.2  
D247,665 S \* 4/1978 Larsen ..... D10/106.1  
D256,002 S † 7/1980 Price ..... D14/221  
D256,897 S † 9/1980 Arima ..... D10/106.2  
D261,118 S \* 10/1981 Perhacs, Jr. .... D10/116.1  
D271,089 S \* 10/1983 Mallory ..... D10/106.2  
D271,949 S \* 12/1983 DeChristopher ..... D10/106.2  
D276,029 S † 10/1984 Skarman ..... D10/106.2  
D297,316 S \* 8/1988 Mastro ..... D10/106.2  
D313,195 S \* 12/1990 Memmola ..... D10/120

(Continued)

(\*\*) Term: **15 Years**  
(21) Appl. No.: **29/835,933**  
(22) Filed: **Apr. 22, 2022**

*Primary Examiner* — George D. Kirschbaum  
*Assistant Examiner* — Lillian Windham  
(74) *Attorney, Agent, or Firm* — Carlson, Gaskey & Olds, P.C.

**Related U.S. Application Data**

(63) Continuation-in-part of application No. 29/743,041, filed on Jul. 17, 2020, now Pat. No. Des. 960,741.  
(51) **LOC (14) Cl.** ..... **10-05**  
(52) **U.S. Cl.**  
USPC ..... **D10/104.1**  
(58) **Field of Classification Search**  
USPC ..... D10/104.1, 106.1, 106.2, 106.3, 109.1, D10/109.2, 113.1, 114.1, 114.2, 116.1, D10/120, 121  
CPC ..... H01H 13/00; H01H 13/023; H01H 13/14; H01H 13/56; G10K 7/00; G08B 3/00; G08B 5/36  
See application file for complete search history.

(57) **CLAIM**

The ornamental design for a notification appliance, as shown and described.

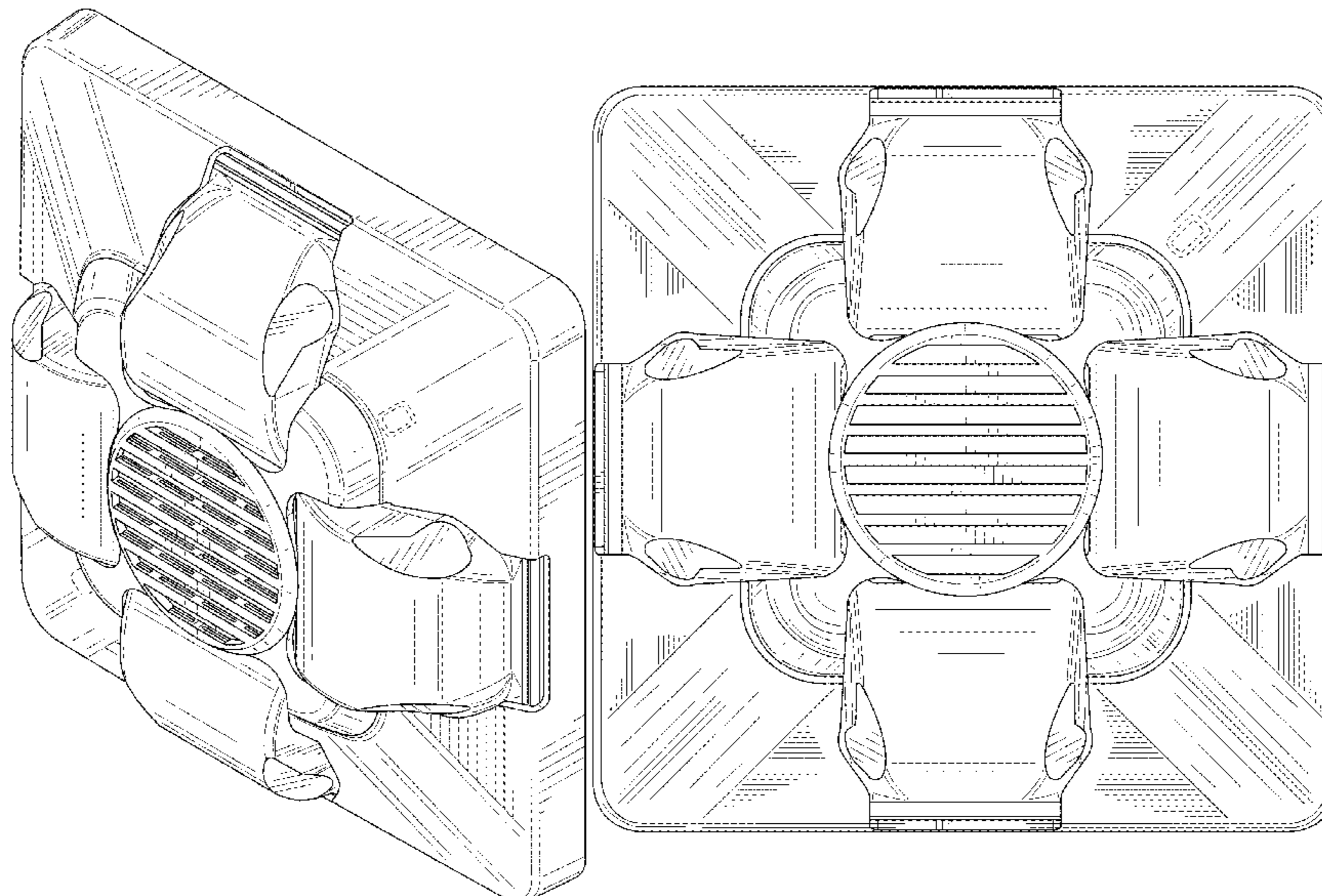
**DESCRIPTION**

FIG. 1 is a perspective view of a notification appliance; FIG. 2 is a front view of the notification appliance of FIG. 1; FIG. 3 is a right side view of the notification appliance of FIG. 1; FIG. 4 is a left side view of the notification appliance of FIG. 1; FIG. 5 is a first end view of the notification appliance of FIG. 1; FIG. 6 is a second end view of the notification appliance of FIG. 1; and, FIG. 7 is a back view of the notification appliance of FIG. 1. The broken lines illustrate portions of the notification appliance that form no part of the claimed design.

(56) **References Cited**  
U.S. PATENT DOCUMENTS

D115,239 S \* 6/1939 Schwartz ..... D10/116.1  
D213,027 S \* 12/1968 Waiz ..... D10/106.2  
D215,974 S † 11/1969 Berns ..... D10/120  
D215,975 S † 11/1969 Berns ..... D10/120  
D215,976 S \* 11/1969 Berns ..... D10/120

**1 Claim, 6 Drawing Sheets**



(56)

## References Cited

## U.S. PATENT DOCUMENTS

D318,437	S	‡	7/1991	Kojima	.....	D10/106.1
D319,830	S	*	9/1991	Miyai	.....	D14/165
D325,356	S	*	4/1992	Kin Man Tse	.....	D10/106.1
D328,875	S	*	8/1992	Perkins	.....	D23/390
D347,596	S	‡	6/1994	Jackson	.....	D10/106.1
D355,141	S	*	2/1995	Hipchen	.....	D10/104.1
D370,862	S	‡	6/1996	John-Hurlow	.....	D10/106.1
D376,148	S	*	12/1996	Moallemi	.....	D10/116.1
D378,746	S	*	4/1997	Imahori	.....	D10/116.1
D394,820	S	‡	6/1998	Sniadach, Sr.	.....	D10/106.2
D400,460	S	‡	11/1998	Ch	.....	D10/106.1
D401,179	S	*	11/1998	Sone	.....	D10/116.1
D401,523	S	*	11/1998	Baker	.....	D10/106.2
D410,404	S	*	6/1999	Scheibe	.....	D10/118
D414,440	S	‡	9/1999	Ch	.....	D10/106.1
D511,984	S	*	11/2005	Kumagai	.....	D10/104.1
D568,194	S	‡	5/2008	Vojinovic	.....	D10/109.2
D577,301	S	*	9/2008	Johnson	.....	D10/106.1
7,920,053	B2	‡	4/2011	Pattok	.....	G08B 7/06 340/331
D685,278	S	‡	7/2013	Bellier	.....	D10/106.2
D733,601	S	*	7/2015	Solow	.....	D10/121
D746,711	S	*	1/2016	Li	.....	D10/106.1
D750,992	S	*	3/2016	Perez	.....	D10/104.1
D826,757	S	*	8/2018	Thornton	.....	D10/106.1
D830,869	S	*	10/2018	Siminoff	.....	D10/106.1
D842,154	S	*	3/2019	Dimitriadis	.....	D10/106.2
D865,556	S	*	11/2019	Siminoff	.....	D10/106.1
D880,324	S	‡	4/2020	Greenwood	.....	D10/104.1
D884,535	S	‡	5/2020	Greenwood	.....	D10/104.1
D889,296	S	*	7/2020	Loh	.....	D10/106.1
D939,990	S	‡	1/2022	Greenwood	.....	D10/104.1
2020/0124239	A1	‡	4/2020	Greenwood	.....	G08B 17/103

\* cited by examiner

‡ imported from a related application

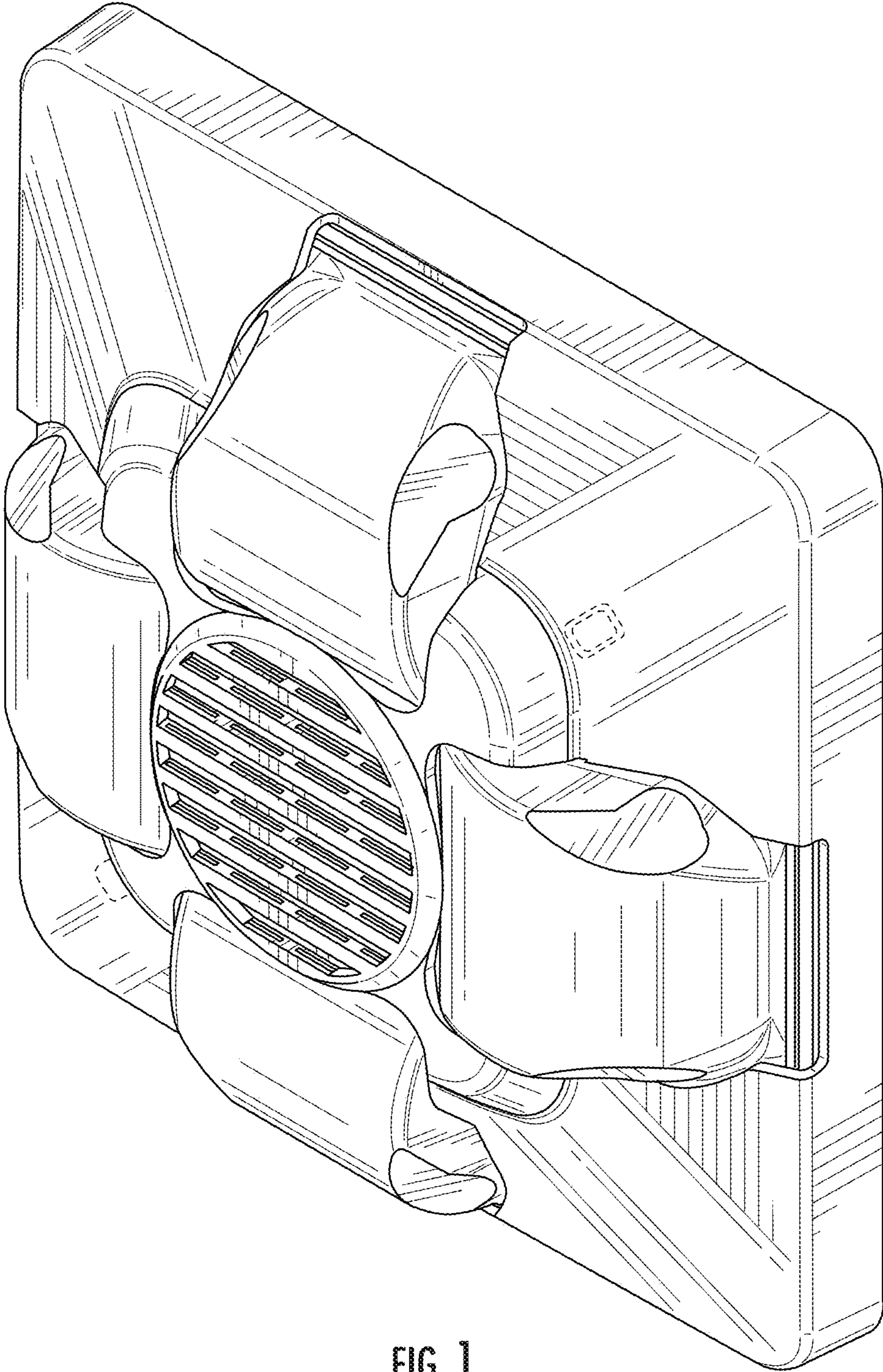


FIG. 1

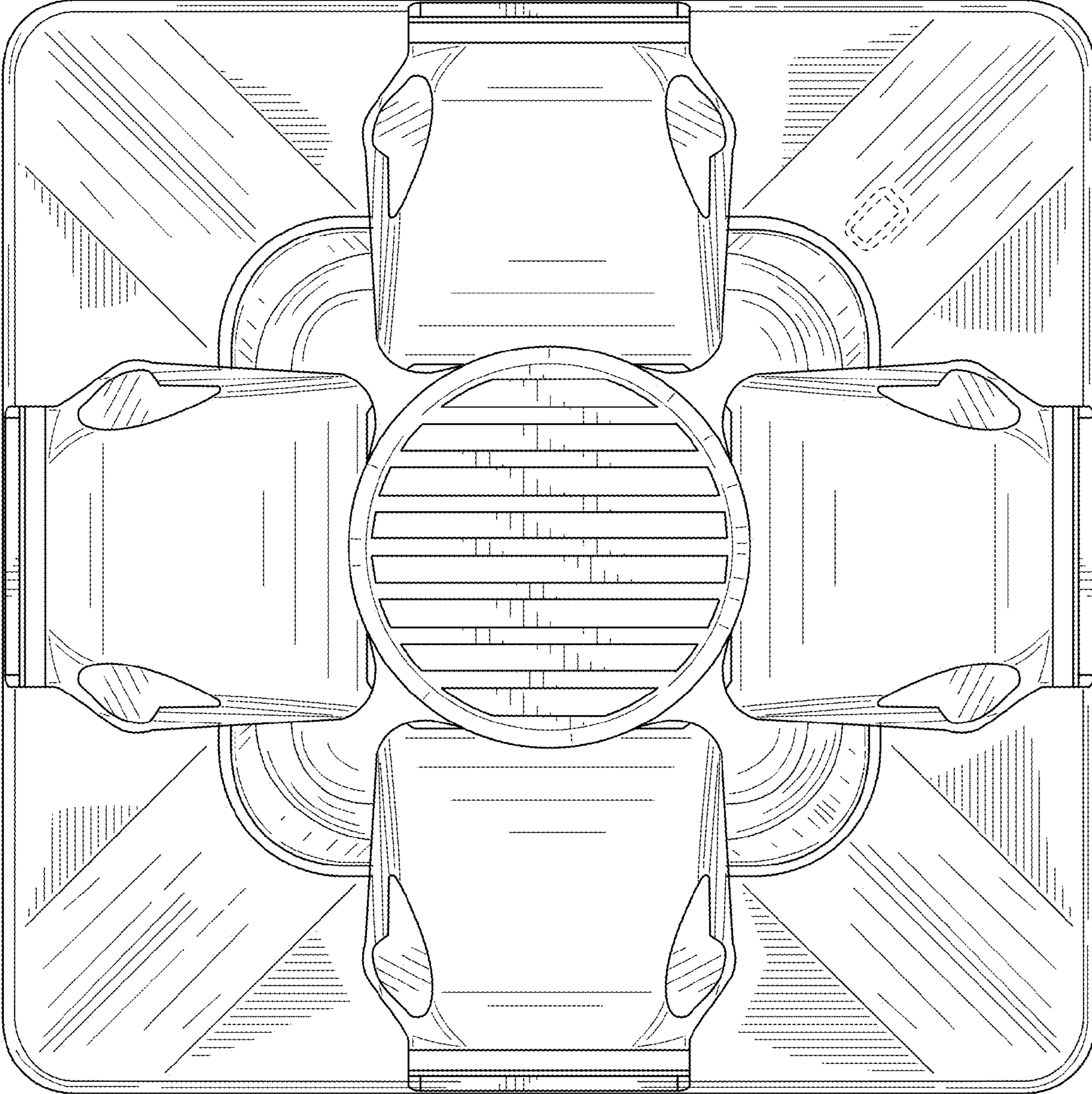


FIG. 2

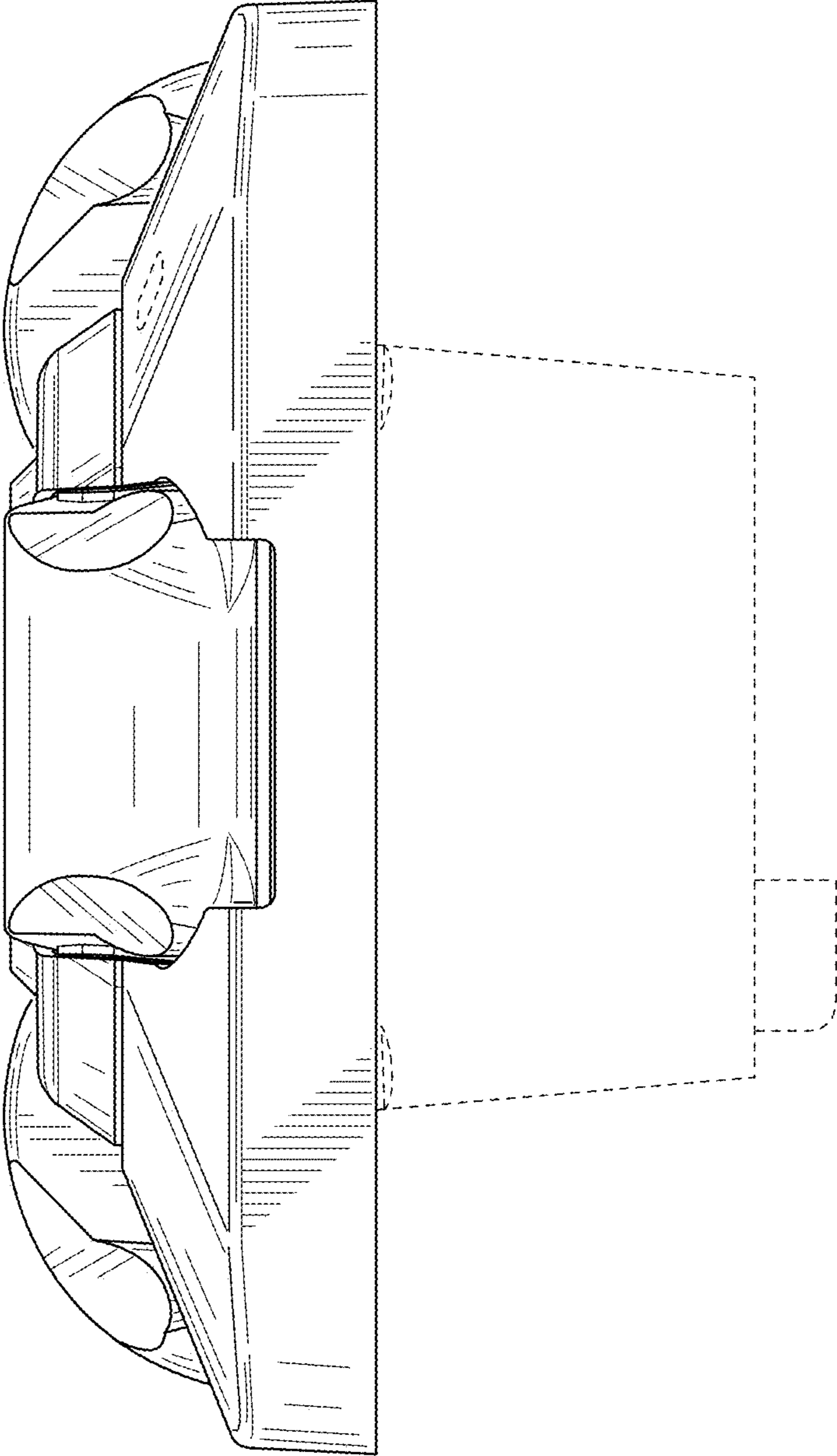


FIG. 3

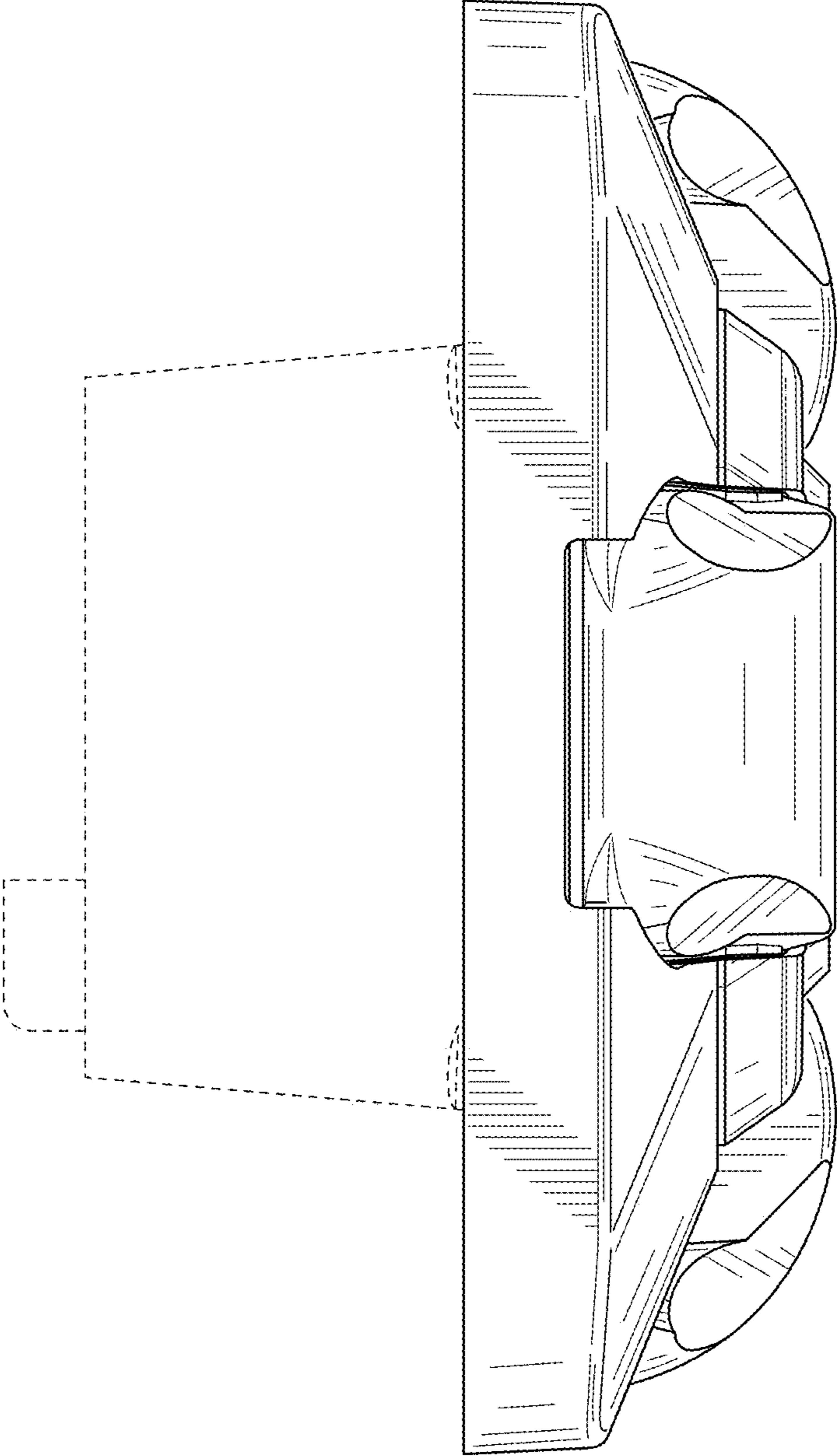


FIG. 4

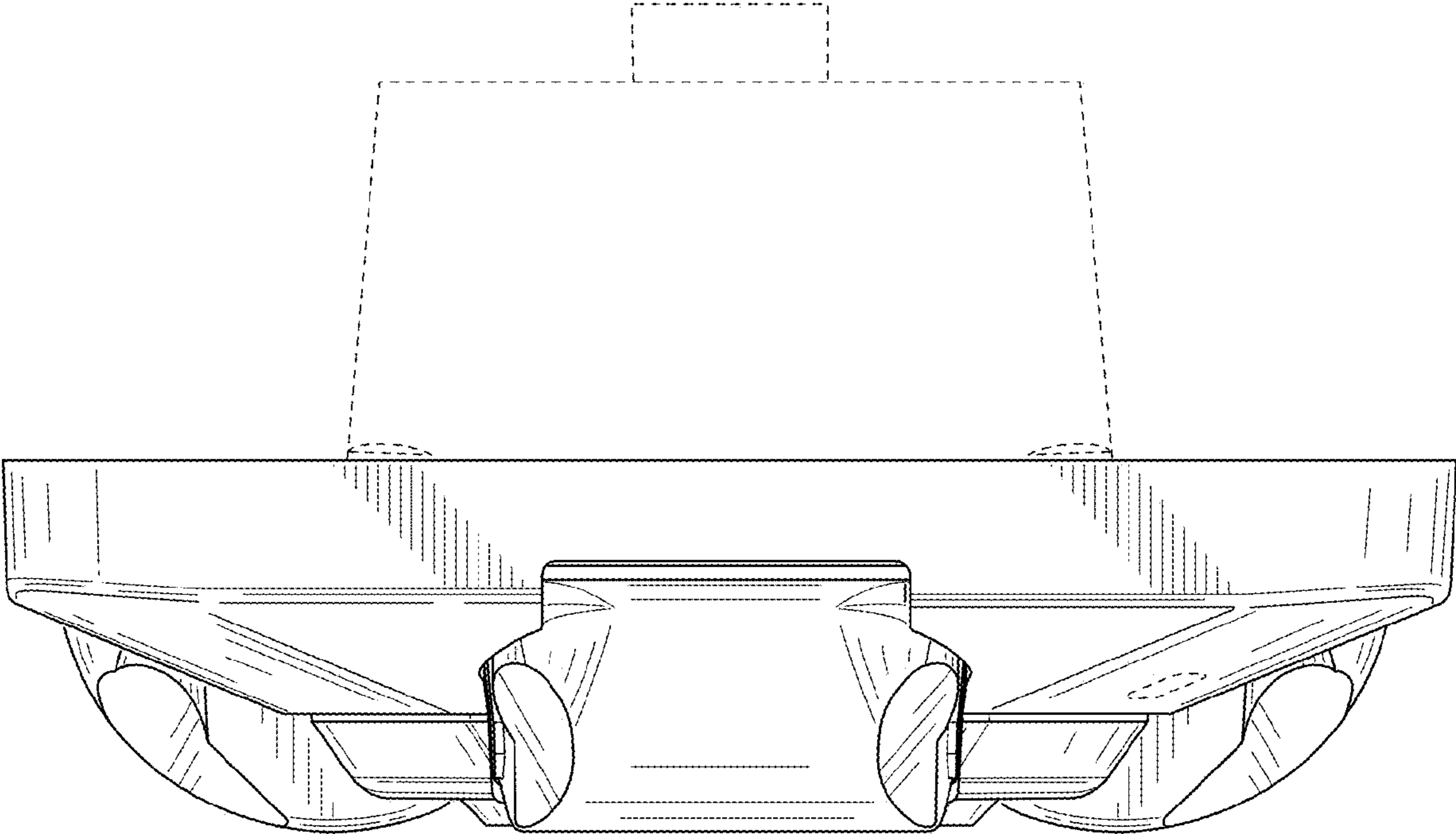


FIG. 5

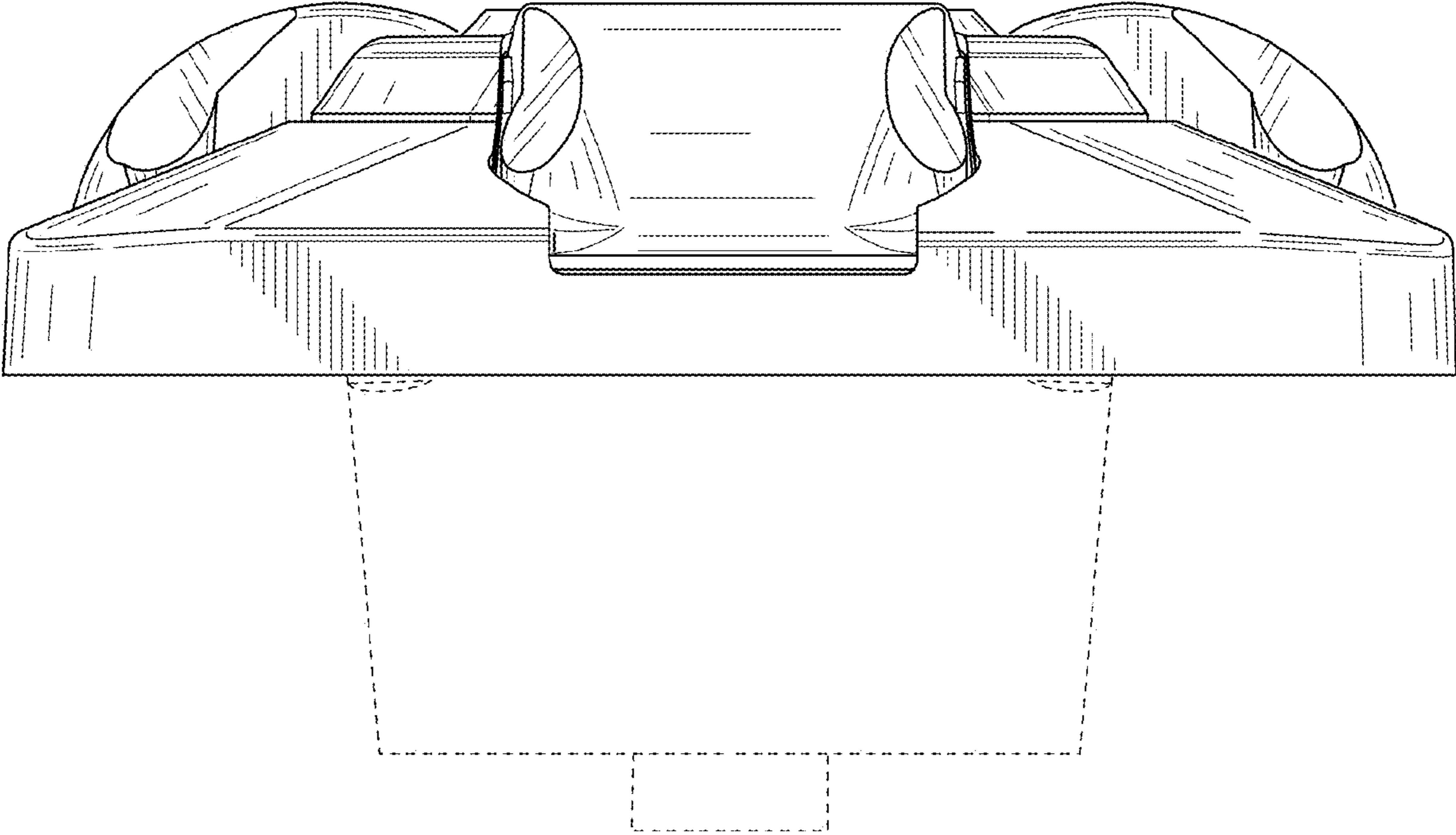


FIG. 6

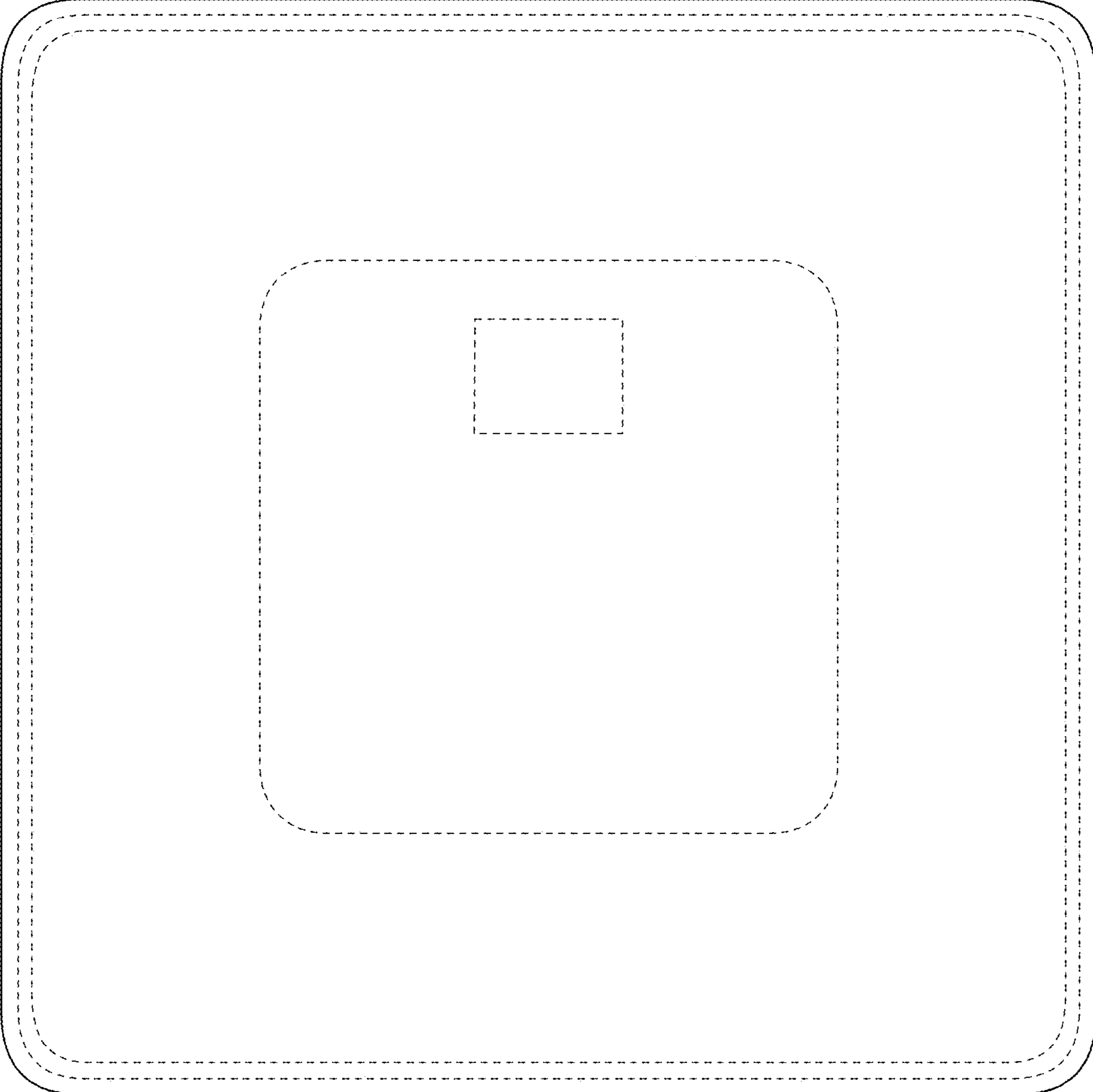


FIG. 7