



US00D982463S

(12) **United States Design Patent**  
**Wojciechowski et al.**

(10) **Patent No.:** **US D982,463 S**  
(45) **Date of Patent:** **\*\* Apr. 4, 2023**

(54) **CARPENTERS SQUARE**  
(71) Applicant: **Johnson Level & Tool Mfg. Co., Inc.**,  
Mequon, WI (US)  
(72) Inventors: **Timothy J. Wojciechowski**, Hubertus,  
WI (US); **David Mencil**, Menomonee  
Falls, WI (US)  
(73) Assignee: **Johnson Level & Tool Mfg. Co., Inc.**,  
Mequon, WI (US)  
(\*\*) Term: **15 Years**

(21) Appl. No.: **29/754,639**  
(22) Filed: **Oct. 13, 2020**  
(51) **LOC (14) Cl.** ..... **10-04**  
(52) **U.S. Cl.**  
USPC ..... **D10/65**  
(58) **Field of Classification Search**  
USPC ..... D10/61-65, 70-74; D18/34.9, 9;  
D24/140  
CPC ..... G01C 1/00; B25H 7/00; B43L 7/0275;  
B43L 7/027; B43L 13/002; B43L 7/10;  
B43L 13/028; B25F 1/00; B27G 5/02  
See application file for complete search history.

(56) **References Cited**  
U.S. PATENT DOCUMENTS  
4,513,510 A \* 4/1985 Swanson ..... B43L 7/00  
D10/65  
5,170,568 A \* 12/1992 Wright ..... B43L 7/0275  
33/476  
D364,574 S \* 11/1995 Utz ..... D10/65  
D369,981 S \* 5/1996 Hayes ..... D10/65  
5,575,074 A 11/1996 Cottongim et al.  
5,727,325 A \* 3/1998 Mussell ..... B43L 7/027  
33/476  
D398,252 S \* 9/1998 Hagen ..... D10/65  
D440,889 S \* 4/2001 Frescas ..... D10/62

D445,700 S \* 7/2001 Mapston ..... D10/65  
D454,080 S \* 3/2002 Aguilar ..... D10/65  
6,688,014 B1 \* 2/2004 Allemand ..... B25H 7/00  
33/476  
D488,730 S \* 4/2004 Pena ..... D10/65  
6,868,616 B2 \* 3/2005 Allemand ..... E04D 15/025  
33/476  
D511,698 S \* 11/2005 Allemand ..... D10/65  
7,114,264 B1 \* 10/2006 Hurley ..... B43L 7/0275  
33/481  
7,398,601 B2 \* 7/2008 Morrell ..... B25H 7/00  
33/429  
D587,606 S \* 3/2009 McMasters ..... D10/65  
D657,701 S \* 4/2012 Martinez ..... D10/65  
D710,221 S \* 8/2014 Buzzell ..... D10/65  
D717,675 S \* 11/2014 Lin ..... D10/65  
D730,760 S \* 6/2015 Weaver ..... D10/65  
9,180,725 B2 \* 11/2015 Lin ..... B43L 7/033

(Continued)

**FOREIGN PATENT DOCUMENTS**

CN 306696870 \* 7/2021  
WO 2004081487 9/2004

*Primary Examiner* — Nicole C Shiflet  
*Assistant Examiner* — Antoinette Martine Suiter  
(74) *Attorney, Agent, or Firm* — Boyle Fredrickson, S.C.

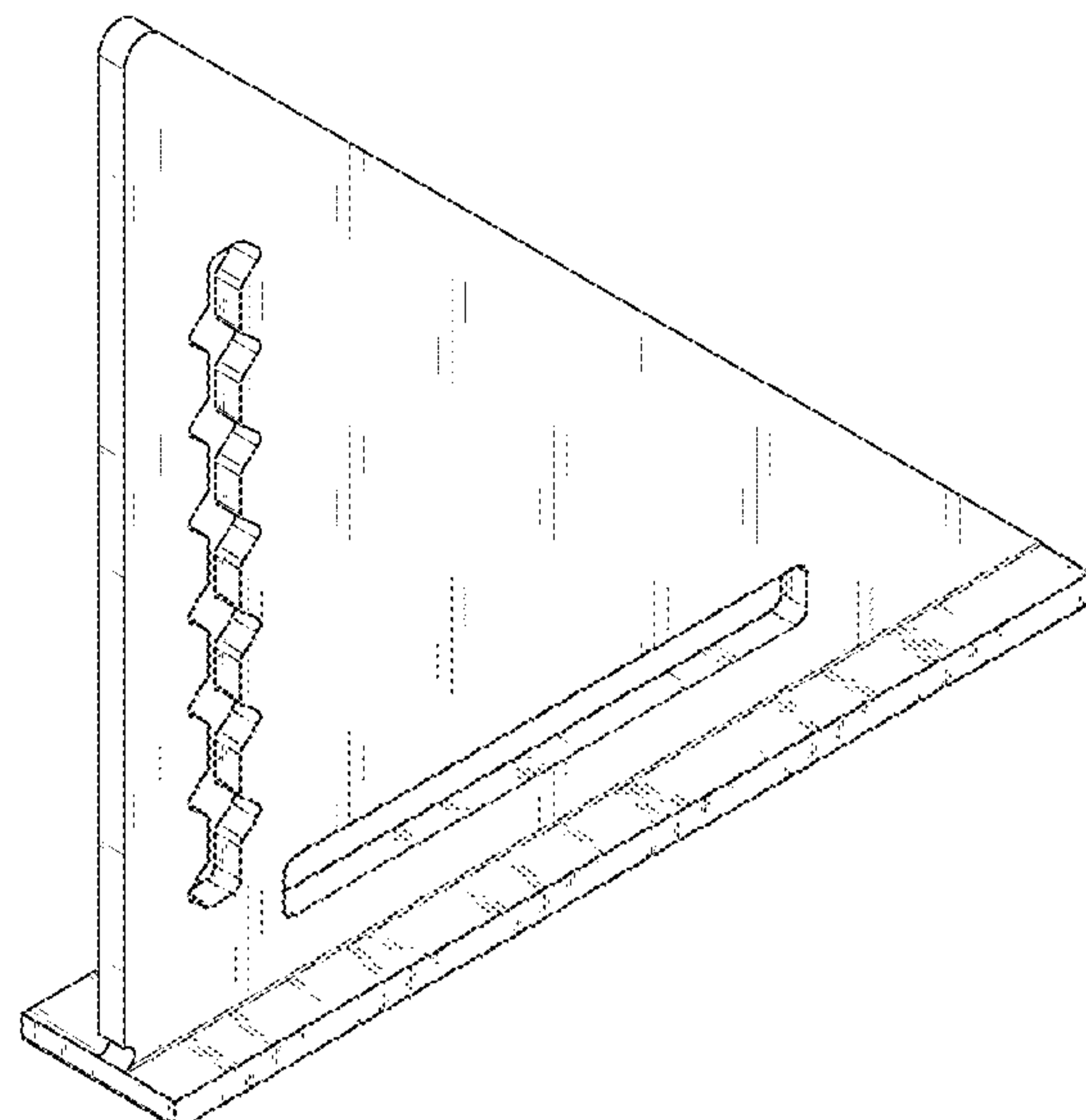
(57) **CLAIM**

The ornamental design of a carpenters square, as shown and described.

**DESCRIPTION**

FIG. 1 is an isometric view of a carpenters square incorporating our new design;  
FIG. 2 is a front elevation view thereof;  
FIG. 3 is a rear elevation view thereof;  
FIG. 4 is a side elevation view thereof;  
FIG. 5 is an opposite side elevation view thereof;  
FIG. 6 is a top plan view thereof; and,  
FIG. 7 is a bottom plan view thereof.

**1 Claim, 7 Drawing Sheets**



(56)

**References Cited**

U.S. PATENT DOCUMENTS

D790,371 S \* 6/2017 Zinkosky, II ..... D10/65  
D797,581 S \* 9/2017 Tinius ..... D10/64  
D837,072 S \* 1/2019 Vera ..... D10/65  
D866,360 S \* 11/2019 Mackey ..... D10/65  
D866,361 S \* 11/2019 Draeger ..... D10/65  
D887,872 S \* 6/2020 Mackey ..... D10/65  
D887,873 S \* 6/2020 Draeger ..... D10/65  
D928,636 S \* 8/2021 Wojciechowski ..... D10/65  
D954,570 S \* 6/2022 Turley ..... D10/65  
2004/0231175 A1 \* 11/2004 Allemand ..... E04D 15/025  
33/429  
2006/0156558 A1 \* 7/2006 Owens ..... B43L 13/028  
33/42  
2011/0108428 A1 \* 5/2011 Christianson ..... G01B 3/566  
205/202  
2013/0227846 A1 \* 9/2013 Buzzell ..... B43L 7/0275  
33/32.2

\* cited by examiner

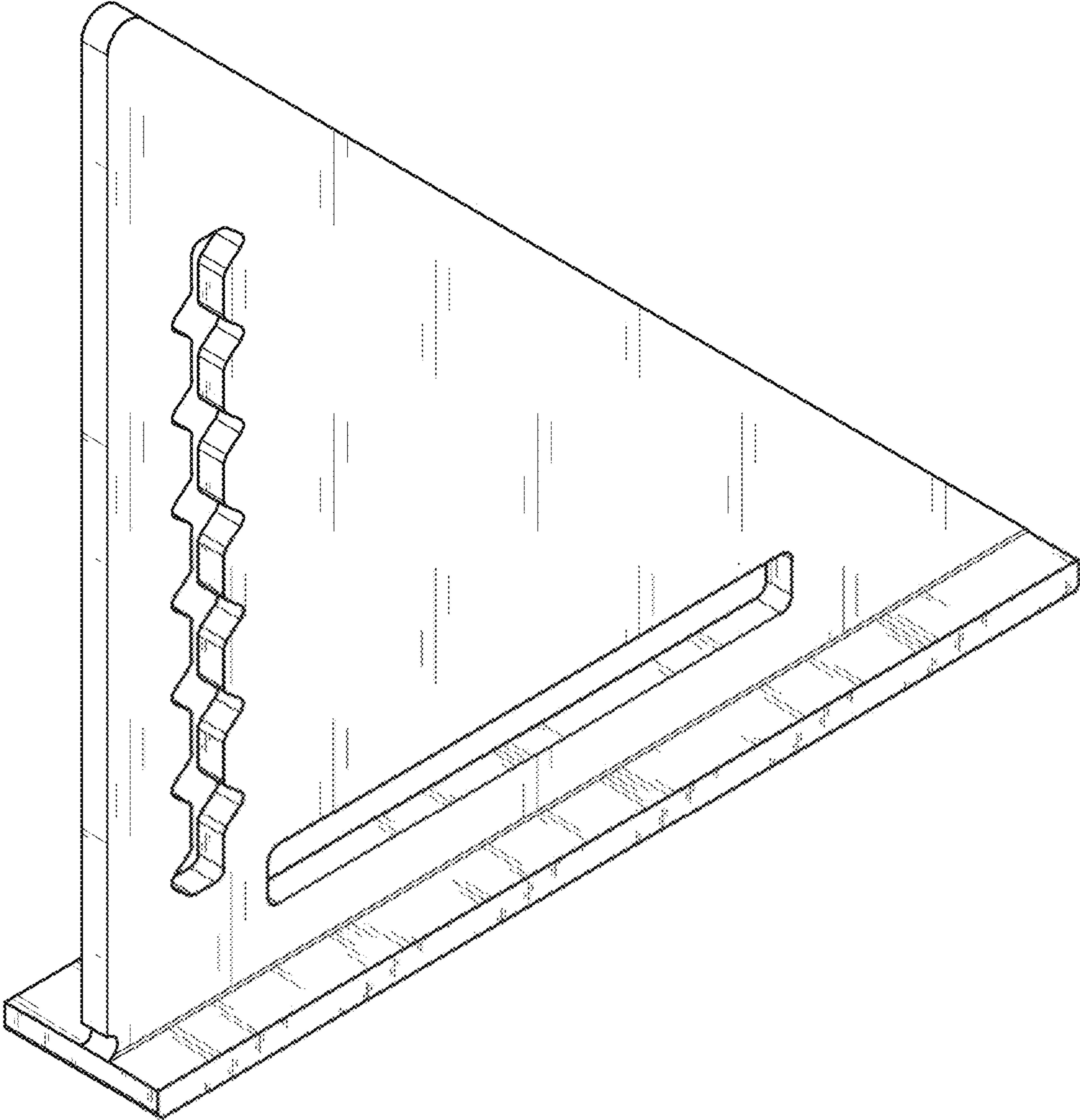


FIG.1

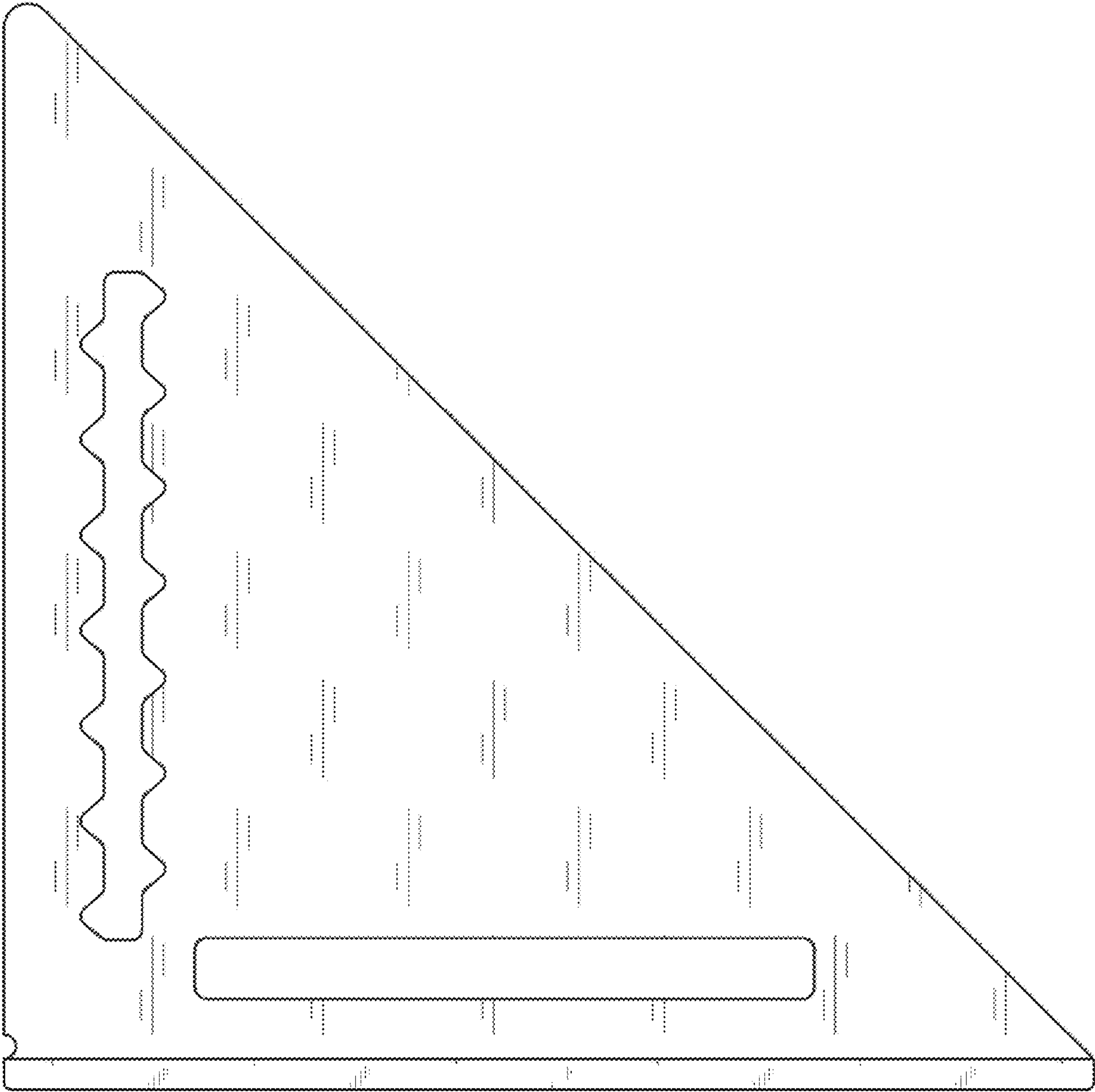


FIG.2

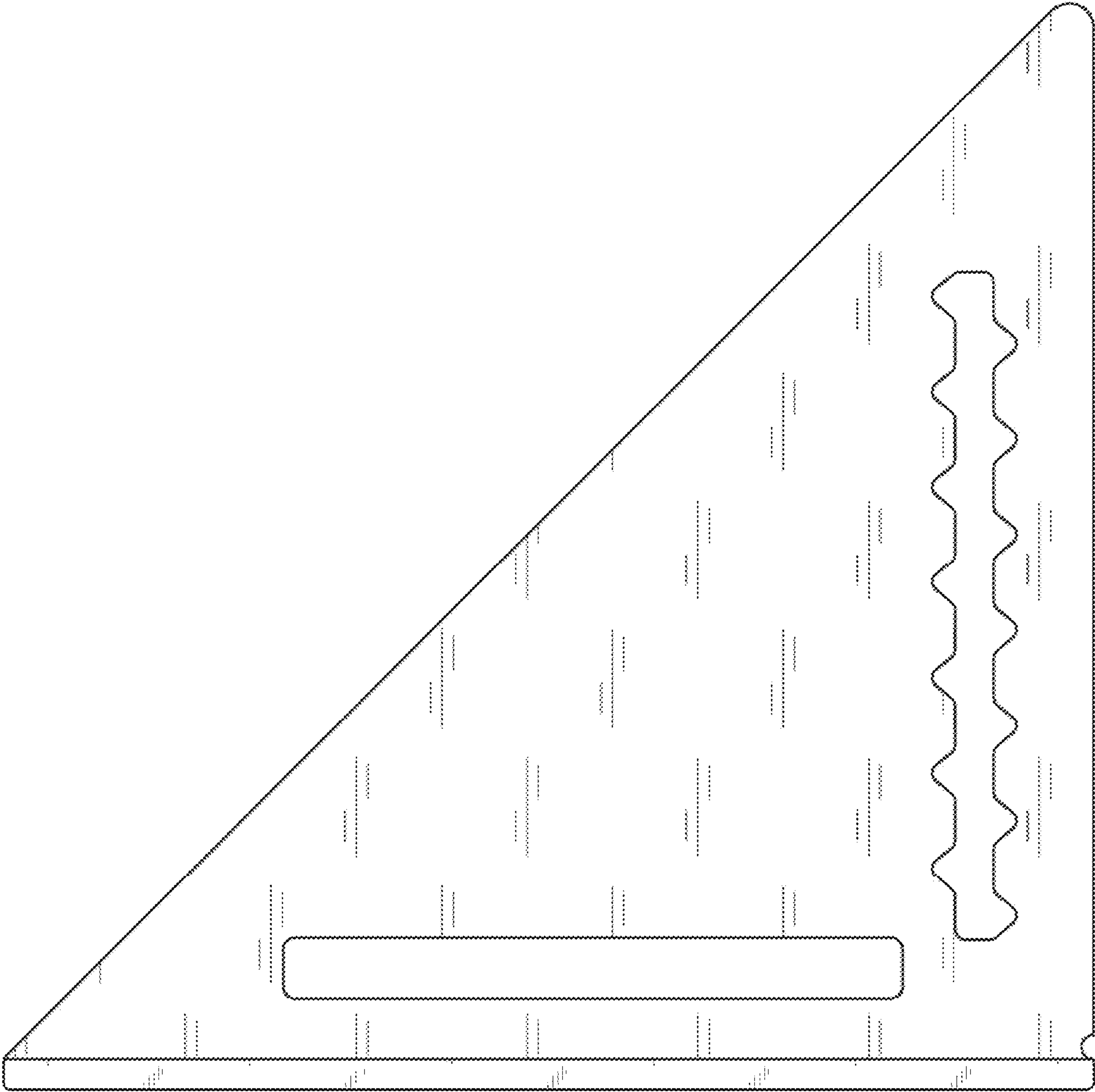


FIG.3

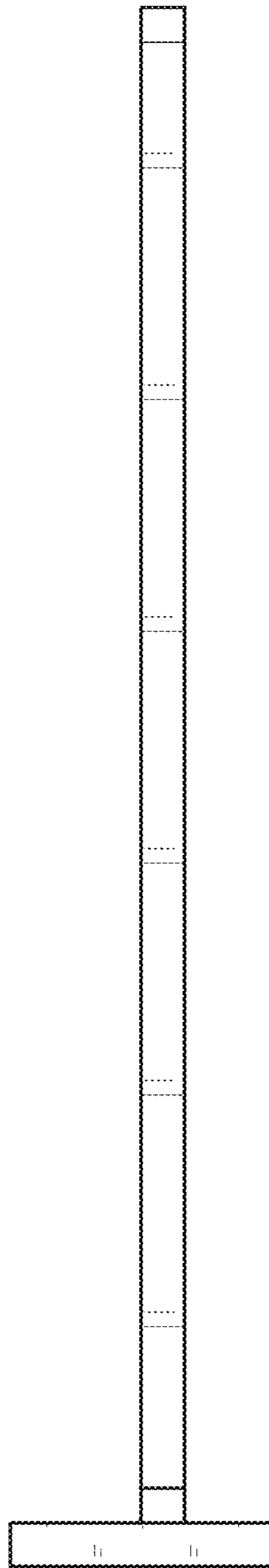


FIG. 4



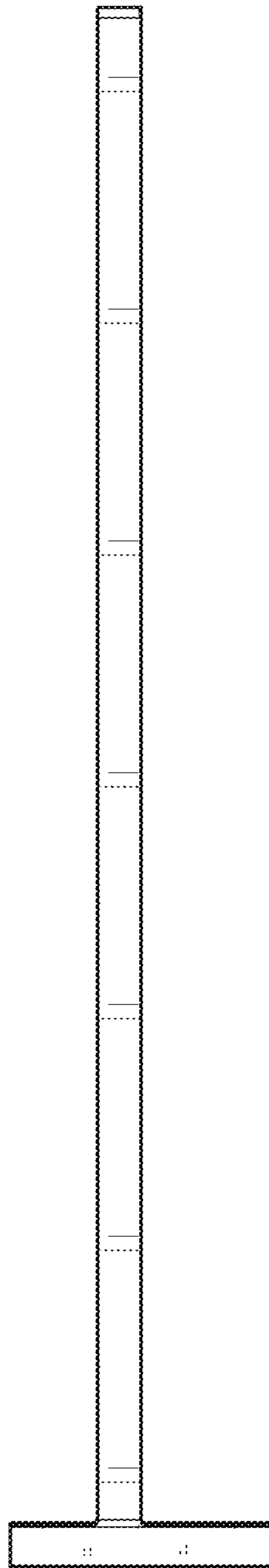


FIG.5

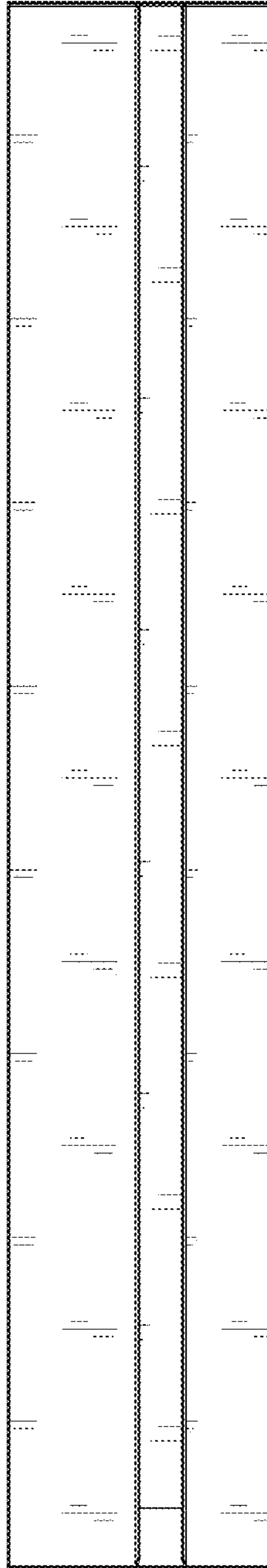


FIG.6



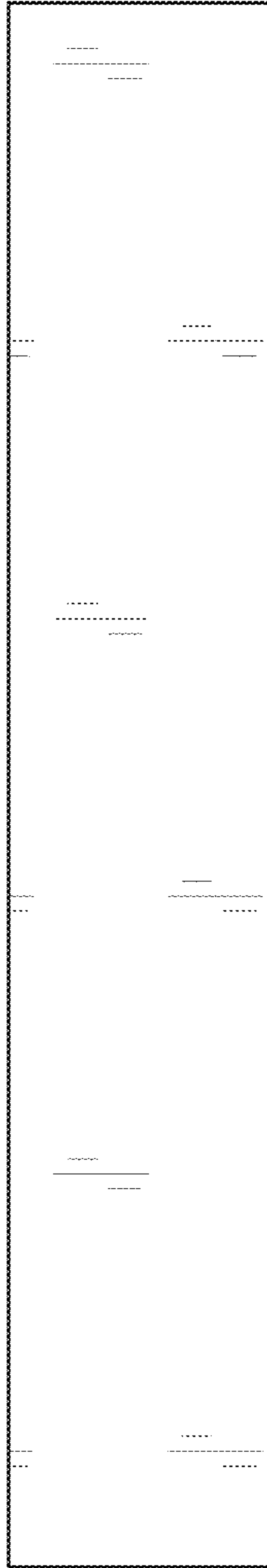


FIG.7