



US00D982462S

(12) **United States Design Patent**
Wojciechowski et al.

(10) **Patent No.:** **US D982,462 S**
(45) **Date of Patent:** **** Apr. 4, 2023**

(54) **CROSSCUT SQUARE**
(71) Applicant: **Johnson Level & Tool Mfg. Co., Inc.**,
Mequon, WI (US)
(72) Inventors: **Timothy J. Wojciechowski**, Hubertus,
WI (US); **David Mencil**, Menomonee
Falls, WI (US)

5,727,325 A * 3/1998 Mussell B43L 7/027
33/476
D398,252 S * 9/1998 Hagen D10/65
D416,210 S * 11/1999 Johnson D10/65
D416,501 S * 11/1999 DiGangi D10/65
D423,957 S * 5/2000 Johnson D10/65
D425,437 S * 5/2000 Defelice D10/65
D440,889 S * 4/2001 Frescas D10/62
D445,700 S * 7/2001 Mapston D10/65

(Continued)

(73) Assignee: **Johnson Level & Tool Mfg. Co., Inc.**,
Mequon, WI (US)

FOREIGN PATENT DOCUMENTS

(**) Term: **15 Years**

CN 306493559 * 4/2021
WO 2004081487 9/2004

(21) Appl. No.: **29/754,635**

Primary Examiner — Nicole C Shiflet

(22) Filed: **Oct. 13, 2020**

Assistant Examiner — Antoinette Martine Suiter

(51) **LOC (14) Cl.** **10-04**

(74) *Attorney, Agent, or Firm* — Boyle Fredrickson, S.C.

(52) **U.S. Cl.**

(57) **CLAIM**

USPC **D10/65**

The ornamental design of a crosscut square, as shown and described.

(58) **Field of Classification Search**

DESCRIPTION

USPC D10/61–65, 70–74; D18/34.9, 9;
D24/140

CPC G01C 1/00; B25H 7/00; B43L 7/0275;
B43L 7/027; B43L 13/002; B43L 7/10;
B43L 13/028; B25F 1/00; B27G 5/02

See application file for complete search history.

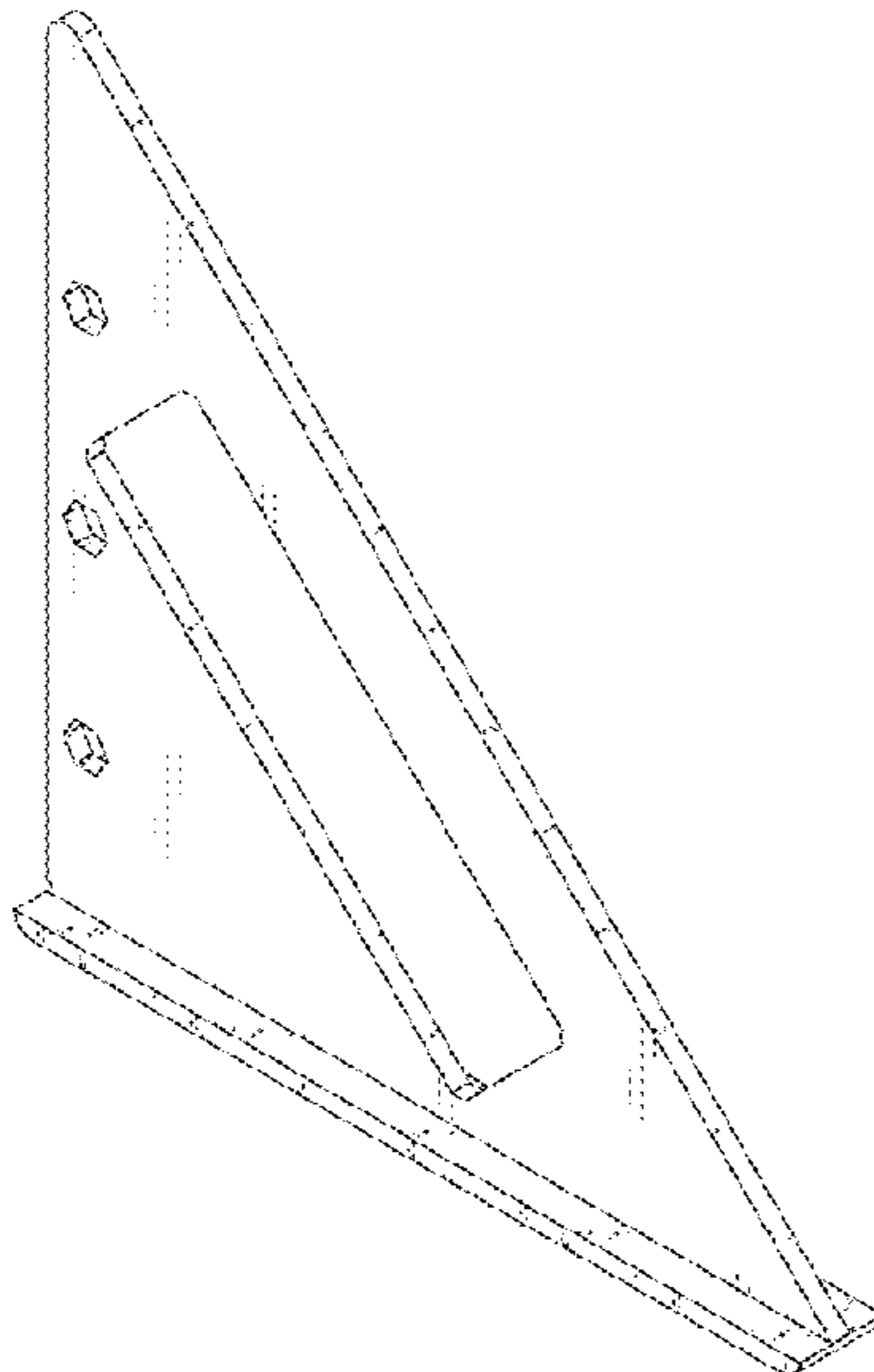
FIG. 1 is an isometric view of a first embodiment of a crosscut square in accordance with our new design;
FIG. 2 is a side elevation view thereof;
FIG. 3 is an opposite side elevation view thereof;
FIG. 4 is an end elevation view thereof;
FIG. 5 is an opposite end elevation view thereof;
FIG. 6 is a top plan view thereof;
FIG. 7 is a bottom plan view thereof;
FIG. 8 is an isometric view of a second embodiment of a crosscut square in accordance with our new design;
FIG. 9 is a side elevation view thereof;
FIG. 10 is an opposite side elevation view thereof;
FIG. 11 is an end elevation view thereof;
FIG. 12 is an opposite end elevation view thereof;
FIG. 13 is a top plan view thereof; and,
FIG. 14 is a bottom plan view thereof.

(56) **References Cited**

U.S. PATENT DOCUMENTS

3,747,217 A * 7/1973 Middelbeek B43L 7/04
D10/62
4,513,510 A * 4/1985 Swanson B43L 7/00
D10/65
4,926,564 A * 5/1990 Loggins B43L 7/0275
D10/65
5,170,568 A * 12/1992 Wright B43L 7/0275
33/476
D364,574 S * 11/1995 Utz D10/65
D369,981 S 5/1996 Hayes et al.
5,575,074 A 11/1996 Cottongim et al.

1 Claim, 14 Drawing Sheets



(56)

References Cited

U.S. PATENT DOCUMENTS

6,688,014 B1 * 2/2004 Allemand B25H 7/00
33/476
D495,614 S * 9/2004 Dickinson D10/65
6,868,616 B2 * 3/2005 Allemand E04D 15/025
33/476
7,114,264 B1 * 10/2006 Hurley B43L 7/0275
33/481
7,398,601 B2 * 7/2008 Morrell B25H 7/00
33/429
D657,701 S * 4/2012 Martinez D10/65
D710,221 S 8/2014 Buzzell
D730,760 S * 6/2015 Weaver D10/65
9,180,725 B2 * 11/2015 Lin B43L 7/033
D757,573 S * 5/2016 Zinkosky, II D10/65
D790,371 S * 6/2017 Zinkosky, II D10/65
D837,072 S * 1/2019 Vera D10/65
D850,302 S * 6/2019 Winans D10/65
D887,872 S * 6/2020 Mackey D10/65
D928,636 S * 8/2021 Wojciechowski D10/65
2004/0231175 A1 * 11/2004 Allemand E04D 15/025
33/429
2006/0156558 A1 * 7/2006 Owens B43L 13/028
33/42
2007/0277387 A1 * 12/2007 Morrell B43L 12/02
33/429
2011/0108428 A1 * 5/2011 Christianson G01B 3/566
205/202
2013/0227846 A1 * 9/2013 Buzzell B43L 7/0275
33/32.2
2022/0234380 A1 * 7/2022 Wolf B43L 7/0275

* cited by examiner

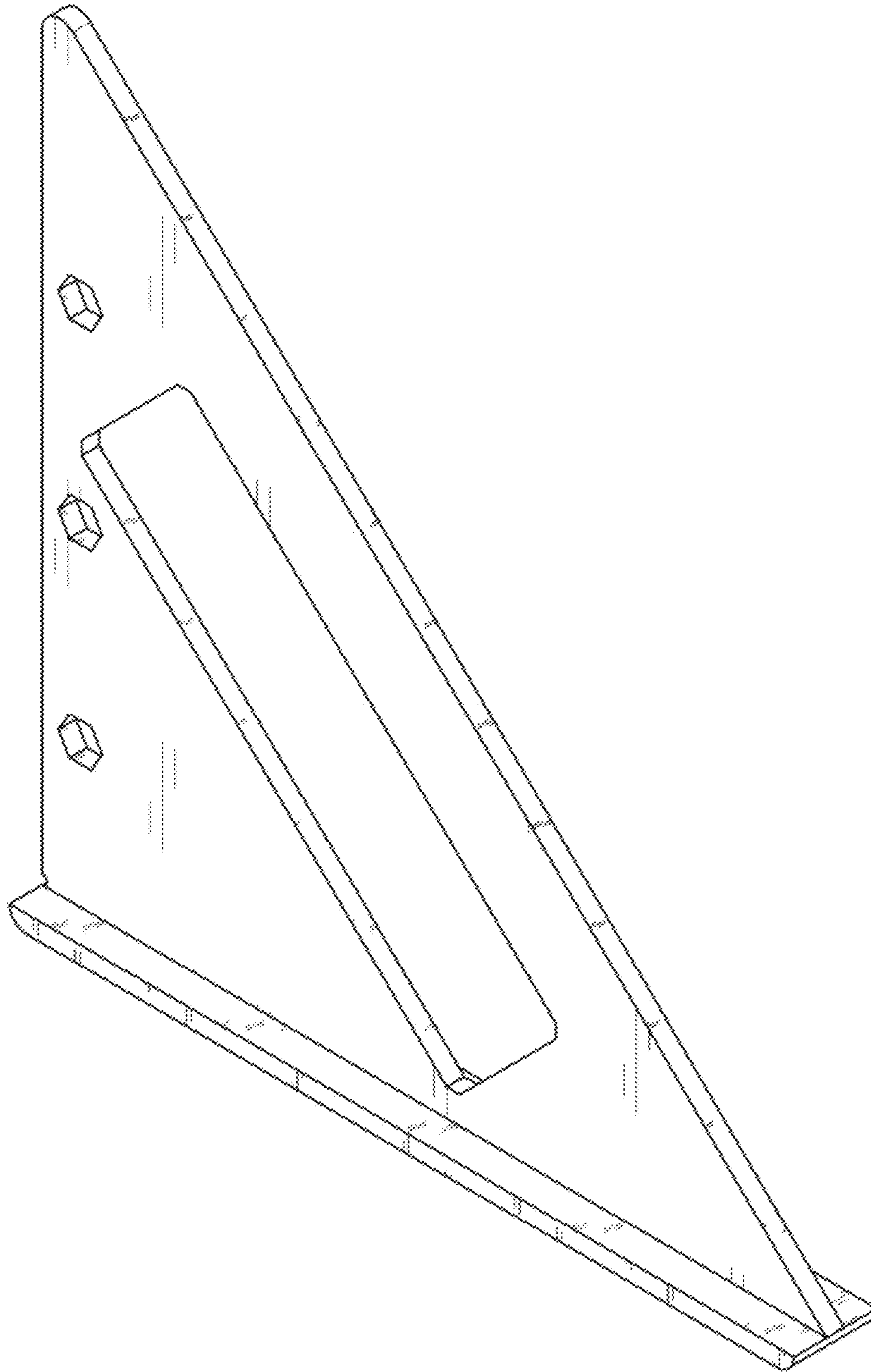


FIG.1

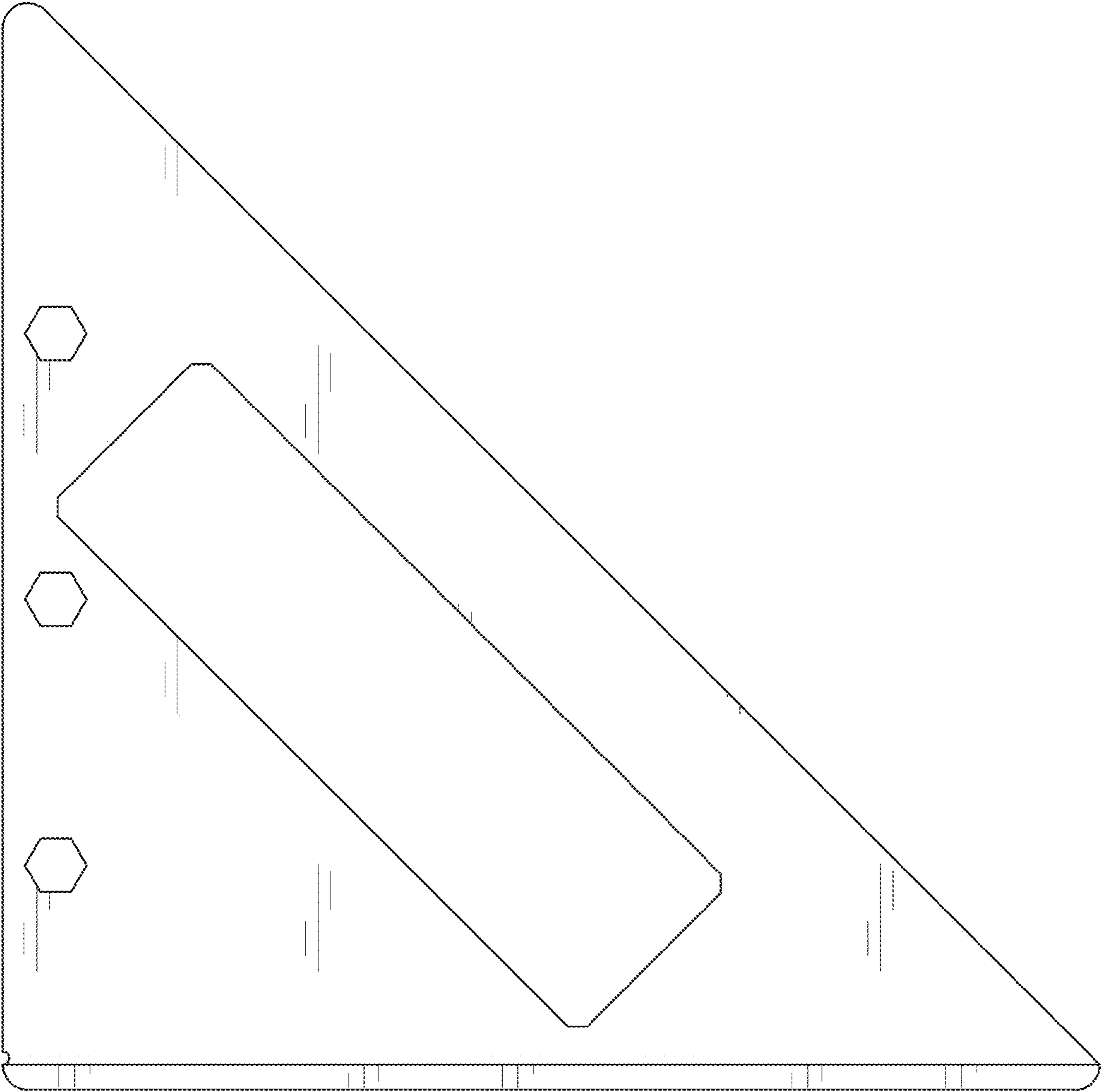


FIG.2

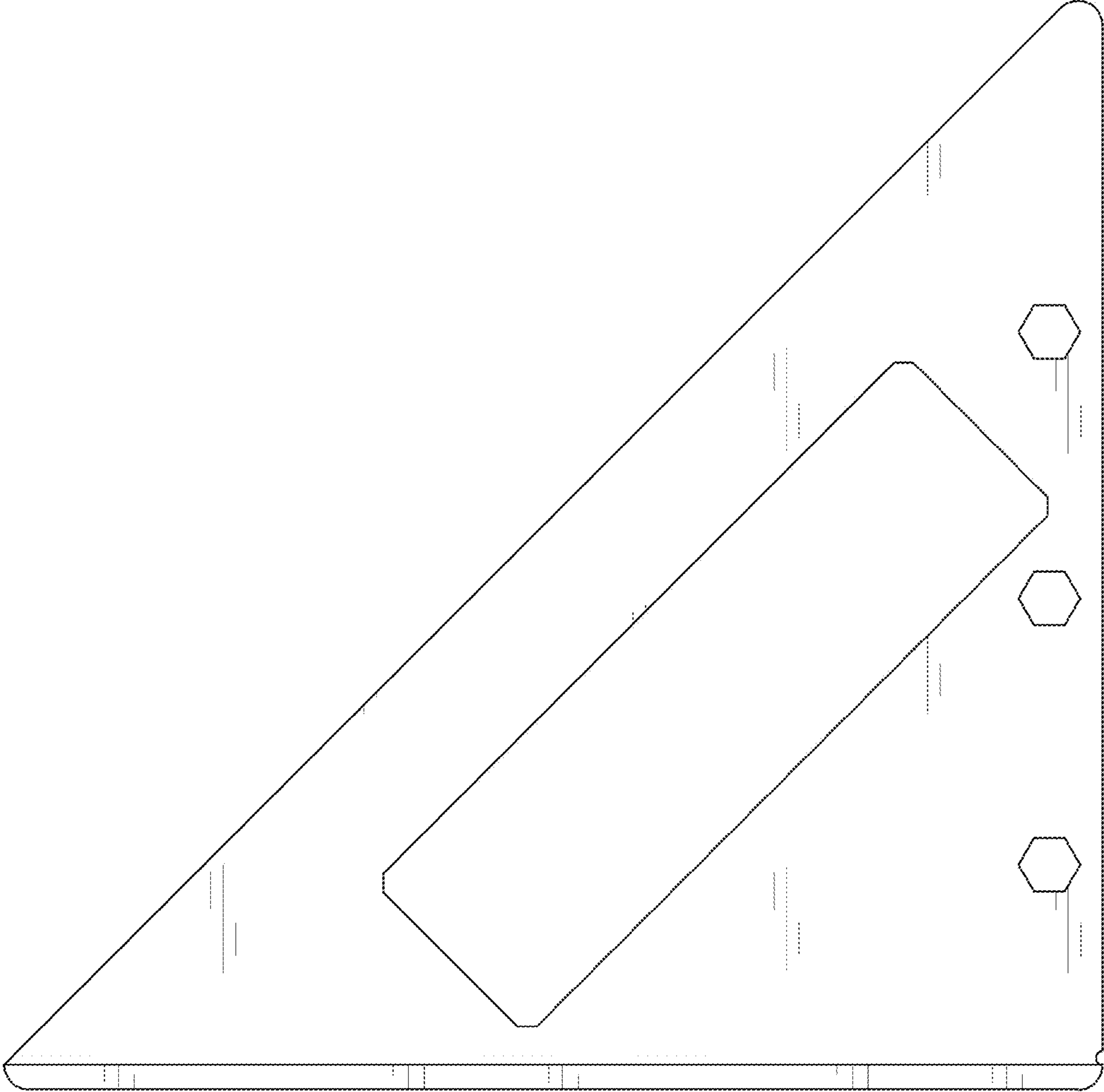


FIG.3

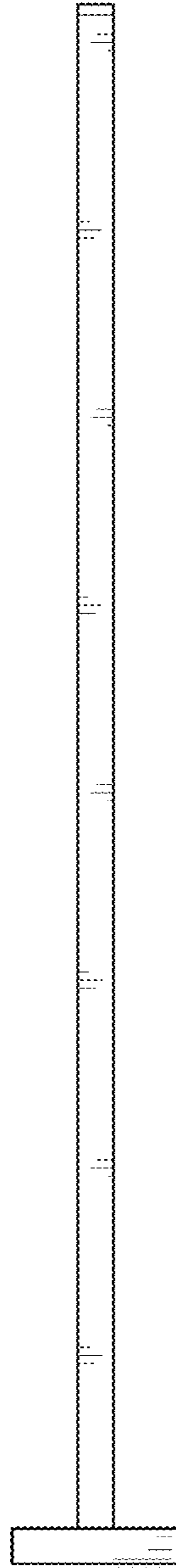


FIG. 4

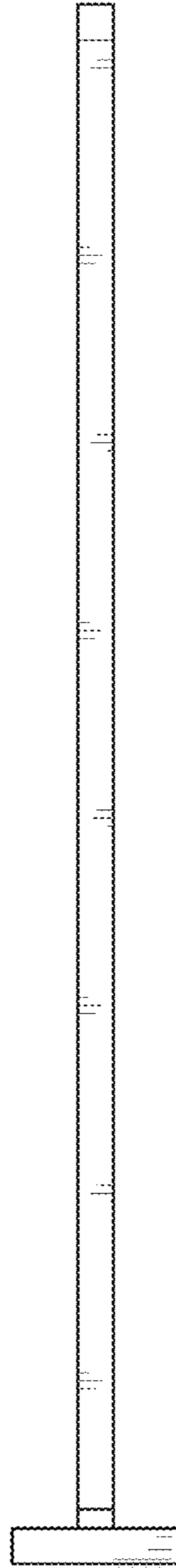


FIG.5

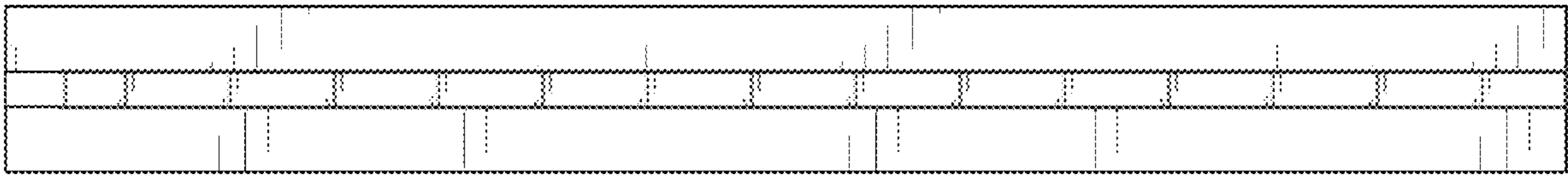


FIG.6



FIG.7

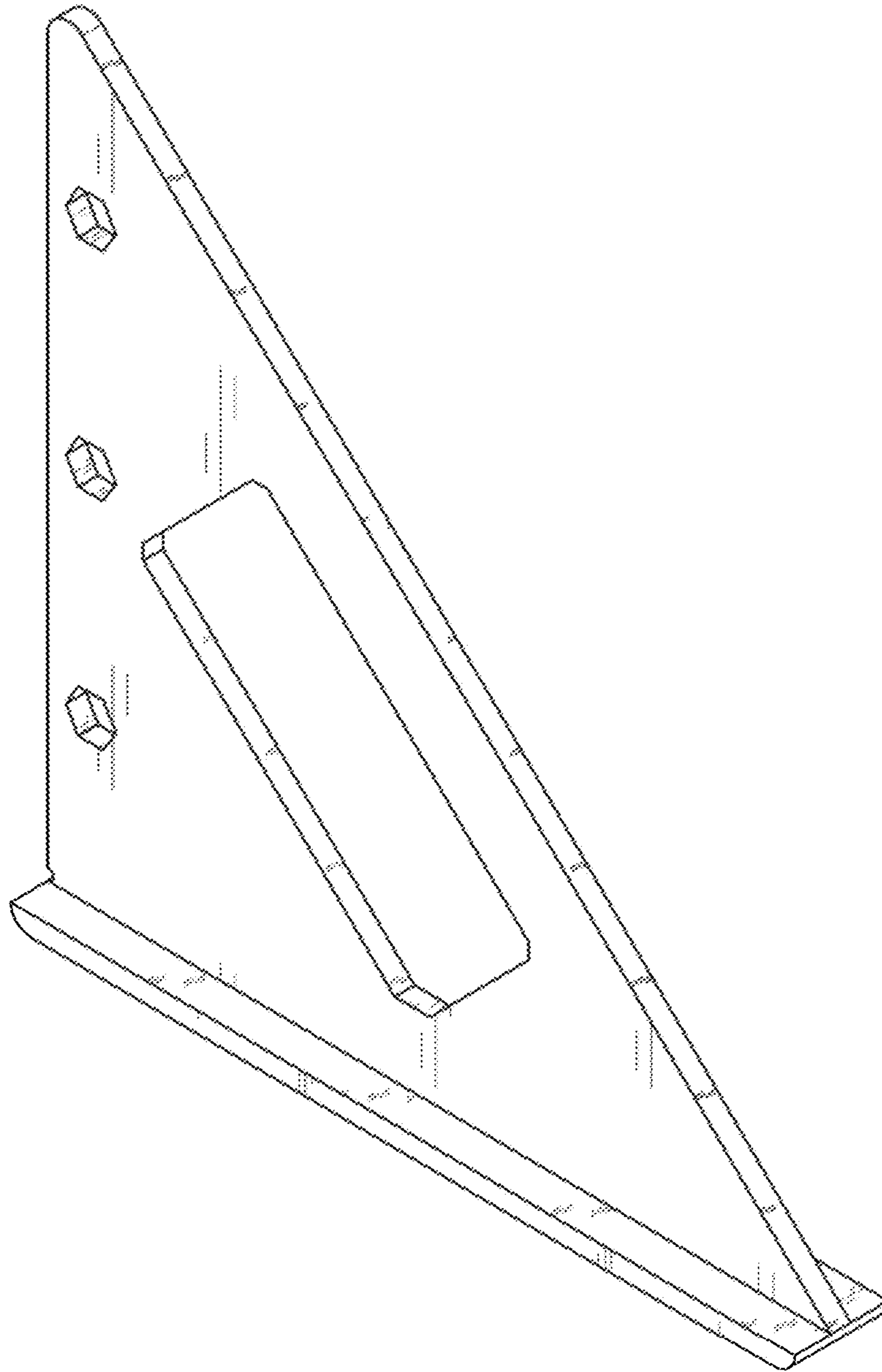


FIG.8

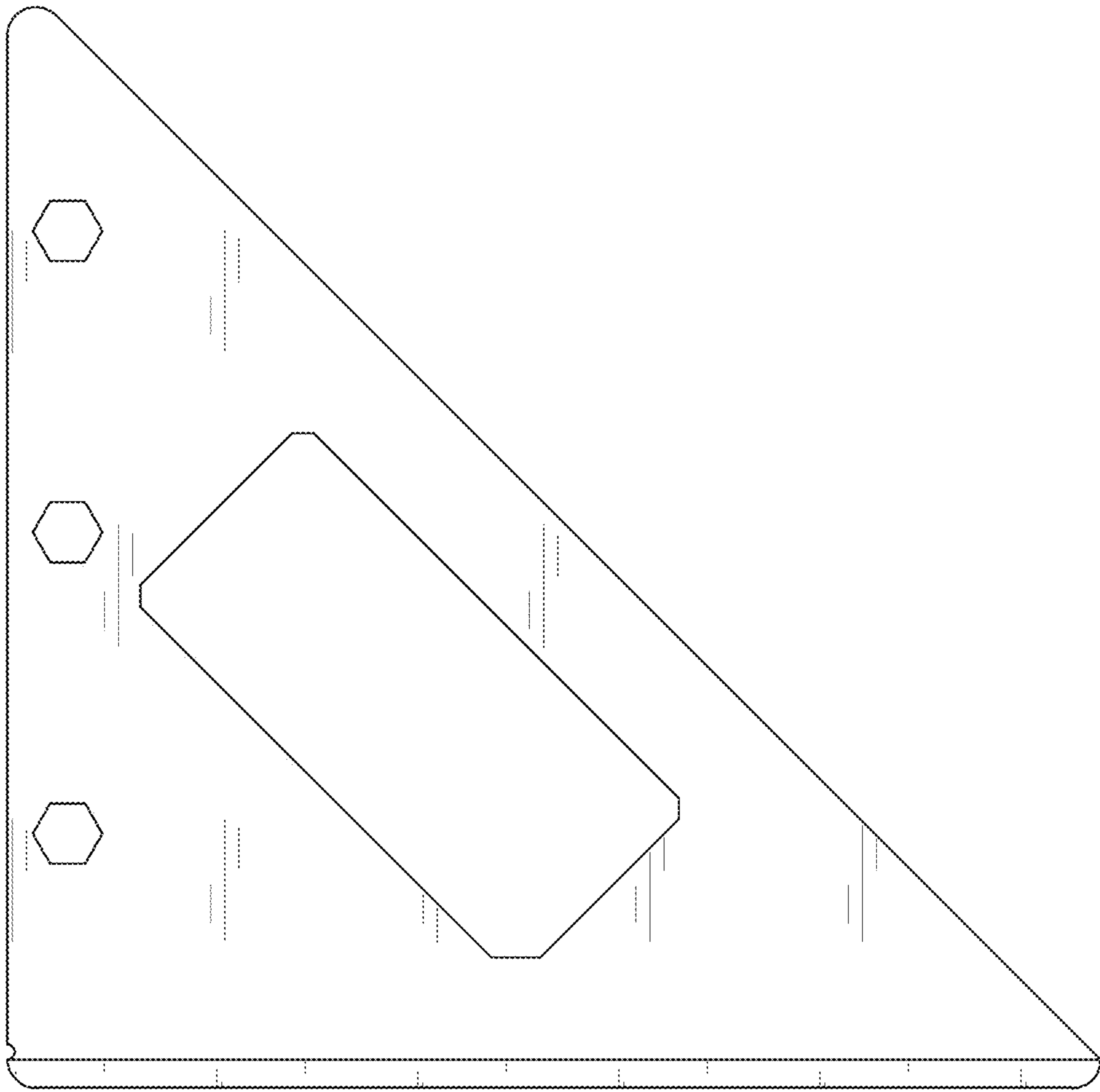


FIG.9

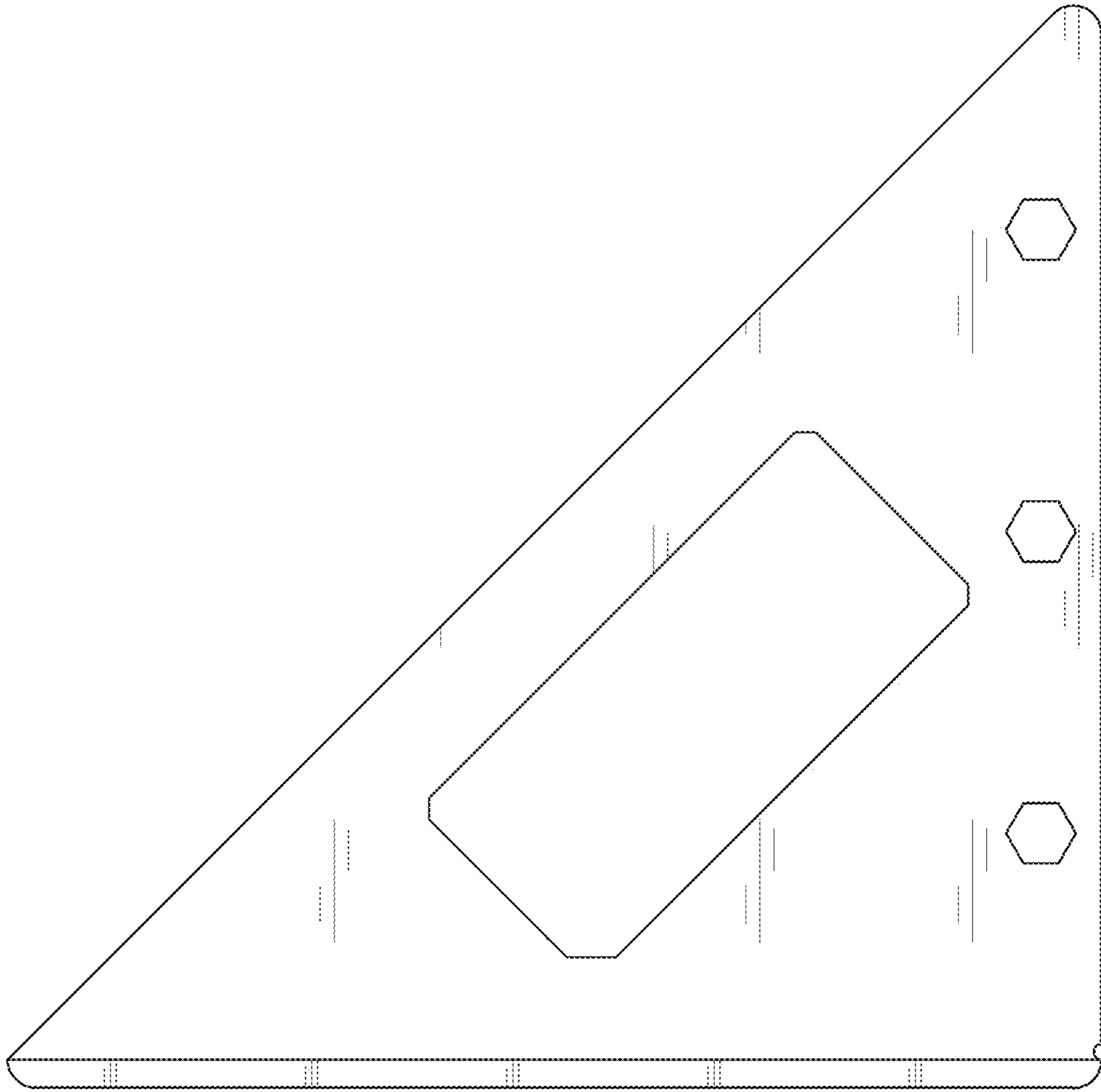


FIG.10

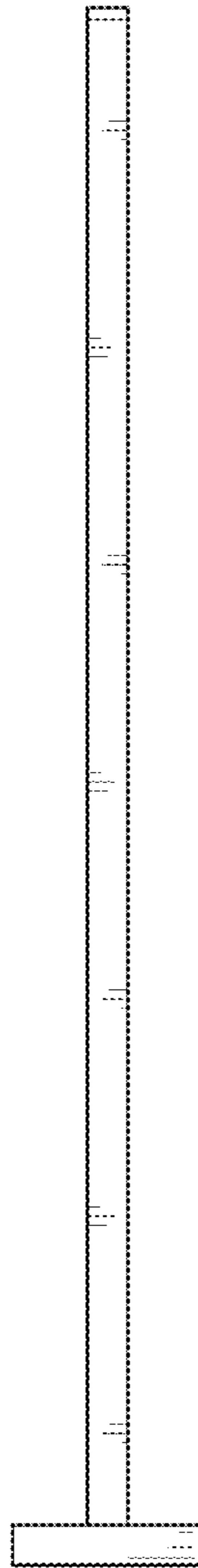


FIG. 11

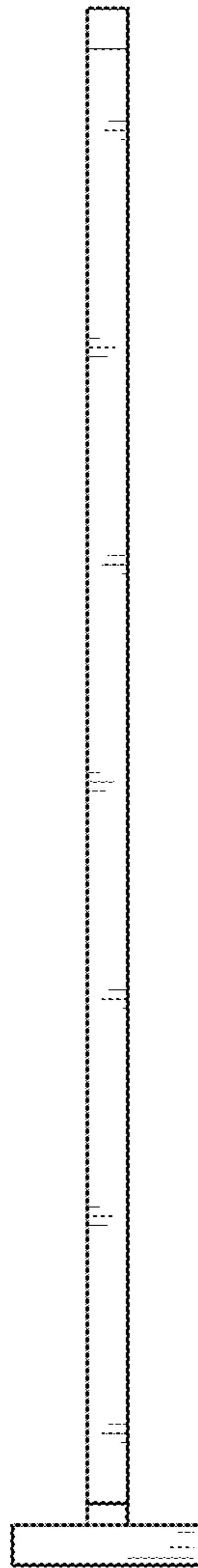


FIG.12

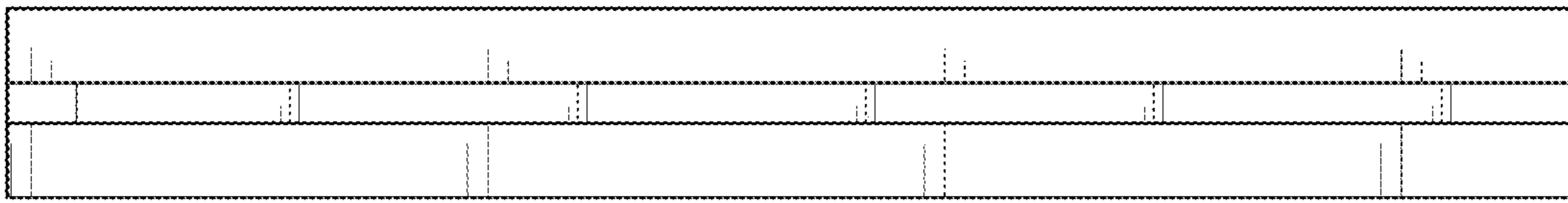


FIG.13



FIG.14