



US00D982461S

(12) **United States Design Patent**
Zhang

(10) **Patent No.:** **US D982,461 S**

(45) **Date of Patent:** **** Apr. 4, 2023**

(54) **MEASURING SPOON SET**

(71) Applicant: **Dinglan Zhang**, Shanghai (CN)

(72) Inventor: **Dinglan Zhang**, Shanghai (CN)

(**) Term: **15 Years**

(21) Appl. No.: **29/810,026**

(22) Filed: **Sep. 30, 2021**

(51) **LOC (14) Cl.** **10-04**

(52) **U.S. Cl.**
USPC **D10/46.2**

(58) **Field of Classification Search**
USPC D10/46.2, 3; D7/691
CPC G01F 19/002; G01F 19/00
See application file for complete search history.

(56) **References Cited**

U.S. PATENT DOCUMENTS

- 3,400,591 A * 9/1968 Larson G01F 19/002
73/426
- 3,526,138 A * 9/1970 Swett G01F 19/002
73/426
- 4,043,203 A * 8/1977 Montesi G01F 19/002
73/427
- D247,412 S * 3/1978 Montesi D10/46.3
- D437,793 S * 2/2001 Kaposi D10/46.2
- D438,125 S * 2/2001 Kaposi D10/46.2
- D443,836 S * 6/2001 Wright D10/46.3
- D584,968 S * 1/2009 Mantilla D10/46.3
- D730,752 S * 6/2015 Clark D10/46.3
- D730,753 S * 6/2015 Clark D10/46.3
- D742,765 S * 11/2015 Hauser D10/46.3
- D752,453 S * 3/2016 Holding D10/46.3
- D854,949 S * 7/2019 Klipshtein D10/46.3

- D908,514 S * 1/2021 Lang D10/46.3
- 2012/0222482 A1 * 9/2012 Kern G01F 19/002
73/426
- 2015/0338259 A1 * 11/2015 Robbins G01F 19/002
73/426
- 2019/0316947 A1 * 10/2019 Samuelson G01F 19/002

OTHER PUBLICATIONS

Edelin Measuring Cups and Magnetic Measuring Spoons Set, available in Amazon.com, date first available date Jan. 3, 2019, [site visited Dec. 30, 2022], Available from the internet URL: <https://www.amazon.com/Measuring-Magnetic-Spoons-Stainless-Steel/dp/B07M6Q5MGF?th=1>. (Year: 2019).*

* cited by examiner

Primary Examiner — Joseph Kukella
Assistant Examiner — Lillian Windham

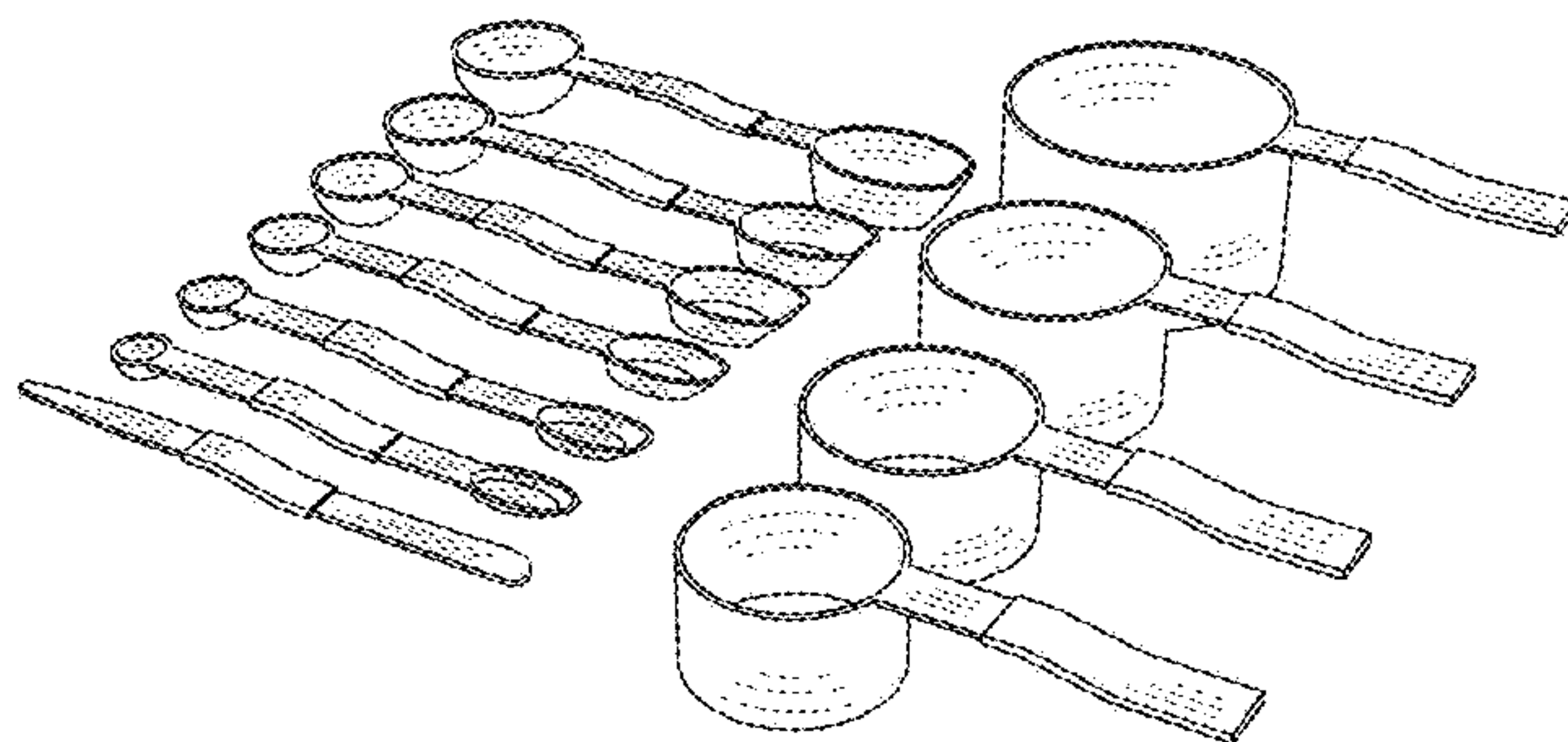
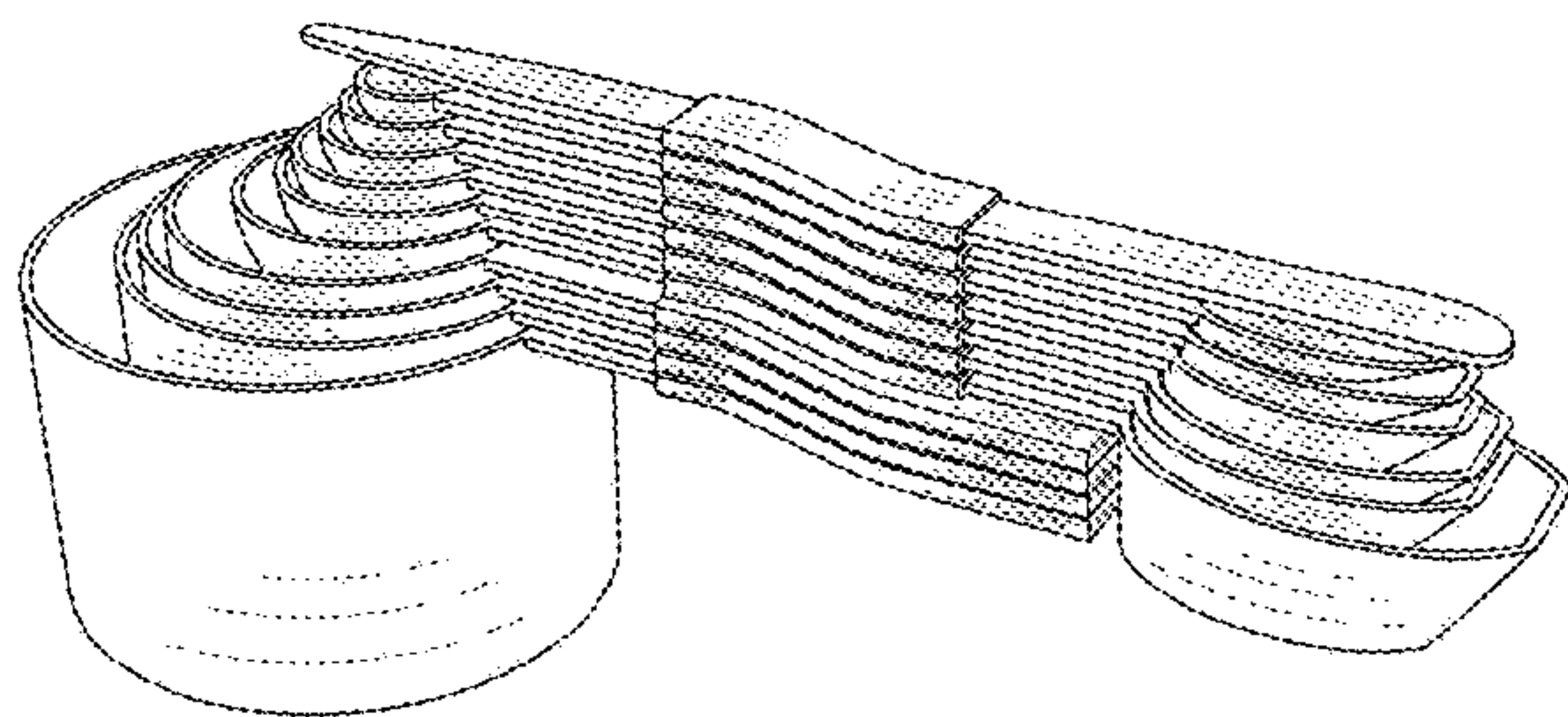
(57) **CLAIM**

The ornamental design for a measuring spoon set, as shown and described.

DESCRIPTION

FIG. 1 is a perspective view of a measuring spoon set design showing my new design.
FIG. 2 is a front view of a measuring spoon set.
FIG. 3 is a rear view of a measuring spoon set.
FIG. 4 is a left side view of a measuring spoon set.
FIG. 5 is a right side view of a measuring spoon set.
FIG. 6 is a top view of a measuring spoon set.
FIG. 7 is a bottom view of a measuring spoon set; and,
FIG. 8 is a perspective view thereof, showing the measuring spoon set in a separated state of use.

1 Claim, 8 Drawing Sheets



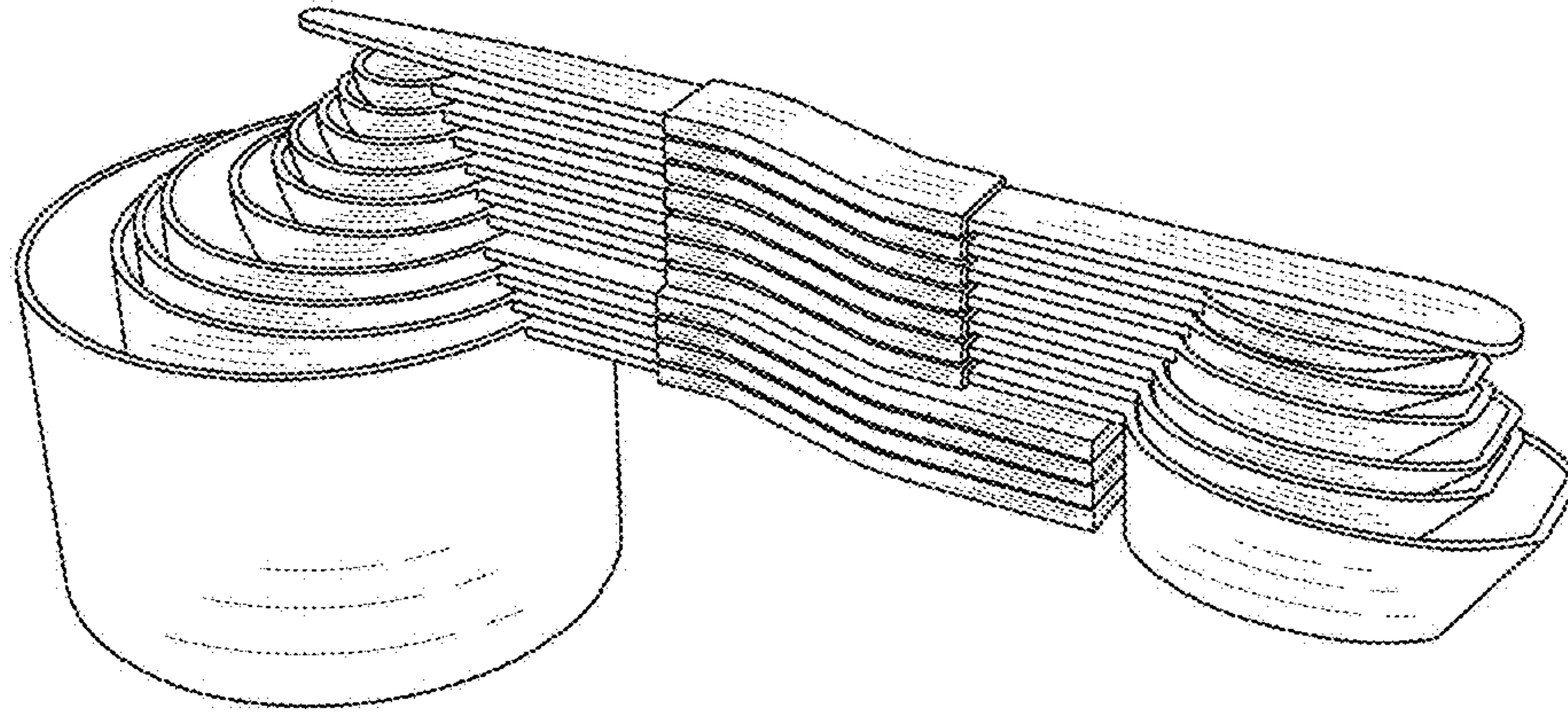


FIG. 1

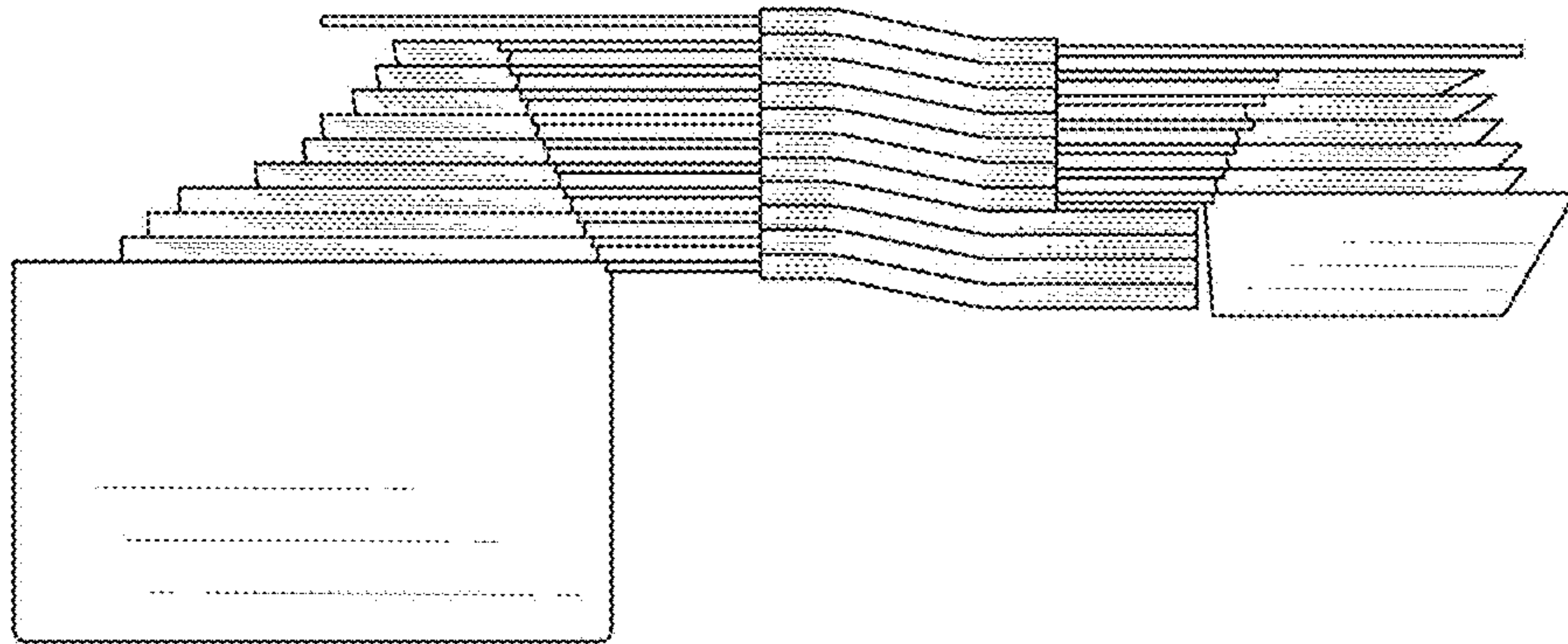


FIG. 2

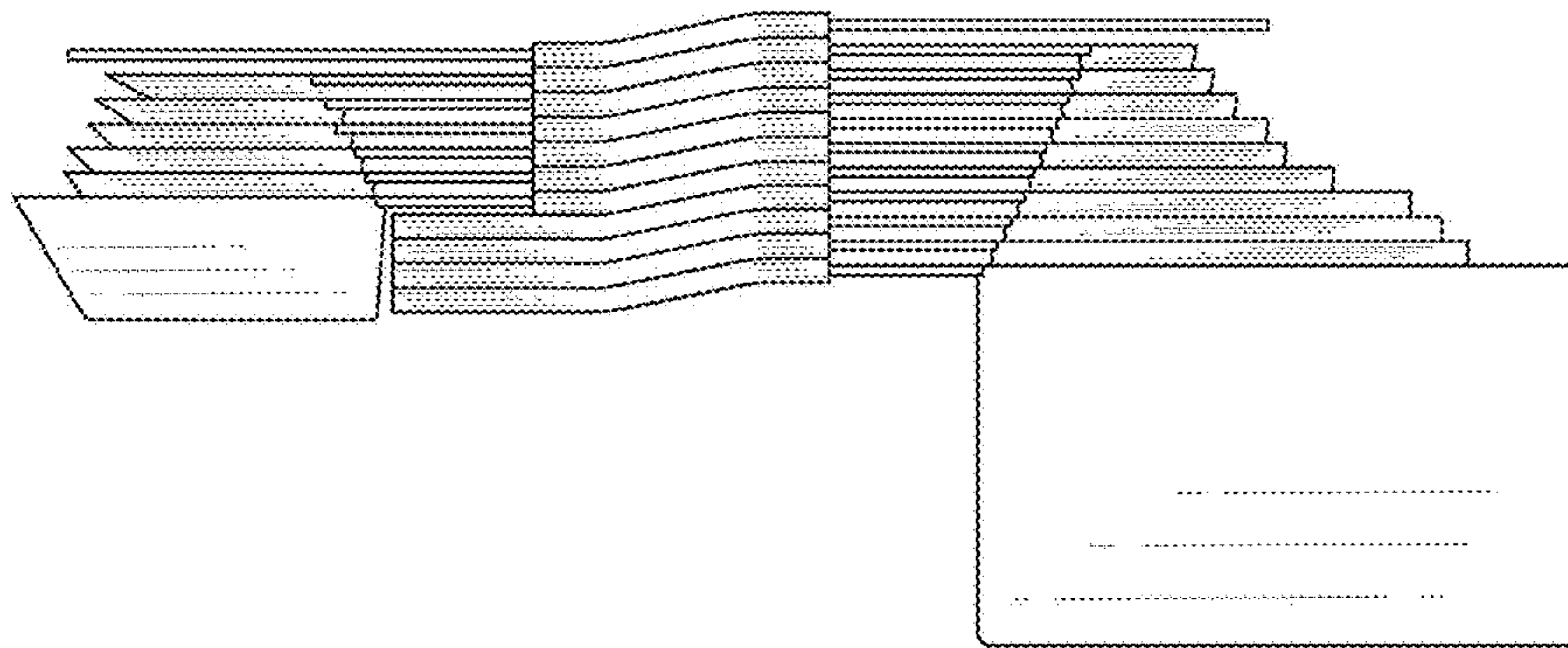


FIG. 3

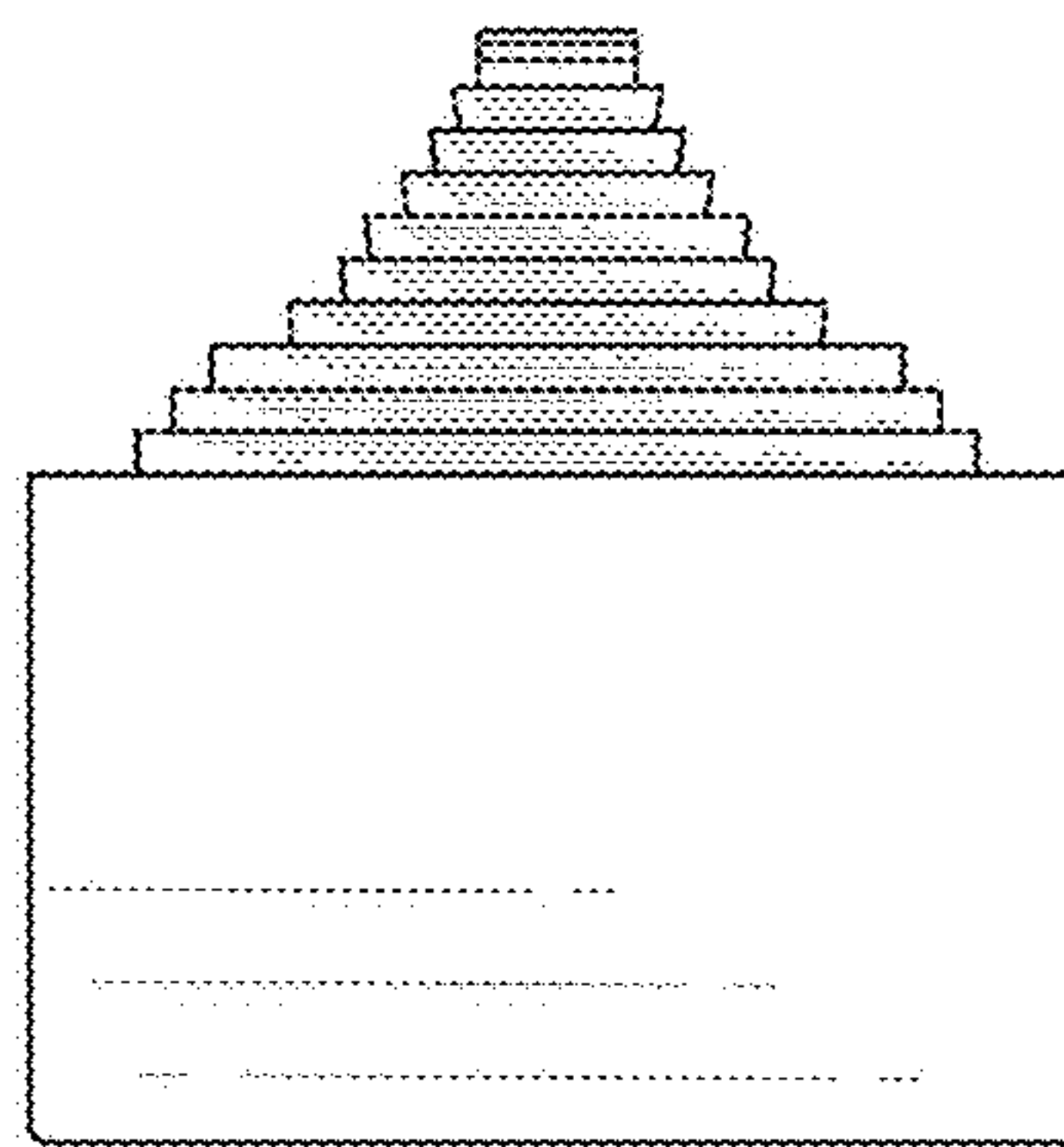


FIG. 4

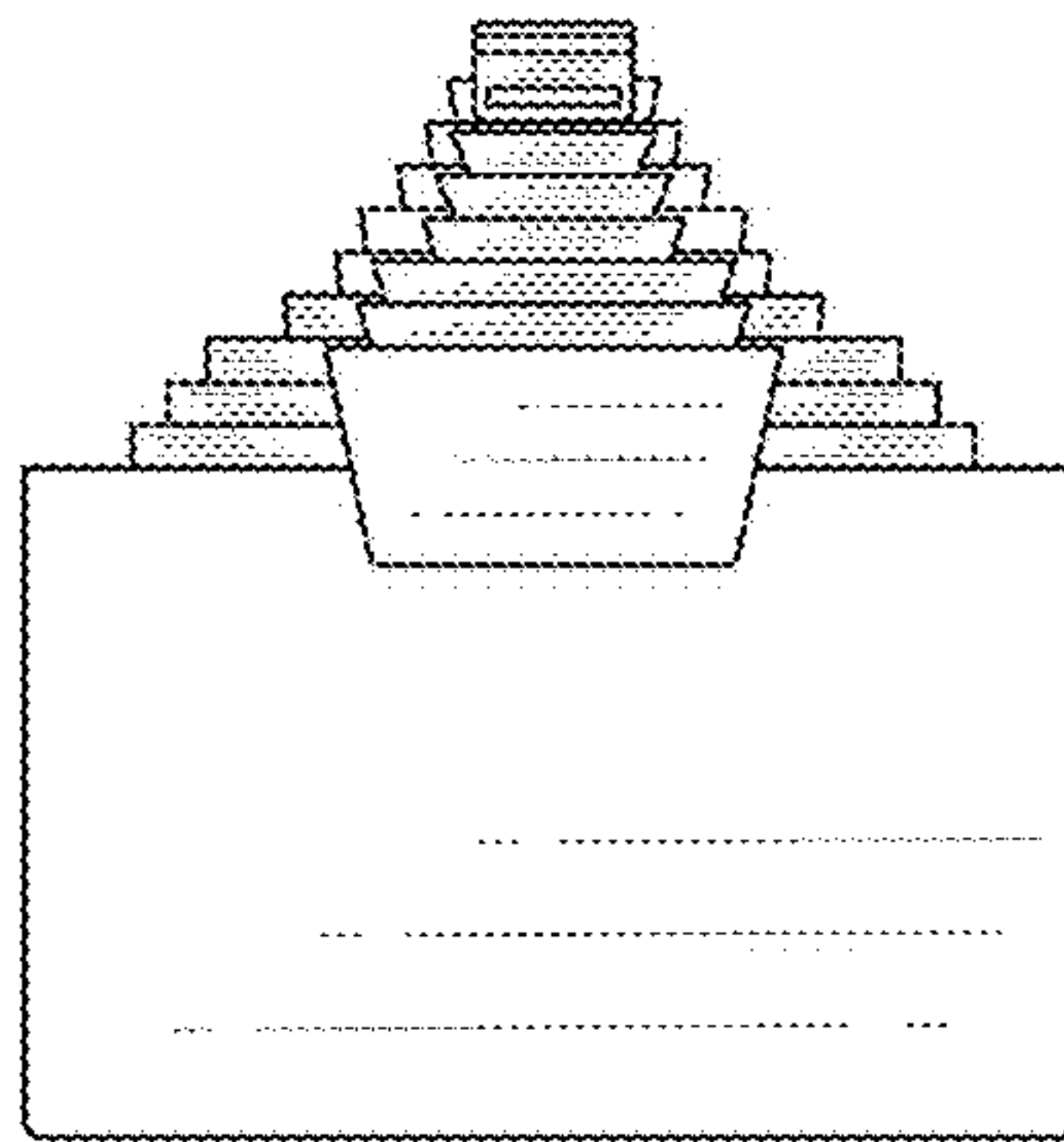


FIG. 5

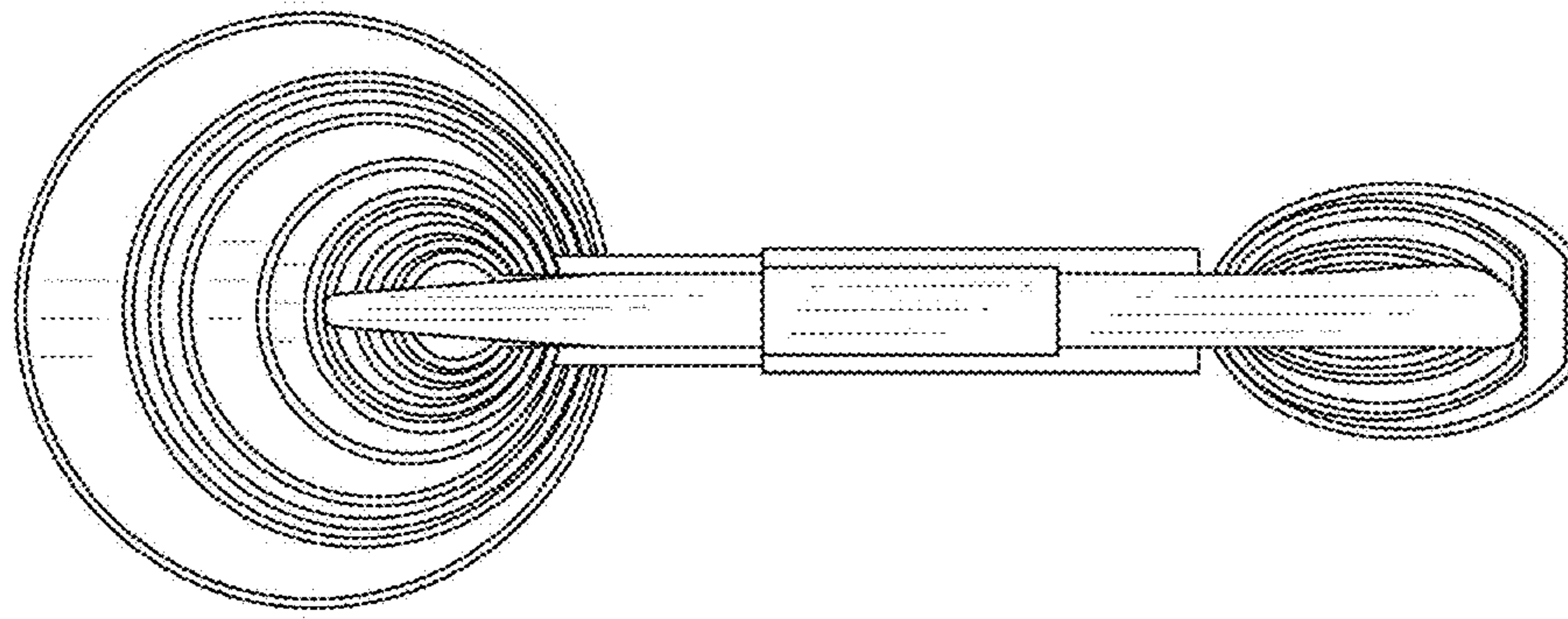


FIG. 6

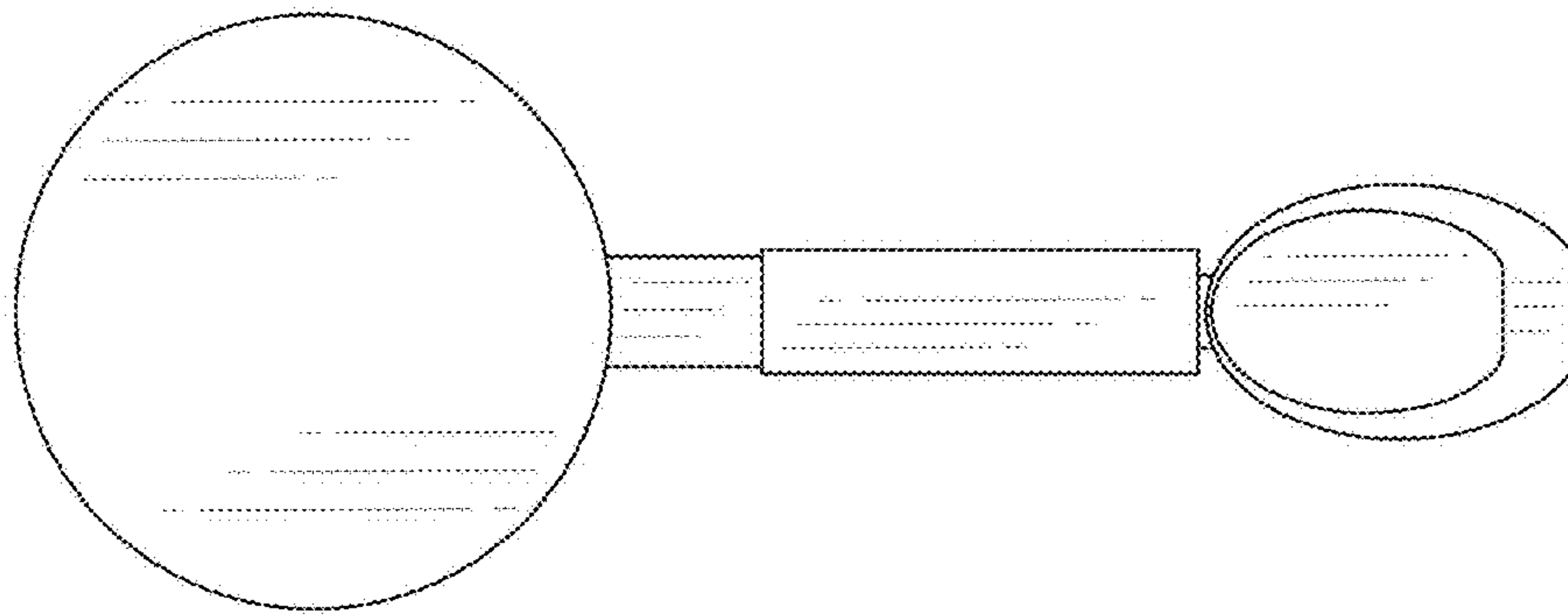


FIG. 7

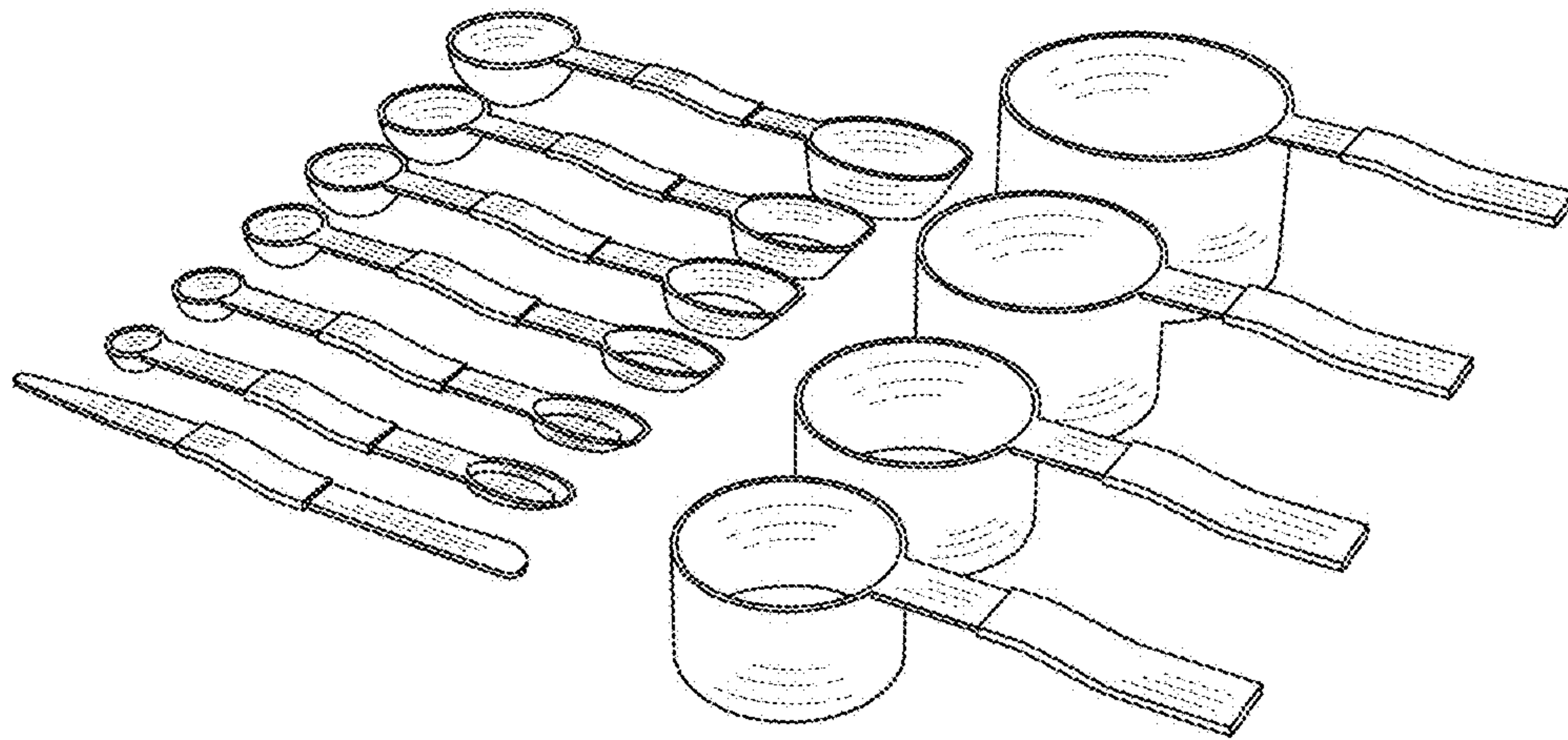


FIG. 8