



US00D982460S

(12) **United States Design Patent**  
**Huang**

(10) **Patent No.:** **US D982,460 S**  
(45) **Date of Patent:** **\*\* Apr. 4, 2023**

(54) **PROTECTIVE CASE FOR A WATCH**

D972,431 S \* 12/2022 Huang ..... D10/32  
D972,957 S \* 12/2022 Armstrong ..... D14/440  
D974,185 S \* 1/2023 He ..... D10/32

(71) Applicant: **Wei Huang**, Hechi (CN)

(72) Inventor: **Wei Huang**, Hechi (CN)

(\*\*) Term: **15 Years**

(21) Appl. No.: **29/858,157**

(22) Filed: **Oct. 28, 2022**

(51) **LOC (14) Cl.** ..... **10-02**

(52) **U.S. Cl.**

USPC ..... **D10/32**; D10/132; D11/3

(58) **Field of Classification Search**

USPC ..... D10/30-39, 122, 128, 129-132; D11/3;  
D14/344, 440

CPC ..... A44C 5/00; A44C 5/0007; A44C 5/147;  
A44C 17/02; A45C 2011/001-003; A45C  
15/08; A45C 11/10; A45C 11/12; G04B  
37/005; G04B 37/0058; G04B 37/084;  
G04B 37/087; G04G 17/08

See application file for complete search history.

(56) **References Cited**

**U.S. PATENT DOCUMENTS**

D401,181 S	*	11/1998	Houlihan	.....	D11/3
D725,533 S	*	3/2015	Riddiford	.....	D11/3
D792,241 S	*	7/2017	White	.....	D10/30
D821,247 S	*	6/2018	Lean	.....	D11/3
D836,478 S	*	12/2018	Wright	.....	D11/3
D850,968 S		6/2019	Zhang		
D856,160 S	*	8/2019	Yu	.....	D10/32
D920,147 S		5/2021	Qu		
D925,385 S		7/2021	Lin		
D940,704 S	*	1/2022	Weng	.....	D14/344
D949,711 S	*	4/2022	Huang	.....	D10/32
D957,281 S	*	7/2022	Huang	.....	D10/132
D962,083 S	*	8/2022	Zheng	.....	D10/32
D964,864 S	*	9/2022	Zheng	.....	D10/32
D965,444 S	*	10/2022	Zheng	.....	D10/32
D971,030 S	*	11/2022	Qu	.....	D10/32

**OTHER PUBLICATIONS**

Gelishi Compatible with Apple Watch Band | amazon.com; date first avail. Nov. 12, 2021 [online]. © 1996-2023, Amazon.com, Inc [retrieved Jan. 27, 2023] from Internet: <<https://www.amazon.com/GELISHI-Compatible-Stainless-Protector-Shockproof/dp/B09LQRJKQR?th=1> (Year: 2021).\*

\* cited by examiner

*Primary Examiner* — Katherine Glennon

(74) *Attorney, Agent, or Firm* — Georgi Korobanov

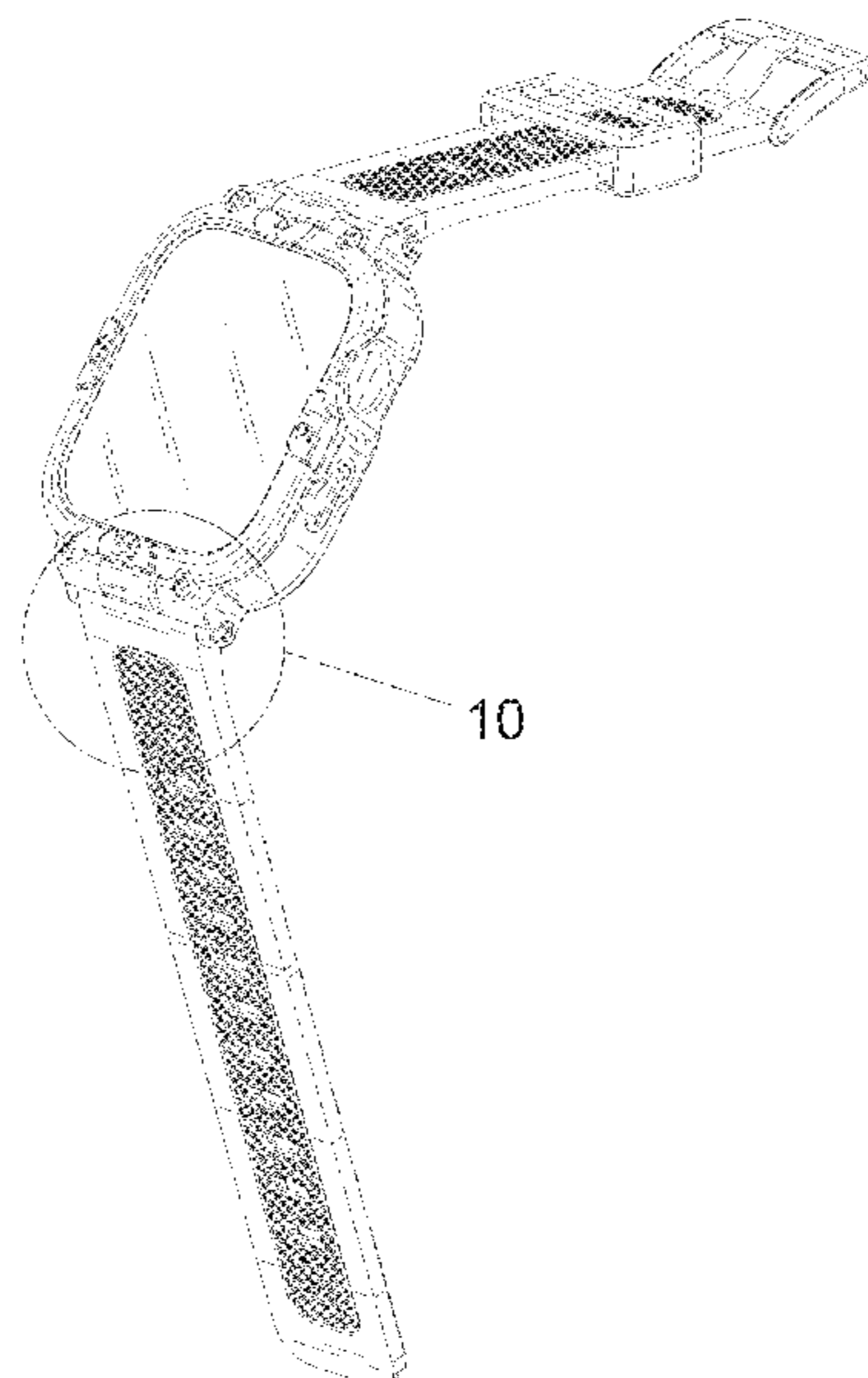
(57) **CLAIM**

The ornamental design for a protective case for a watch, as shown and described.

**DESCRIPTION**

FIG. 1 is a front, right and top perspective view of a protective case for a watch, showing my new design; FIG. 2 is a rear, left and bottom perspective view thereof; FIG. 3 is is a front, right and top perspective view of the protective case for a watch in a detached status; FIG. 3 is a front view thereof; FIG. 4 is a rear view thereof; FIG. 5 is a left side view thereof; FIG. 6 is a right side view thereof; FIG. 7 is a top plan view thereof; FIG. 8 is a bottom plan view thereof; and, FIG. 10 is an enlarged view of portion 10 shown in FIG. 1. The dot-dash broken lines depict the boundaries of the enlargements that form no part of the claimed design.

**1 Claim, 10 Drawing Sheets**



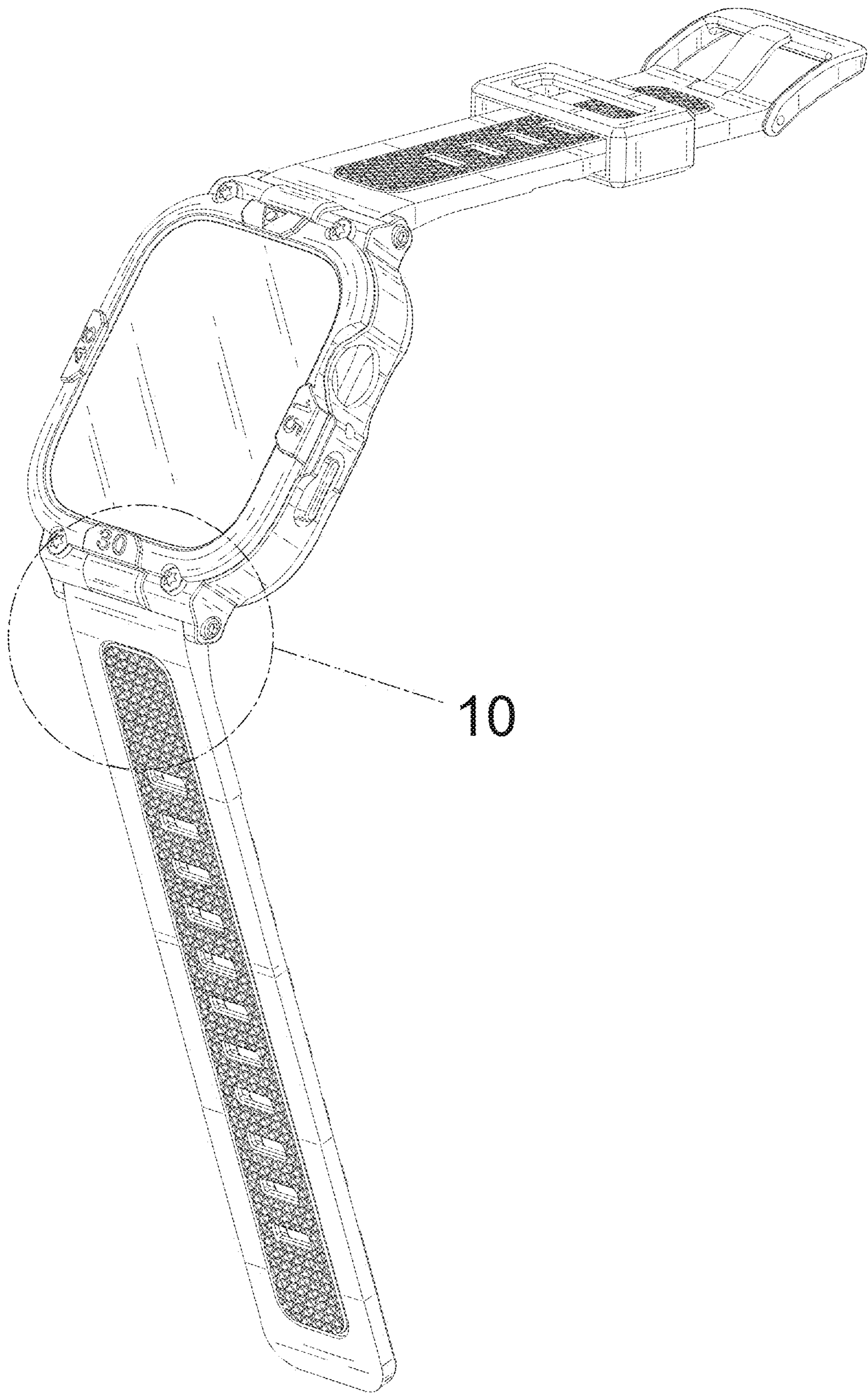


FIG. 1

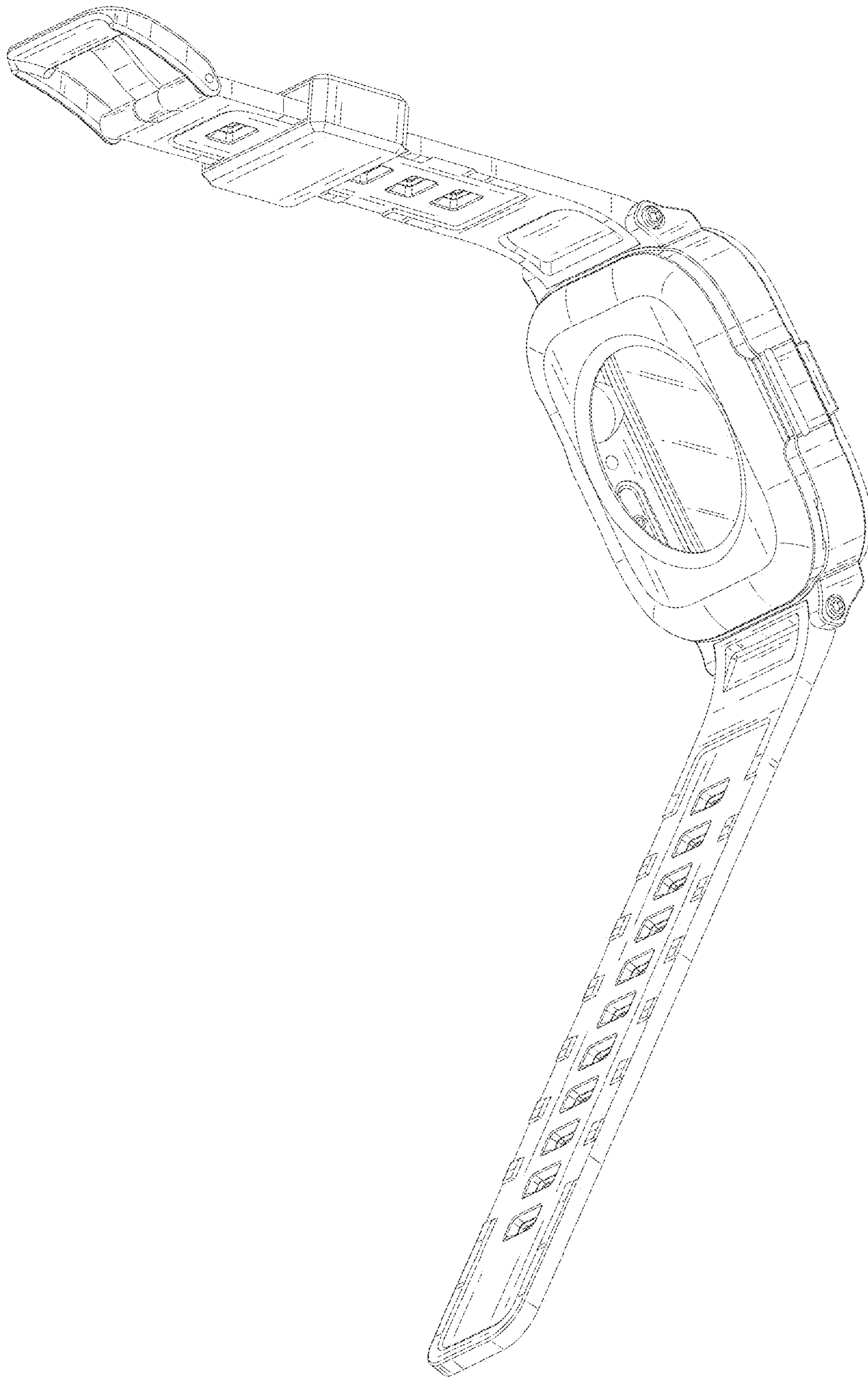


FIG. 2

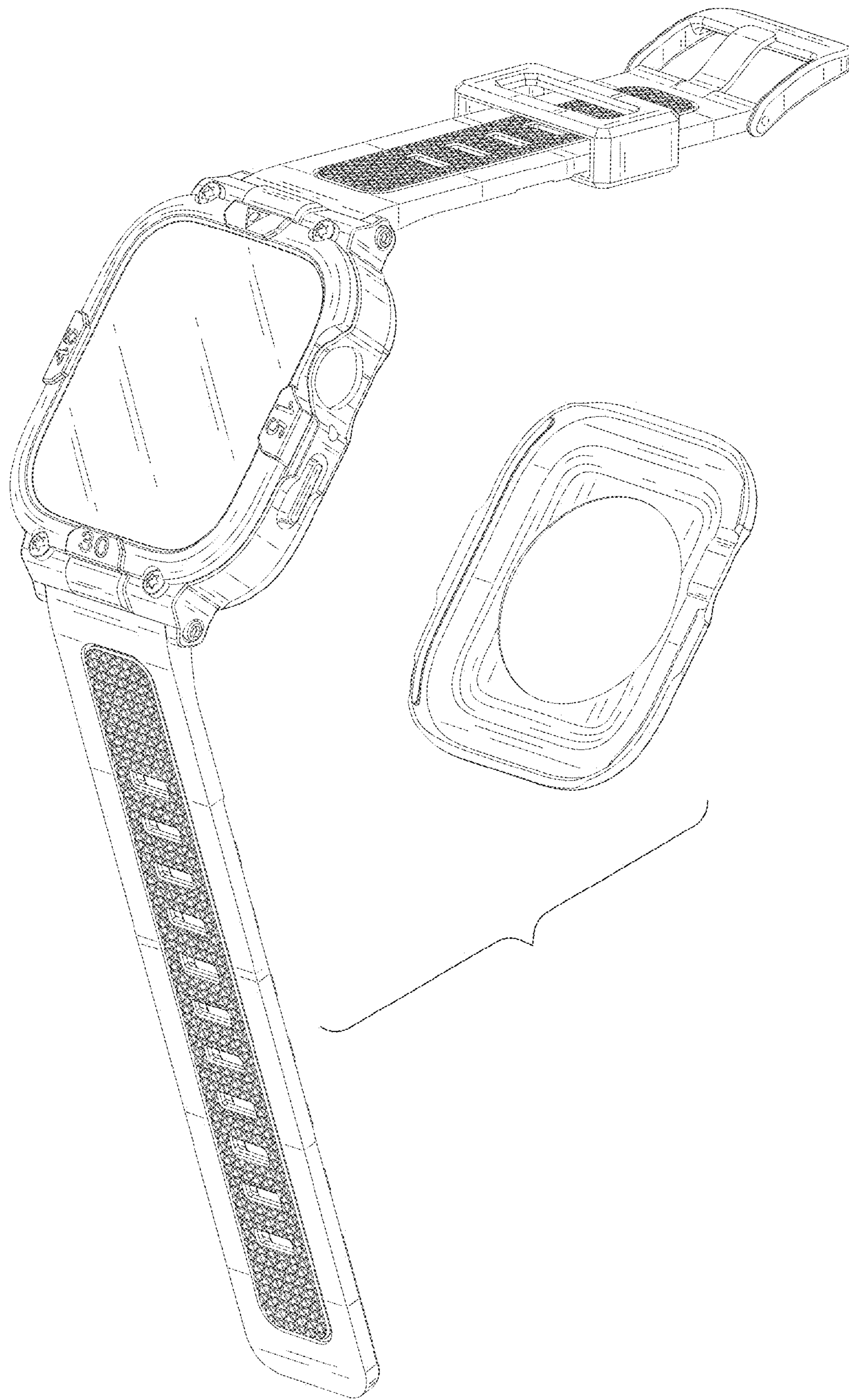


FIG. 3

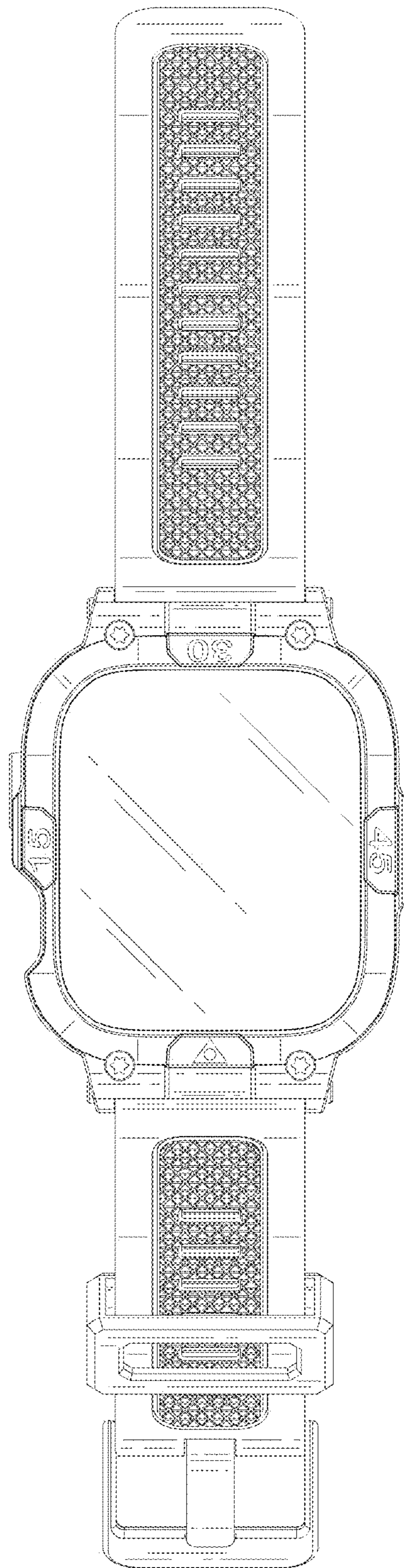


FIG. 4

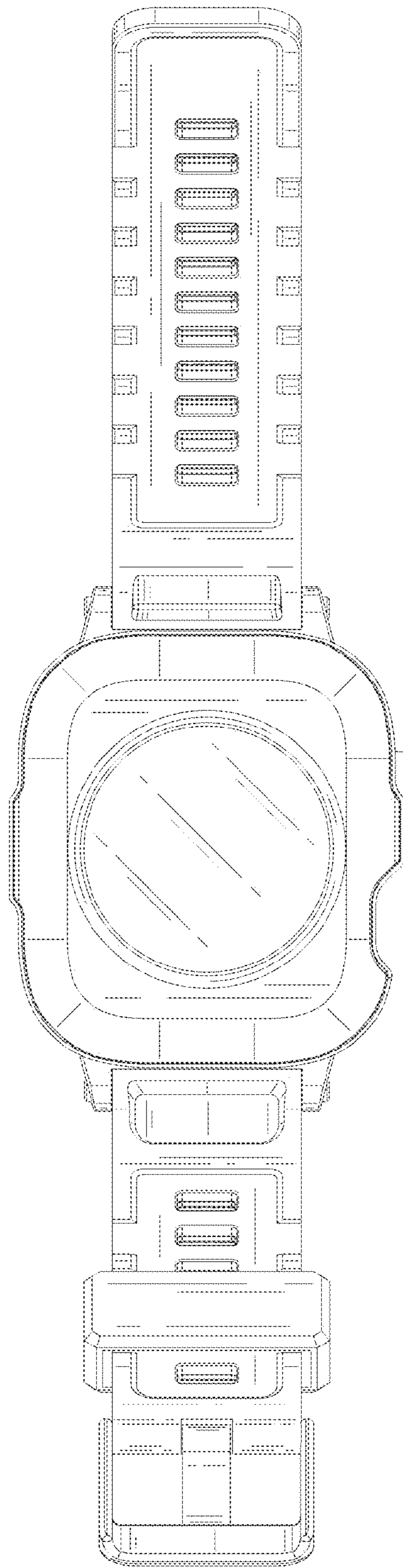


FIG. 5

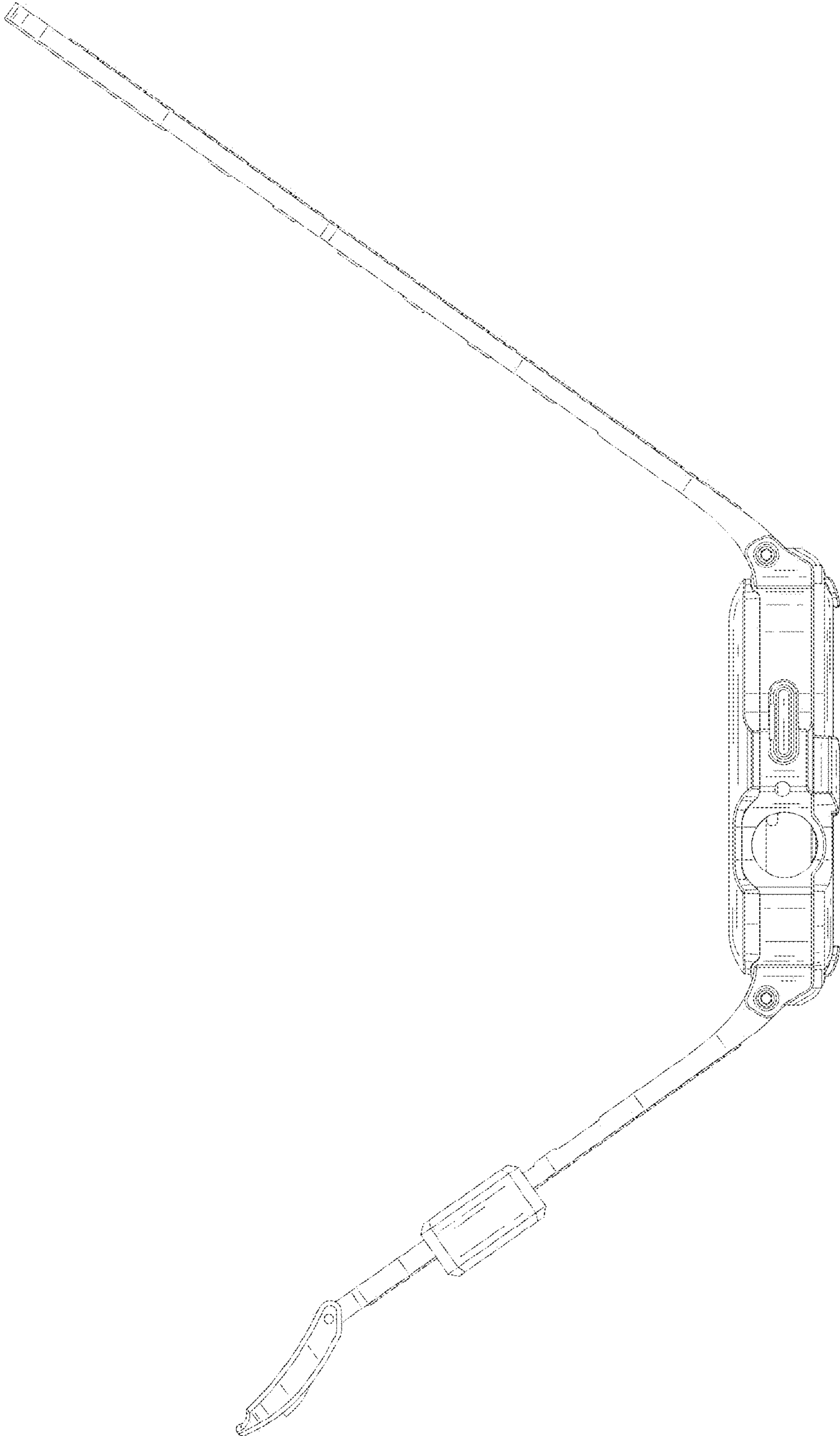


FIG. 6

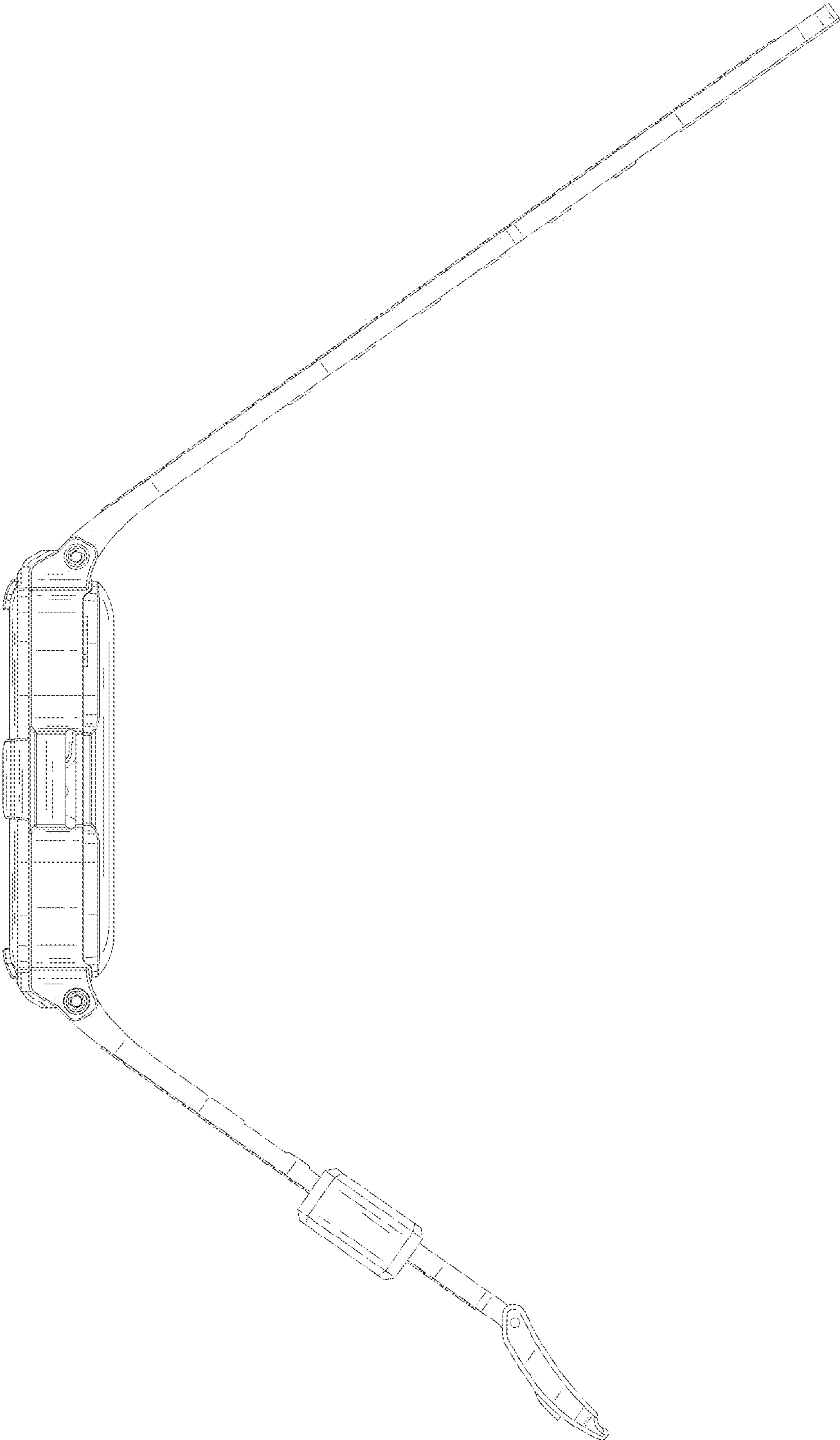


FIG. 7



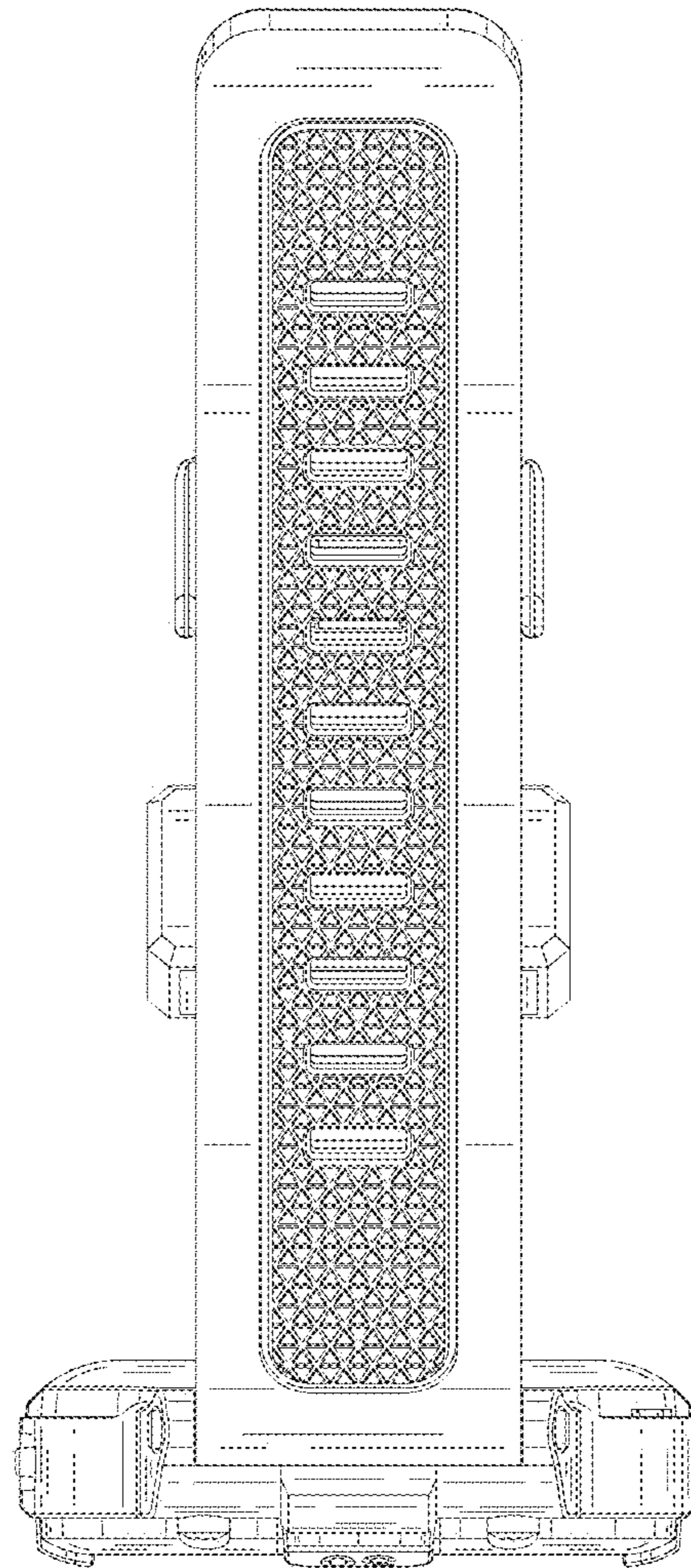


FIG. 8

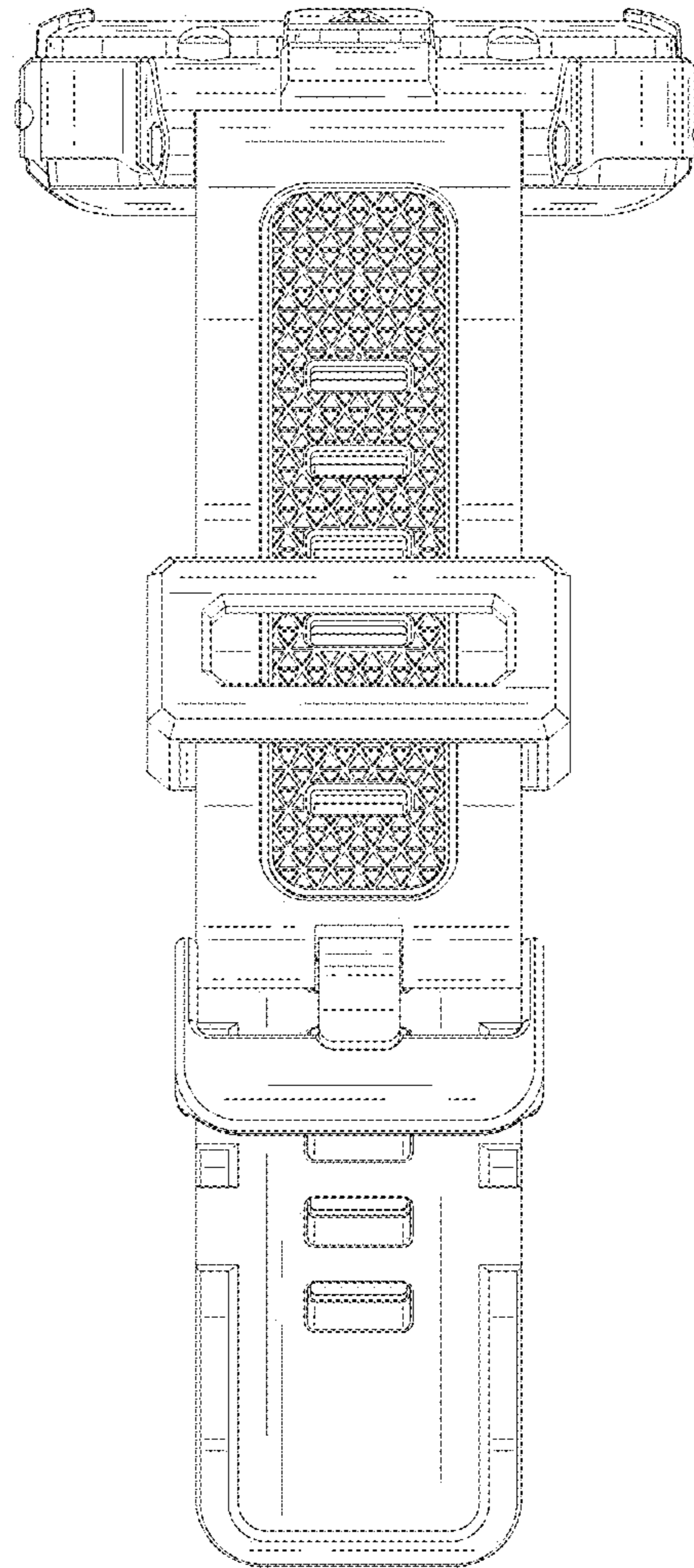


FIG. 9

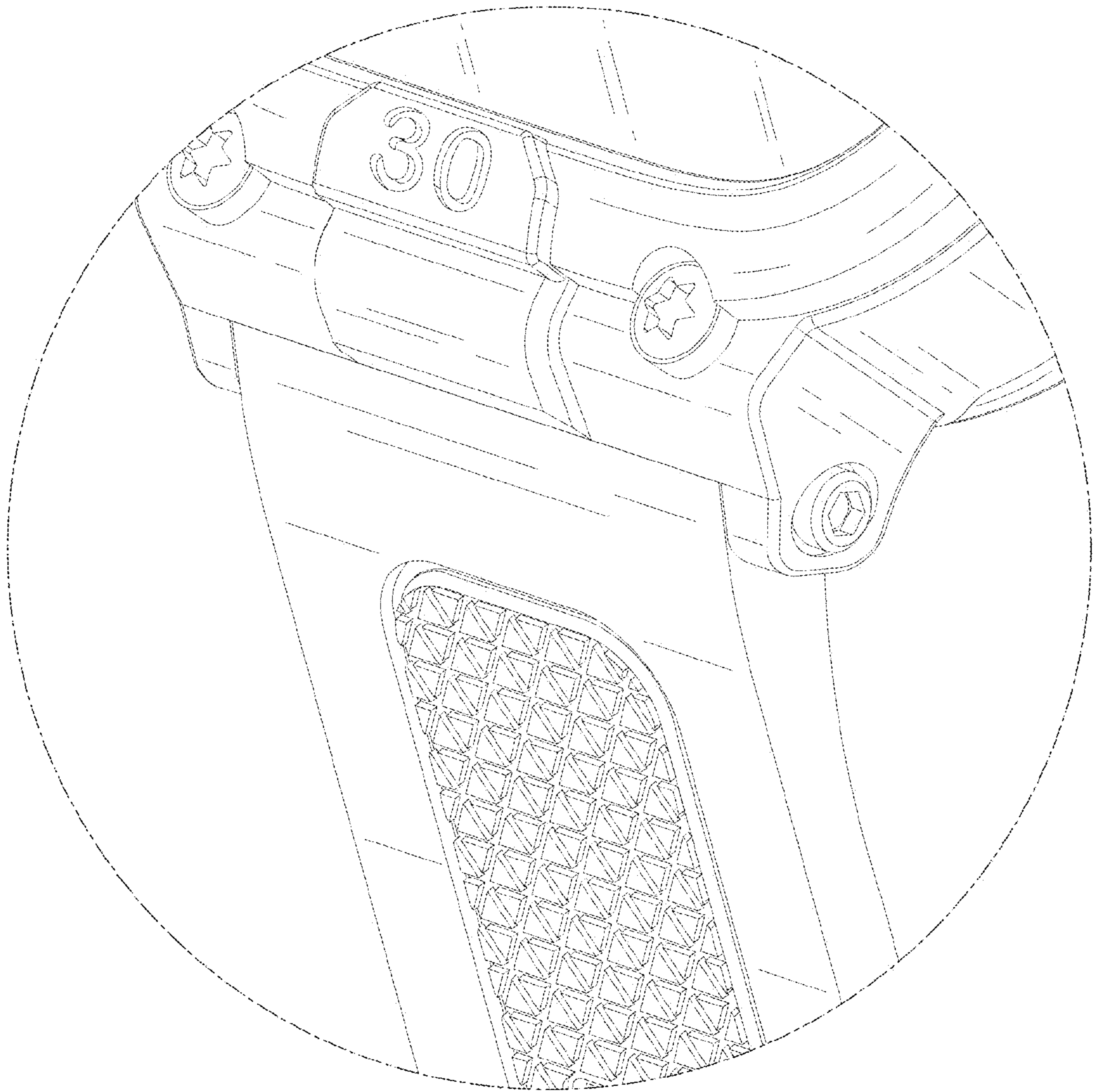


FIG. 10