



US00D982459S

(12) **United States Design Patent**
Hong

(10) **Patent No.:** **US D982,459 S**

(45) **Date of Patent:** **** Apr. 4, 2023**

(54) **COMBINED ALARM CLOCK AND NIGHT LIGHT**

(71) Applicant: **Zhigao Hong**, Guangdong (CN)

(72) Inventor: **Zhigao Hong**, Guangdong (CN)

(73) Assignee: **Yongzhi Tao**, Guangxi (CN)

(**) Term: **15 Years**

(21) Appl. No.: **29/836,304**

(22) Filed: **Apr. 26, 2022**

(51) **LOC (14) Cl.** **10-01**

(52) **U.S. Cl.**
USPC **D10/5; D10/15; D26/54**

(58) **Field of Classification Search**
USPC D10/1-7, 14-15, 22-23; D14/170-172,
D14/188; D26/26, 52, 54, 57, 98, 105;
D21/531
CPC G04G 17/00; G04G 17/005; G04G 17/08;
G04G 17/086; G04G 9/00; G04G 13/02;
G04G 13/025; G04G 13/026; G04G
13/028; G04F 1/00; G04F 1/005; G04F
3/02

See application file for complete search history.

(56) **References Cited**

U.S. PATENT DOCUMENTS

D326,726 S	6/1992	Swain, Jr.	
D346,869 S	5/1994	Houssian	
D437,236 S *	2/2001	Hargrove, III	D10/18
D523,972 S	6/2006	Chan	
D525,880 S *	8/2006	Okamura	D10/22
D582,394 S *	12/2008	Hong	D14/506
D585,766 S *	2/2009	Fernie	D10/15
D596,506 S *	7/2009	Fernie	D10/23
D602,380 S *	10/2009	Fernie	D10/15
D612,267 S *	3/2010	Tsang	D10/15
D756,326 S *	5/2016	Holzer	D14/171

D821,890 S *	7/2018	Jin	D10/2
D860,494 S *	9/2019	Gebski	D26/52
D882,856 S	4/2020	Feng	

(Continued)

OTHER PUBLICATIONS

Wake Up Light Bluetooth Speaker | amazon.com; date first available May 8, 2019 [online]. © 1996-2022, Amazon.com, Inc [retrieved Nov. 29, 2022] from Internet: <<https://www.amazon.com/Bluetooth-Speaker-Speakers-Dimmable-Colorful/dp/B07RM3XGNP?th=1>>(Year: 2019).*

(Continued)

Primary Examiner — Katherine Glennon

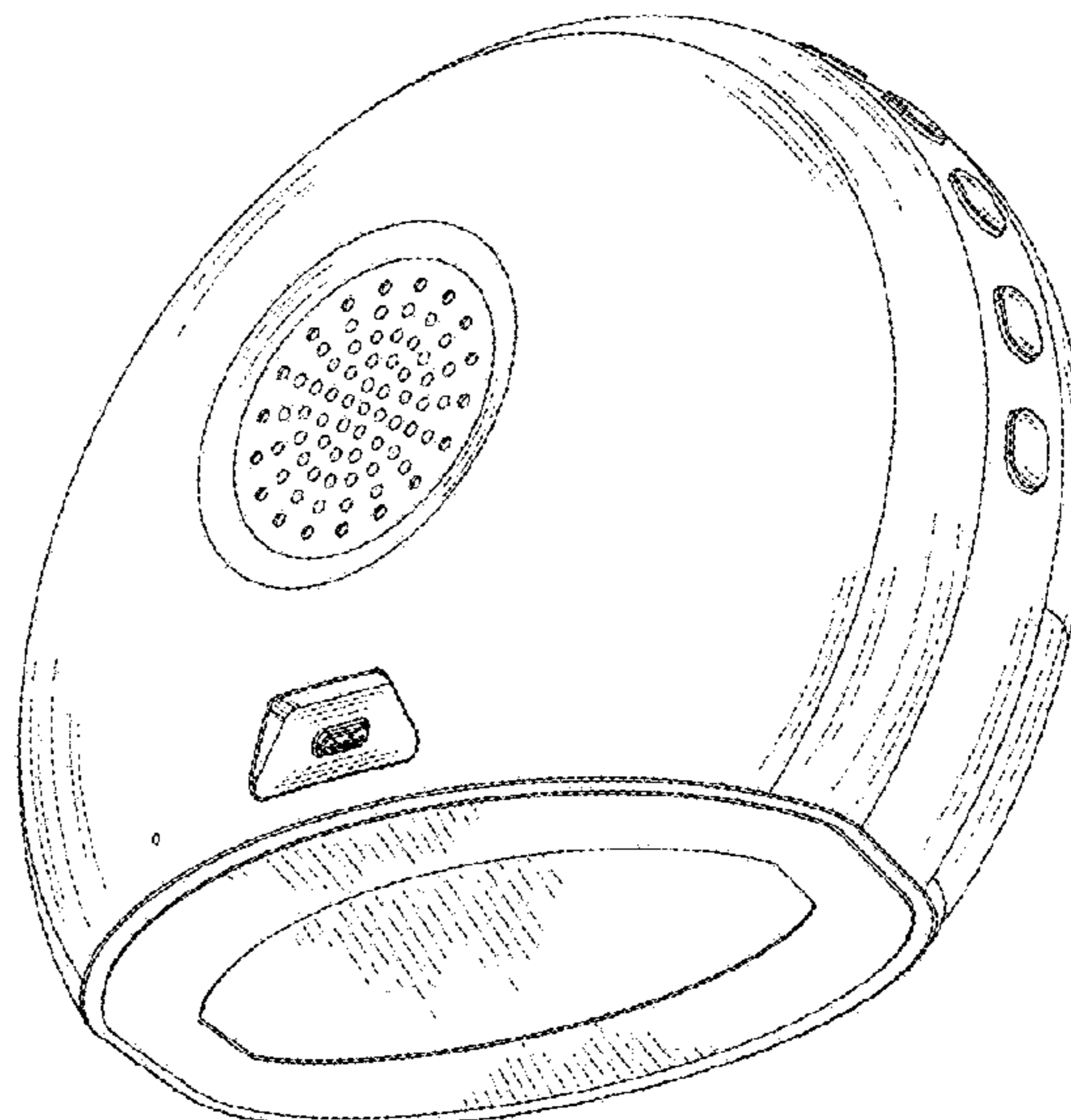
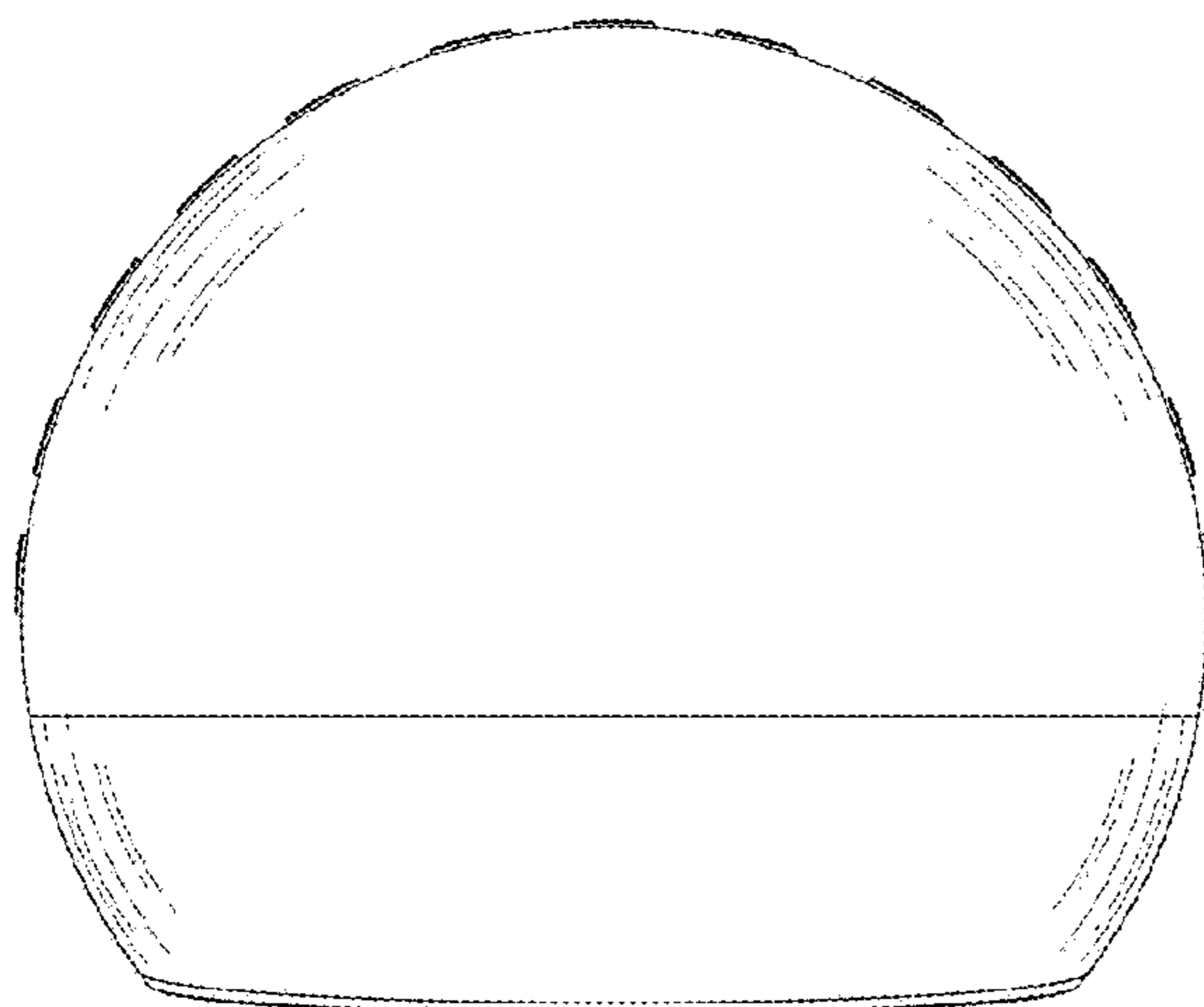
(57) **CLAIM**

The ornamental design for a combined alarm clock and night light, as shown and described.

DESCRIPTION

FIG. 1 is a perspective view of a combined alarm clock and night light design showing my new design.
FIG. 2 is a front view of the combined alarm clock and night light.
FIG. 3 is a rear view of the combined alarm clock and night light.
FIG. 4 is a left side view of the combined alarm clock and night light.
FIG. 5 is a right side view of the combined alarm clock and night light.
FIG. 6 is a top view of the combined alarm clock and night light.
FIG. 7 is a bottom view of the combined alarm clock and night light.
FIG. 8 is a rear side perspective view of the combined alarm clock and night light; and,
FIG. 9 is an enlarged detail view of area 9 shown in FIG. 3. The shading in the drawings shows surface contours of the combined alarm clock and night light and forms no part of the claimed design.

1 Claim, 9 Drawing Sheets



(56)

References Cited

U.S. PATENT DOCUMENTS

D890,406	S	7/2020	Chen	
D911,539	S *	2/2021	Li	D24/210
D917,415	S *	4/2021	DeMaio	D10/22
D918,862	S *	5/2021	Feng	D14/204
D933,040	S *	10/2021	Lin	D14/204
D939,749	S *	12/2021	Zhao	D24/210
D939,968	S	1/2022	Zhao	
D950,782	S	5/2022	Shen	
D959,726	S	8/2022	Chen	
D966,905	S *	10/2022	Xie	D10/15
2021/0304744	A1 *	9/2021	Pawar	F21V 33/0056

OTHER PUBLICATIONS

Hatch Restore Sound Machine Smart Light | amazon.com; date first available Apr. 24, 2020 [online]. © 1996-2022, Amazon.com, Inc [retrieved Nov. 29, 2022] from Internet: <https://www.amazon.com/Hatch-Restore-Machine-Personal-Routine/dp/B087M94WWW?ref=ast_sto_dp> (Year: 2020).*

Sunrise Alarm Clock Wake Up Light | amazon.com; date first avail. Jul. 13, 2021 [online]. © 1996-2022, Amazon.com, Inc [retrieved Nov. 29, 2022] from Internet: <https://www.amazon.com/Sunrise-Natural-Simulation-Sleepers-Bedrooms/dp/B0999749G9?ref=ast_sto_dp&th=1&psc=1> (Year: 2021).*

* cited by examiner

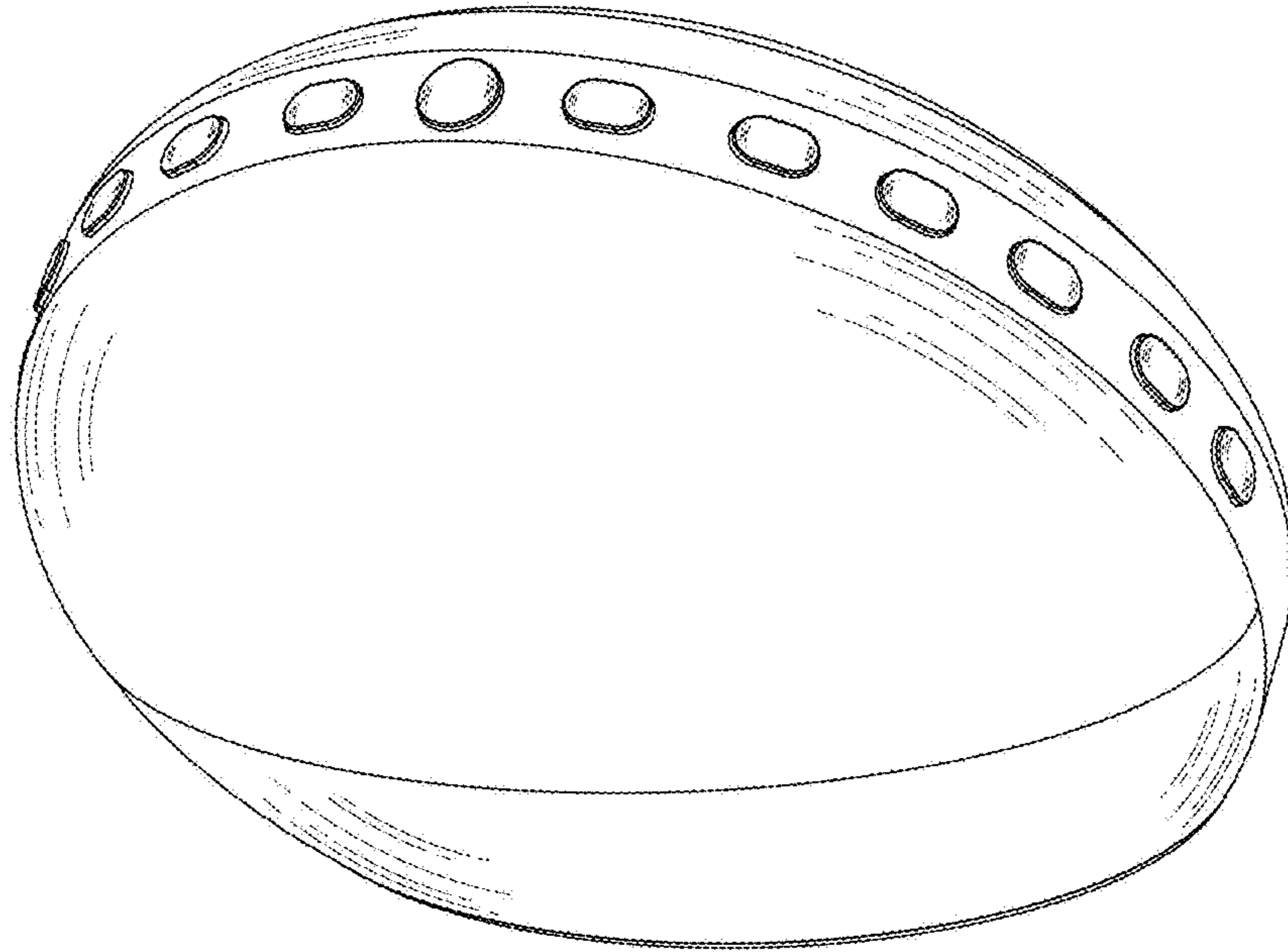


FIG. 1

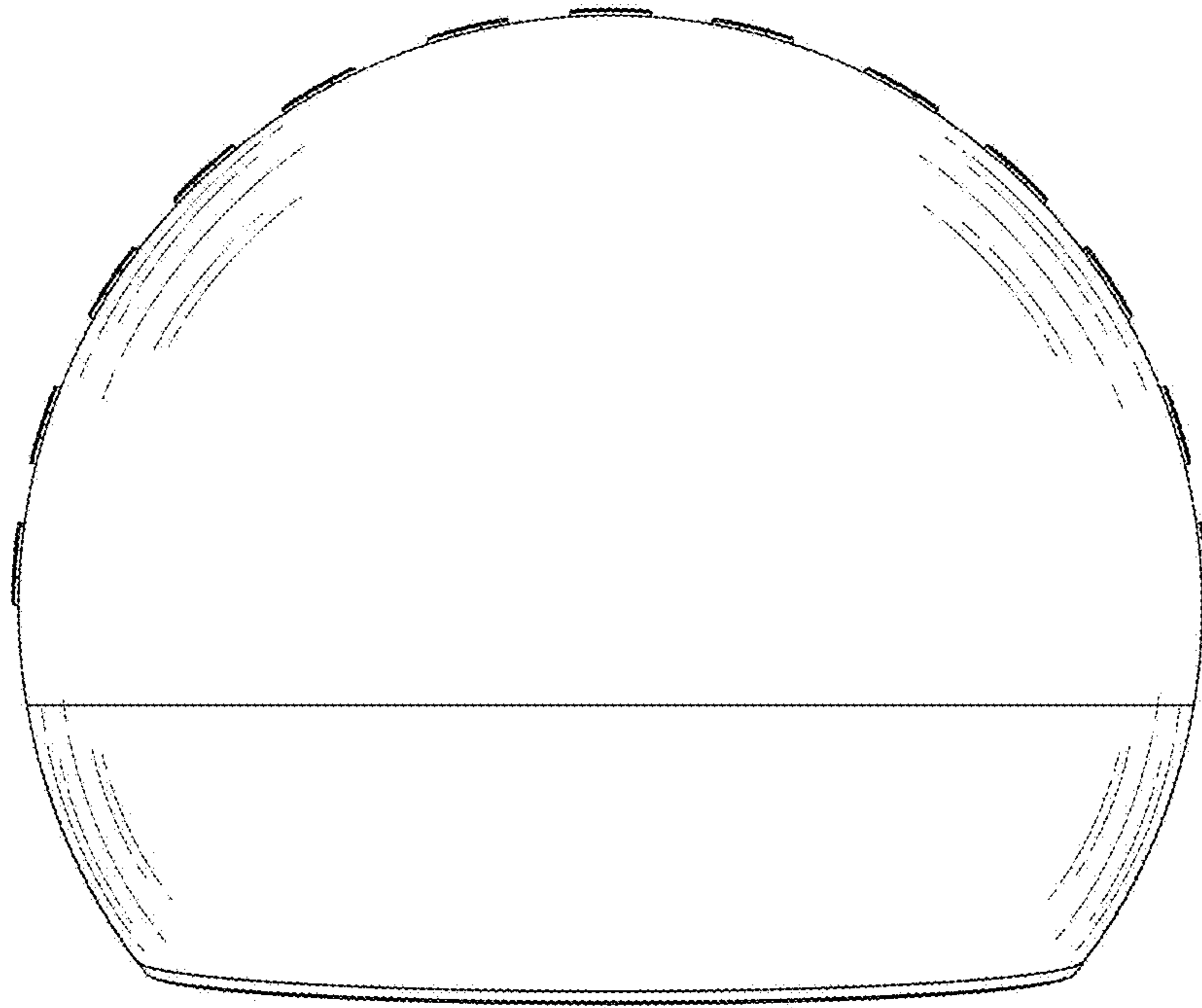


FIG. 2

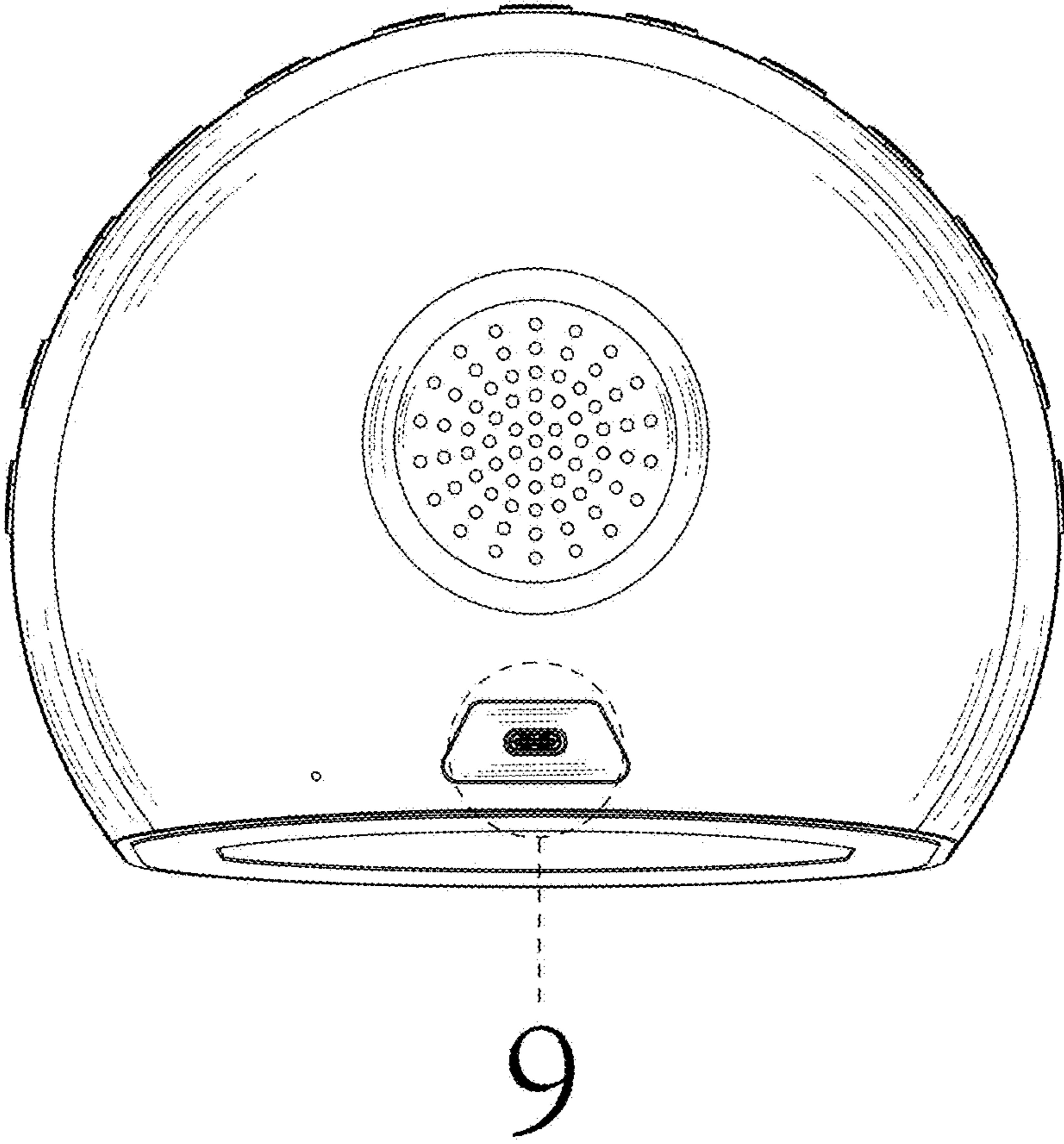


FIG. 3

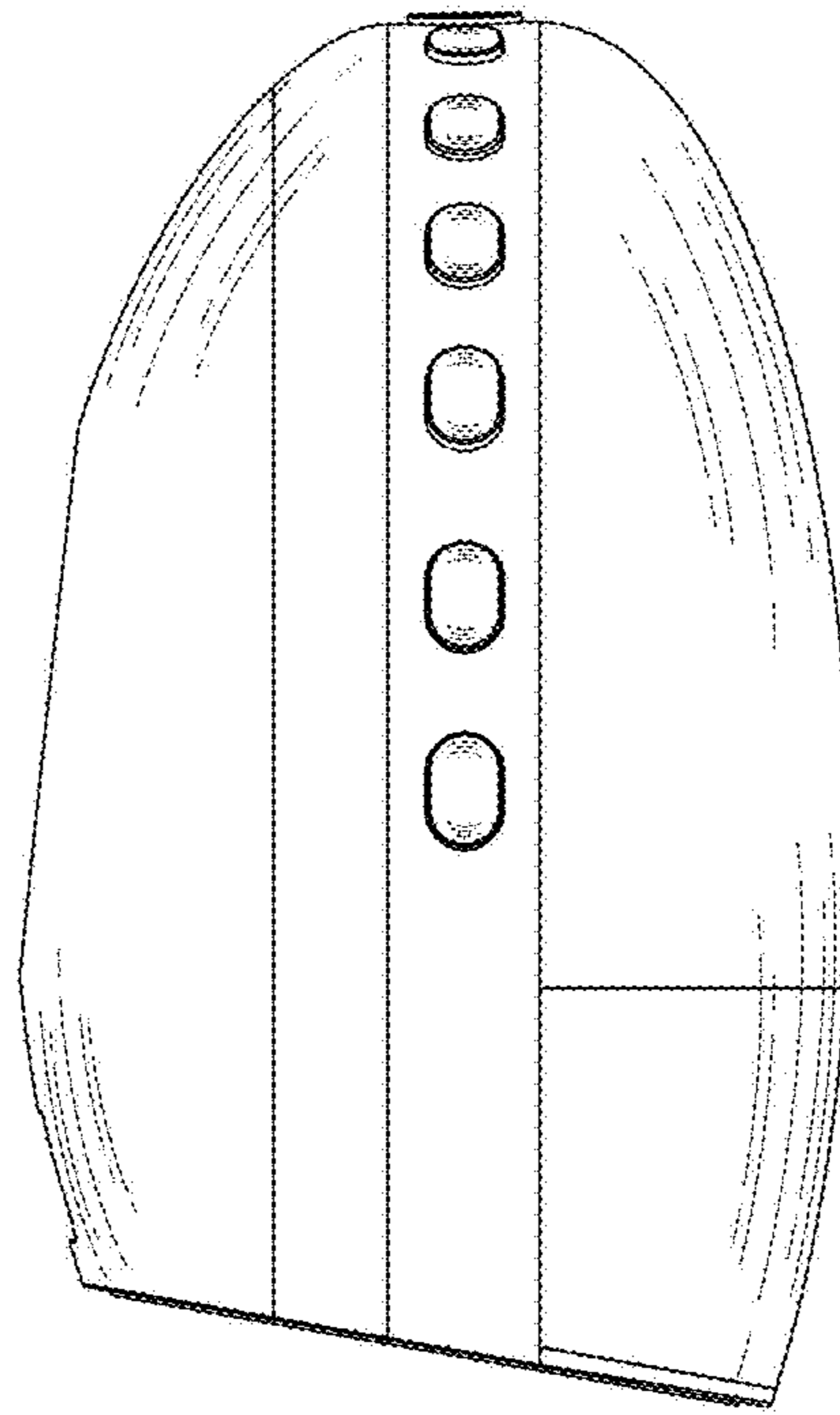


FIG. 4

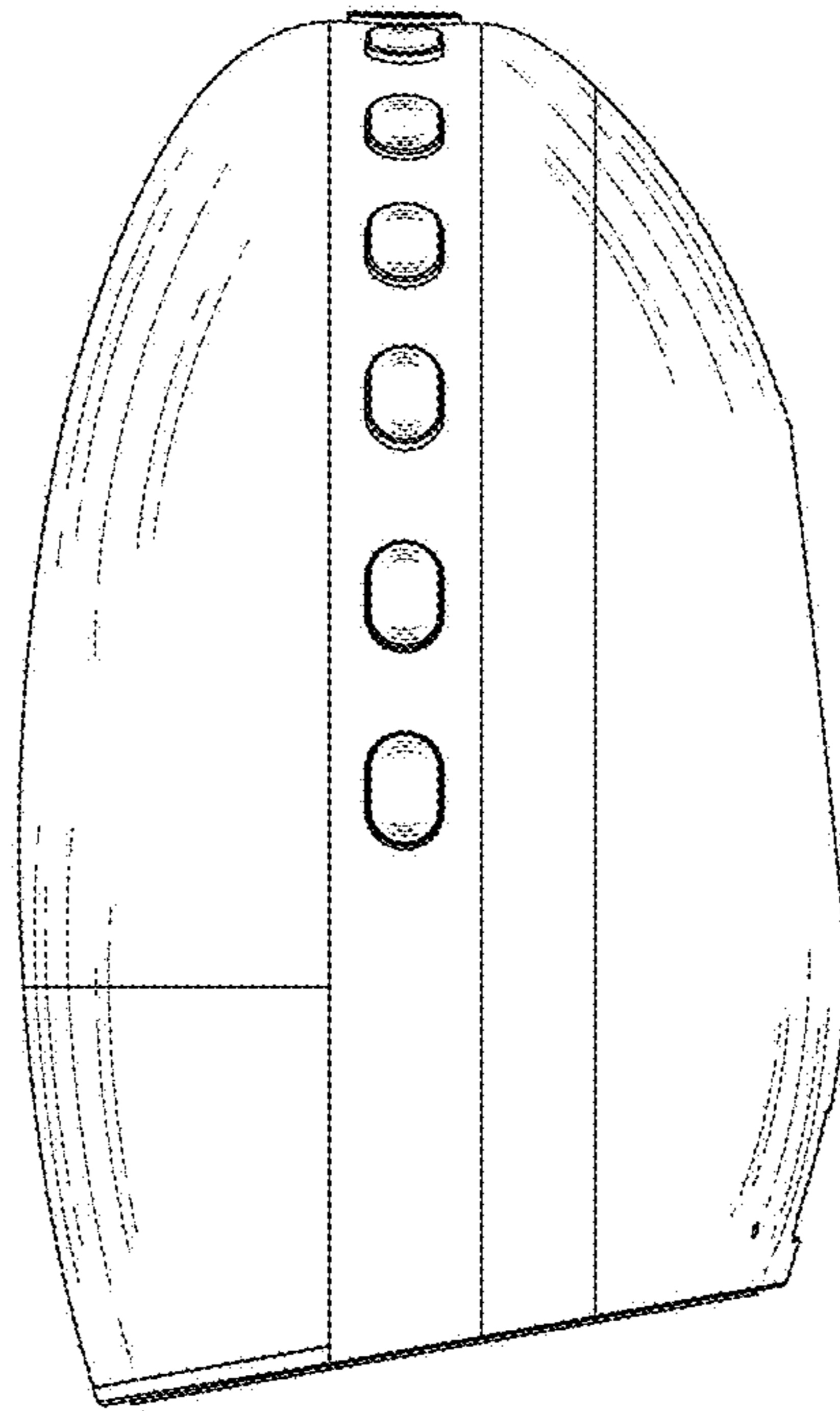


FIG. 5

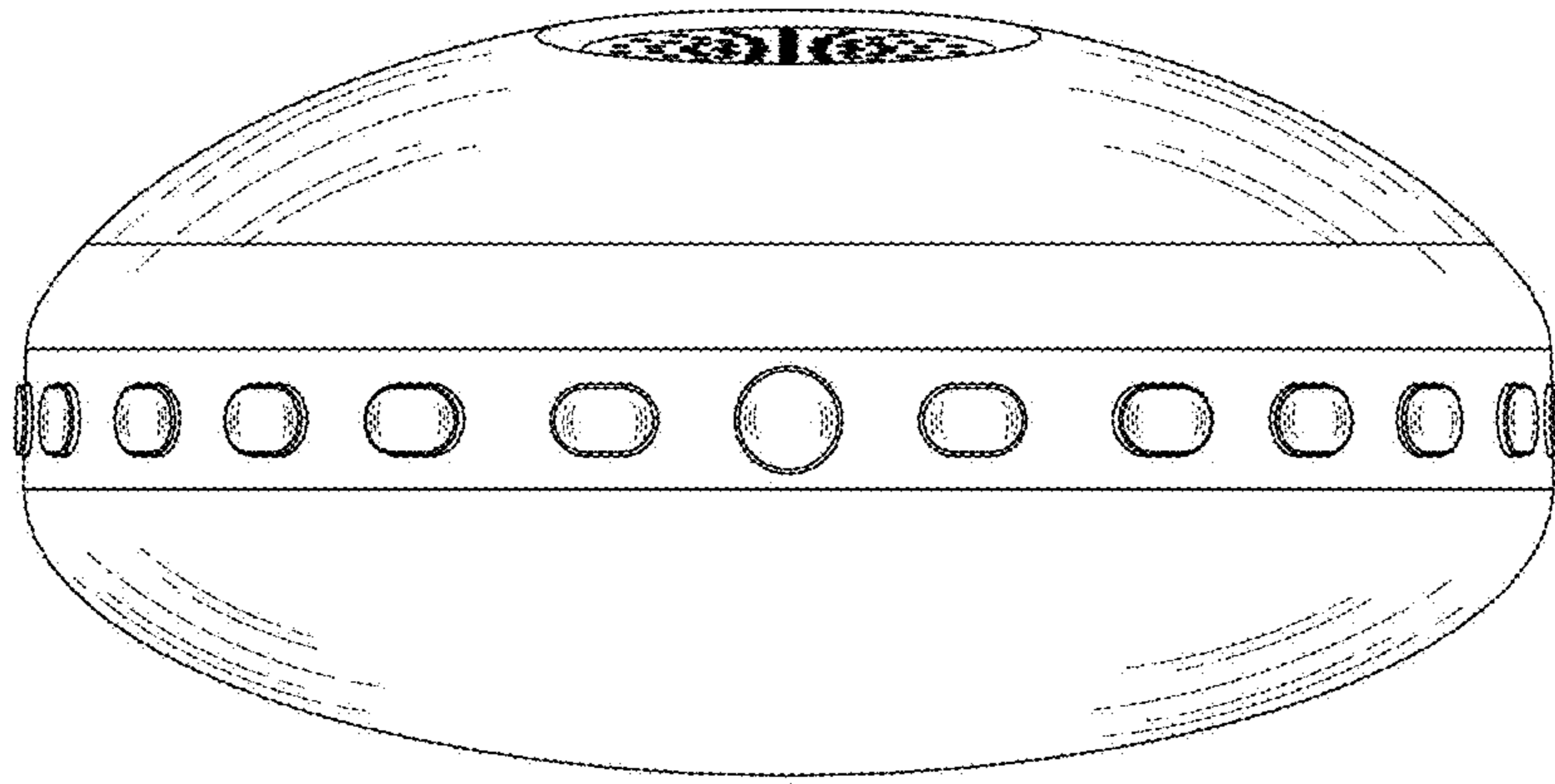


FIG. 6

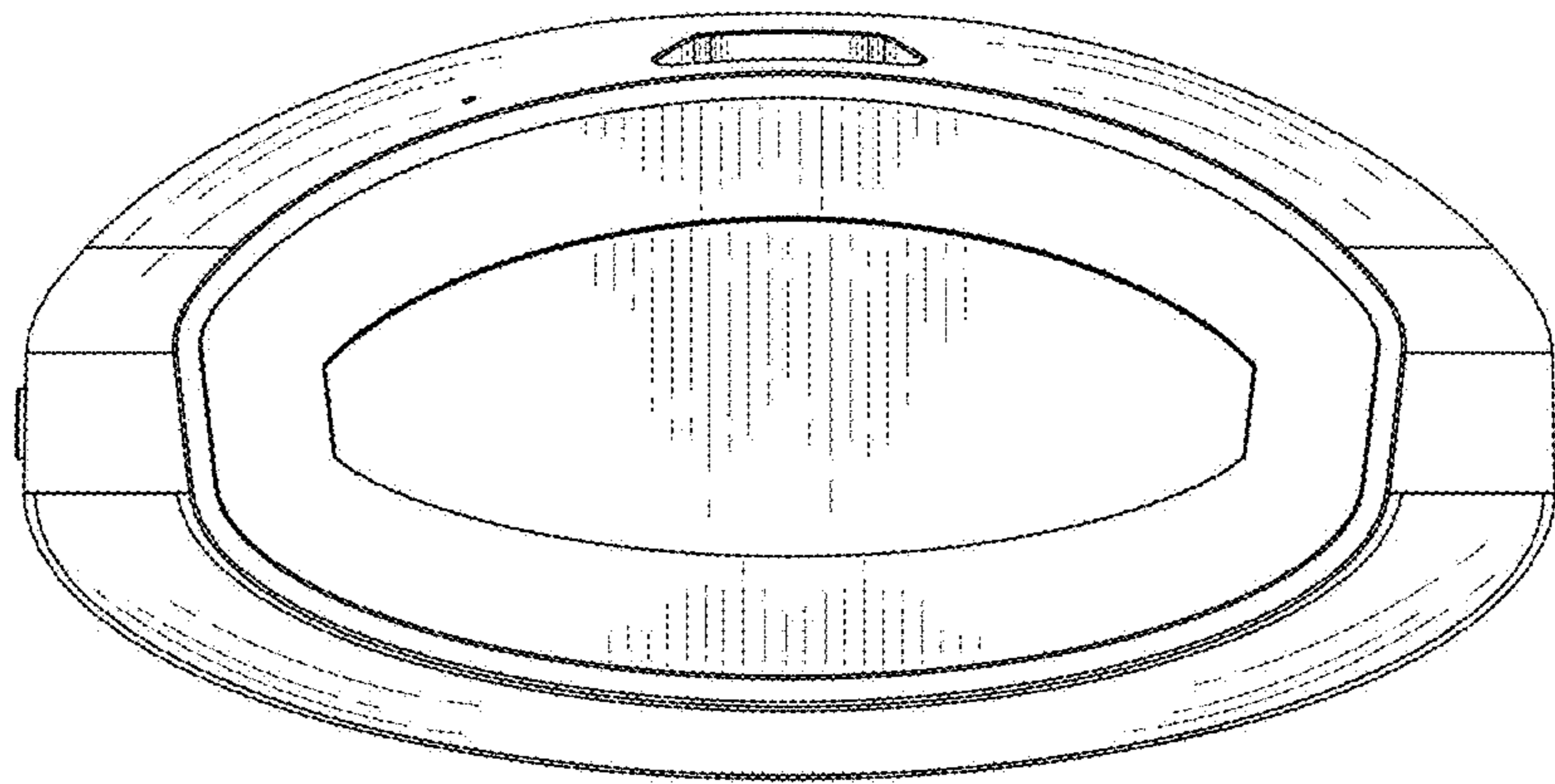


FIG. 7

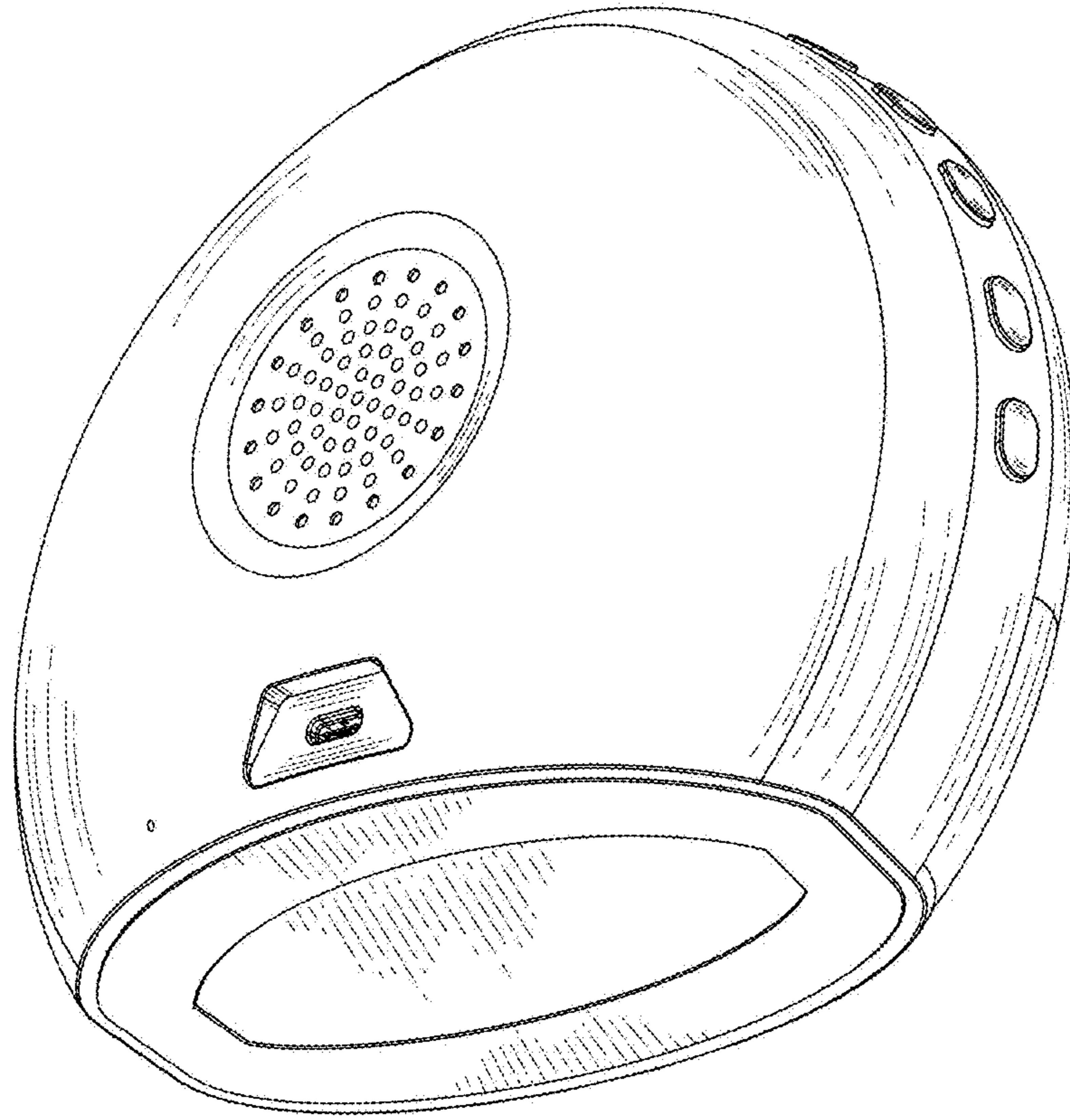


FIG. 8

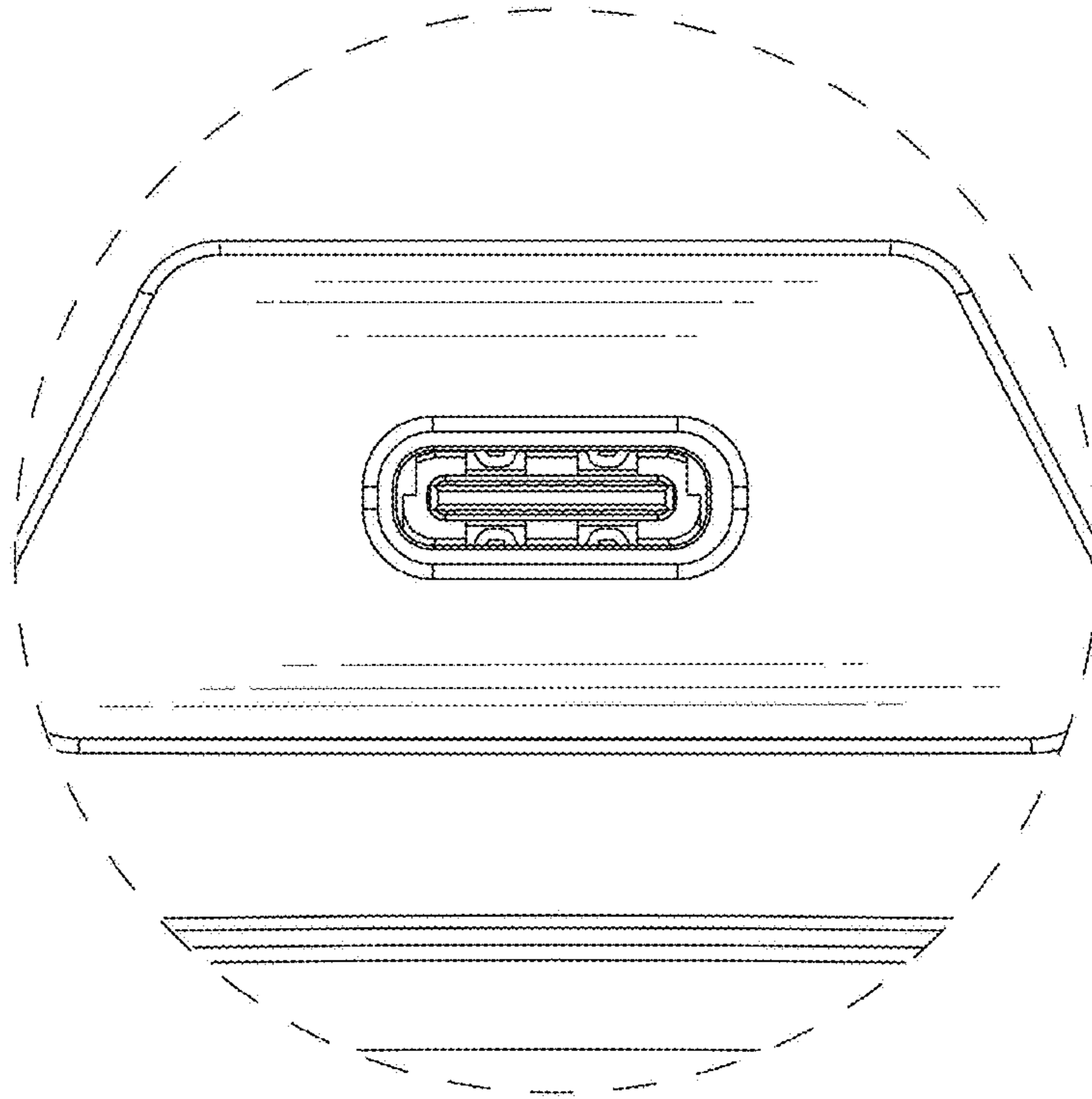


FIG. 9