



US00D982457S

(12) **United States Design Patent** (10) **Patent No.:** **US D982,457 S**
L'Heureux et al. (45) **Date of Patent:** **** Apr. 4, 2023**

(54) **CONTAINER CARRIER**

(71) Applicants: **Kevin Alan L'Heureux**, Santa Clarita, CA (US); **Keith James Elliott**, San Marcos, CA (US)

(72) Inventors: **Kevin Alan L'Heureux**, Santa Clarita, CA (US); **Keith James Elliott**, San Marcos, CA (US)

(73) Assignee: **FISHBONE PACKAGING INC.**

(**) Term: **15 Years**

(21) Appl. No.: **29/772,724**

(22) Filed: **Mar. 3, 2021**

(51) **LOC (14) Cl.** **09-03**

(52) **U.S. Cl.**
USPC **D9/752**

(58) **Field of Classification Search**
USPC D9/414-415, 424-425, 432-433, D9/503-504, 715, 737, 756, 759,
(Continued)

(56) **References Cited**

U.S. PATENT DOCUMENTS

2,874,835 A 2/1959 Poupitch
2,929,181 A 3/1960 Poupitch
(Continued)

FOREIGN PATENT DOCUMENTS

CA 2133827 A1 10/1993
DE 20319247 U1 * 5/2004 B65D 71/42
(Continued)

OTHER PUBLICATIONS

"Paperboard Can Handle Applicator," as seen in Packaging World Online. Date first available:2020. Site visited: Sep. 13, 2022. Available online: <https://www.packworld.com/news/sustainability/article/21202650/paperboard-can-handle-applicator> (Year: 2020).*

(Continued)

Primary Examiner — Catherine S Posthauer

Assistant Examiner — Joan E. Diehl

(74) *Attorney, Agent, or Firm* — QuickPatents, LLC; Kevin Prince

(57) **CLAIM**

The ornamental design for a container carrier, as shown and described.

DESCRIPTION

FIG. 1 is a front perspective view of a container carrier, showing a first embodiment of our new design in a folded configuration;

FIG. 2 is an exploded rear perspective view of FIG. 1;

FIG. 3 is an exploded front elevational view of FIG. 1;

FIG. 4 is an exploded rear elevational view of FIG. 1;

FIG. 5 is an exploded left-side elevational view of FIG. 1, the right side elevational view being a mirror image thereof;

FIG. 6 is an exploded top plan view of FIG. 1;

FIG. 7 is an exploded bottom plan view of FIG. 1;

FIG. 8 is an exploded top plan view thereof, illustrated in a flat configuration;

FIG. 9 is a front perspective view of the container carrier, showing a second embodiment of our new design in the folded configuration;

FIG. 10 is an exploded rear perspective view of FIG. 9;

FIG. 11 is an exploded front elevational view of FIG. 9;

FIG. 12 is an exploded rear elevational view of FIG. 9;

FIG. 13 is an exploded left-side elevational view of FIG. 9, the right side elevational view being a mirror image thereof;

FIG. 14 is an exploded top plan view of FIG. 9;

FIG. 15 is an exploded bottom plan view of FIG. 9;

FIG. 16 is an exploded top plan view thereof, illustrated in the flat configuration;

FIG. 17 is a front perspective view of a container carrier, showing a third embodiment of our new design in the folded configuration;

FIG. 18 is an exploded rear perspective view of FIG. 17;

FIG. 19 is an exploded front elevational view of FIG. 17;

FIG. 20 is an exploded rear elevational view of FIG. 17;

FIG. 21 is an exploded left-side elevational view of FIG. 17, the right side elevational view being a mirror image thereof;

FIG. 22 is an exploded top plan view of FIG. 17;

(Continued)

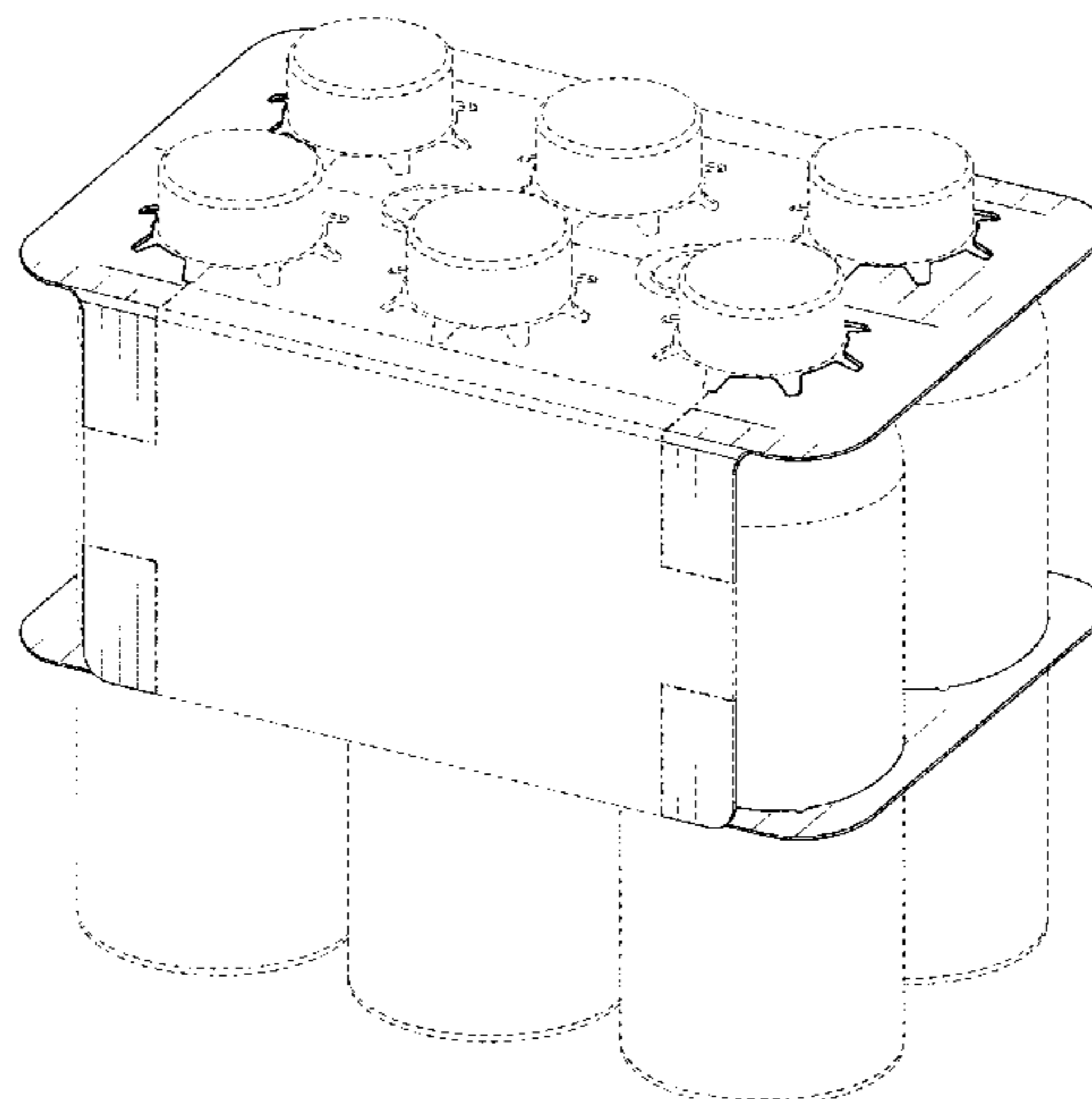


FIG. 23 is an exploded bottom plan view of FIG. 17; and, FIG. 24 is an exploded top plan view thereof, illustrated in the flat configuration.

The broken lines showing bottles in FIGS. 1 and 9, and cans in FIG. 17 depict environmental subject matter and form no part of the claimed design. The dot-dash style broken lines represent a boundary of the claimed design. The remaining broken lines represent portions of the container carrier that form no part of the claimed design.

1 Claim, 21 Drawing Sheets

(58) **Field of Classification Search**

USPC D9/760–761; D3/273, 201, 283, 284, D3/286, 295, 903; 220/669–673, 675, 220/574–575, 573.1; D11/143; 206/148, 206/427, 161; 294/87.2; D7/601–602, D7/550.1, 553.1, 554.1, 554.3, 555, 557
 CPC B65D 71/50; B65D 71/504; B65D 71/40; B65D 71/00; B65D 2571/00; B65D 2571/00006; B65D 2571/00444; B65D 73/0064; B65D 73/0071; B65D 73/0078; B65D 73/0085; B65D 75/04; B31B 50/006

See application file for complete search history.

(56) **References Cited**

U.S. PATENT DOCUMENTS

3,073,644	A	1/1963	Baker	
3,094,210	A	6/1963	Van Den Berg	
3,302,364	A	2/1967	Rice	
3,317,234	A	5/1967	Burford	
3,353,729	A	11/1967	Hull	
3,383,827	A	5/1968	Schaich	
3,867,807	A	2/1975	Doucette	
3,912,075	A	10/1975	Berry	
3,977,150	A	8/1976	Culpepper	
4,121,401	A	10/1978	Duerr	
4,136,772	A	1/1979	Mascia	
4,190,149	A *	2/1980	Oliff	B65D 71/42 206/148
4,213,283	A	7/1980	Calvert	
D266,646	S *	10/1982	Beton	B65D 71/46 D9/753
4,453,630	A *	6/1984	Helms	B65D 71/50 206/148
4,641,483	A	2/1987	Yamauchi	
D294,331	S *	2/1988	Panazzolo	B65D 71/44 D9/752
5,125,506	A	6/1992	Galbierz	
5,188,225	A	2/1993	Jorba	
5,237,796	A	8/1993	Bonkowski	
5,263,299	A	11/1993	Galbierz	
5,320,216	A	6/1994	Pangborn	
5,323,895	A *	6/1994	Sutherland	B65D 71/40 206/161
5,553,704	A	9/1996	Gordon	
5,639,137	A *	6/1997	Bakx	B65D 71/46 294/87.2
5,711,419	A *	1/1998	Beales	B65D 71/40 206/148
5,845,776	A *	12/1998	Galbierz	B65D 71/48 206/427

6,293,392	B1 *	9/2001	Galbierz	B65D 71/40 206/427
6,394,272	B1	5/2002	Domansky	
7,690,507	B2 *	4/2010	Sutherland	B65D 75/46 206/427
D854,424	S	7/2019	Lauria	
D881,021	S *	4/2020	Bandinu	B65D 71/40 D9/755
D881,718	S *	4/2020	Bandinu	B65D 71/40 D9/755
D918,057	S *	5/2021	L'Heureux	B65D 71/40 D9/752
D918,058	S *	5/2021	L'Heureux	B65D 71/42 D9/752
11,401,095	B2 *	8/2022	Rosenbrien	B65D 71/44
2009/0101526	A1	4/2009	Sutherland	
2012/0227361	A1	9/2012	Bates	
2019/0233145	A1	8/2019	Kooc	

FOREIGN PATENT DOCUMENTS

EP	636096	A1	2/1995	
EP	3666684	A1 *	6/2020	B31B 50/006
FR	2363493	A1	3/1978	
GB	1333960	A	10/1973	
KR	200436669	Y1 *	9/2007	B31B 50/006

OTHER PUBLICATIONS

Paper-made Bottle Packaging. Date first available: Jan. 20, 2021. Site visited: Sep. 12, 2022. Available online: <https://www.trendhunter.com/trends/corrugated-bottle-carrier> (Year: 2021).*

International Search Report and Written Opinion dated May 14, 2015, for International Application No. PCT/US2015/010513, 7 pages.

Non-Final Office Action dated Apr. 6, 2017 of U.S. Appl. No. 14/591,495 by L'Heureux, K.A., et al., filed Jan. 7, 2015.

Restriction Requirement dated Feb. 27, 2016 of U.S. Appl. No. 14/591,495 by L'Heureux, K.A., et al., filed Jan. 7, 2015.

U.S. Appl. No. 14/591,495 by L'Heureux, K.A., et al., filed Jan. 7, 2015.

International Search Report and Written Opinion dated May 14, 2015, for International Application No. PCT/US2015/010513, 6 pages.

Non-Final Office Action dated Jul. 28, 2017 of U.S. Appl. No. 15/109,808 by L'Heureux, K. A., et al., filed Jul. 5, 2016.

Fishbone Packaging Inc., available Oct. 19, 2016, [online], [site visited Jul. 25, 2019]. Available from internet, URL: <https://web.archive.org/web/20161019103118/http://www.fishbonepackaging.co/> (Year: 2016).

Fishbone Packaging Inc., available Feb. 10, 2016, [online], [site visited Jul. 25, 2019]. Available from internet, URL: <https://web.archive.org/web/20160210131122/http://www.fishbonepackaging.co/> (Year: 2016).

Cup carrier, Cardboard, 6 compartments, available Jul. 25, 2019, [online], [site visited Jul. 25, 2019]. Available from internet, URL: https://www.vanderwindtverpakking.nl/en_US/p/cup-carrier-cardboard-6-compartments/16855/ (Year: 2019).

6 Hole Steam Table Adapter Plate—4 3/4", available Oct. 16, 2015, [online], [site visited Jul. 25, 2019]. Available from internet, URL: <http://www.webstaurantstore.com/6-hole-steam-table-adapter-plate-4-3-4/922ADP444.html> (Year: 2015).

Draagtrays Karton voor 6 glazen Wit—150 st/ds., available Jul. 25, 2019, [online], [site visited Jul. 25, 2019]. Available from internet URL: <https://www.disposabledirect.nl/draagtrays-karton-voor-6-glazen-150-st-ds.html> (Year: 2019).

* cited by examiner

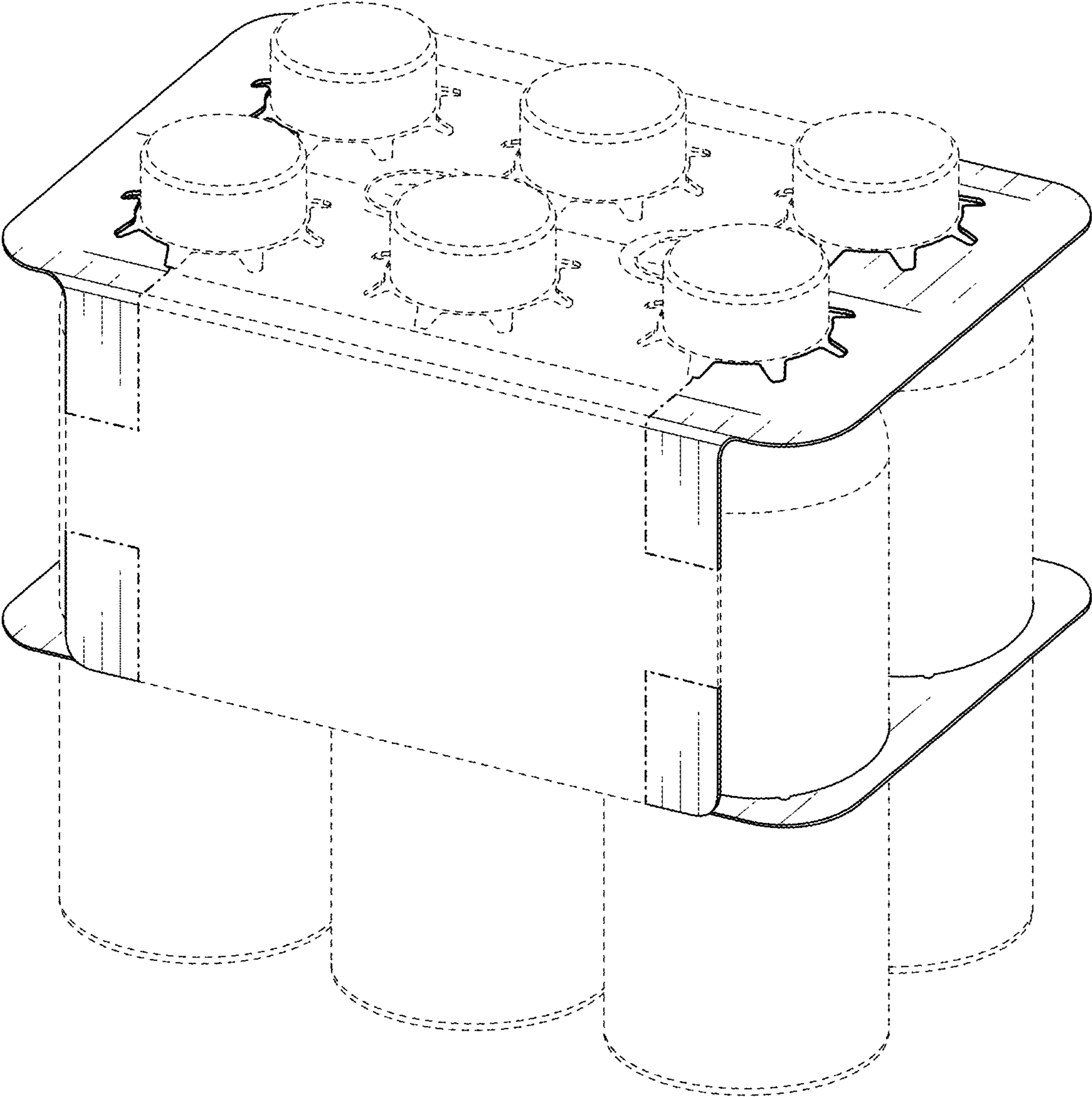


FIG. 1

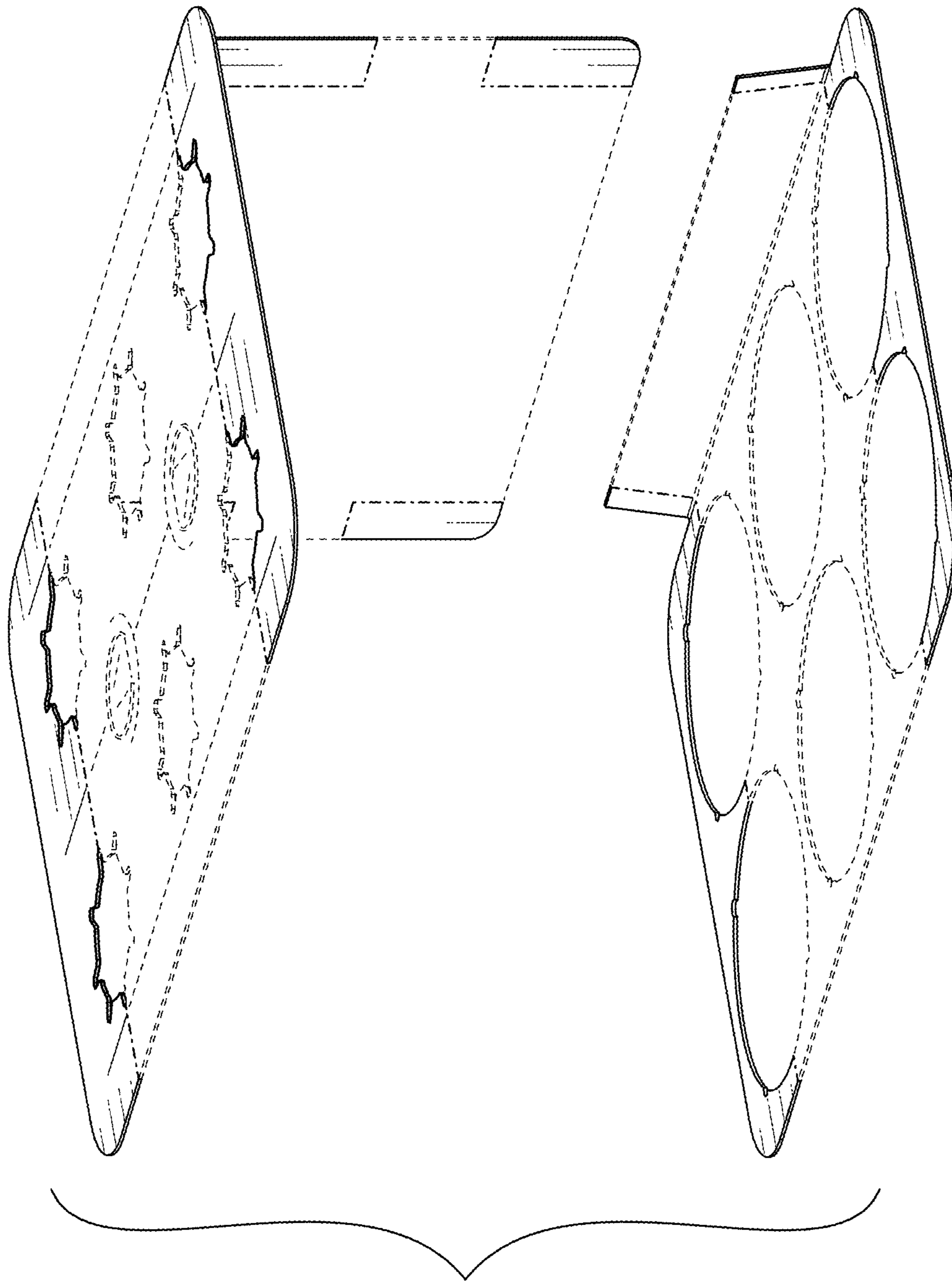


FIG. 2

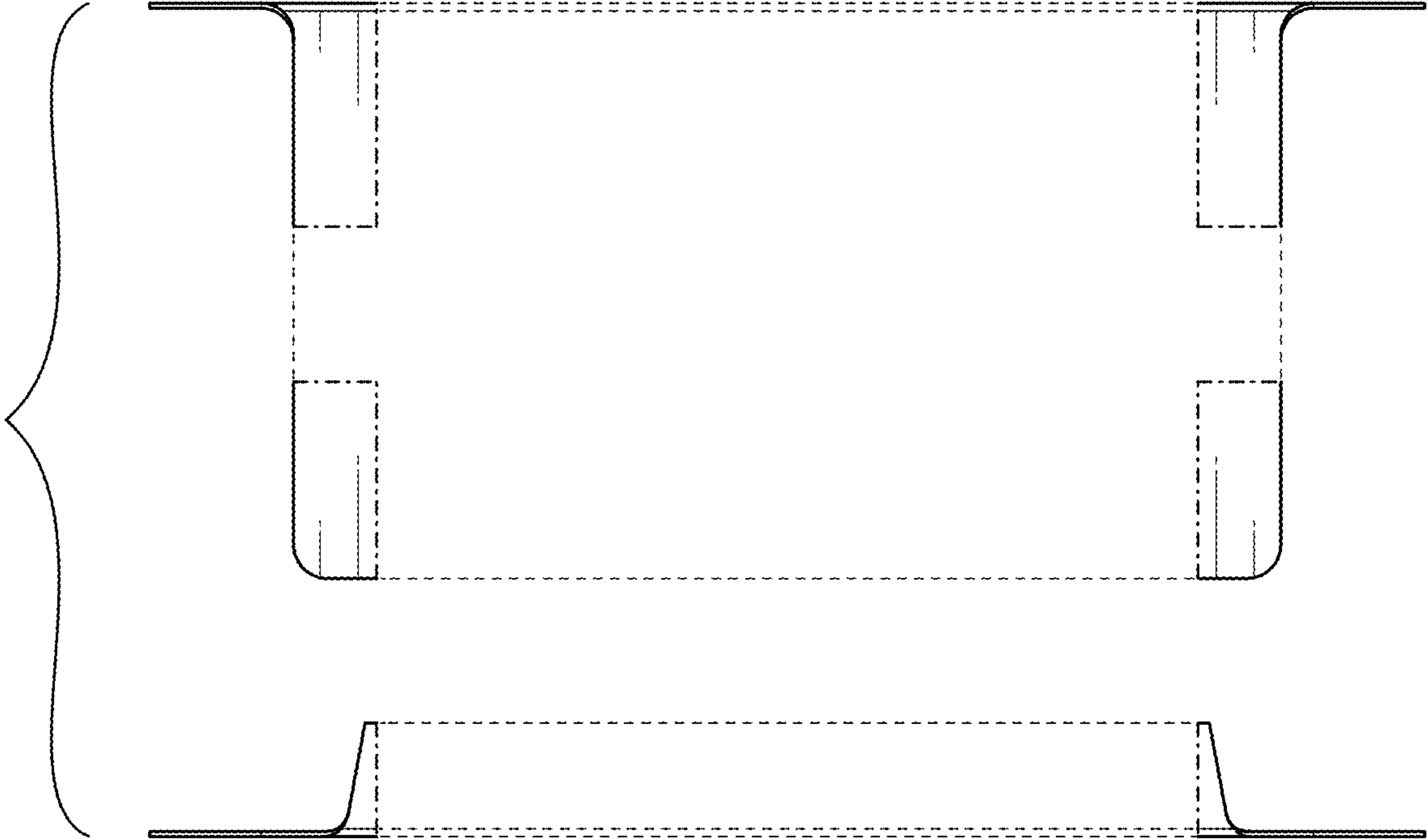


FIG. 3

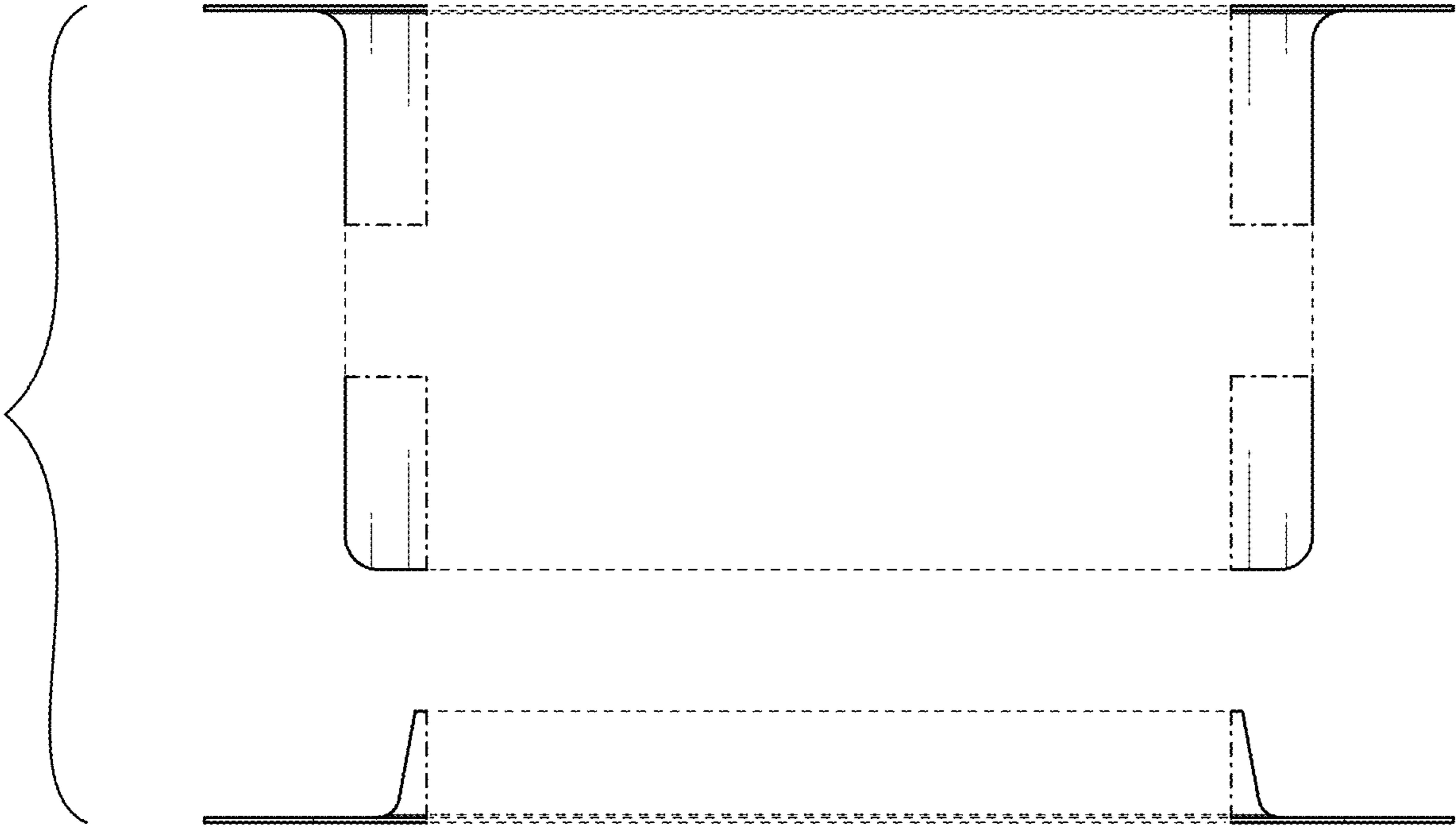


FIG. 4



FIG. 5

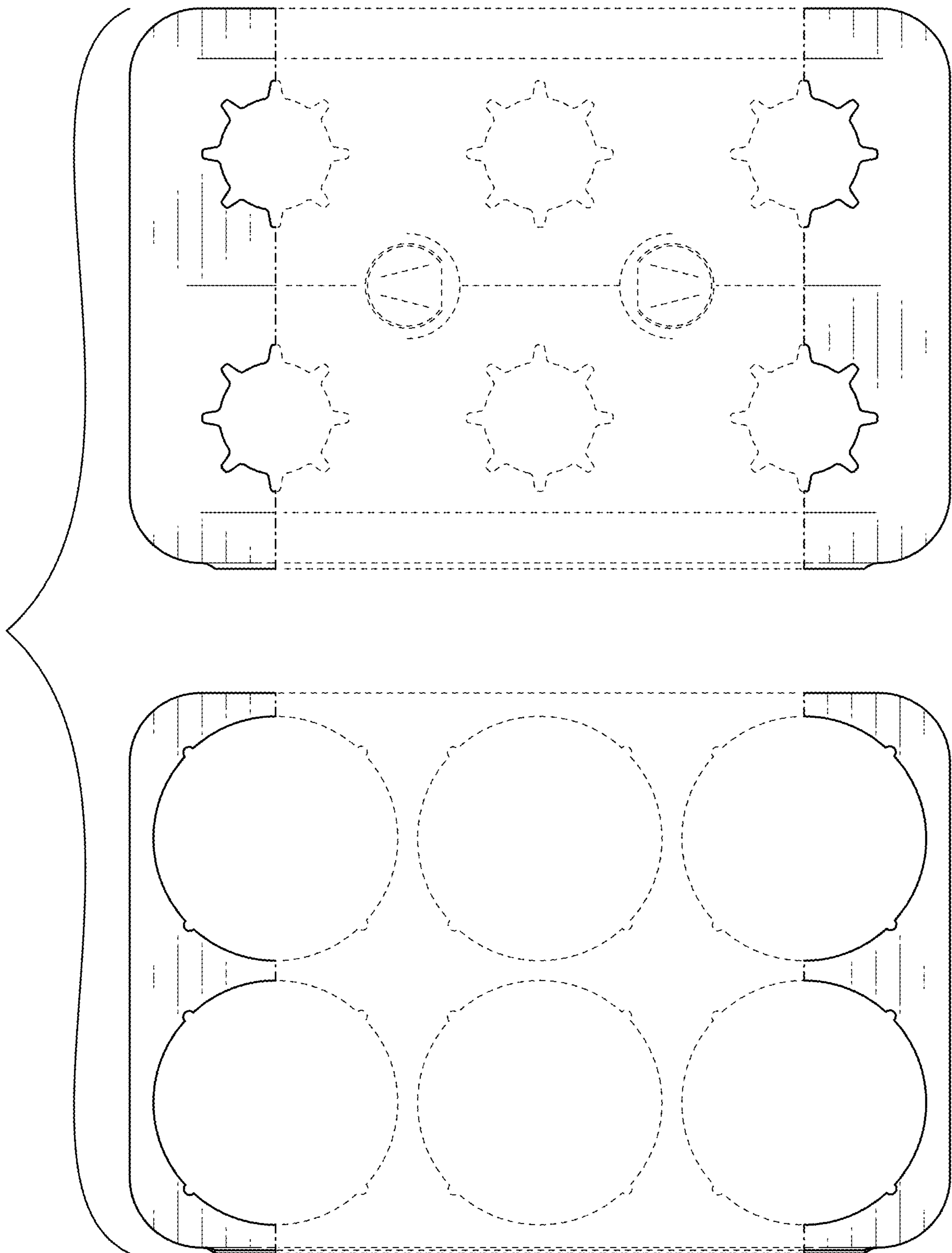


FIG. 6

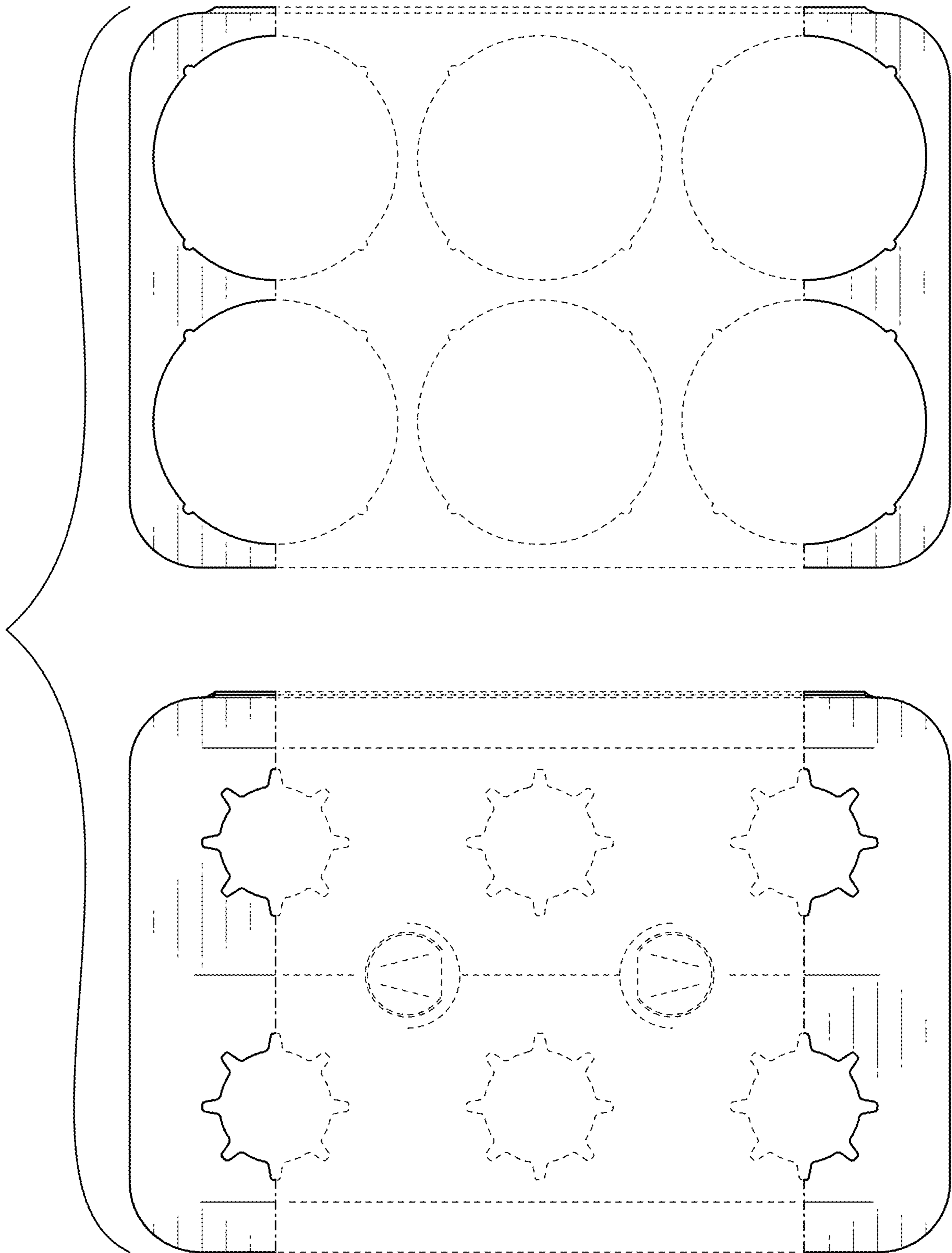


FIG. 7

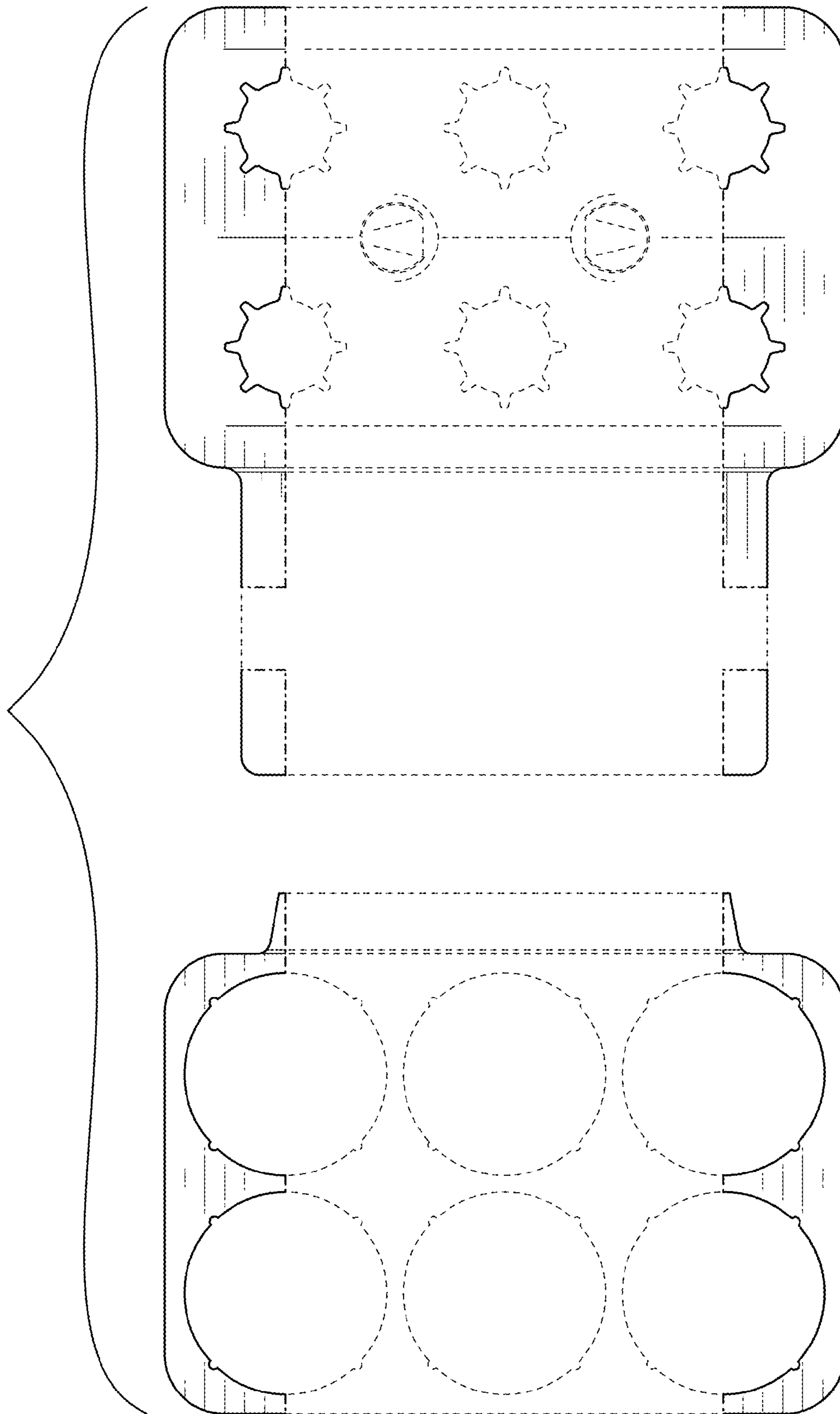


FIG. 8

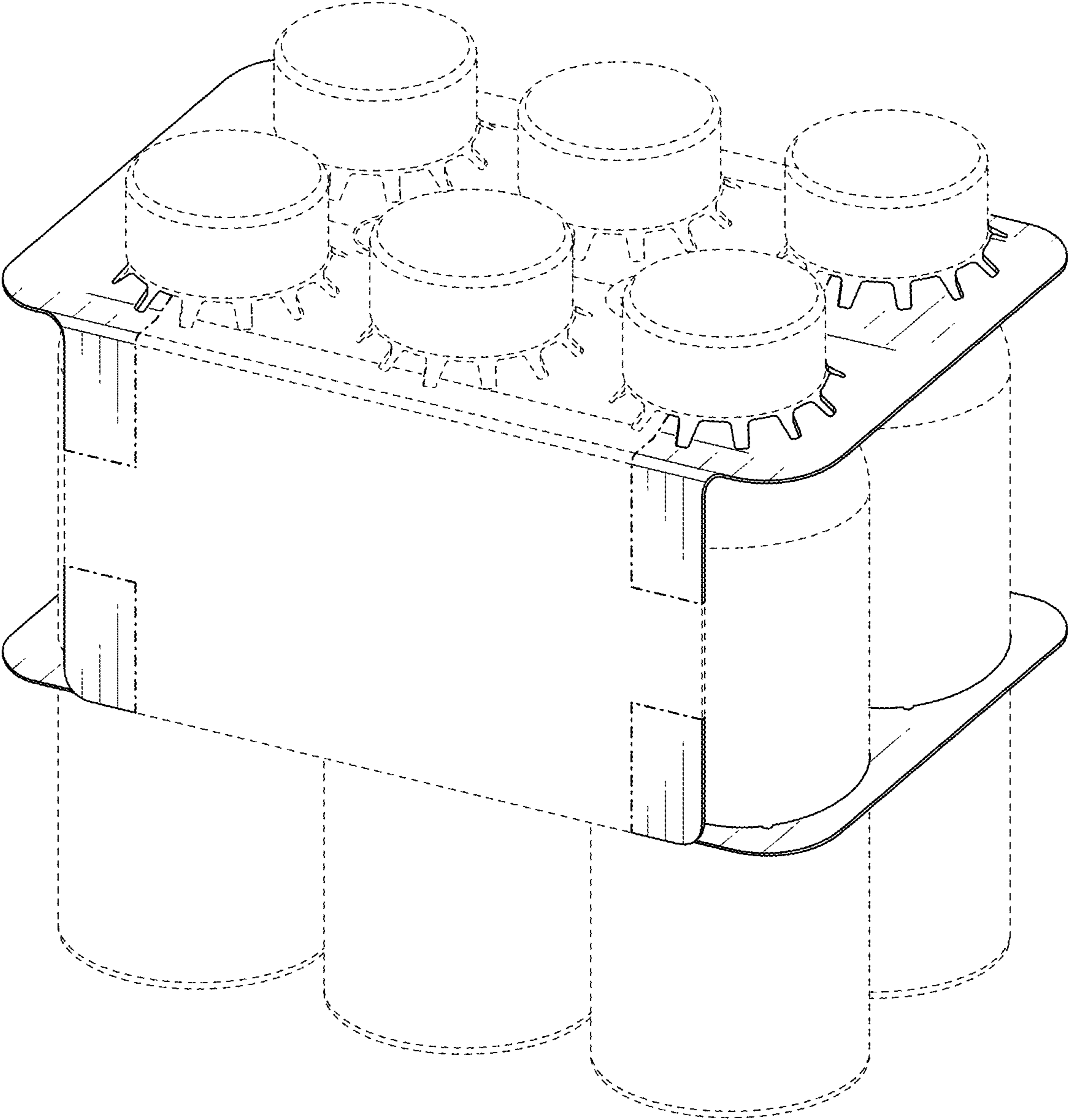


FIG. 9

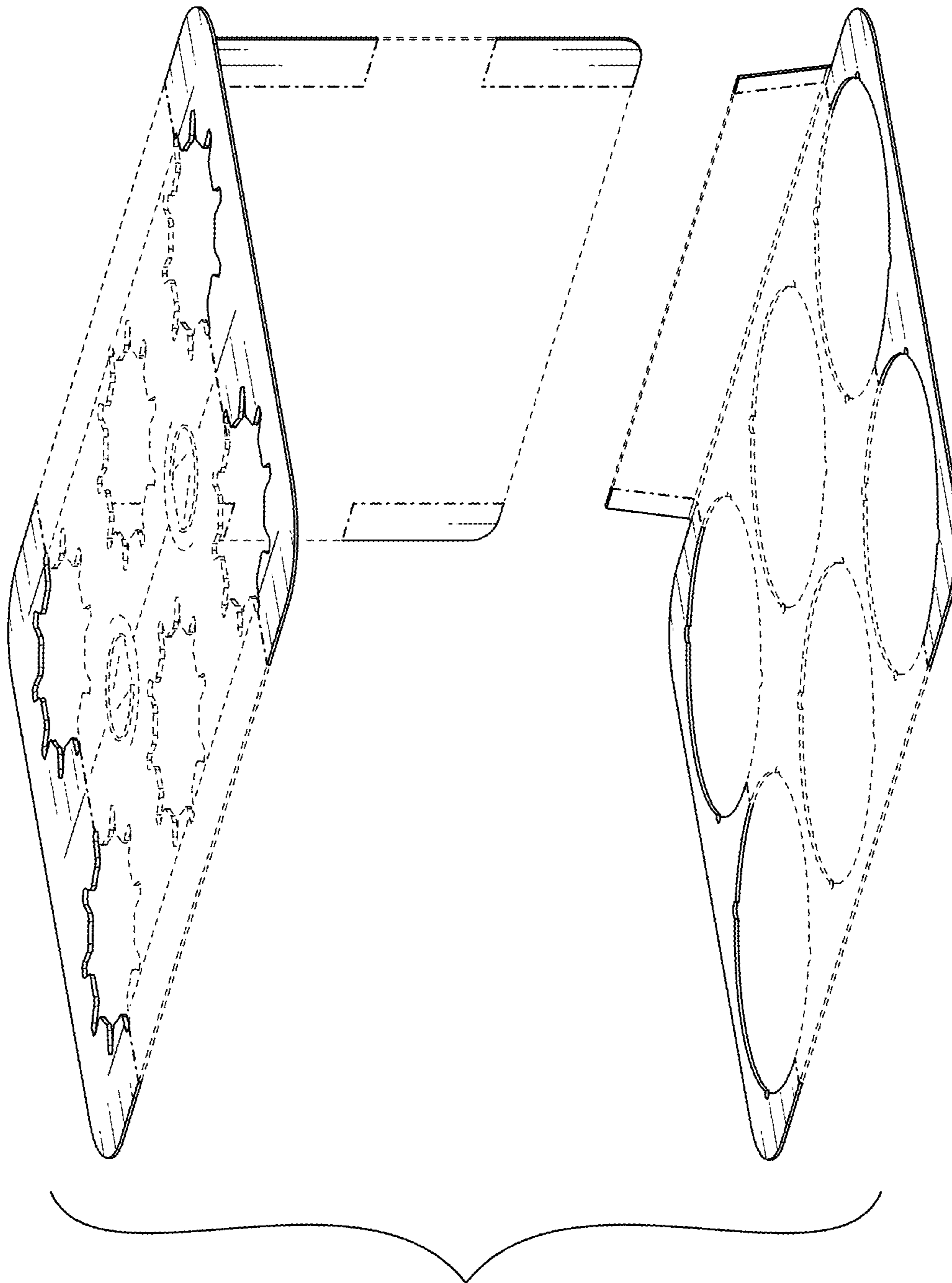


FIG. 10

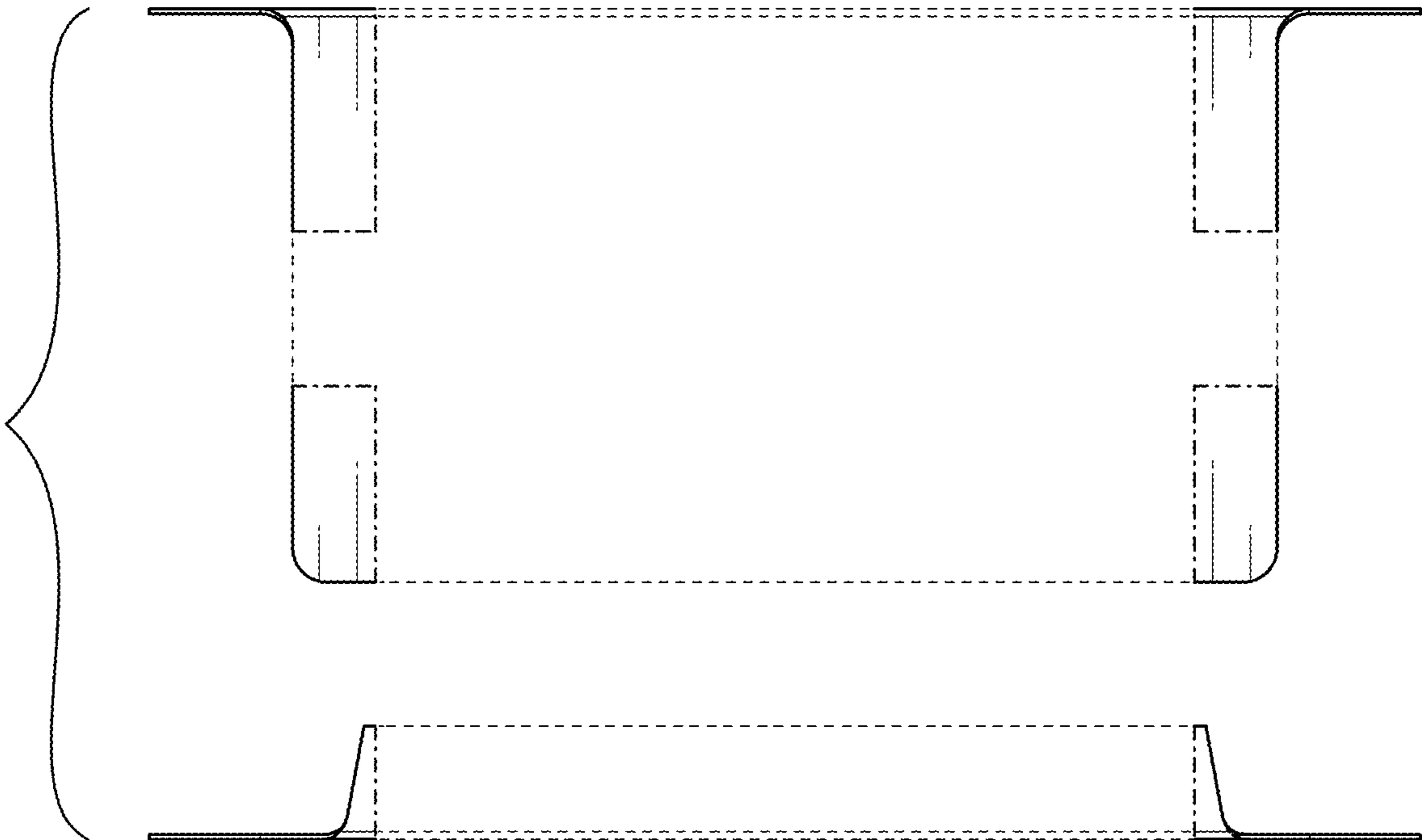


FIG. 11

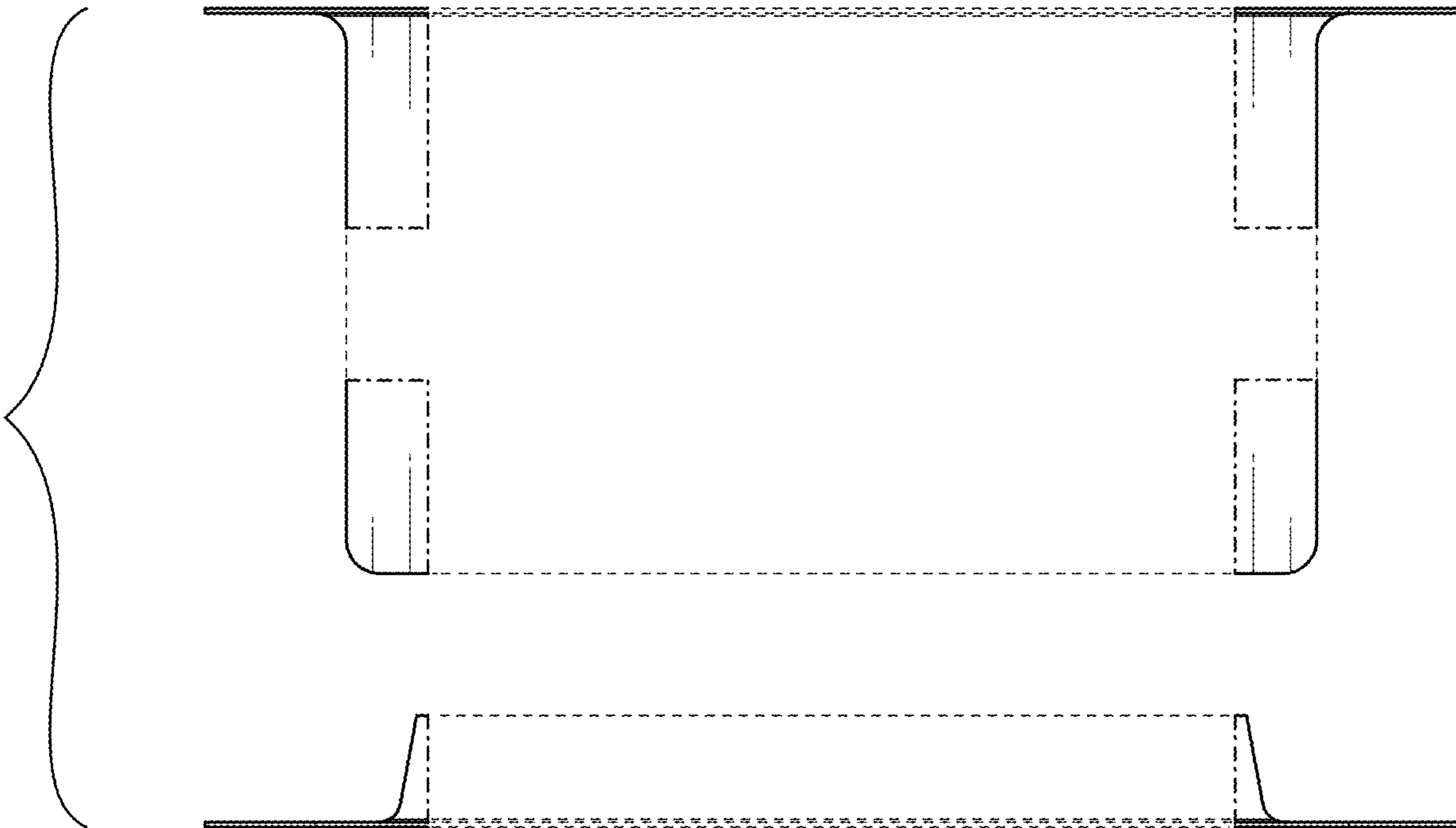


FIG. 12



FIG. 13

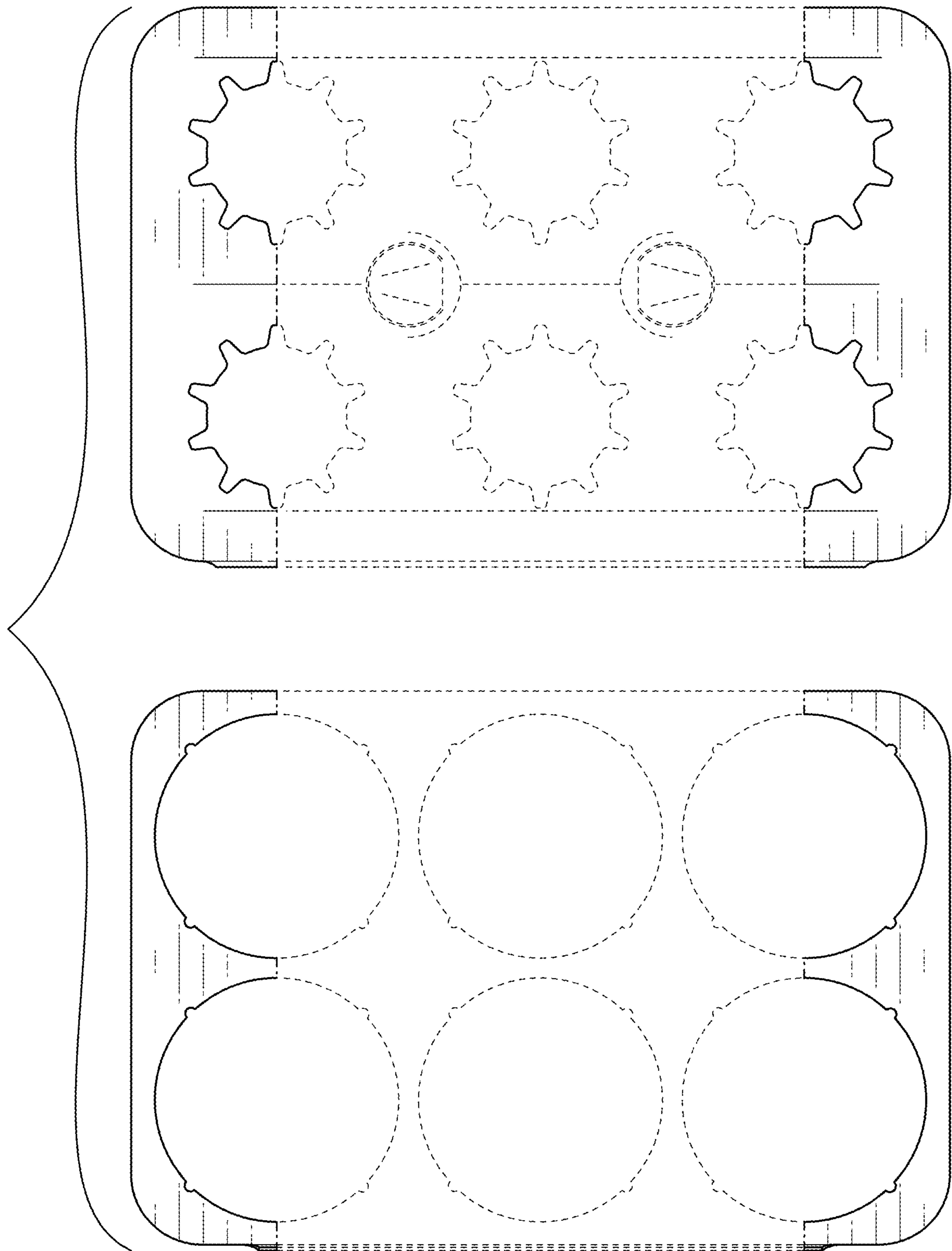


FIG. 14

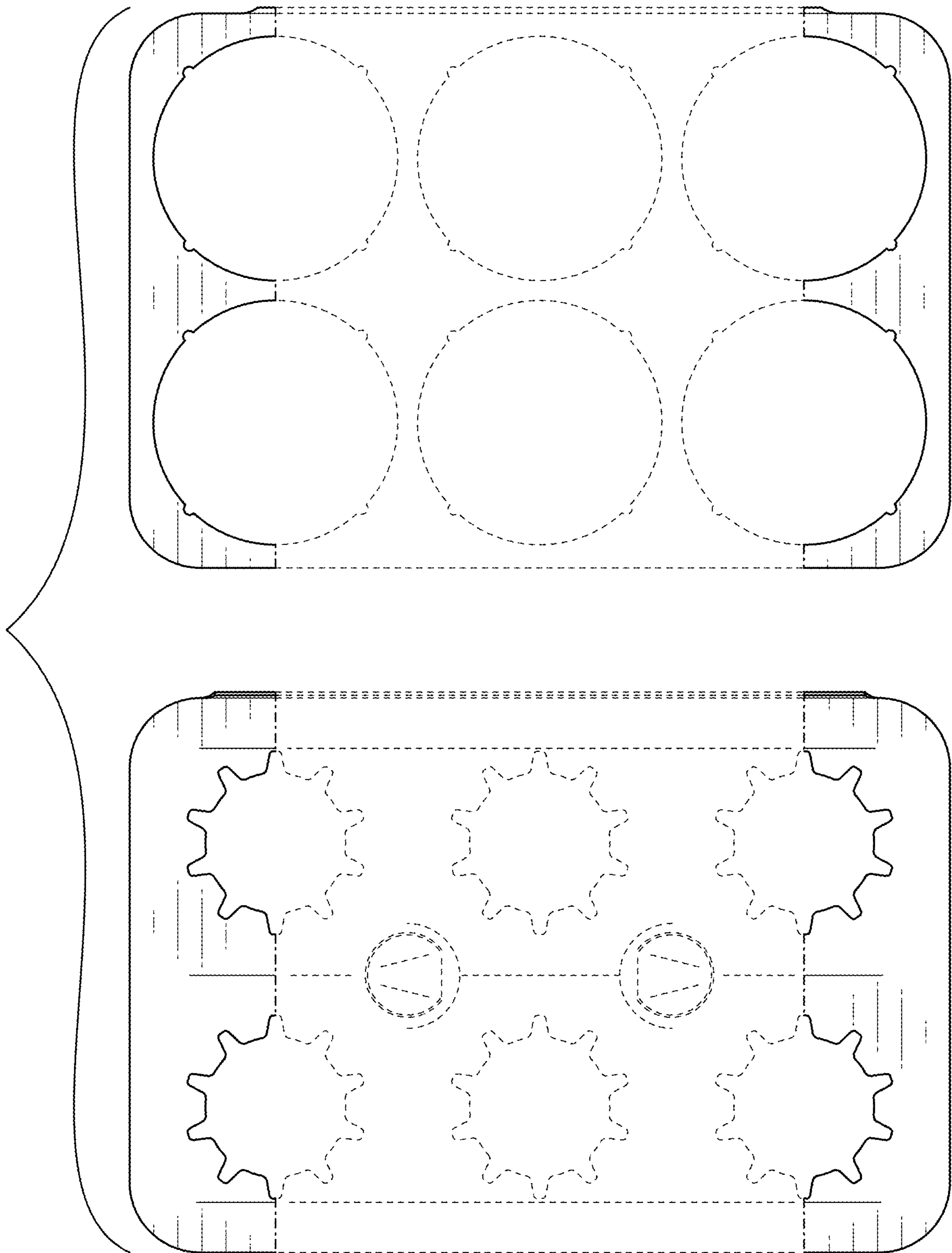


FIG. 15

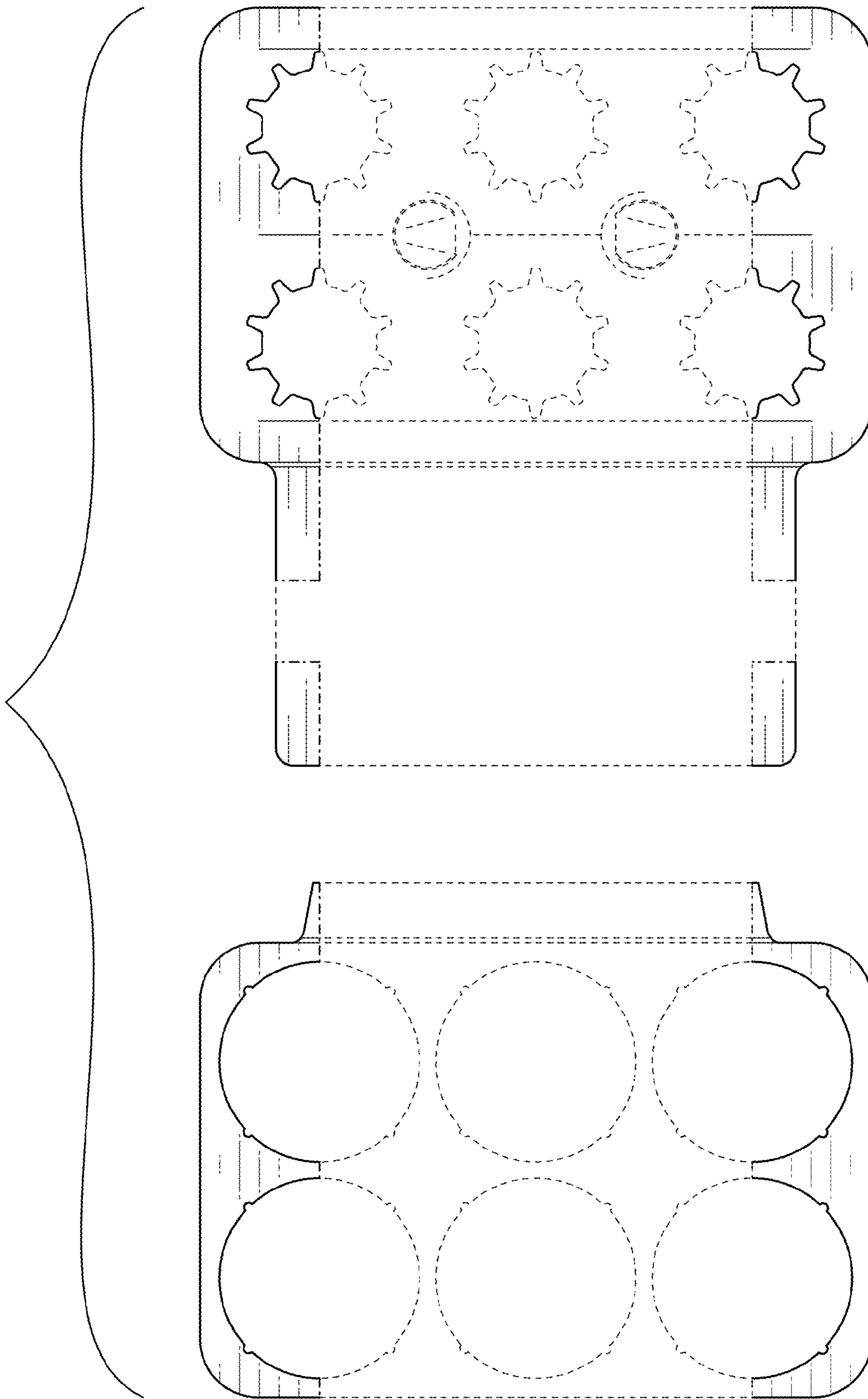


FIG. 16

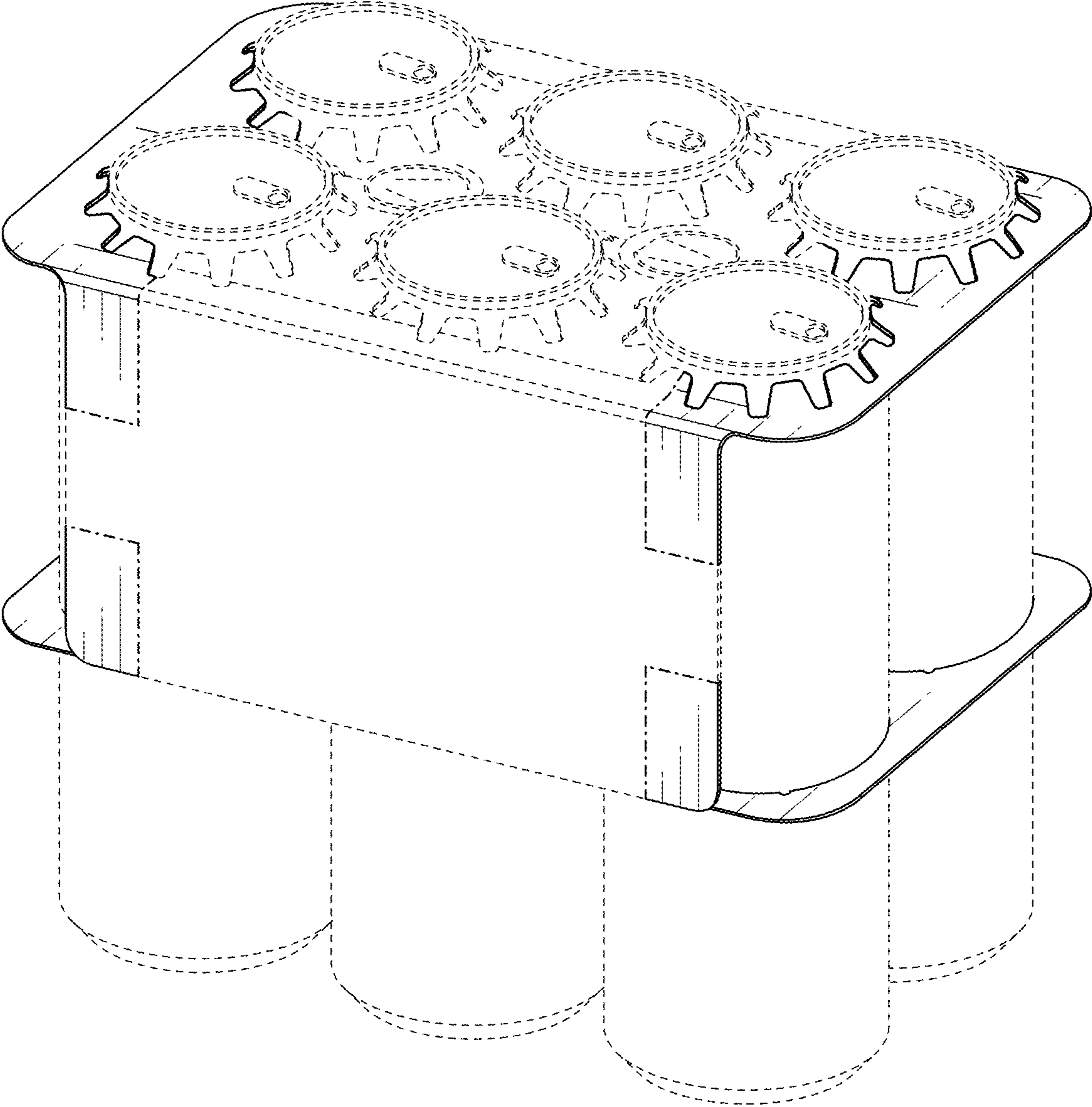


FIG.17

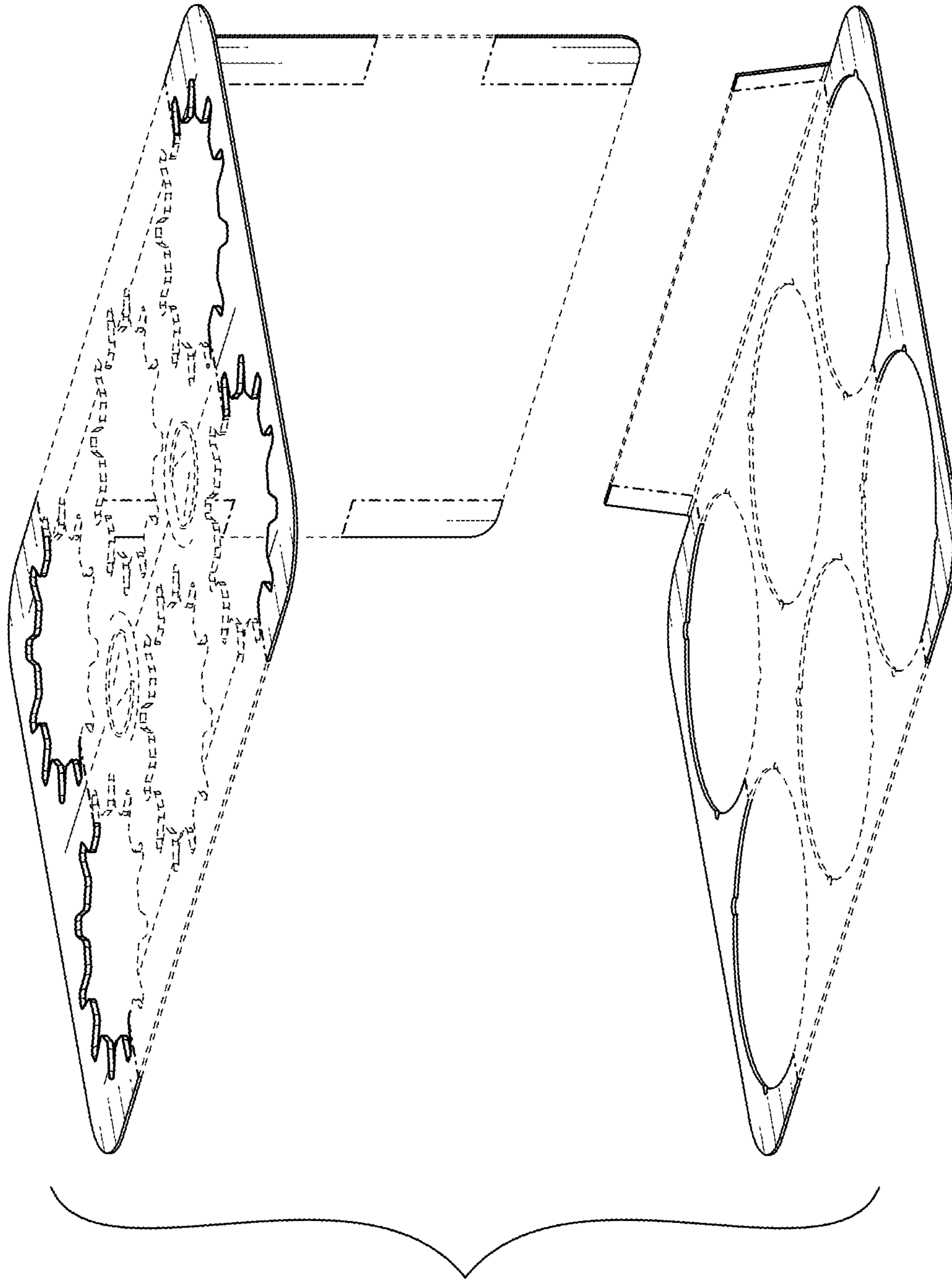


FIG. 18

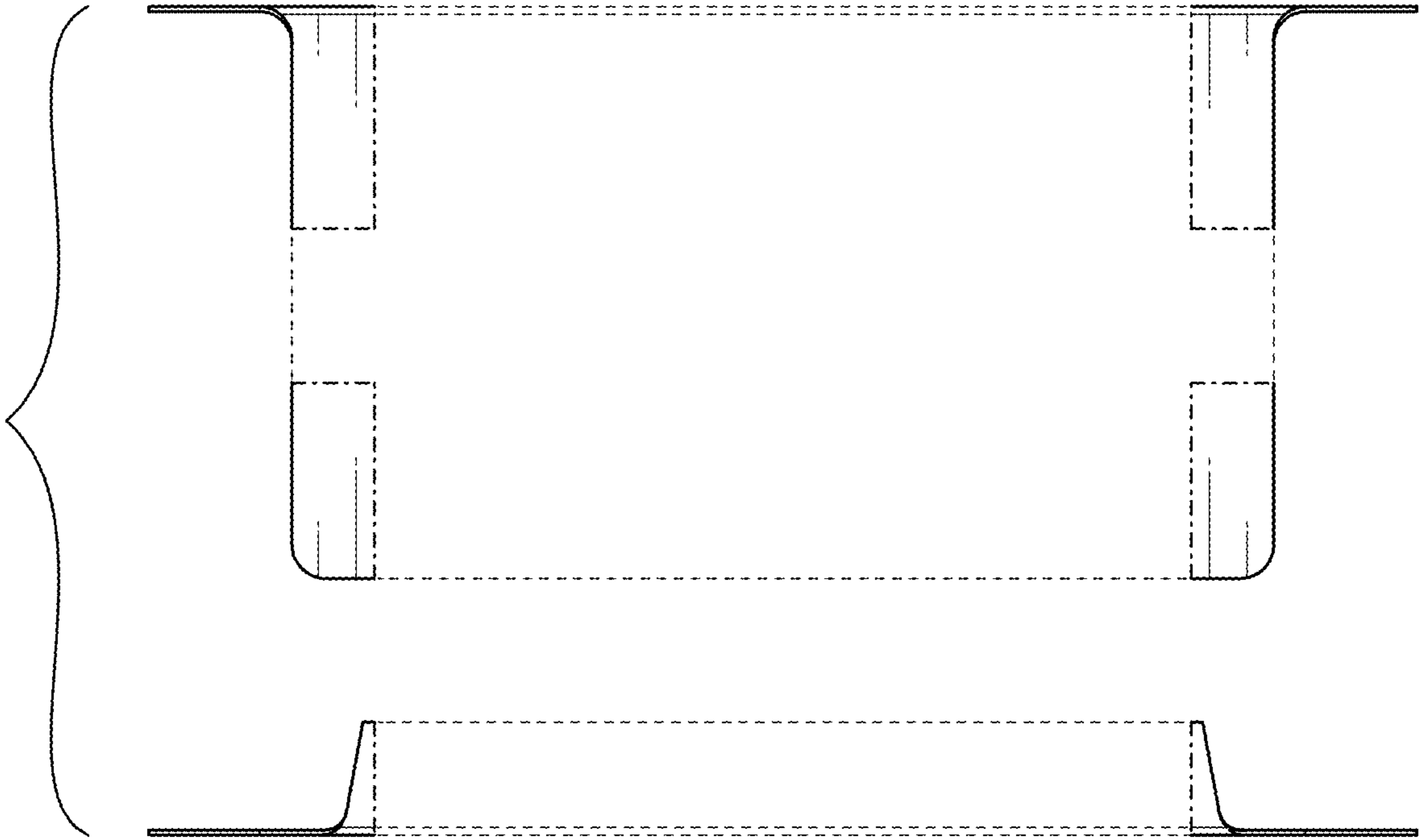


FIG. 19

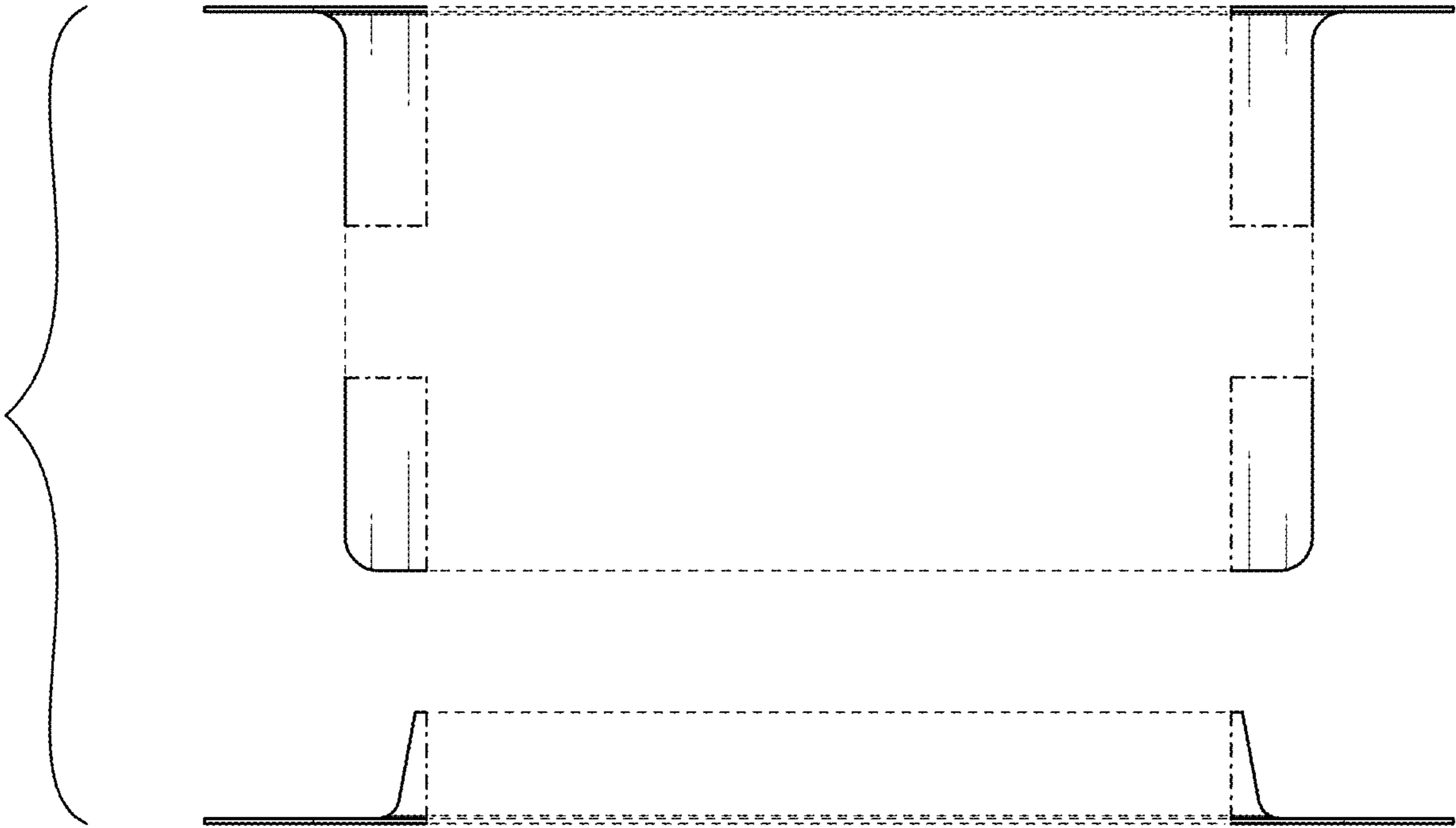


FIG. 20



FIG. 21

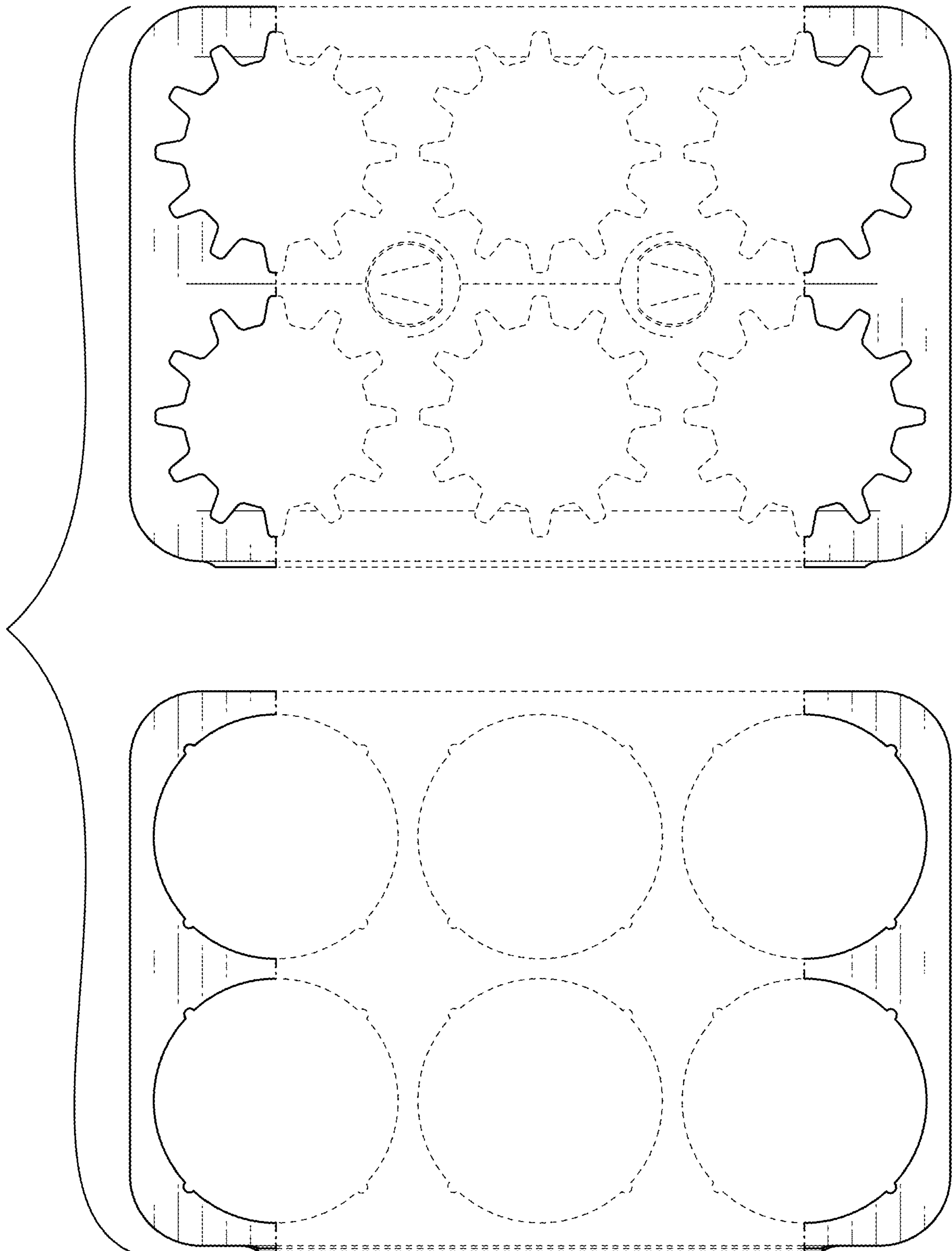


FIG. 22

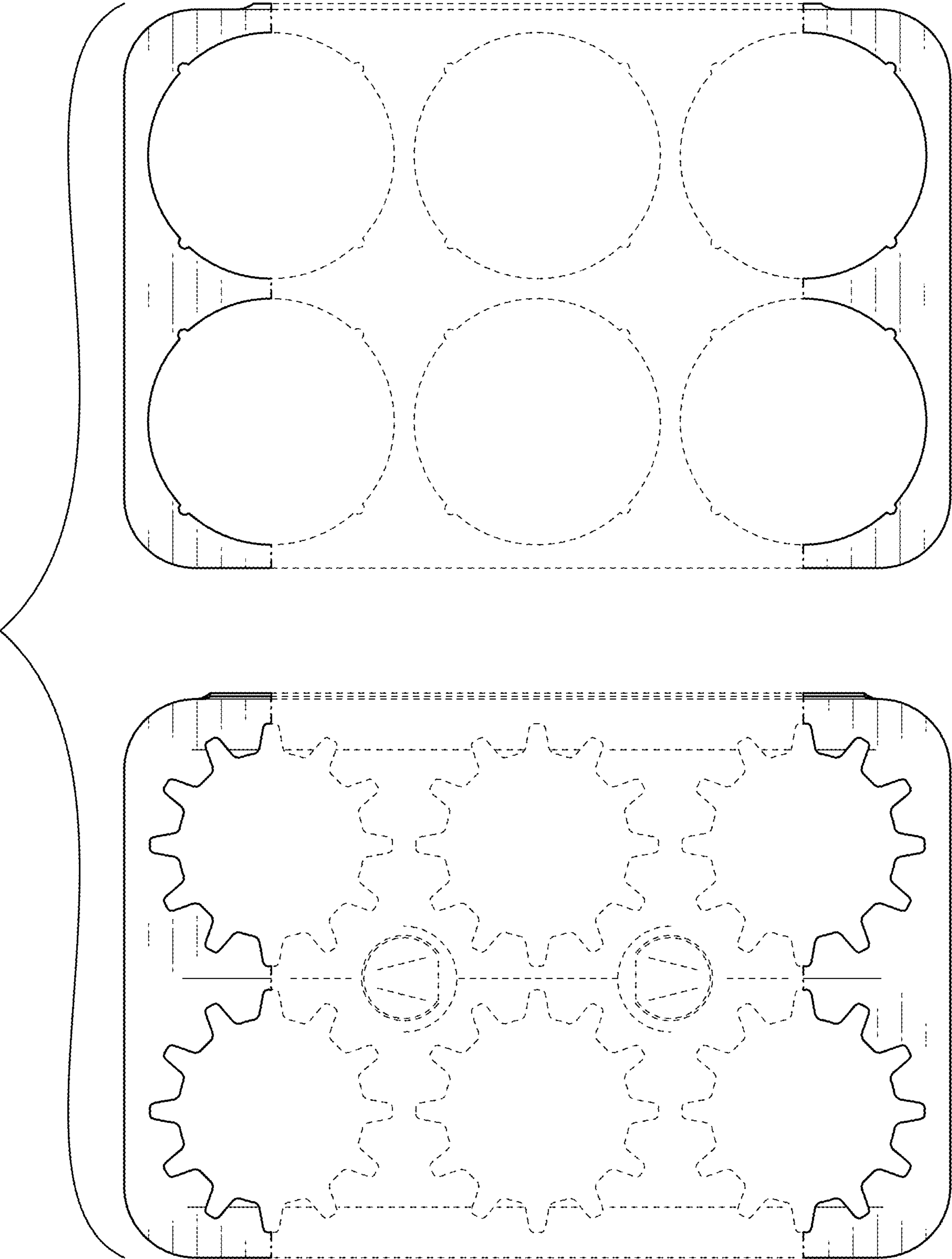


FIG. 23

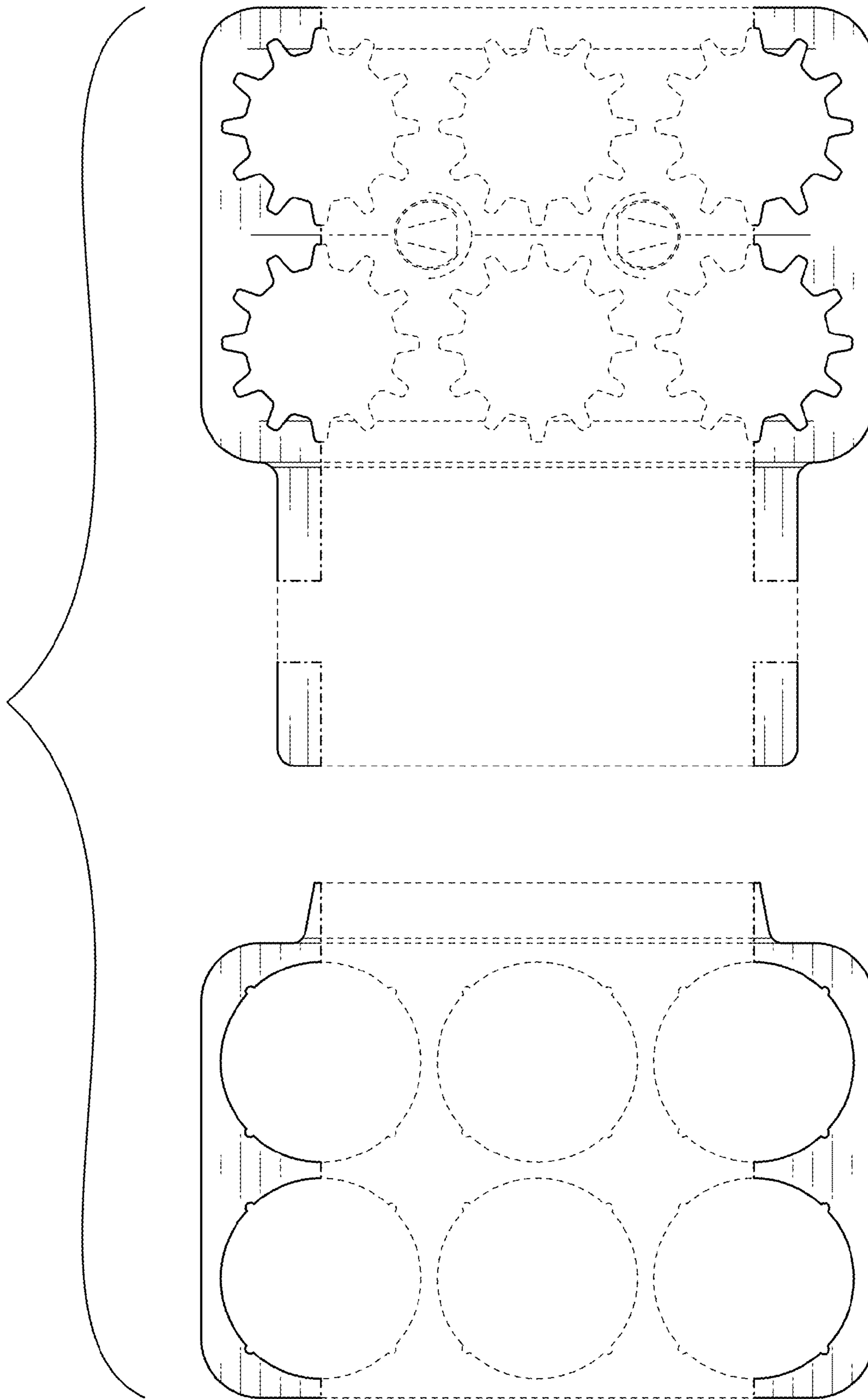


FIG. 24