



US00D982452S

(12) **United States Design Patent**
Rosenfeld

(10) **Patent No.:** **US D982,452 S**

(45) **Date of Patent:** **** Apr. 4, 2023**

(54) **PERFUME BOTTLE**

(71) Applicant: **Ashley W. Rosenfeld**, Miami, FL (US)

(72) Inventor: **Ashley W. Rosenfeld**, Miami, FL (US)

(**) Term: **15 Years**

(21) Appl. No.: **29/773,006**

(22) Filed: **Mar. 5, 2021**

(51) **LOC (14) Cl.** **09-01**

(52) **U.S. Cl.**
USPC **D9/559**

(58) **Field of Classification Search**

USPC D9/434, 435, 447, 454, 499, 500, 516,
D9/520, 521, 525, 529, 544, 549-558,
D9/572, 575, 723-724, 569, 570, 574,
D9/452, 559, 560, 561; D3/202, 215,
D3/316; D7/509, 510, 590, 608
CPC B65D 35/28; B65D 35/04; B65D 35/08;
B65D 35/36; B65D 35/38; B65D 5/001;
B65D 2543/00296; B65D 2543/00685;
B65D 2543/00555; B65D 79/005; B65D
25/42; B65D 1/04; B65D 21/0231; B65D
81/3205; B65D 1/40; B65D 51/18; B65D
1/02; B65D 1/0223; B65D 1/0261; B65D
81/00; B65D 2501/00; A01K 27/00; A61J
9/00

See application file for complete search history.

(56) **References Cited**

U.S. PATENT DOCUMENTS

D76,142 S * 8/1928 Liddell D9/566
D86,118 S * 2/1932 Fuerst D9/559
D92,185 S * 5/1934 Lindemann: D9/556
D105,981 S * 9/1937 Casey D9/447
4,248,901 A * 2/1981 Austin B65D 71/46
229/113
D283,397 S * 4/1986 Monod D9/545
D446,729 S * 8/2001 Renella D9/571

D526,567 S * 8/2006 Dalton D9/544
D605,948 S * 12/2009 Sposato D9/566
D626,421 S * 11/2010 Szymula D9/559
D639,667 S * 6/2011 Bogert D9/439
D649,470 S * 11/2011 Bakalis D9/571
D670,563 S * 11/2012 De Baschmakoff D9/554
D695,117 S * 12/2013 Kim D9/503
D711,236 S * 8/2014 Friesen D9/566
D764,298 S * 8/2016 Gordon D9/542
D790,350 S * 6/2017 Choi D9/559
D860,799 S * 9/2019 Vivas Carmen D9/529
D946,408 S * 3/2022 Mainguené D9/544

OTHER PUBLICATIONS

50ML Color Coating Silkscreen Printing Aluminum Perfume Hexa-
gon Bottle with Aluminum Cap. Online, published date unknown.
Retrieved on May 2, 2022 from URL: <https://www.everychina.com/p-z51e4852-90787956-50ml-color-coating-silkscreen-printing-aluminum-perfume-hexagon-bottle-with-aluminum-cap.html>.*

* cited by examiner

Primary Examiner — Omeed Agilee

(74) *Attorney, Agent, or Firm* — Malloy & Malloy, PL

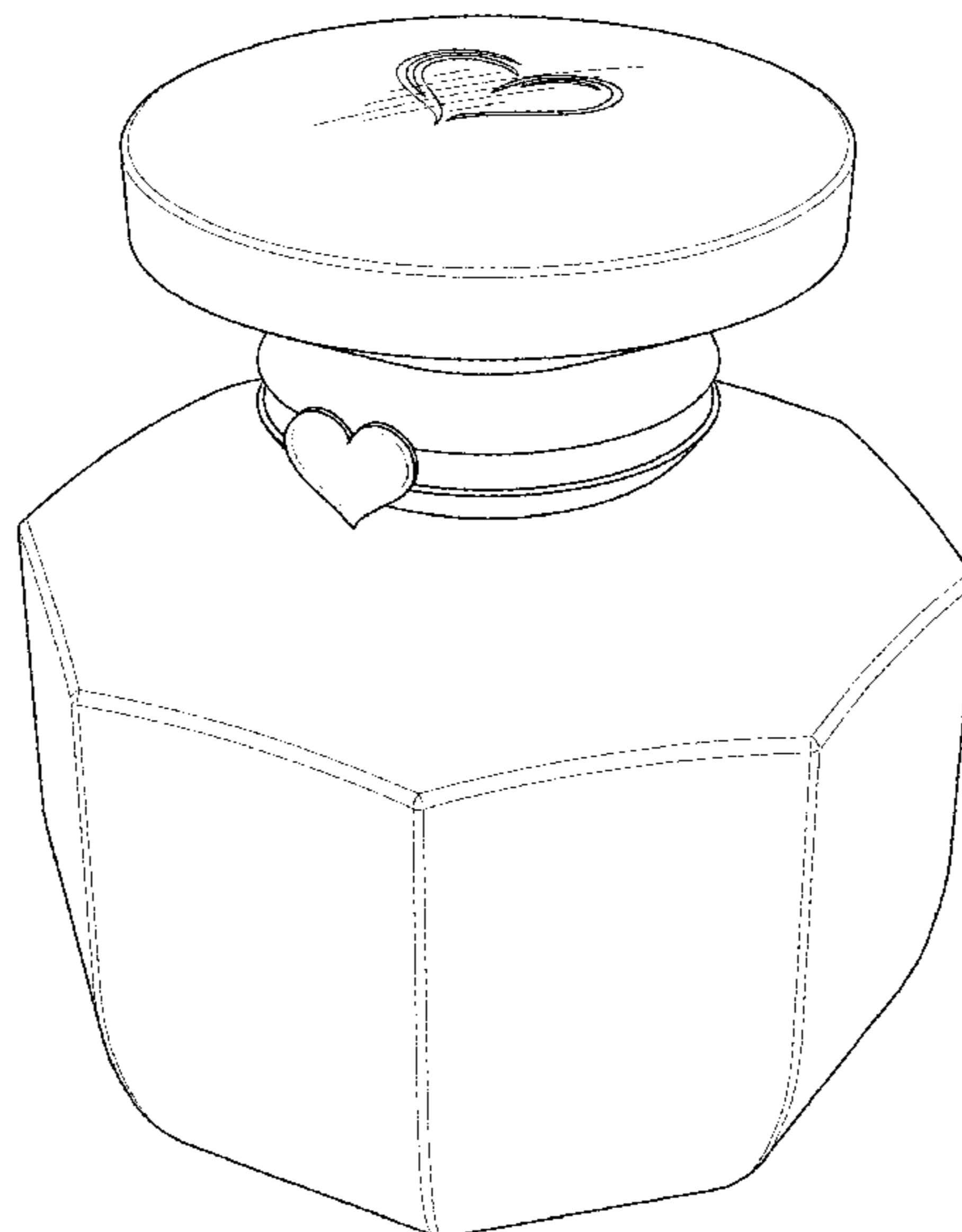
(57) **CLAIM**

The ornamental design for a perfume bottle, as shown and described.

DESCRIPTION

FIG. 1 is a front perspective view of my design;
FIG. 2 is a front elevation view thereof;
FIG. 3 is a rear elevation view thereof;
FIG. 4 is a right side elevation view thereof;
FIG. 5 is a left side elevation view thereof;
FIG. 6 is a top plan view thereof; and,
FIG. 7 is a bottom plan view thereof.
The dot dash dot broken lines depict the boundaries of the claim and form no part thereof.

1 Claim, 7 Drawing Sheets



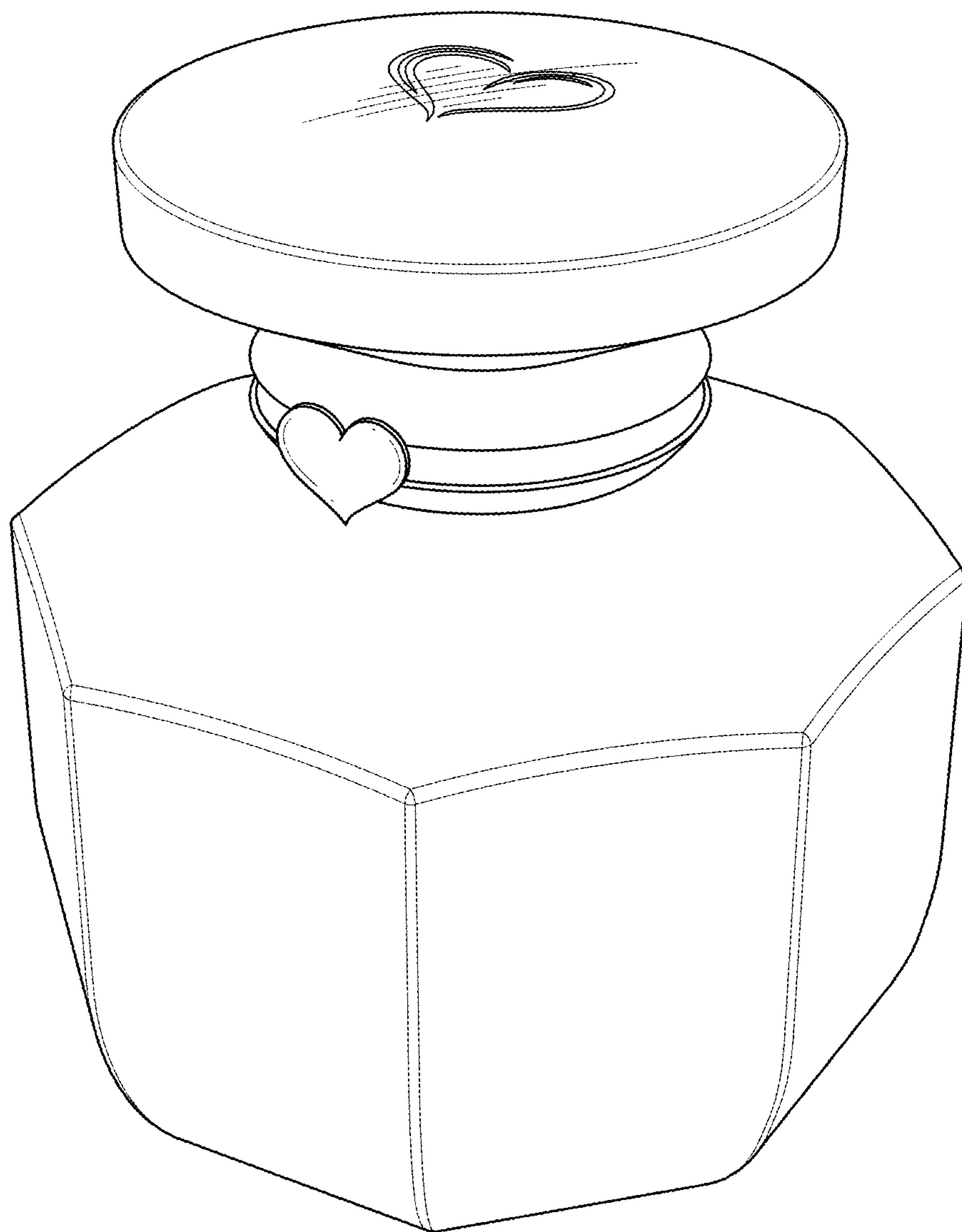


FIG. 1

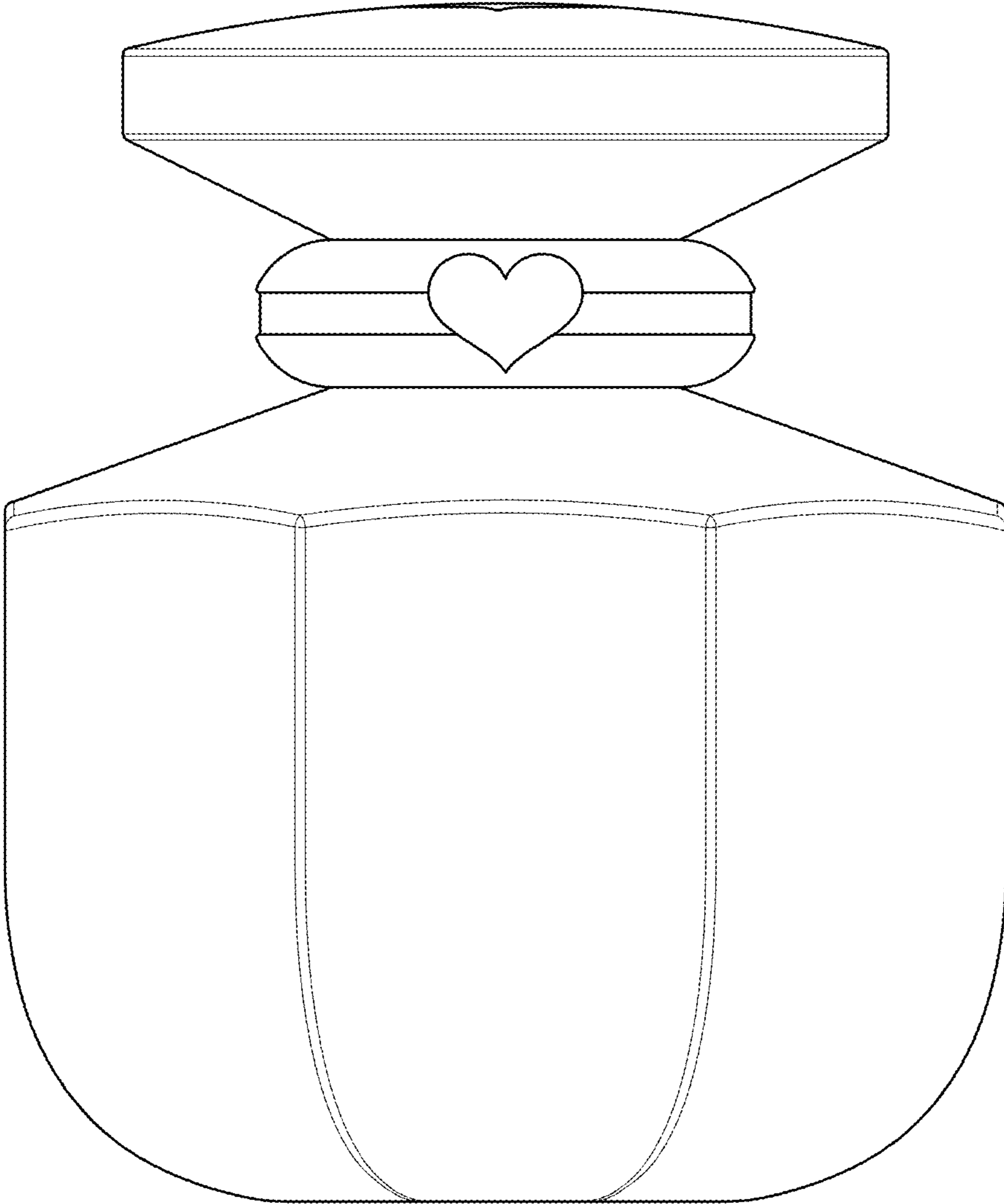


FIG. 2

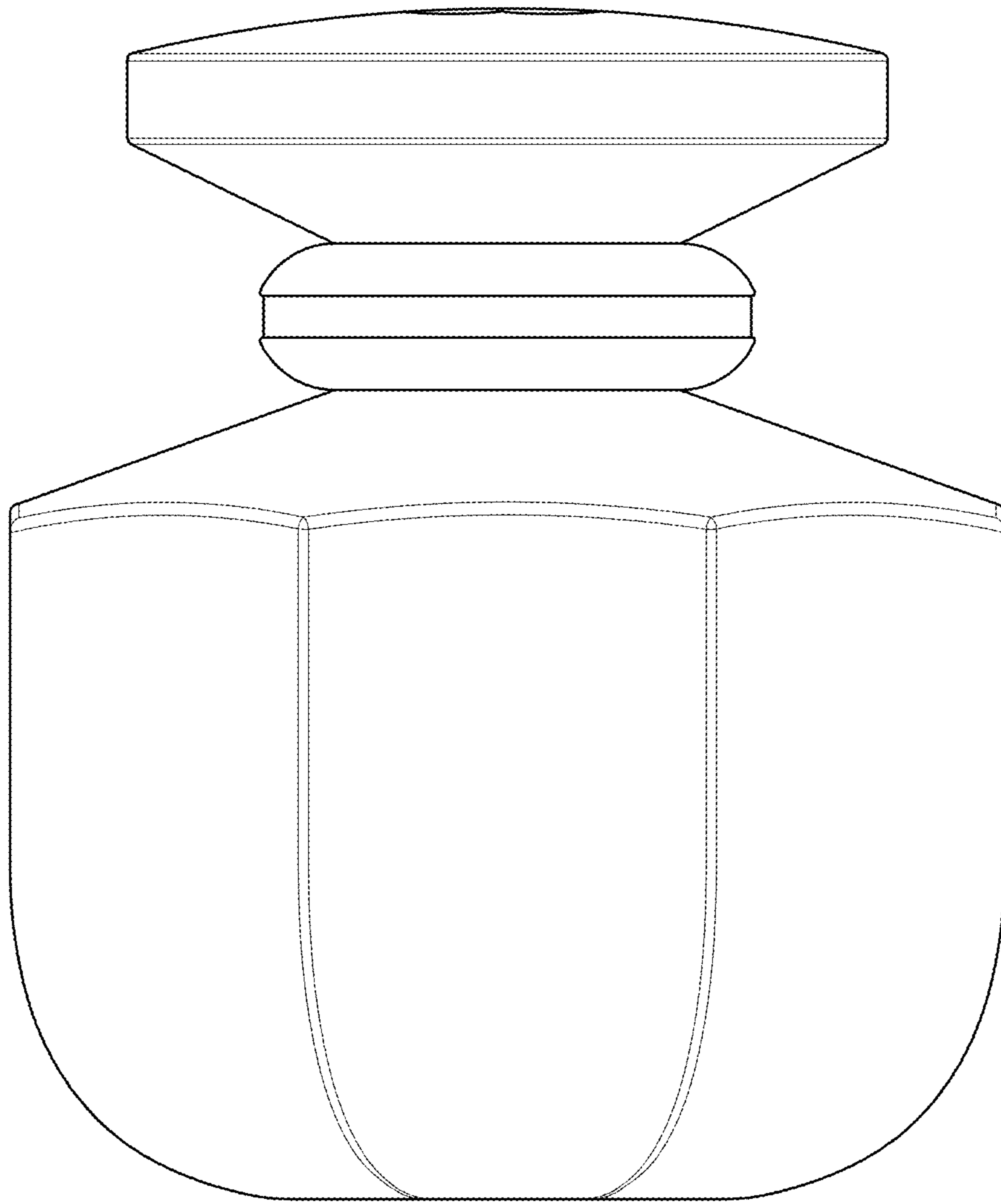


FIG. 3

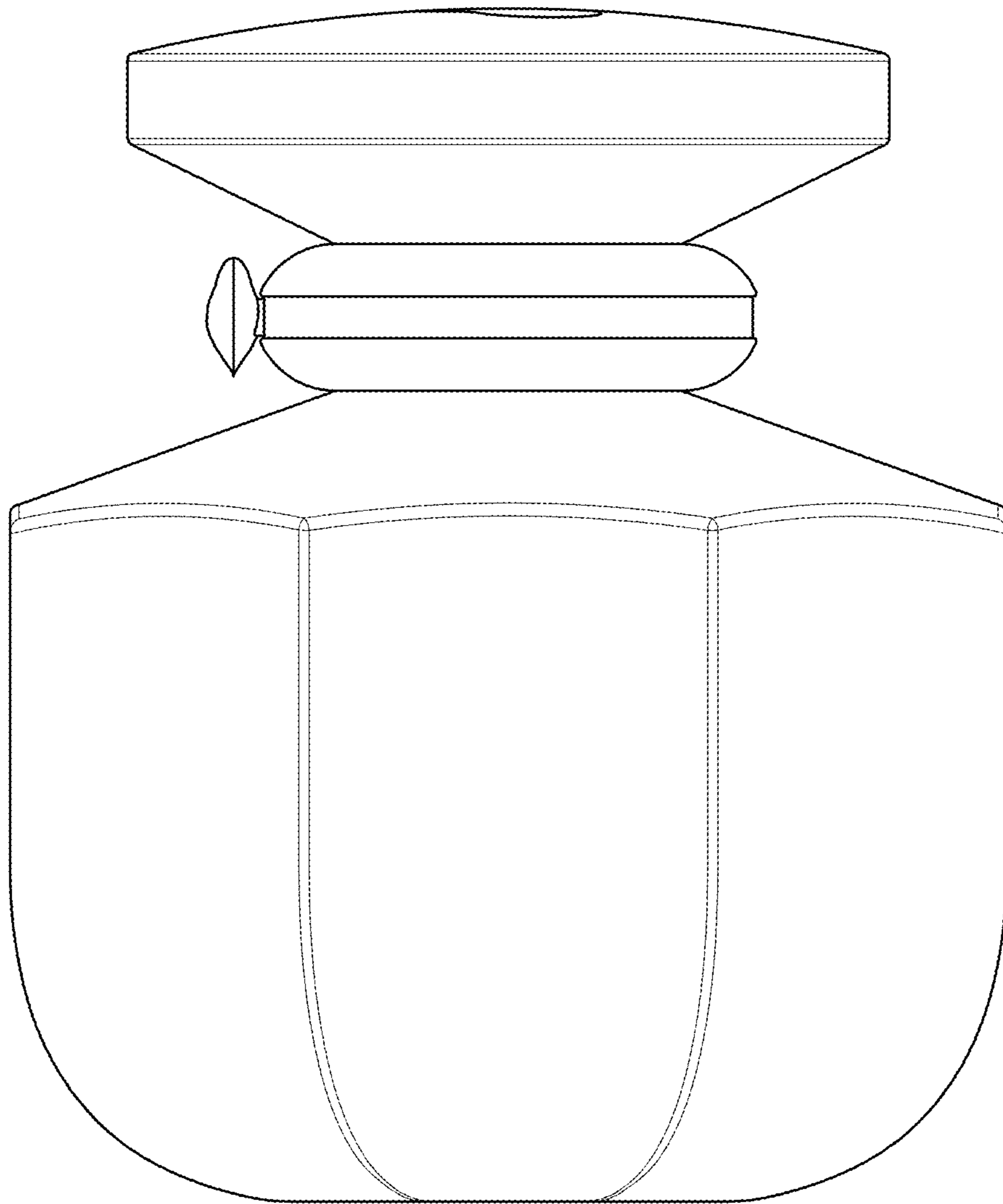


FIG. 4

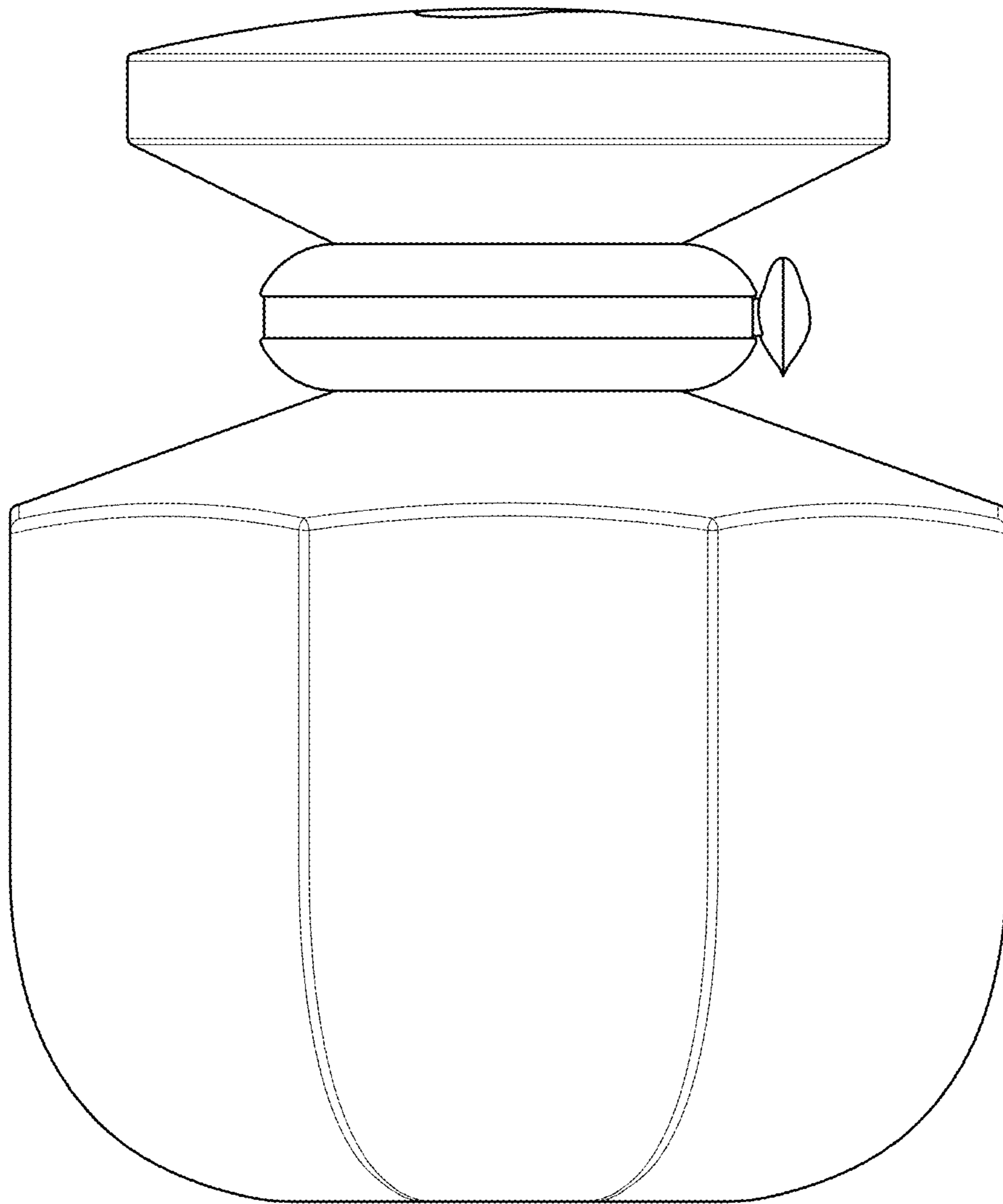


FIG. 5

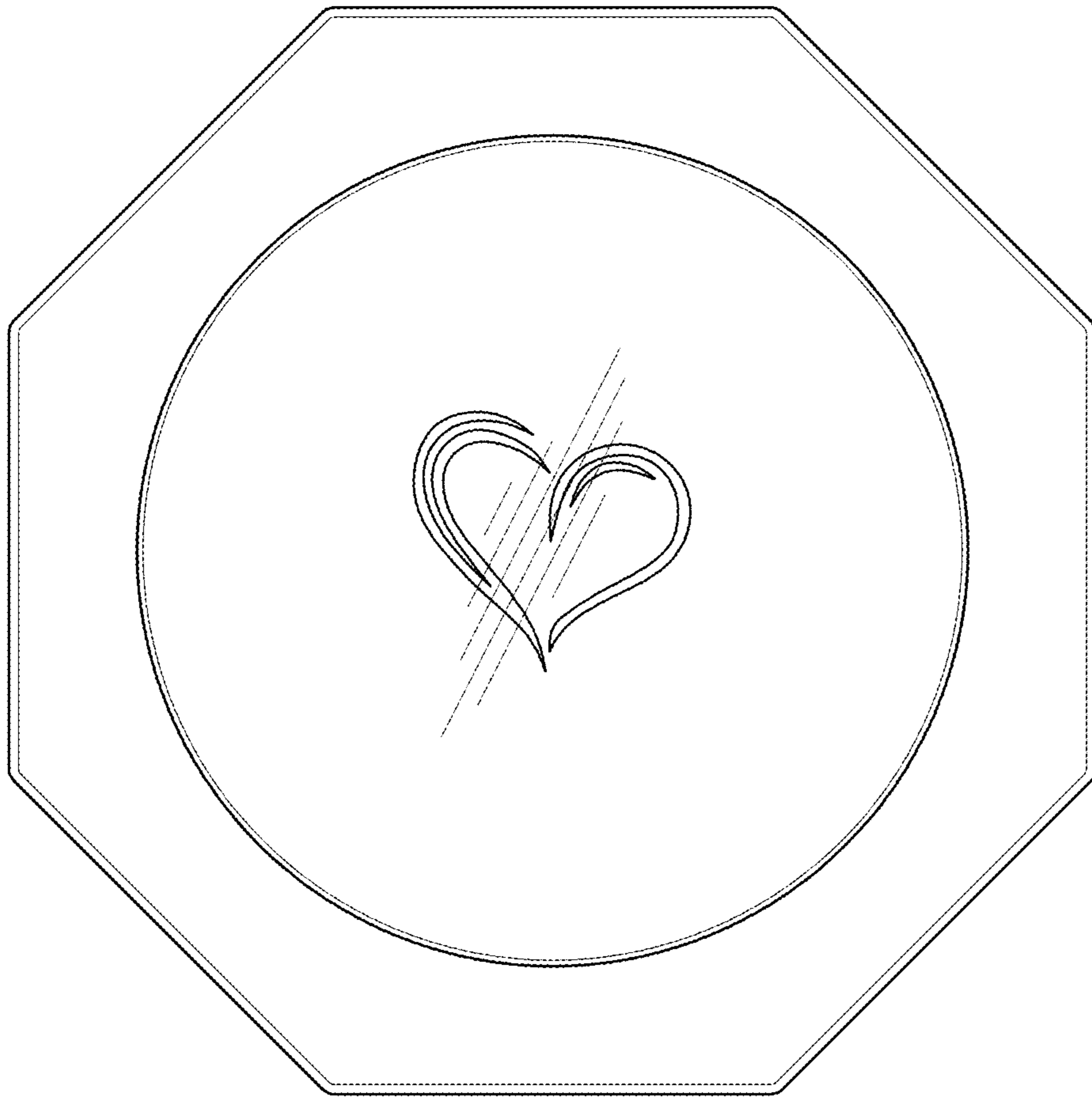


FIG. 6

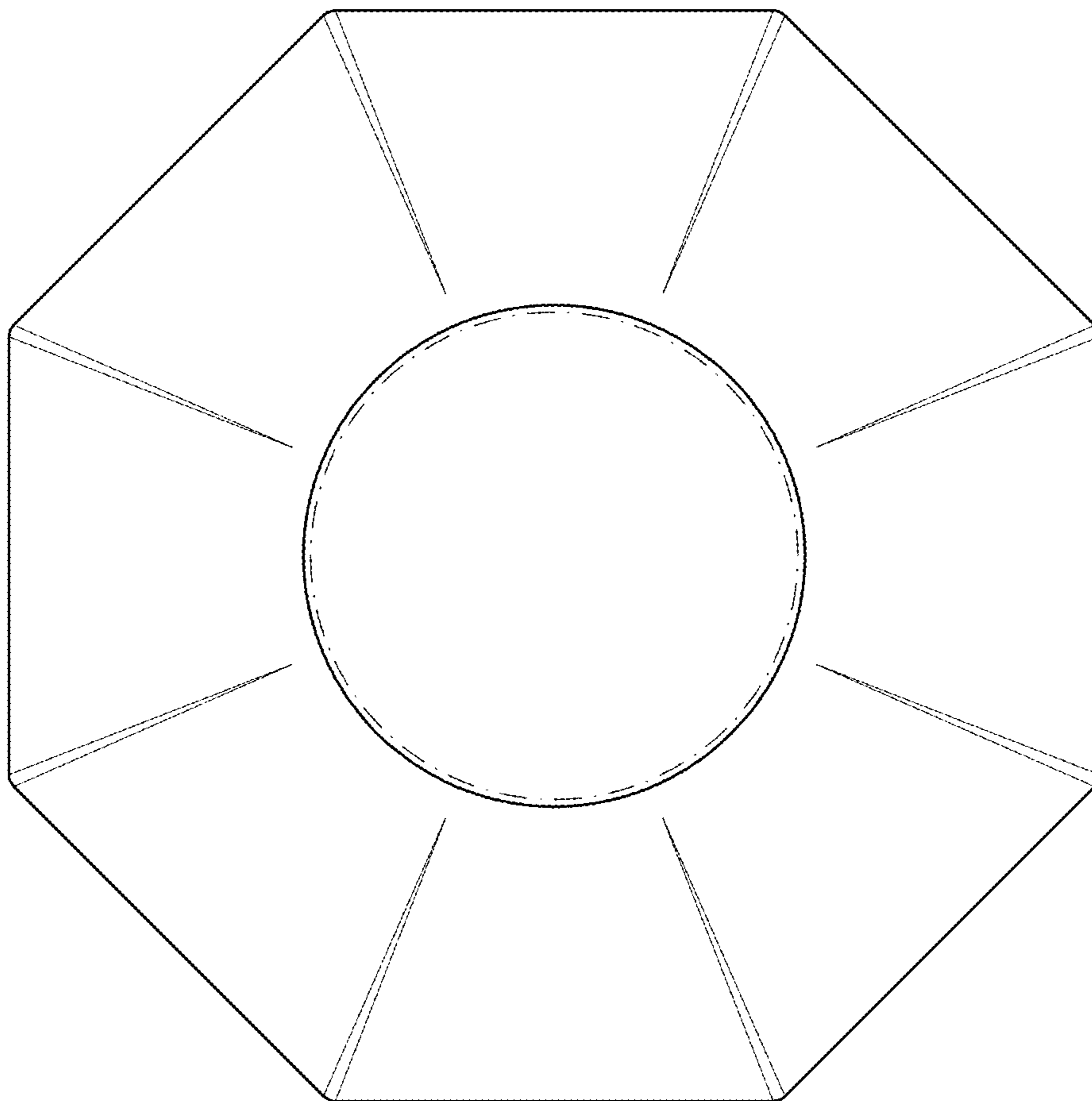


FIG. 7